

"AIRMATE"

MANUAL

Dear client,

Thank you for choosing the Airmate console.

The Airmate is designed by specialists in the field of radio broadcast and is intended to be used as an 24 hour "On-Air" console as well as a production console.

We are confident that you will be using the Airmate for many years to come, and wish you much success.

We always value suggestions from our clients, and we would therefore be grateful if you could complete and return the questionnaire included at the back of this manual, once you have become familiar with your Airmate. We will certainly learn from your comments, and very much appreciate your time doing this.

With kind regards,

**Duco de Rijk
PRESIDENT**

The Airmate is equipped with 8 low-noise mic balanced input modules with the following features.

- * Two line inputs with optional R.I.A.A. plug able pre-amp
- * A professional low noise balanced mic pre-amp with 48 volt phantom powering.
- * A gain control
- * A three band equalizer
- * A start (ON) switch
- * A stereo CUE switch for pre fade listening
- * Eight 100 mm professional faders.
- * Stereo 51mm master fader.
- * Special broadcast section with Self-op switch
- * Clean feed outputs/Announcer output and Talkback circuit
- * Red Light output

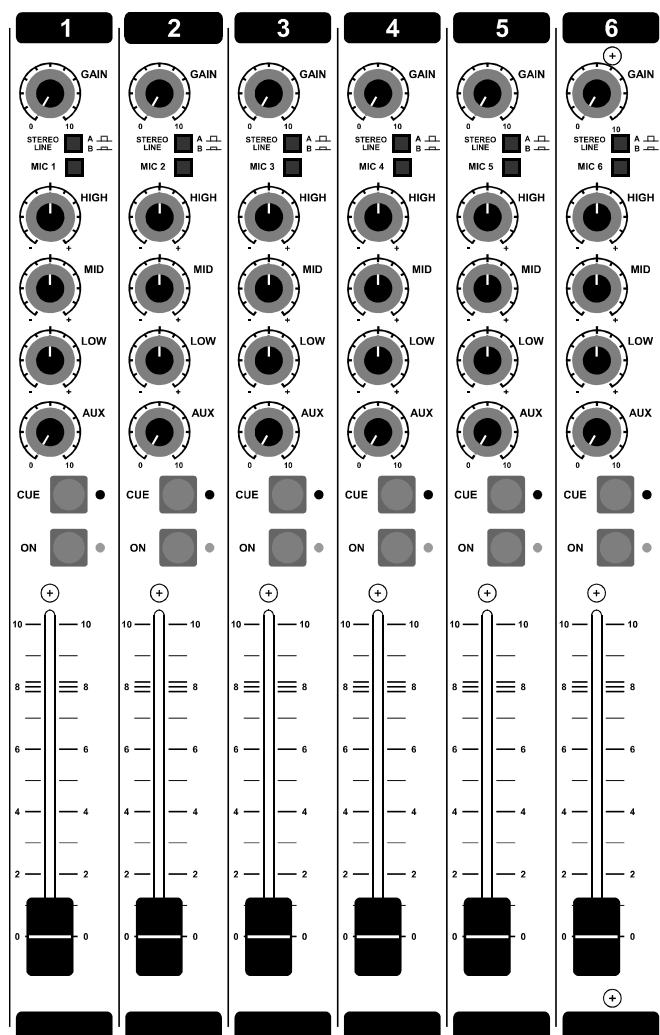
INPUT MODULES

Every module has three selectable inputs. There is a microphone input on XLR, and two stereo line inputs on cinch connectors and a Start connector.

The mic input is a professional balanced input circuit with 48volt phantom powering for condenser mics , this means that you now have a studio-class microphone-channel at your disposal. A microphone is an instrument that turns acoustical signals in electrical ones, without any amplification (in most cases). These very small signals have to be amplified without any noise and interference from the mixing table. The Airmate is equipped for this purpose. Instead of one sensitive connection at the input channel, the Airmate has 2 connections per channel (balanced). This is a major difference between the Airmate and other mixers. It is now possible to connect the 2 wires in your microphone cable to the balanced input as follows:

- One wire to pin 2 of the XLR connector.
- The other wire to pin 3 of the XLR connector.
- The shielding on the remaining pin 1 of the connector.

What are the advantages of this system? A microphone cable connected in this way is completely insensitive for outside interference.



STEREO LINE

The stereo line inputs need to be connected as follows.

The left cinch connector is the left input and the right Cinch connector is the right input. The shield needs to be connected to the ground.

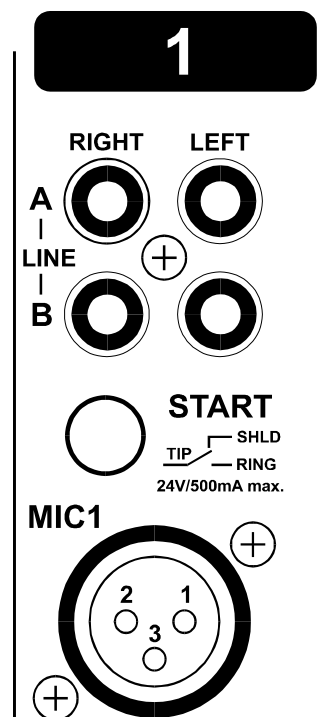
The START switch has two active connections to be wired. The tip and ring are shorted when the ON switch or optional fader switch is activated. The controls of the input modules have the following functions.

GAIN

With the gain, the source level is adjusted to the internal mixer level. The module has a three band equalizer to control the high and low frequencies individually in bad acoustic environments.

Below the equalizer you will find the stereo CUE switch (Pre Fader Listening), this switch gives you the possibility to check the signal before you mix it with your other signals .

The ON switch is used to start turntables and cassette decks as well as jingle machines. Last control is the 100mm channel fader, this is the actual control to mix the signals. All channels have long throw stereo faders.



INPUT CONNECTORS

On the back of your Airmate you find six connectors, one has already been discussed, that was the balanced or symmetrical microphone input, the other two are the stereo line inputs.

On line B you can buy an optional available R.I.A.A. correction amp to be able to mix turn tables. The level can be set by the gain control to match with every available cartridge.

There is a stereo "CUE " switch on the front to cue the incoming signal. Once you have done this, you can start the turntable with the ON switch. These switches quick start turntables through the remote jack by a continuous contact action at the back of the mixer. If your turntable only needs a puls to start ask your dealer to modify the internal circuitry to change it into a momentary action, so you can use it as a puls start switch.

****NEVER CONNECT THE MAINS TO THIS REMOTE-JACK****

Connections on the START connector can only be made with a maximum of 24 Volts by 50 mA. Please contact your dealer in case of doubt.

SPECIAL AVAILABLE OPTIONS IN YOUR AIRMATE MIXER

On the input PCB of your Airmate are several jumpers that can be changed to enable different configurations of the channel settings.

We advice you to have this done by your local dealer if the need arises.

The following jumper settings can be selected:

1. R.I.A.A. correction amp on Jumper J 12 and J 13.
2. Low cut filter on Mic input only through Jumper J 3.
3. 15 volt phantom power via Jumper J 15.
4. Stereo Aux send pre or post selectable via Jumper J6 (post is default).
5. Start jack de-activating by Jumper J 11 (1-2).
6. Monitor Muting active by On switch via Jumper J 11 (3-4) (for broadcast).

THE MASTER SECTION

The Airmate master section houses all the controls for the summing amps and master inputs such as Aux return, 2-Track return, and master outputs. All individual functions we shall describe here.

LEDBAR METERS

The master section has two large 21 segment meters (VU meters) reading all in and outgoing signals. The attack and release time constants conform international standards, being 300mSec for attack and decay.

The green area in the led bar is the safe area, and the yellow area the range that normally would be on when properly aligned.

The output of your Airmate is +4dBu (1.22v) when the last green led is on.

MASTER MONO SWITCH

This switch turns the stereo signal into mono for both main outputs. It is a convenient way of balancing the left right signal before going to stereo. Also when one side of the stereo signal is missing the mono switch is very helpful.

AUX SEND

The stereo Aux send master controls the sum of the entire individual Aux send signals coming from the input channels.

AUX CUE

The Aux cue redirects the master output signal and led bar indication to the Aux output that gives you the total outgoing signal of the Aux master.

It is necessary to turn the master control up to have an outgoing signal.

MONITOR

The monitor control is fed by the master outputs pre master fader.

It is an extra stereo output for another sound system or recording device.

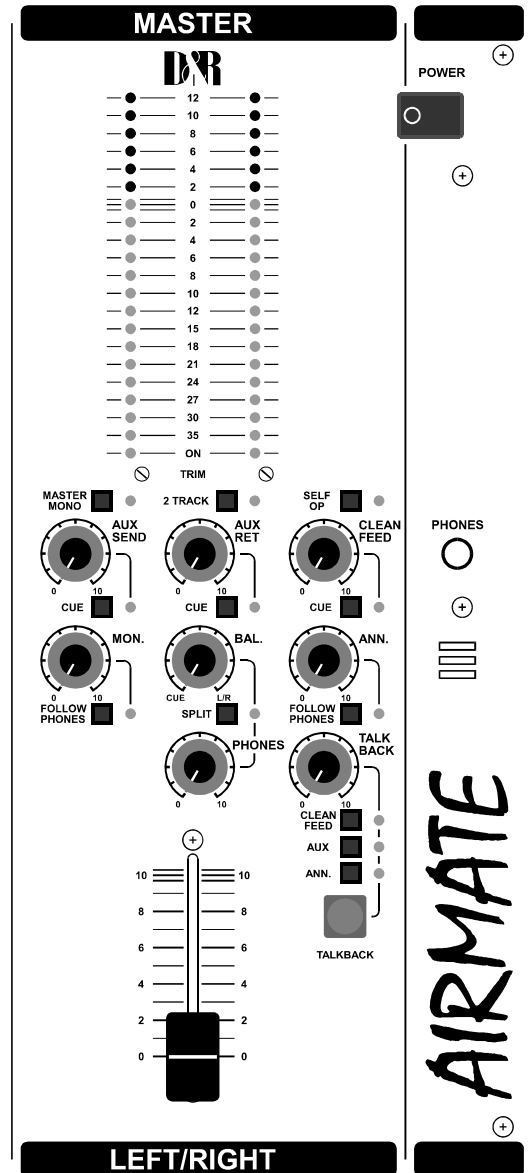
FOLLOW PHONES

This switch actually is an input selector for the monitor output. Instead of listening to the main outputs, it is also possible to listen to the phones output. This feature is used by DJ's that do not want to use headphones.

2-TRACK

This switch replaces the incoming left/right signal or Cue signal by an externally connected source on the 2 track input connectors. Its sensitivity is -10dBv (300mV).

Note: The Cue system will interrupt the 2 track when activated.



AUX RETURN

This stereo input is intended to be used for returning reverbs. This input is directly connected to the stereo main mix buss and can be used to connect other mixers without loosing valuable input channels.

CUE AUX RETURN

This switch enables you to stereo pre listen to an incoming Aux return signal.

BALANCE

The balance knob controls the balance between the main stereo output and the stereo Cue signal when selected.

Note: The split switch de-activates the balance control.

With the balance control anywhere between Cue and L/R you always have control over the main output signal even when a Cue switch is activated.

SPLIT

When the split function is activated the following listening situation is created.

The left side of the phones output gives the summed Cue signal and the right output gives the summed left/right signal (pre fader).

The balance control has no influence on this configuration anymore.

PHONES

The phones output (located on the front panel) has an automatic input selector.

Normally the left/right output is heard until a Cue switch is activated anywhere in the console that immediately takes over the left/right signal. The led bar switches accordingly with this action. We advice you to use headphones with an input impedance not lower than 400 Ohm to avoid distortion. An 8 Ohm headphone will produce lots of distortion when cranking up the level due to its low impedance load. It is a load equivalent to the load that loudspeakers normally present to power amps and as you know the Airmate is no power-amp, sorry.

MASTER FADER

The Airmate master fader is a 51mm model controlling both left and right signals at the same time.

SELF-OP

This switch mutes the monitor output (your control room monitor) as soon as a microphone input is opened. At the same time a really is activated which is connected to the Red Light output connector.

CLEANFEED OUTPUT

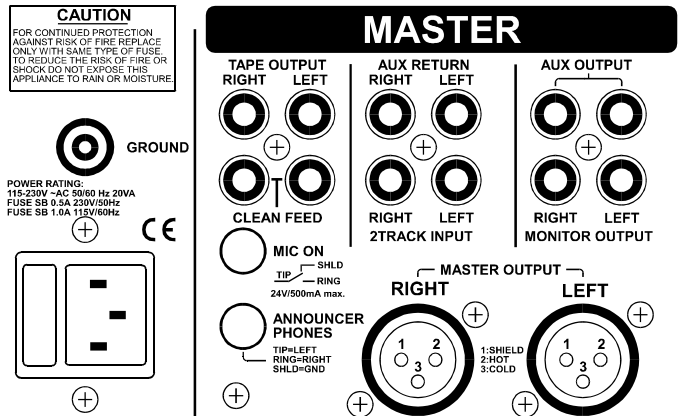
The Clean feed output sums all signals coming from the input modules (except for those inputs where jumper J7 is not activated). Clean feed signals are equivalent to Aux send signals, but are always post fader. By jumpering only those channels that are not returning Telephone Hybrid signals you avoid feedback and have a perfect set-up for talk shows.

CUE CLEANFEED

All outgoing signals from the Clean feed output can be monitored by way of the Cue switch.

ANNOUNCER OUTPUT

In the up position of the "follow phones" switch, the input of the announcer is fed by the main left/right signal pre master fader. In the depressed mode of the "follow phones" switch the Announcer output is fed by the same signal as the phones output is.



FOLLOW PHONES

This switch is the input selector of the announcer output, see above description.

TALK BACK

The Talkback circuit has a built in electret microphone with extensive routing to most of the outputs.

By selecting one or more of the routing switches you can communicate to the outputs.

The Talkback level is independent upon settings of the master controls of the Clean feed and Announcer outputs. It is however subjected to the master level of the master Aux output control. The Talkback switch has a momentary action to avoid being unwillingly in the talkback mode.

MASTER CONNECTORS

The master connector panel houses 12 Cinch connectors 2 jacks and 2 male XLR connectors where all interfacing takes place.

Furthermore the mains connector with integrated fuse holder is located in this section.

A ground terminal completes the back panel connector section.

TAPE OUTPUTS

The first connectors on the left are the tape output connectors for left and right for connecting a tape deck or DAT recorder. Output level is -10dBv (300mV), the signal is pre master fader.

CLEANFEED OUTPUTS

Direct beneath the Tape outputs are the Clean feed cinch connectors (some Airmate models indicate RIGHT/LEFT beneath these Cinch connectors).

RED LIGHT

Direct beneath the Clean feed cinch connectors is a stereo jack (some models indicate Clean feed) that can control a red light indicator. This stereo jack is connected to a change over relay. This relay is capable of controlling external Red light circuits as long as it does not take a higher voltage than 24 volt and the current does not exceed 50mA.

NEVER CONNECT 220 VOLT AC TO THIS JACK!!

The C.C. (Center Contact) of the internal relay is connected to the Tip of the stereo jack.
The N.O. (Normally Open) contact is connected to the ring of the jack.
The N.C. (Normally Closed) contact is connected to the "ground" of the jack.

AUX RETURN

Right from the tape connectors you see the Aux return connectors. These inputs are controlled by the Aux return knob. The signal is directly connected to the master main mix busses. You can connect reverb returns or other stereo signals without using any input module. The input level should -10dBv as a minimum.

AUX OUTPUTS

The aux outputs are on two Cinch connectors providing you with the signal coming from the aux sends in the channels.

The level is +4dBu (1.22 volt).

You can connect inputs from reverbs to these Cinch connectors or use it as a monitor output, when you have jumpered the Aux send in the channels pre fader.

2-TRACK INPUTS

These inputs are intended to return stereo machines in the monitor section.

Signals from DAT machines or tape decks. The level needs to be -10dBv (300mV) as a minimum for optimum signal to noise.

MASTER OUTPUTS

The master outputs are on male 3 pin XLR connectors in a ground compensated arrangement. Ground compensated means that all advantages of balancing are maintained when connected to a balanced input of a power amp or professional tape deck or DAT recorder. The output level is +4dBu (1.22 volt).

GROUND CONNECTOR

This terminal is intended for grounding Phono players or it is to be used as central ground pin in complex set-up.

MAINS CONNECTOR

The mains inlet is a euro type connector with built in fuse. Your Airmate can accept voltages between 200 volts and 230 volts 50/60Hz.

The built in fuse is a slow blow type of 1 Amp. never replace this fuse by higher values.

In case of 115 volt local power the value of the fuse needs to be increased to 2 Amps.

SETTING UP ROUTINES

- Connect a power-amp, recorder or transmitter to the left/right outputs.
- Connect a high impedance headphone to the "phones"-jacks on the front.
- Connect the microphones as described.
- Act like wise with turntables, tape decks and jingle machines.
- You can connect a D&R Telephone Hybrid to the Clean feed output.
- Be sure that Jumper J7 is on position 3-4 to avoid feedback when returning the Telephone Hybrid on that channel.
- Connect a red light indicator when there is a need for it.
- The Announcer output can feed a headphone directly.

- Now that everything is connected, follow the adjustment procedure.

(Note; for mics , only activate the red mic switch, for line level on input all switches in

- Put on your headphones and turn the headphone-volume control to "12 o'clock" position.
- Turn all the gain-controls and the master-control to the left.
- Set all equalizer-controls to the "12 o'clock" position.
- All pushbutton-switches should be in the up position. (See above).
- Switch on the power-supply, the first led in the led bar should be on.

SETTING UP AN INPUT CHANNEL

- Depress the CUE switch in a channel that is connected to a source.
- Now slowly turn the GAIN control clockwise until you hear and see the input signal on the led bars in the master section.
- You can change the input sound by adjusting the equalizer-section.
If you have adjusted the equalization, once again check the level on the led bar, because increasing specific parts of the frequency spectrum can easily add more gain to the signal.
- The led bar indication has to be between 0 dB and +6 dB (the yellow area) to get a proper level on amplifiers or tape machines.
- The led bar is a VU meter indicating the absolute level that enters the console.
It is calibrated to indicate 0 dB on the scale corresponding with a +4dBu output level.
- Release the CUE switch so the led bar now reads the output signal again.
- Now push the ON button to connect the input signal to the fader.
- Now fade to the "8" position screened alongside the channel faders and fully turn up the master fader. Further volume adjustments have to be realized on the power-amp.
- The other inputs are likewise adjusted, using the "CUE" switches to pre fader listen the connected sources and usage of the input gain for precise adjustments.

Be carefully not to place the Airmate near heavy power transformers, as used in power amps etc, this may cause hum, in spite of the thick metal case.

MIC INPUTS	XLR connector balanced impedance 2 kOhm. sensitivity -60dBu. Pin 1 = ground. Pin 2 = hot (in phase). Pin 3 = cold (out of phase). +48 volt phantom
LINE A/B	Cinch connector, sensitivity -20dBu to +20 dBu. sleeve =ground.
DISC INPUTS	On B inputs only when optional R.I.A.A. pre-amp is installed. 47kOhm, 0.5 mV to 10 mV.
START REMOTE	Stereo jack, Tip is a change over contact between sleeve and ring. NOT FOR 110/220 VOLT SWITCHING!!!!!! <u>It can only switch 24V/50mA max!</u>

MASTER OUTPUT CONNECTORS

MAIN	XLR male connector for left and right. pin 1 = ground. pin 2 = in phase. pin 3 = out of phase. output level = +4dBu/100Ohm.
TAPE	Two cinch connectors for left and right. -10dBv (300mV) /10kOhm. Sleeve=ground.
2 TRACK INPUTS	Cinch connectors. -10dBv (300mV) / 10kOhm. Sleeve = ground.
AUX RETURN	Cinch connectors for left and Right. -10dBv (300mV) / 10kOhm. Sleeve = ground.
CLEANFEED OUTPUTS	Cinch connectors paralleled +4dBu (1.22volt) output / 47 Ohm. Sleeve = ground.
RED LIGHT	Stereo jack connected to internal change over relay. Center Contact = Tip Normally Closed = Ground Normally Open = Ring
ANNOUNCER OUTPUT	Stereo jack for left and right Tip = left Ring = right Sleeve = Ground

AUX OUTPUTS Cinch connectors (for left and right).
+ 4 dBu (1.22 volt) / 100 Ohm
Sleeve = ground.

MONITOR OUTPUT Cinch connectors for left and right.
+ 4 dBu (1.22 volt) / 100 Ohm.
Sleeve = ground.

PHONES: Preferable 400 Ohms or higher!

TECHNICAL SPECIFICATIONS

INPUTS

Mic input balanced 2 kOhm. Plus 48volt phantom
Mic noise -122 dBr (A-weighted).
Sensitivity: -70dB min, 0dB maximum.
Line inputs: unbalanced, 10kOhm, Cinch gain range 40dB.
Phono inputs: unbalanced, 47kOhm, 1-10 mV.
2 Track return: -10dBv at 10kOhm.
Aux return: -10dBv at 10kOhm.

OUTPUTS

Left/Right/Monitor/Aux: +4dBu (1.55volt) at 47 Ohm.
Tape output: -10dBv at 1kOhm.
Headphone: 400-600 Ohm, 500mW.

EQUALIZER

High: +/- 12 dB at 12kHz shelving curve.
Mid: +/- 12 dB at 1 kHz bell curve.
Low: +/- 12 dB at 60 Hz bell curve.

RED LIGHT

Stereo jack connector to intern relay
Center Contact = Tip
Normally Closed = Shield
Normally Open = Ring

OVERALL

Frequency response 10-60.000 Hz (+/- 0.5dB).
Distortion: <0.009% max at 1 kHz.
Dimensions: 483x356x95 mm (8HE) .
Weight: 9 kg.

We wish a you creative and long lasting use of this quality product of

D&R Electronica Weesp b.v.

Rijnkade 15B

1382 GS WEESP, The Netherlands

Phone: 0294-418 014

Fax: 0294-416 987

Website: <http://www.d-r.nl> E-mail: info@d-r.nl

Conformity statement according to ISO/IEC Nr 22 and EN 45014

Name Manufacturer D&R Electronica Weesp b.v.
Address manufacturer Rijnkade 15B,
1382 GS Weesp,
The Netherlands

declares that this product

Name product AIRMATE
Model number n.a.
Product options All

passed the following product specifications:

Security EN 60950: 1988 +A1, A2

EMC: CISPR-22: 1985 / EN 55022: 1988 class B (*)
EN 50082-1: 1992
IEC 801-2:1991 / prEN 55024-2:1992 - 3kV CD, 8kV AD
IEC 801-3:1984 / prEN 55024-3:1991 - 3 V/m
IEC 801-4:1988 / prEN 55024-4:1992 - 0.5kV signal cables,
1 kV power cables.

Extra information:

The product passed the specifications of the following regulations;

Low voltage 73 / 23 / EEG
EMC-regulations 89 / 336 / EEG.

(*) The product is tested in a normal users environment.

PRODUCT SAFETY

This product is manufactured with the highest standards and is double checked in our quality control department for reliability in the "HIGH VOLTAGE" section.

CAUTION

Never remove any panels, or open this equipment. No user serviceable parts inside.

Equipment power supply must be grounded at all times.

Only use this product as described, in user manual or brochure.

Do not operate this equipment in high humidity or expose it to water or other liquids.

Check the AC power supply cable to assure secure contact.

Have your equipment checked yearly by a qualified dealer service center.

Hazardous electrical shock can be avoided by carefully following the above rules.

EXTRA CAUTION FOR LIVE SOUND

Ground all equipment using the ground pin in the AC power supply cable. Never remove this pin. Ground loops should be eliminated only by use of isolation transformers for all inputs and outputs. Replace any blown fuse with the same type and rating only after equipment has been disconnected from AC power. If problem persists, return equipment to qualified service technician

PLEASE READ THE FOLLOWING INFORMATION

Especially in sound equipment on stage the following information is essential to know.

An electrical shock is caused by voltage and current, actually it is the current that causes the shock.

In practice the higher the voltage the higher the current will be and the higher the shock.

But there is another thing to consider and it is resistance. When the resistance in Ohms is high between two poles, the current will be low and vice versa.

All three of these; voltage, current, and resistance are important in determining the effect of an electrical shock.

However, the severity of a shock primarily determined by the amount of current flowing through a person.

A person can feel a shock because the muscles in a body respond to electrical current and because the heart is a muscle it can affect, when the current is high enough. Current can also be fatal when it causes the chest muscles to contract and stop breathing. At what potential is current dangerous.

Well the first feeling of current is a tingle at 0.001 Amp of current. The current between 0.1 Amp and 0.2 Amp is fatal.

Imagine that your home fuses of 20 Amp can handle 200 times more current than is necessary to kill. How does resistance affect the shock a person feels. A typical resistance between one hand to the other in "dry" condition could well over 100,000 Ohm.

If you are playing on stage your body is perspiring extensively and your body resistance is lowered by more than 50%. This is a situation in which current can easily flow.

Current will flow when there is a difference in ground potential between equipment on stage and in the P.A. system. Please do check if there is any potential between the housing of the mikes and

the guitar synth amps, which will be linked by your body on stage. Imagine, a guitar in your hand and your lips close to the mike! A ground potential difference of above 10 volts is not unusual, in improperly wired buildings it can possibly be as high as 240 volts.

Although removing the ground wire sometimes cures a system hum, it will create a very hazardous situation for the performing musician.

Always earth all your equipment by the grounding pin in your mains plug.

Hum loops should be only cured by proper wiring and isolation input/output transformers.

Replace fuses always with the same type and rating after the equipment has been turned off and unplugged.

If the fuse blows again you have an equipment failure, do not use it again and return it to your dealer for repair.

And last but not least be careful not to touch a person being shocked as you, yourself could also be shocked.

Once removed from the shock, have someone send for medical help immediately

Always keep the above mentioned information in mind when using electrically powered equipment.

D&R Electronica Weesp b.v.
Rijnkade 15B
1382 GS, WEESP
The Netherlands
Phone: ++31 294 418 014
FAX: ++31 294 416 987

Website: <http://www.d-r.nl>
E-mail: info@d-r.nl

Geachte klant,

**Wij danken u hartelijk voor uw keuze en het vertrouwen dat u in ons product stelt.
U maakte een goede keus, dit product is ontworpen door en voor professionele gebruikers.
Er is gebruik gemaakt van onze enorme "know how" in mengtafel technieken en dit
gecombineerd met hoogwaardige componenten geeft u de zekerheid van een lange gebruiksduur.
Bovenstaande eigenschappen resulteren in een zeer betrouwbaar en bedrijfszeker eindproduct.**

**Deze gebruiksaanwijzing helpt u in het optimaal benutten van alle mogelijkheden die deze mixer
in zich heeft.**

**Mocht u nog vragen hebben dan kunt u zich altijd tot onze dealers wenden en in uiterste nood
tot ons.**

**D&R ELECTRONICA WEESP B.V.
Rijnkade 15B
1382 GS WEESP-HOLLAND
The Netherlands
Phone: 0294-418 014
Fax: 0294-416 987
Website: <http://www.d-r.nl>
E-mail: info@d-r.nl**

DE INGANGS MODUUL

De Airmate is voorzien van 8 ruisarme "TRIPLE INPUT" ingangsmodule met de volgende mogelijkheden.

- * Twee lijningangen waarvan de "B" ingang geschikt is voor een optionele R.I.A.A. correctieversterker.
- * Een volledig gescheiden gebalanceerde microfooningang met 48 volt phantom voeding
- * Een gain regeling.
- * Een driedelige toonregeling.
- * Een start (ON) switch.
- * Een Cue toets voor af luistering in stereo.
- * Acht professionele 100mm K-Alps faders.
- * Stereo 51mm master fader.
- * Speciale broadcast uitgangsectie met Talkback ingang en Cleanfeed en Announcer uitgangen.

BEDIENINGS ELEMENTEN VAN DE INGANGSMODULES.

GAIN

Dit is het engelse woord voor versterking.

De "gain" past het inkomende ingangs signaal aan op het interne mixer signaal niveau.

Dit is nodig om een optimale signaal ruisverhouding te realiseren.

STEREO LINE.

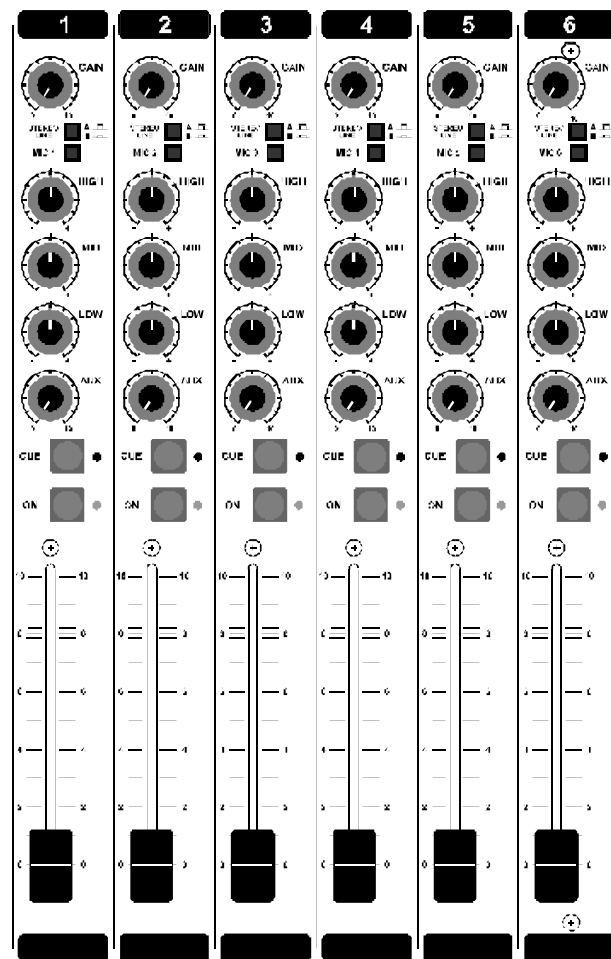
Deze ingangskeuze schakelaar kiest tussen de stereo A of B ingangen achter op uw Airmate mixer.

De B ingang kan voorzien worden van een R.I.A.A. correctieversterker die nodig is voor weergave van platen. Bij het platen persen worden de lage tonen sterk verzwakt om meer muziek op de "zwarte schijf" te krijgen, tevens worden de hoge tonen extra versterkt. De R.I.A.A. correctieversterker nu versterkt de lage tonen en verzwakt de hoge zodat de oorspronkelijke verhoudingen tussen hoge en lage tonen weer hersteld wordt met het voordeel van lagere ruis en de mogelijkheid om meer nummers op een plaat te zetten. (Dit ter verduidelijking van de functie van de R.I.A.A. versterker).

MIC INGANGSKEUZE SCHAKELAAR

Deze schakelaar kiest in ingedrukte toestand direct de gebalanceerde XLR microfoon ingang.

De microfoon ingang is bestemd voor een laagohmige gebalanceerde dynamische microfoon of Condensator microfoons die 48 volt fantoom nodig hebben als voeding.



TOONREGELING

De ingangsmodule heeft een drievoudige toonregeling voor klankkleur correcties. De bas regeling heeft een speciale curve (een Bell curve) om te vermijden dat bij hoge volumes met veel bas informatie uw luidsprekers "opgeblazen" worden.

Door bij het extra versterken van de lage tonen de extreem lage frequenties onder de 40Hz weer minder te laten versterken bereiken wij een goed vol laag zonder extra belasting van uw luidsprekers.

AUX SEND STEREO

De stereo Aux send is een regelbare uitgang per kanaal die te vergelijken is met de functie van de fader. Deze Aux send stuurt eveneens een signaal of deel daarvan naar een aparte uitgang.

Aux sends worden gebruikt voor het sturen van signalen naar effect apparatuur zoals galm of delay processors. De Aux is van fabriekswege uit zo ingesteld dat zijn signaal afgetakt wordt na de fader. Iedere faderbeweging zal ook invloed hebben op de hoeveelheid signaal dat op de Aux uitgang terecht komt. De Aux send kan ook "pre fader" (nu post fader) gezet worden door uw dealer. Indien de Aux send pre fader is dan is de Aux send optimaal te gebruiken voor monitor doeleinden.

CUE DRUKTOETS

De CUE druktoets geeft u de mogelijkheid om het microfoon of lijnsignaal vooraf in stereo te beluisteren alvorens het signaal in de mix te schuiven. Het gekozen signaal hoort u automatisch in de koptelefoon zodra de Cue toets geactiveerd is.

ON DRUKTOETS

De ON druktoets geeft u de mogelijkheid om aangesloten apparaten op afstand te starten. Tevens zet de ON toets de audioweg in het kanaal aan en uit.

FADERS

Dan volgt als laatste op het kanaal front de kanaalfader (schuifpotentiometer).

Deze schuifknop zorgt voor de uiteindelijke mixage van uw ingangssignalen. Alle kanalen hebben 100mm faders welke een soepele mixage mogelijk maken van de ingangssignalen.

Alle faders zijn voorzien van elektronische start switches welke in serie met de ON toets geschakeld kunnen worden (zie opties).

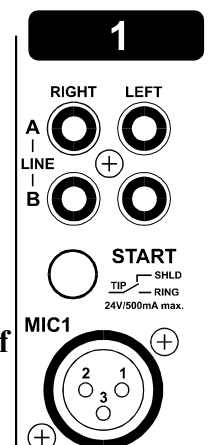
INGANGSCONNECTORS

Iedere ingang beschikt over drie gescheiden aansluitbare ingangen plus een start connector die later beschreven wordt.

Onder op het connector paneel zit een 3 polige XLR stekker, bestemd voor microfoons.

Een microfoon is een instrument dat akoestische signalen in elektrische signalen omzet zonder enige versterking (in de meeste gevallen).

Deze minuscuul kleine signalen moeten versterkt worden zonder storing en/of ruisbijdrage door het mengpaneel, hiervoor is de Airmate uitstekend uitgerust.



INGANGSCONNECTORS

In plaats van 1 gevoelige aansluiting aan de ingang heeft de Airmate twee gevoelige aansluitingen per kanaal (gebalanceerd). Dit nu onderscheidt de Airmate van de meeste andere mixers.

Het is mogelijk, en zelfs een professionele eis, de twee draden uit uw microfoon, welke binnen in de afscherming van de microfoonkabel zitten aan te sluiten op de gebalanceerde ingangen op de volgende wijze.

Een ader op punt 2 van de XLR connector (De grote ronde connector met drie bussen) en een ader op punt 3, punt 1 is de aarde welke aangesloten dient te worden op de mantel van de kabel die rondom de twee binnen aders ligt van uw microfoonkabel.

Wat heeft dit nu voor voordelen.

De op deze wijze aangesloten microfoonkabel is volkomen ongevoelig voor storingen van buiten af.

Indien u condensator microfoons heeft (op een ander principe ontworpen microfoons) dan zijn die zonder meer aansluitbaar op de Airmate mic input. Op pin 2 en 3 van de XLR plug staat 48 volt voedingsspanning.

Indien er 48 volt nodig is raden wij u aan contact op te nemen met uw dealer of een externe fantoom voeding uit onze signaal processor reeks aan te schaffen.

STEREO CINCH LIJN AANSLUITINGEN

De stereo lijningangen (Line staat op de achterzijde gedrukt) dienen als volgt aangesloten te worden.

De signaal draad dient op de pen van de cinch connectoren (ook wel tulp connector genoemd) aangesloten te worden.

U dient er tevens op te letten dat het signaal niveau zich bevindt tussen -20dB en +20dB om een volledige uitsturing van uw Airmate te waarborgen. Slechts dan ontstaat er een optimale signaal ruisverhouding.

STARTSWITCH

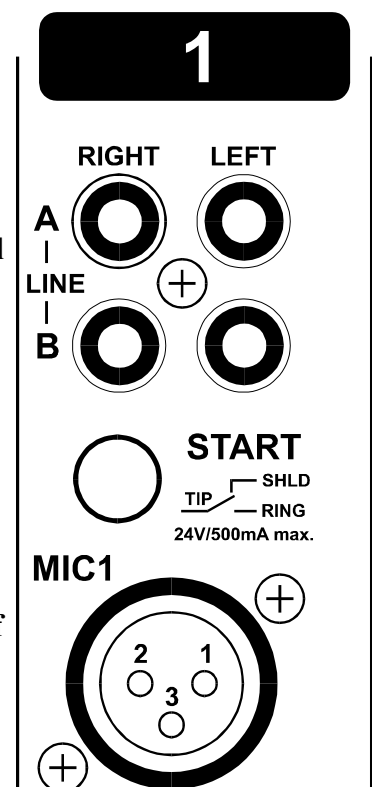
De Startswitch connector is doorverbonden met de ON toets op het front waarmee het kanaal aangezet wordt. De startswitch is een wisselcontact tussen aarde en ring.

De startswitch aansluitingen zijn bereikbaar via een stereo jackplug. De tip van de stereo jackplug schakelt tussen de ring en de aarde. In ruststand is de tip doorverbonden met de aarde (Shield). Een aangesloten draaitafel kan gestart worden d.m.v. deze ON toets en of d.m.v. de faderstart switch in combinatie met de aangesloten start connector.

SLUIT NOOIT 220 VOLT AAN OP DE START JACK

Sluit alleen laagspanning op de schakelcontacten aan met als maximum 24 volt bij 50 mA.

Neem hierover in twijfel gevallen contact op met uw dealer.



SPECIALE OPTIES IN UW AIRMATE KANALEN.

Op de printplaat van uw Airmate zijn verschillende jumpers (kleine overbruggingen) geplaatst om een aantal functies anders te laten verlopen dan de fabrieks instellingen op dit moment. Wij raden u aan dit door uw dealer uit te laten voeren indien u een van de hier onderstaande veranderingen wenst door te voeren.

Te beïnvloeden mogelijkheden zijn:

1. R.I.A.A. correctie versterker plaatsen op jumpers J12 en J13.
2. Laag af filter activeren op microfoon ingang via jumper J3.
3. 15 volt Fantoom voeding activeren via jumper J15.
4. Stereo Aux send pre of post zetten via jumper J6 (fabrieks setting is post)
5. Start jack de-activeren door jumper J11 (1-2)
6. Monitor mute activeren door ON toets, jumper J11 (3-4) (voor radio doeleinden)

MASTER SECTIE

De Airmate master sectie is het deel waar alle signalen uit de individuele kanalen zoals de links/rechts signalen, master Aux, en Cue uitgangen samen komen.

Ook zijn hier de Cleanfeed en Announcer uitgang te vinden, alsmede de talkback routing.

We zullen alle individuele functies, die voorzien zijn van heldere leds, per stuk bespreken.

LEDBAR METERS

De master heeft grote 21 segment ledbars (VU meters) die een duidelijke uitlezing geven van de uitgaande signalen. De aanspreektijd reactietijd (attack) is gelijk aan de teruglooptijd (release of decay), dit zijn internationaal vastgelegde normen voor VU meters, te weten 300mSec per 20dB signaal verloop.

Deze aanwijzing hebben wij verkozen boven de peak aanwijzing die elke peak langer dan 1 mSec aangeeft.

Een peak aanwijzing is zeer geschikt voor digitale apparaten waarbij oversturing zeer onaangename bijgeluiden geeft. Een VU aanwijzing geeft een meer realistischer indruk van het geluidsniveau op een soortgelijke wijze als onze oren die ervaren.

De ledbar is onderverdeeld in een aantal groene, gele en rode leds.

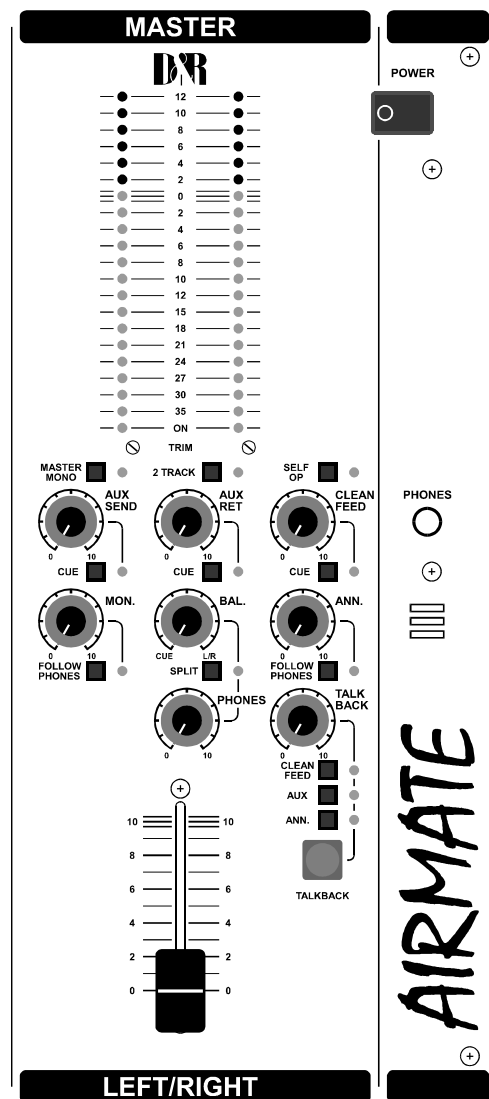
Het groene gedeelte is het "veilige" gedeelte, dit gedeelte moet zeker oplichten om een goede uitsturing van de elektronica te waarborgen.

De gele leds geven het "werkgebied" van de audio aan, een regelmatig oplichten van de gele leds zorgt voor een goed signaal niveau.

De rode leds geven het begin aan van het gevaren gebied, een signaal mag af en toe het rood in gaan maar niet konstant, dit om vervorming te vermijden.

De uitgang van de mixer ligt 4 dB hoger dan het interne signaal niveau. Dit betekent dat de mixer uitgang +4dB signaal geeft (1.22 volt) indien de laatste groene led aangaat.

Dit niveau is ruim voldoende om elke versterker voluit te sturen.



MASTER MONO TOETS

Deze toets maakt van het stereo signaal een mono signaal op beide hoofduitgangen. Deze toets is erg handig om een geluidsinstallatie goed in balans af te regelen, of bij het ontbreken van een van de stereo signalen toch de beide luidsprekerboxen of uitgangen voluit te sturen.

STEREO AUX SEND

De Aux send master regelt het totaal uitgaande signaal van alle individuele Aux sends in de ingangskanalen.

AUX CUE

De Aux Cue laat horen welke kanalen signaal naar de Aux master sturen. Het is wel nodig om de Aux master open te zetten (de Cue is hier post fader), dit is dus afwijkend van de kanalen.

Maar om een juist inzicht te krijgen van het uitgaande signaal niveau op de ledbars, is het nodig dit zo te ontwerpen. U kunt nu dus met de master Aux regelaar het juiste niveau naar een aangesloten randapparaat sturen.

MONITOR

De monitor regelaar wordt gevoed uit de links/rechts master, voor de master stereo faders.

Dit is dus een aparte stereo uitgang om nog een apparaat dan wel geluids systeem aan te sturen.

FOLLOW PHONES TOETS

Deze toets (met led) is eigenlijk een ingangskeuzeschakelaar voor de monitor uitgang. In plaats van de monitor te voeden met het links/rechts signaal is het ook mogelijk om de ingang van de monitor te voeden met het signaal dat in de koptelefoons terecht komt. Deze functie wordt vaak gebruikt door DJ's die zonder koptelefoon willen werken.

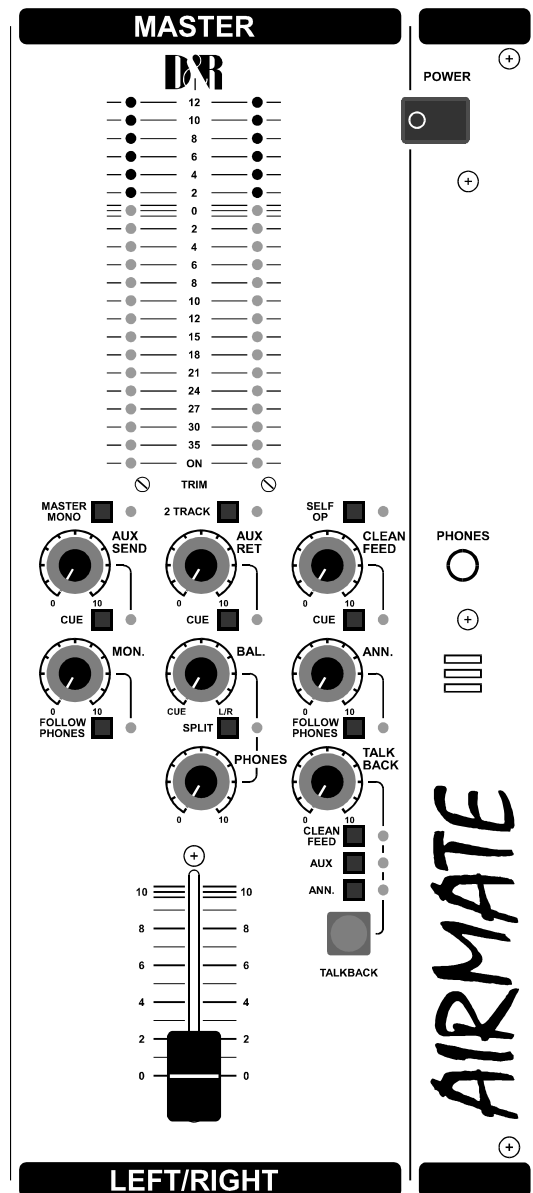
2 TRACK

Deze toets vervangt het inkomende master links/rechts signaal in de koptelefoon door een extern aangesloten stereo signaal via de 2 track ingang, gevoeligheid ligt op -10dBv (300mV).

Let op!, het Cue systeem zal ook de 2 track inputs onderbereken indien het geactiveerd wordt.

AUX RETURN

Deze stereo ingang, (met eigen stereo cue afluistering) is bedoeld om galm apparatuur op aan te sluiten. Deze aux return staat rechtstreeks aangesloten op de centrale links/rechts mix versterkers. U kunt dus ook hierop een andere mixer aan sluiten zonder verlies van ingangskanalen.



CUE AUX RETURN

Deze stereo Cue toets geeft de mogelijkheid vooraf te luisteren naar binnenkomende signalen via de stereo Aux return ingangen.

BALANCE

De balance regelaar heeft een wat uitgebreidere uitleg. Zoals op het front te zien is kunt u de balans regelen tussen de stereo Cue signalen en de master link/rechts uitgangssignalen in de koptelefoon uitgang.

Ook de split toets heeft hierop invloed, maar dat bespreken we later nog.

Zonder de split toets in te drukken is het nu mogelijk de balans te regelen tussen het Cue signaal en het uitgangssignaal.

Op deze wijze houdt u altijd controle over het uitgaande signaal indien een Cue toets geactiveerd is.

De balans tussen deze twee signalen kan naar smaak ingesteld worden.

SPLIT

Indien nu de SPLIT toets gedrukt wordt ontstaat de volgende afuister situatie.

In het linker oor hoort u nu het opgetelde Cue signaal in mono en in het rechter oor het opgetelde links/rechts signaal (pre fader). De balance regelaar heeft nu geen invloed op deze verhouding.

PHONES

De phones uitgang (op het front) met volume regelaar heeft een automatische stereo ingangskuze schakelaar die geactiveerd wordt door het CUE systeem van de Airmate.

Normalerwijze hoort u op deze uitgang het stereo links rechts signaal, echter zodra er een Cue toets ergens in de mixer geactiveerd wordt, wordt het links/rechts signaal vervangen door dat specifiek geselecteerde Cue signaal.

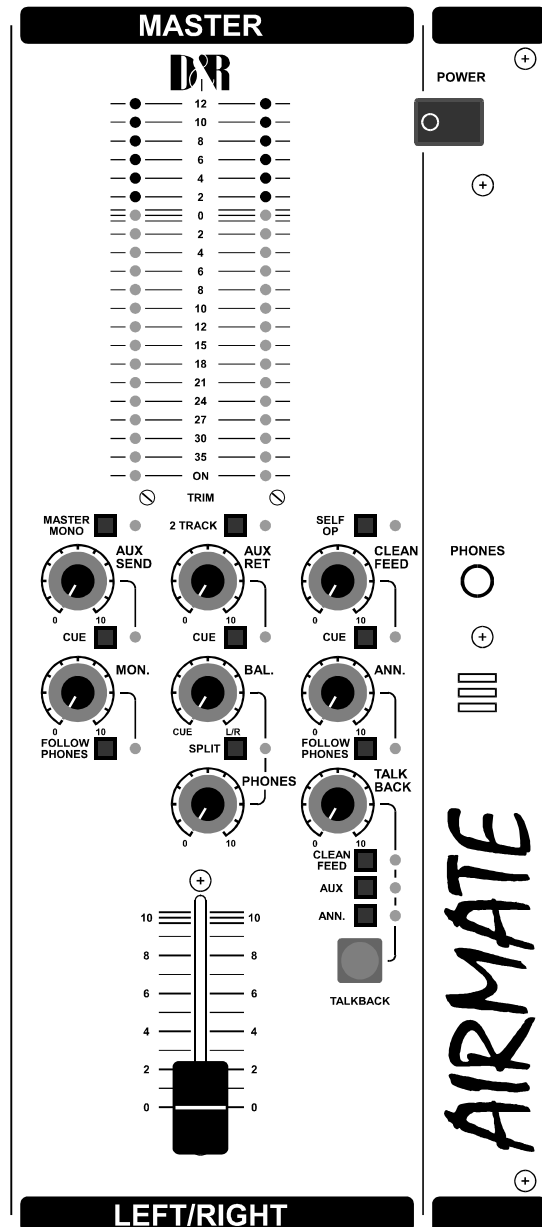
Wij raden aan koptelefoons te gebruiken welke geen lagere impedantie hebben dan 400 Ohm.

Een 8 ohm koptelefoon zal bij het opdraaien van het volume snel vervorming gaan geven

vanwege zijn zeer laagohmige belasting (dezelfde belasting als luidsprekers en de Airmate is geen eindversterker). Hoewel dit alléén merkbaar is in de koptelefoonuitgang en niet op de master uitgangen, is het aan te raden deze situatie te vermijden.

MASTER FADER

De master fader van de Airmate is een stereo 51mm fader die het totaal van het uitgangssignaal regelt.



SELF-OP

Deze toets zorgt ervoor dat de monitoruitgang (uw afluistering) uitgeschakeld wordt zodra er een microfooningang open gaat. Tevens wordt er een relais aangestuurd zodat een rood licht signalering verzorgd kan worden.

CLEANFEED UITGANG

Deze uitgang sommeert de signalen vanuit de ingangsmodule indien er op Jumper J7 gekozen is voor een cleanfeedsignaal doorgifte. Cleanfeed signalen zijn eigenlijk gelijk aan de aux send signalen, echter altijd post fader geschakeld. Door alleen die kanalen te "jumperen" waar geen telefoonsignaal op terugkomt ontstaat er geen terugkoppeling naar een aangesloten telephone Hybrid op die specifieke ingangen.

CUE CLEANFEED

De cleanfeed master heeft een post Cue afluistering voor controle van het uitgaande signaal naar de telefoonvork.

ANNOUNCER UITGANG

De announcer uitgang wordt in de bovenste stand van de "follow phones" toets gevoed door het master signaal onafhankelijk van de stand van de master faders. In de andere stand wordt de announcer uitgang gevoed met hetzelfde signaal dat naar de koptelefoon (phones) gestuurd wordt.

FOLLOW PHONES

Deze toets is een ingangskeuzeschakelaars voor de announcer uitgang. Zie bovenstaande beschrijving.

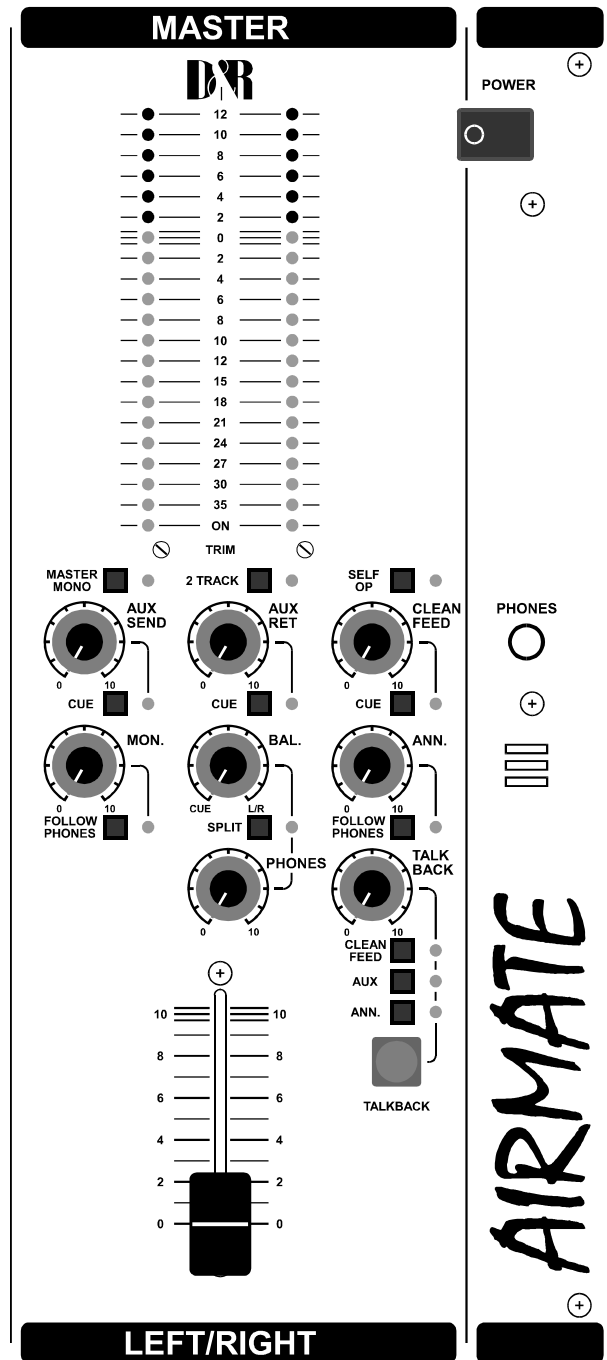
TALK BACK

De talkback schakeling heeft een ingebouwde electret microfoon met een uitgebreide routing naar de diverse uitgangen van de Airmate.

U kunt er direct de cleanfeed uitgang mee bereiken om naar telefoonlijnen te communiceren.

De aux uitgang kan aangekozen worden, alsmede de Announcer uitgang. De Talkback sterkte is onafhankelijk van de master regelaars van de Cleanfeed en Announcer uitgangen echter wel afhankelijk van de Aux master volume regelaar.

De Talkback toets is een zelfterugkerende toets waardoor de talkback microfoon niet ongewild open kan staan.



MASTER CONNECTORS

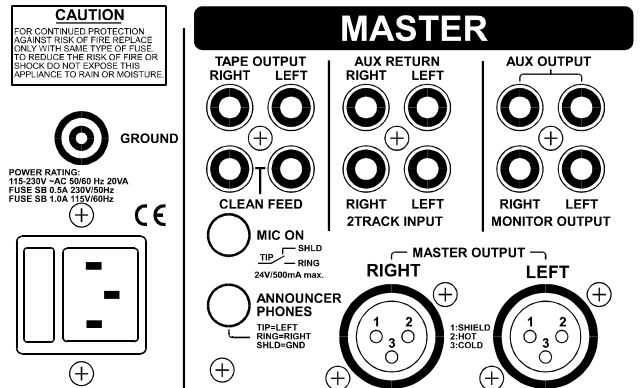
Het master achterpaneel bestaat uit 12 Cinch(tulp) connectors en 2 male XLR connectors waarop alle in en uitgaande signalen aangesloten worden. Verder vindt u hier de 220 volt netaansluiting met ingebouwde netzekering en een aarde aansluiting (ground).

TAPE OUTPUTS

Indien u van links naar rechts de connectors volgt komt u op de bovenste rij als eerste de Tape output connectors tegen voor links en rechts. Het uitgangsniveau is -10dBV (300 mV) en het signaal is onafhankelijk van de positie van de master fader.

CLEANFEED OUTPUTS

Direct onder de tape outputs zijn de cleanfeed outputs. Beide Cinch (tulp) connectors (bij sommige modellen Airmate's staat er nog RIGHT en LEFT onder de cinch connectors) zijn parallel geschakeld voor doorgifte van het cleanfeed signaal.



RED LIGHT

Direct onder de cleanfeed cinch connectors zit een stereo jack (bij sommige modellen Airmate nog als Cleanfeed benoemd) die als rood licht signalering aansluiting gebruikt kan worden. Deze rood licht signalering is uitgevoerd via een stereo jack die intern aangesloten is op een wissel relais. U kunt via deze schakeling uitsluitend laagspanning circuits aansturen die een spanning van 24 volt bij een stroomopname van maximaal 50mA niet te boven gaan. Het moedercontact is aangesloten op de Tip en het N.C. (Normally Closed) contact op de "aarde". Het N.O. (Normally Open) contact is verbonden met de ring van de stereo jack.

AUX RETURN

Rechts van de tape connectors ziet u de Aux return connectors. Dit zijn de ingangen die geregeld worden door de Aux return regelaar op de master sectie en die direct doorverbonden zijn naar de links/rechts som versterkers. Op deze ingangen kunnen effect apparaten zoals galm/reverbs aangesloten worden. Deze ingang is ook geschikt voor het aansluiten van apparatuur die geen toonregeling nodig heeft.

Het ingangsniveau moet minimaal -10dBv (300mV) zijn.

AUX OUTPUTS

De Aux output connectors zijn twee Cinch uitgang connectors die het stereo signaal doorgeven wat naar de Aux master gestuurd is. Het niveau is hier +4dBu (1.22 volt).

Deze uitgang is bedoeld voor het aansturen van galmapparatuur of monitor boxen.

Bij het gebruik van de Aux uitgang als monitor is het raadzaam om de Aux send per kanaal op pre fader te laten zetten door uw dealer.

2 TRACK INPUTS

Deze Cinch inputs zijn bestemd voor het laten weergeven van eventueel opgenomen signalen op uw tapedeck, DAT recorder, of anderszins. Het signaal komt direct in de koptelefoons indien de 2Track toets op het front geactiveerd is.

Het ingang level dient minimaal -10dBV (300mV) te zijn.

MASTER OUTPUTS

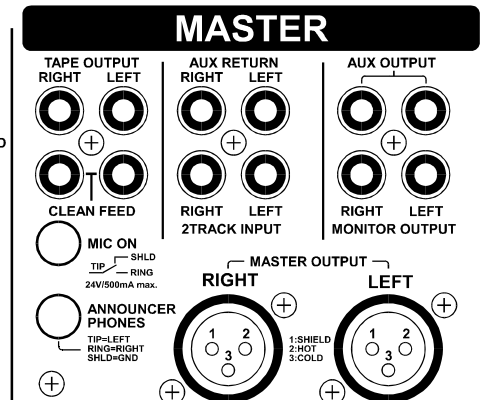
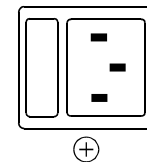
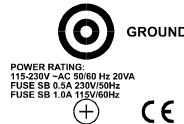
De master outputs zijn uitgevoerd op male XLR stekers in een Ground compensated aansluitings configuratie. U kunt op deze uitgangen elke eindversterker aansluiten met gebalanceerde ingangen.

De Ground Compensated uitgangen zorgen voor een volledig gebruik van de voordelen van gebalanceerde in en uitgangen zoals optimale stoor onderdrukking voor brom instrooing van buitenaf. Het niveau is hier +4dBu (1.22 volt)

GROUND CONNECTOR

Deze connector is bedoeld voor aarde aansluiting van draaitafels en/of als centraal aardpunt in een complexe installatie.

CAUTION
FOR CONTINUED PROTECTION
AGAINST RISK OF FIRE REPLACE
ONLY WITH SAME TYPE OF FUSE
TO REDUCE THE RISK OF FIRE OR
SHOCK DO NOT EXPOSE THIS
APPLIANCE TO RAIN OR MOISTURE



NET ENTREE MET ZEKERING

De net entree is uitgevoerd als eurosteker met ingebouwde zekering.

De Airmate is geschikt voor spanningen tussen 200 volt en 230 volt (de netspanning waar we langzaam naar toegaan in dit land). De ingebouwde zekering is 1 Ampere traag.

Vervang nooit deze zekering door een hogere waarde, het kan bij interne sluiting brand veroorzaken.

IN GEBRUIK STELLING

- Sluit een eindtrap/recorder/zender aan op een van de left/right MAIN XLR outputs.
- Sluit een hoog ohmige koptelefoon aan op de "phones" jack op het front.
- Verbind uw microfoon als omschreven met de Airmate.
- Zo ook de draaitafels, alsmede de tapedecks en jingle machine.
- U kunt een Telephone Hybrid uit het D&R programma aansluiten op de Cleanfeed uitgang.
- Zorg dat jumper J7 op 3/4 staat in het kanaal waar de uitgang van de Telephone Hybrid weer aangesloten wordt op de Airmate.
- Sluit een rood licht signalering aan indien u dat wenst.
- De announcer uitgang kan direct aan een koptelefoon aangesloten worden indien u dat wenst

Nu uw hele installatie staat aangesloten, volg de onderstaande inregelprocedure,

- Zet de PHONES volume regelaar op ongeveer "12 uur".
- Zet alle gain knoppen en master volume regelingen linksom.
- Zet alle toonregelingen op "12 uur".
- Zet alle faders naar beneden.
- Zet alle druktoetsen zo dat ze corresponderen met de aangesloten bronnen.
- Voor microfoons alleen de rode mic toets omlaag.
- Voor cassette decks op ingang A alle toetsen omhoog.
- Voor draaitafels de STEREO LINE toets ingedrukt (er dient dan wel een R.I.A.A. correctie versterker op de print gemonteerd te zijn)
- Sluit een netsnoer aan op de mixer.
- Schakel de voeding in via de netschakelaar waarna de onderste leds van de ledbar oplichten.

INREGELING INGANGSMODULE

Druk de CUE toets van het kanaal dat u wilt gebruiken.

Draai nu de "GAIN" knop langzaam naar rechts, totdat u het ingangs signaal hoort en op de ledbar ziet.

U kunt bij voldoende uitsturing op de ledbar (signaal komt af en toe in het gele gedeelte) het PHONES volume aanpassen aan wat u zelf aangenaam vindt.

Het nu gehoorde signaal moet regelmatig door de "0" dB led heen bewegen bij aanwezig ingangssignaal. De ledbar reageert op het gemiddelde niveau (VU aanwijzing) en is zo afgeregeld dat een uitgangs niveau van +4 dBu (1.22 volt) een uitlezing geeft van 0 dB op de Led bar.

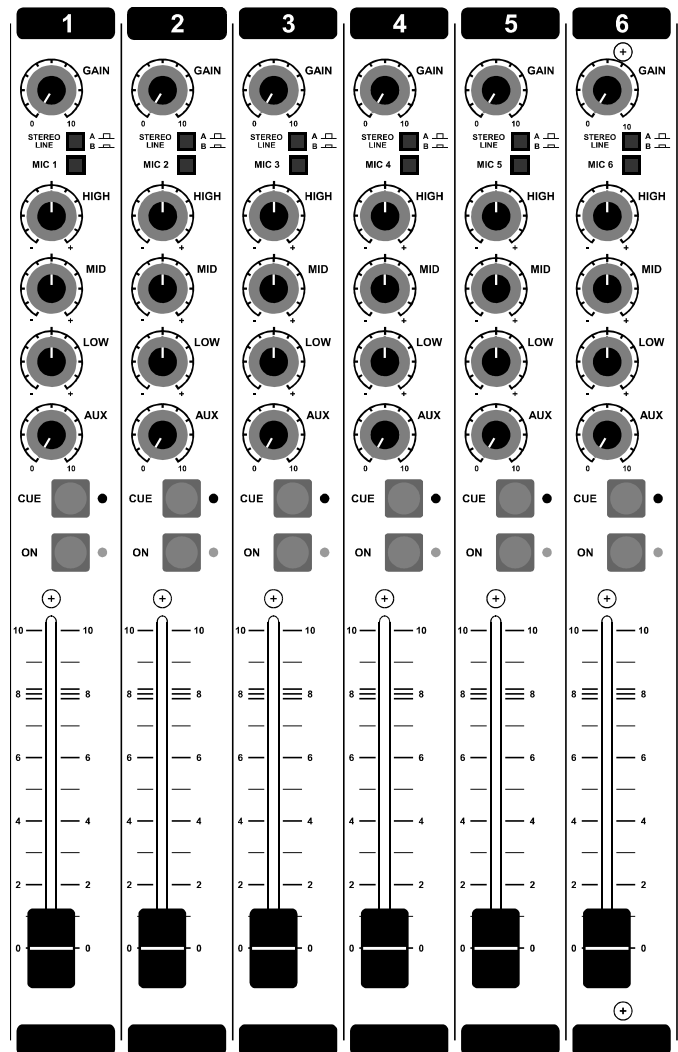
U kunt door verdraaiing van de toonregelingen een aangenamer klankkleur realiseren.

Controleer na de toonregel-instellingen nogmaals het niveau via de ledbar.

Schakel nu de CUE toets uit.

Druk nu de ON toets in waardoor u het signaal doorverbindt met de fader.

Schuif nu de fader omhoog naar de "8" positie (het gebied met meerdere lijnen) en schuif langzaam de master volume fader omhoog totdat de ledbars wederom regelmatig door de "0" tot maximaal +8 dB positie heen oplichten .



Verdere volume instellingen moet u realiseren op de eindversterkers/tapedecks.

INREGELING INGANGSMODULE

Een goede gewoonte is om bij volledig opgeschoven master faders een goede uitsturing te realiseren op de ledbars en vervolgens uw eindversterkers zo in te regelen dat zij het gewenste volume geven wat nodig is voor de job.

De andere inputs worden op een identieke wijze ingeregeld via de CUE toets en de gainregeling.

Zaken om op te letten.

Zorg ervoor dat de Airmate niet opgesteld wordt in de buurt van zware transformatoren zoals aanwezig in eindversterkers. Dit kan brom veroorzaken door instrooien, ondanks de plaatstalen kast en het dikke front.

In geval van vragen leest u de gebruiksaanwijzing nogmaals door en tracht bij storingen door logisch nadenken te lokaliseren waar de storing zich bevindt alvorens ongerust uw dealer op te bellen.

Audio connections telephone hybrid to airmate

Airmate Cleanfeed
output
(use left only)

Telephone hybrid
input



Cinch connector

Jack connector

Airmate ch.8
line in left and right

Telephone hybrid
line out



Cinch connectors

Jack connector

INBOUW INSTRUCTIES VOOR R.I.A.A. CORRECTIE PRINT.

De Airmate heeft de mogelijkheid om elk kanaal geschikt te maken voor pick-up elementen welke een speciale correctie curve nodig hebben.

De stereo R.I.A.A. correctieversterker die op uw verzoek hierbij geleverd wordt kan eenvoudig door uzelf worden ingebouwd in het door u gekozen kanaal.

Zorg allereerst dat de netstekker uit het stopcontact verwijderd is!

Verwijder met een kruiskop schroevendraaier de drie boutjes aan de voorzijde in het front van het mengpaneel.

Leg vervolgens het mengpaneel op zijn kop op een zachte ondergrond (zodat de knoppen niet beschadigen).

Verwijder nu de drie boutjes aan de onderkant van uw mengpaneel en de twee boutjes aan de zijkant van de kast. U kunt nu de omkasting van de mixer verwijderen door deze naar voren weg te trekken.

U ziet nu de zes kanaal printen met op iedere print direct achter de ingang jacks twee stekkertjes 45 mm van elkaar geplaatst in het RIAA optievlak, waarvan *een* (J12) voorzien is van twee jumpers, dit zijn kleine kortsluit brugjes.

Verwijder de twee kortsluitbrugjes en plaats het R.I.A.A. printje met de componenten naar de print toe gericht op de twee stekkertjes op dat kanaal waar u de correctie versterker wenst. Er is maar *een* juiste manier mogelijk om dit te doen.

Let op dat alle vier de pennen in de busjes vallen en druk de print zover mogelijk naar beneden.

Dit is alles wat er nodig is om de Airmate geschikt te maken voor pick-ups.

Zet vervolgens de bodem weer vast in omgekeerde volgorde van het uiteennemen.

Wij wensen u veel plezier met uw nieuwe aanwinst.

D&R service afdeling

Hieronder volgt nog een opsomming van belangrijkste technische gegevens.

MIC input	XLR aansluiting symmetrisch ingangsimpedantie 2 kOhm. pin 2 = in faze. pin 3 = uit faze. pin 1 = aarde. gevoeligheid - 60 dBu. 48 volt fantoomvoeding altijd aanwezig
LIJN A/B input	Cinch (tulp) connectors voor links en rechts. Gevoeligheid -20 dBu tot +20dBu.
Disc inputs (Line B)	(Alleen met optionele R.I.A.A. correctie versterker). 47 kOhm 0, 5 mv tot 10 mV.
START remote	Stereo jack waarbij door de TIP tussen aarde (echter vrij van de LET OP!!! Niet geschikt voor 220 volt!
MASTER OUTPUT	XLR male aansluiting voor links en rechts. pin 2 = in faze. pin 3 = uit faze. pin 1 = aarde. uitgangsniveau +4 dBu (1.22volt)/100 Ohm .
TAPE	Cinch aansluiting voor links en rechts. -10dBv (300mv) uitgang / 1kOhm. Afscherming-aarde.
AUX RETURN	Cinch aansluiting voor links en rechts. -10dBv (300mv) ingang / 10kOhm. Afscherming-aarde.
CLEANFEED OUTPUTS	Cinch aansluiting parallel bedraad. +4dBu (1.22volt) uitgang / 47 Ohm. Afscherming-aarde.
RED LIGHT	Stereo jack aansluiting naar intern relais. Center Contact = tip Normally Closed = aarde Normally Open = ring
ANNOUNCER OUTPUT	Stereo jack aansluiting voor links en rechts. Tip = Links. Ring = Rechts. Afscherming = Aarde. uitgangsniveau +4 dBu (1.22volt) / 47 Ohm .
2-TRACK INPUT	Cinch aansluiting voor links en rechts. -10dBv (300mv) ingang / 100kOhm. Afscherming-aarde.

AUX OUTPUTS	Cinch aansluiting, (links en rechts) +4dBu (1.22 volt) 100 Ohm. Afscherming-aarde.
MONITOR OUTPUT	Cinch aansluiting voor links en rechts. +4dBu (1.22 volt) 100 Ohm. Afscherming-aarde.
PHONES	Stereo en alleen geschikt voor koptelefoons van 400 ohm en

TECHNISCHE SPECIFICATIES

INPUTS	Mic input balanced 2 kOhm. Plus 48 volt fantoom. Mic noise -122dBr (A-weighted). Gevoeligheid: -70dB min, 0dB maximum. Line inputs: unbalanced, 10kOhm, Cinch gain range 40dB. Phono inputs: unbalanced, 47kOhm, 1-10 mv. 2 Track return: -10dBv at 10kOhm. Aux return: -10dBv at 10kOhm.
OUTPUTS	Left/Right/Monitor/Aux/Announcer/Cleanfeed: +4dBu (1.22volt) at 47 Ohm. Tape output: -10dBv at 1kOhm. Headphone: 400-600 Ohm, 500mw.
EQUALIZER	High: +/- 12 dB at 12kHz shelving curve. Mid: +/- 12 dB at 1 kHz bell curve. Low: +/- 12 dB at 60 Hz bell curve.
RED LIGHT	Stereo jack aansluiting naar intern relais. Center Contact = tip Normally Closed = aarde Normally Open = ring
OVERALL	Frequency response 10-60.000 Hz (+/- 0.5dB). Distortion: <0.009% max at 1 kHz. Dimensions: 483x356x95 mm (8HE). Weight: 9 kg.

Wij wensen u een zeer langdurig en creatief gebruik van dit product van

**D&R Electronica Weesp b.v.
Rijnkade 15B
1382 GS WEESP
The Netherlands
Phone: 0294-418 014
Fax: 0294-416 987
Website: <http://www.d-r.nl>
E-mail: info@d-r.nl**

Conformiteitsverklaring

volgens ISO/IEC leidraad 22 en EN 45014

Naam fabrikant D&R Electronica Weesp b.v.
Adres fabrikant Rijnkade 15B, 1382 GS Weesp,
The Netherlands

verklaart dat het product

Naam product AIRMATE
Modelnummer Airmate
Productopties Alles

voldoet aan de volgende product specificaties:

Veiligheid EN 60950: 1988 +A1, A2

EMC: CISPR-22: 1985 / EN 55022: 1988 klasse B (*)
EN 50082-1: 1992
IEC 801-2:1991 / prEN 55024-2:1992 - 3kV CD, 8kV AD
IEC 801-3:1984 / prEN 55024-3:1991 - 3 V/m
IEC 801-4:1988 / prEN 55024-4:1992 - 0.5kV signaalkabels,
1 kV voedingskabels.

Aanvullende informatie:

Het product voldoet hierbij aan de eisen van de richtlijn voor;

Laag voltage 73 / 23 / EEG
EMC-richtlijn 89 / 336 / EEG.

(*) Het product is getest in een normale gebruik situatie.

PRODUCT SAFETY

This product is manufactured with the highest standards and is double checked in our quality control department for reliability in the "HIGH VOLTAGE" section.

CAUTION

Never remove any panels, or open this equipment. No user serviceable parts inside.

Equipment power supply must be grounded at all times.

Only use this product as described, in user manual or brochure.

Do not operate this equipment in high humidity or expose it to water or other liquids.

Check the AC power supply cable to assure secure contact.

Have your equipment checked yearly by a qualified dealer service center.

Hazardous electrical shock can be avoided by carefully following the above rules.

EXTRA CAUTION FOR LIVE SOUND

Ground all equipment using the ground pin in the AC power supply cable.

Never remove this pin. Ground loops should be eliminated only by use of isolation transformers for all inputs and outputs. Replace any blown fuse with the same type and rating only after equipment has been disconnected from AC power.

If problem persists, return equipment to qualified service technician

PLEASE READ THE FOLLOWING INFORMATION

Especially in sound equipment on stage the following information is essential to know.

An electrical shock is caused by voltage and current, actually it is the current that causes the shock.

In practice the higher the voltage the higher the current will be and the higher the shock.

But there is another thing to consider and it is resistance.

When the resistance in Ohms is high between two poles, the current will be low and vice versa.

All three of these; voltage, current, and resistance are important in determining the effect of an electrical shock.

However, the severity of a shock primarily determined by the amount of current flowing through a person.

A person can feel a shock because the muscles in a body respond to electrical current and because the heart is a muscle it can affect, when the current is high enough.

Current can also be fatal when it causes the chest muscles to contract and stop breathing. At what potential is current dangerous.

Well the first feeling of current is a tingle at 0.001 Amp of current.

The current between 0.1 Amp and 0.2 Amp is fatal.

Imagine that your home fuses of 20 Amp can handle 200 times more current than is necessary to kill. How does resistance affect the shock a person feels.

A typical resistance between one hand to the other in "dry" condition could well over 100,000 Ohm.

If you are playing on stage your body is perspiring extensively and your body resistance is lowered by more than 50%. This is a situation in which current can easily flow.

Current will flow when there is a difference in ground potential between equipment on stage and in the P.A. system. Please do check if there is any potential between the housing of the mikes and

the guitarsynth amps, which will be linked by your body on stage. Imagine, a guitar in your hand and your lips close to the mike! A ground potential difference of above 10 volts is not unusual, in improperly wired buildings it can possibly be as high as 240 volts.

Although removing the ground wire sometimes cures a system hum, it will create a very hazardous situation for the performing musician.

Always earth all your equipment by the grounding pin in your mains plug.

Hum loops should be only cured by proper wiring and isolation input/output transformers.

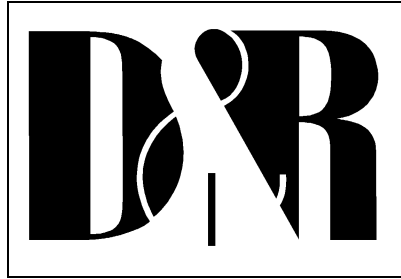
Replace fuses always with the same type and rating after the equipment has been turned off and unplugged.

If the fuse blows again you have an equipment failure, do not use it again and return it to your dealer for repair.

And last but not least be careful not to touch a person being shocked as you, yourself could also be shocked.

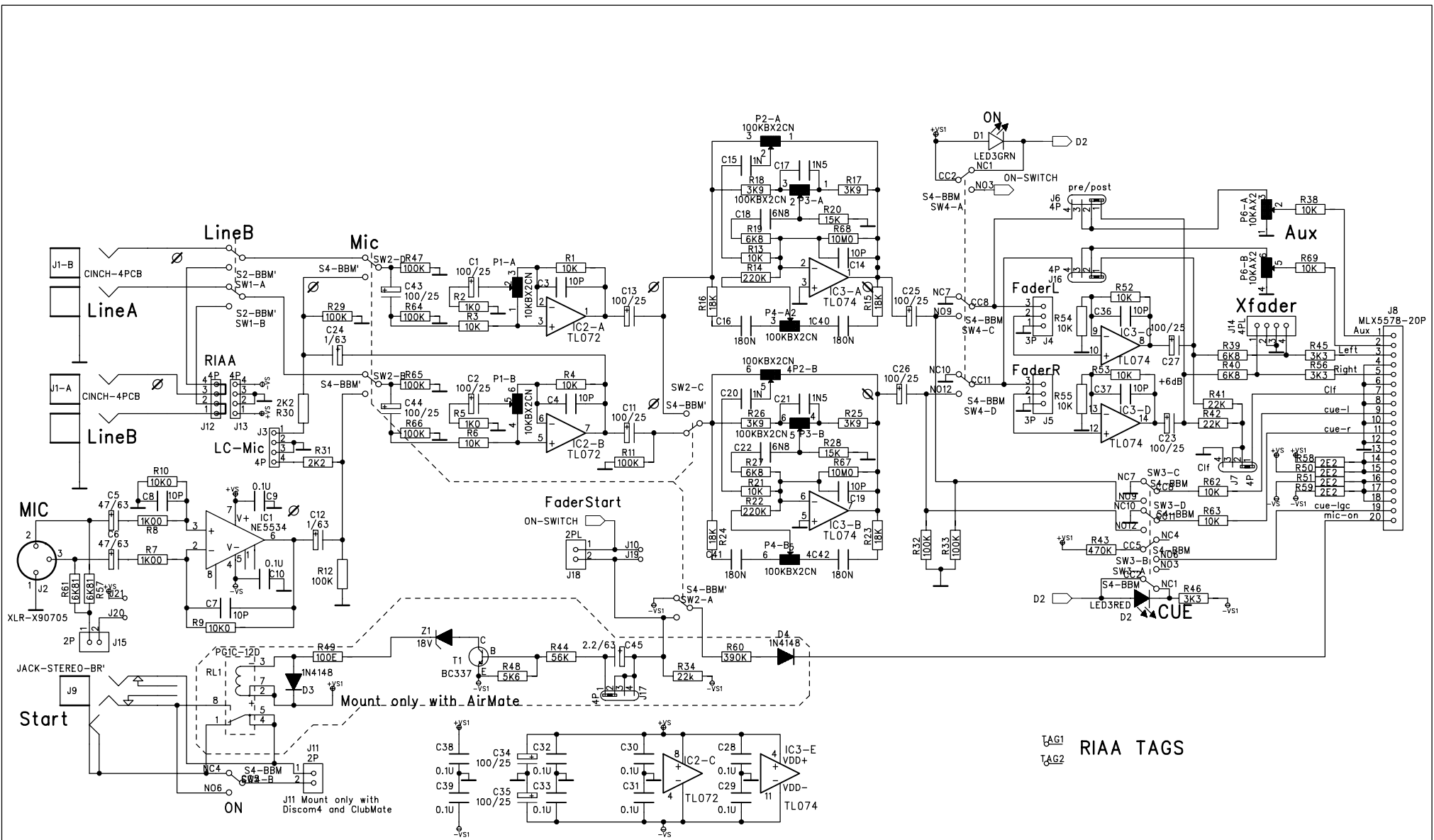
Once removed from the shock, have someone send for medical help immediately

Always keep the above mentioned information in mind when using electrically powered equipment.




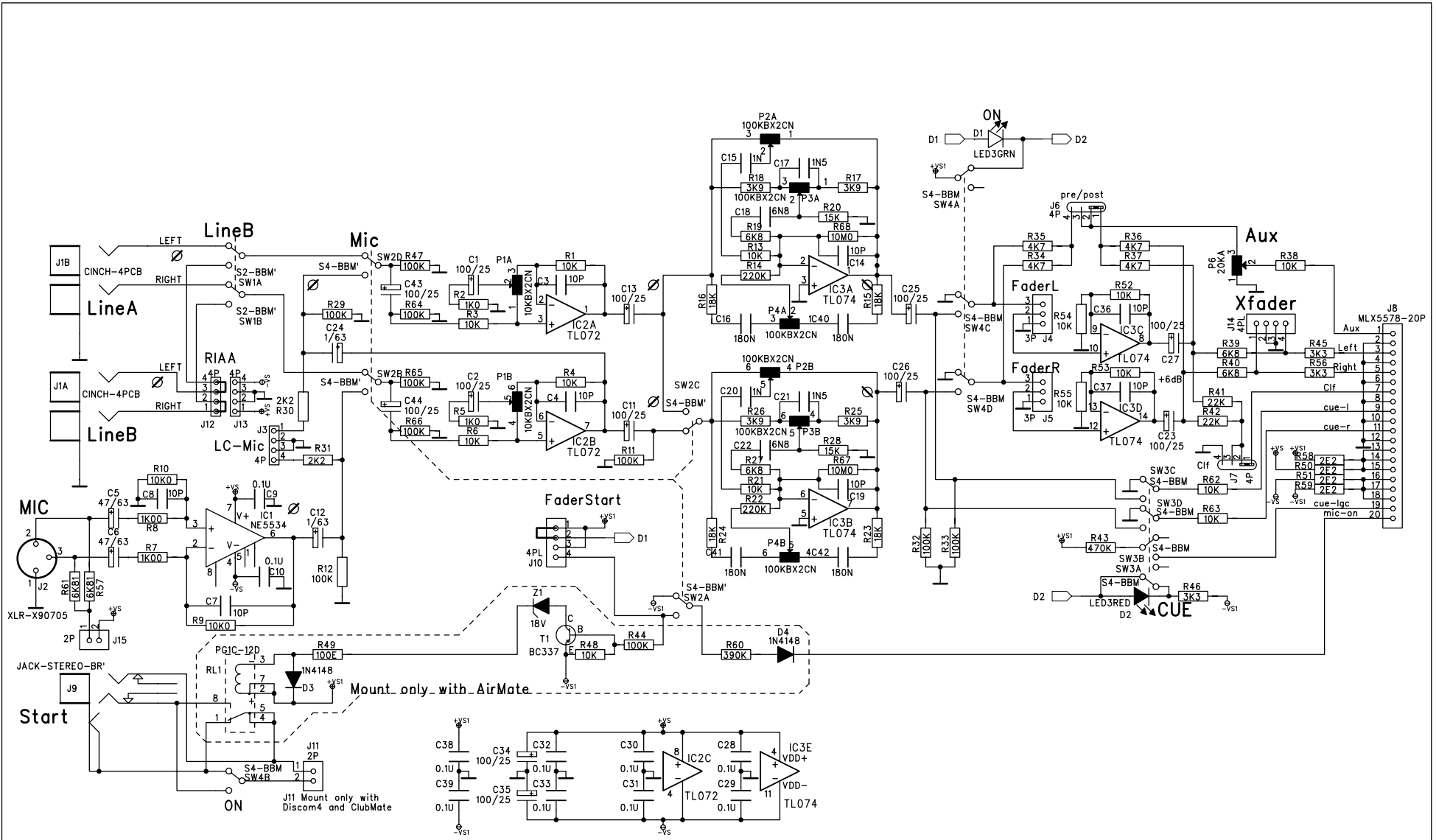
AIRMATE


SERVICE MANUAL

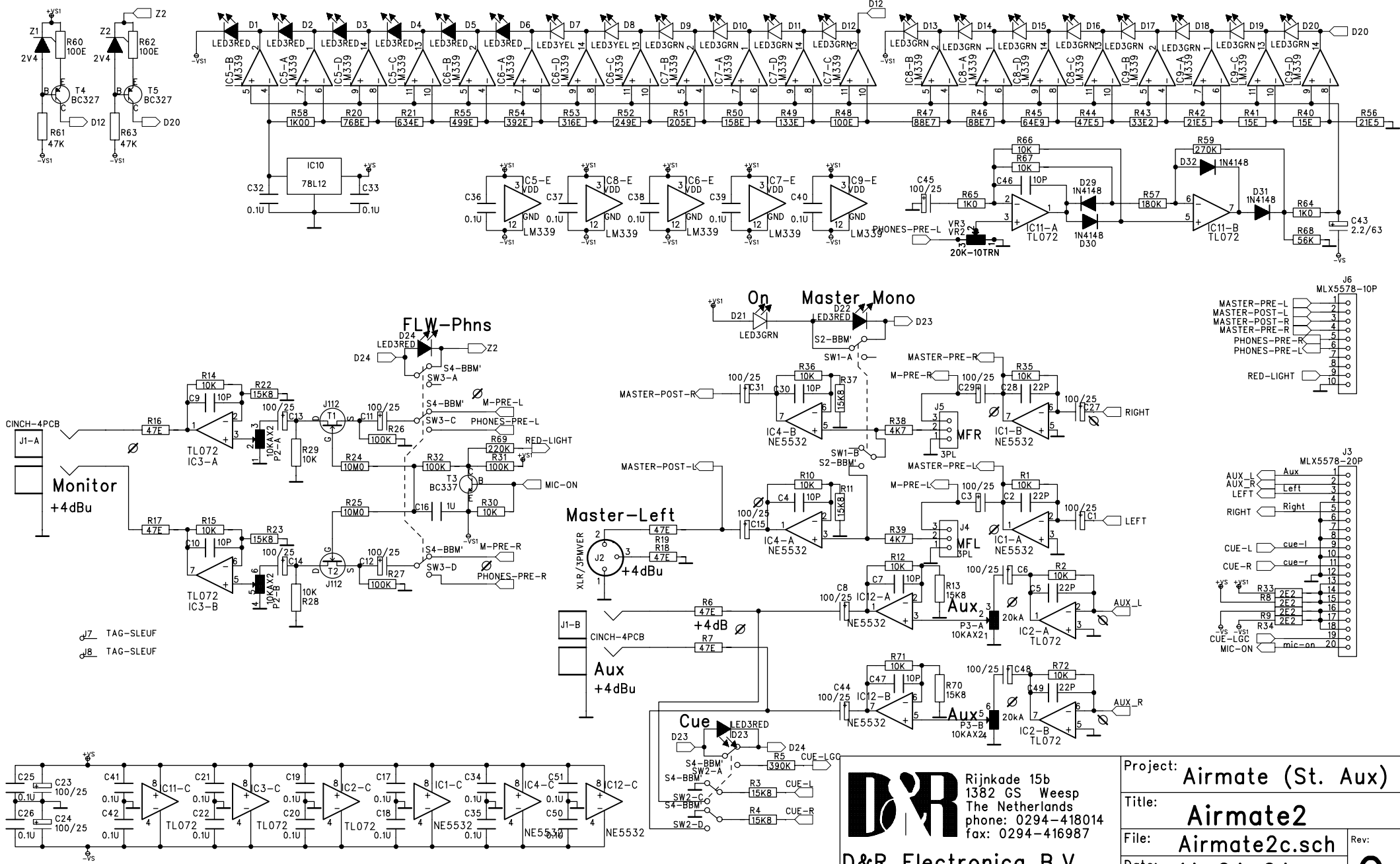


TAG1 RIAA TAGS
TAG2

 D&R Electronica B.V.	Rijnkade 15b 1382 GS Weesp The Netherlands phone: 0294-418014 fax: 0294-416987		Project: Airmate (St. AUX)
			Title: Airmate1 CH
			File: Airmate1b.sch
			Date: 14-04-04
Design: Jan Betten			Rev: B
		Sheet: 1 of 1	



 <p>Rijnkade 15b 1382 GS Weesp The Netherlands phone: 0294-418014 fax: 0294-416987</p> <p>D&R Electronica B.V.</p>	Project: Discom4	
	Title: Discom41 CH	
	File: discm41a.sch	Rev:
	Date: 9-1996	A
	Design: Jan Betten	



J7 TAG-SLEUF
 J8 TAG-SLEUF

D&R Rijkade 15b
 1382 GS Weesp
 The Netherlands
 phone: 0294-418014
 fax: 0294-416987

D&R Electronica B.V.

Design: Jan Betten

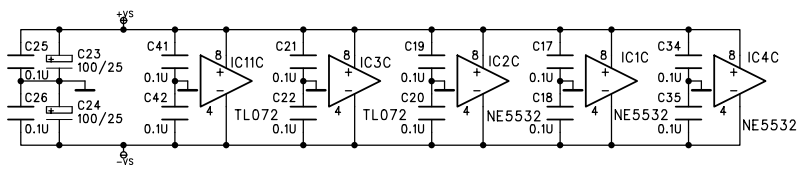
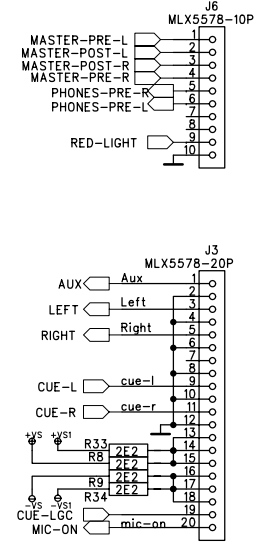
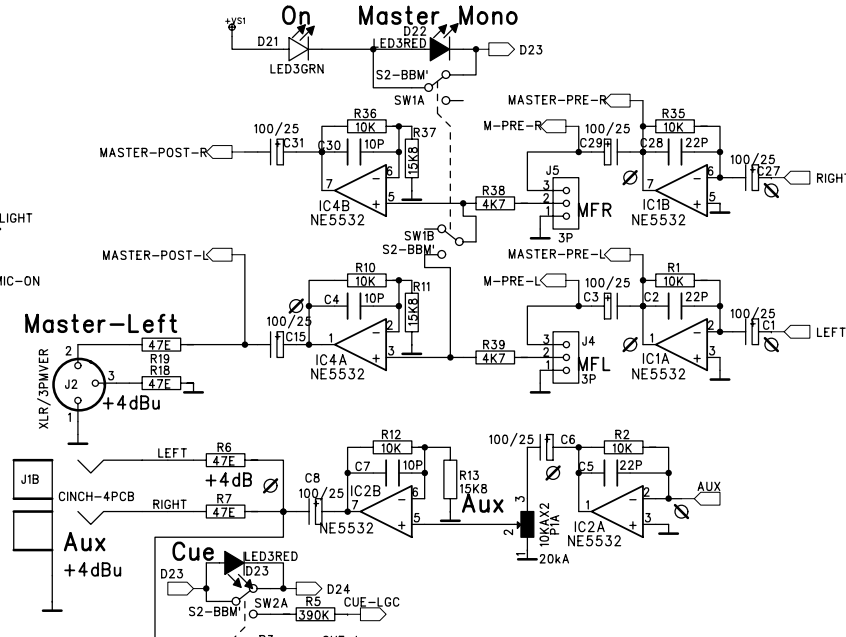
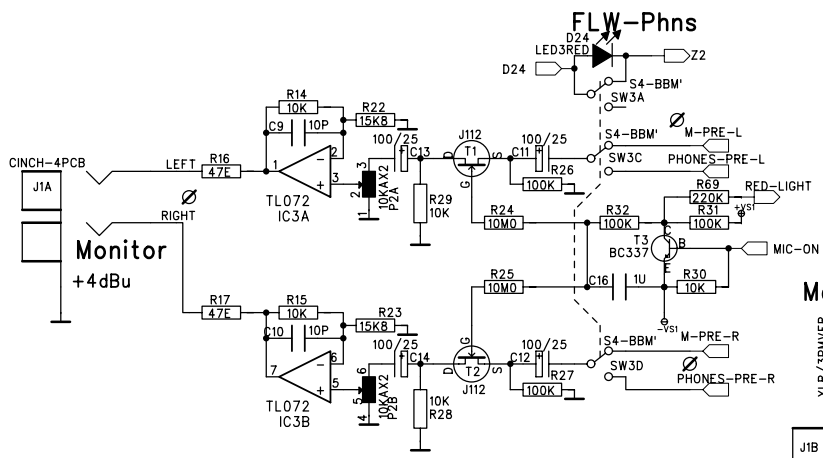
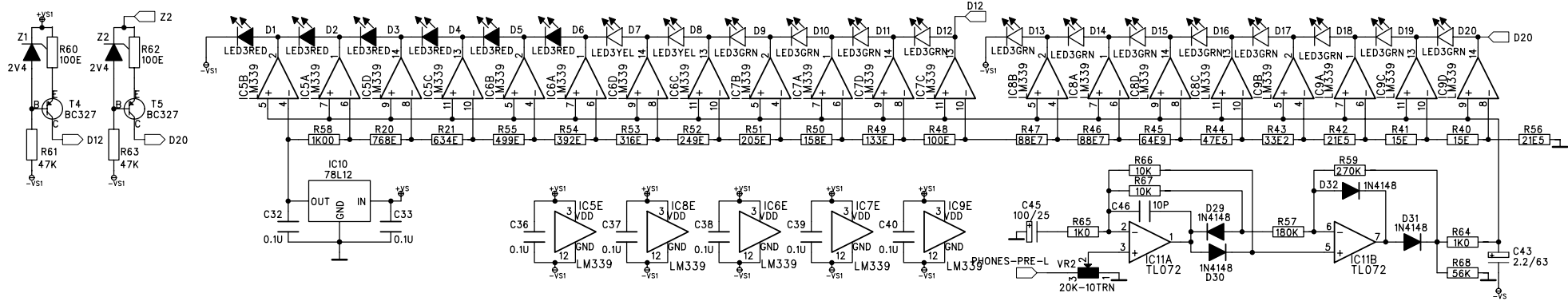
Project: **Airmate (St. Aux)**

Title: **Airmate2**

File: **Airmate2c.sch** Rev: **C**

Date: **14-04-04**

Sheet: **1 of 1**

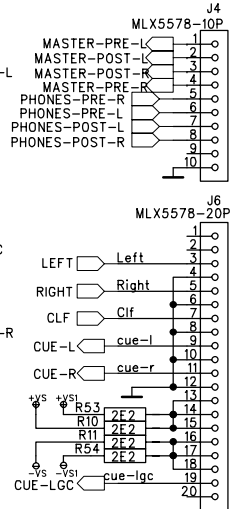
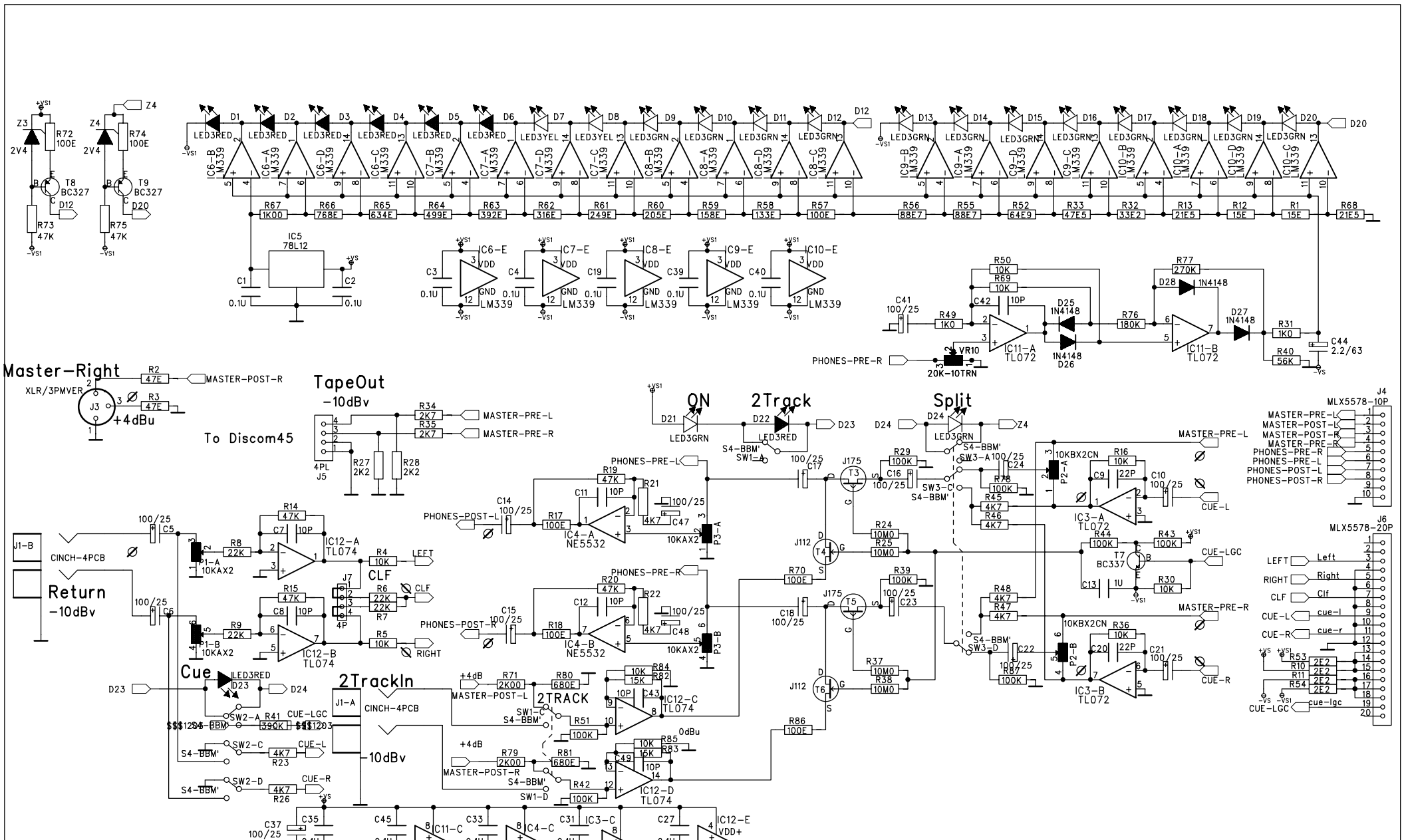



D&R Rijkade 15b
1382 GS Weesp
The Netherlands
phone: 0294-418014
fax: 0294-416987

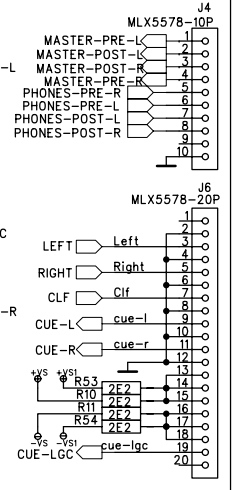
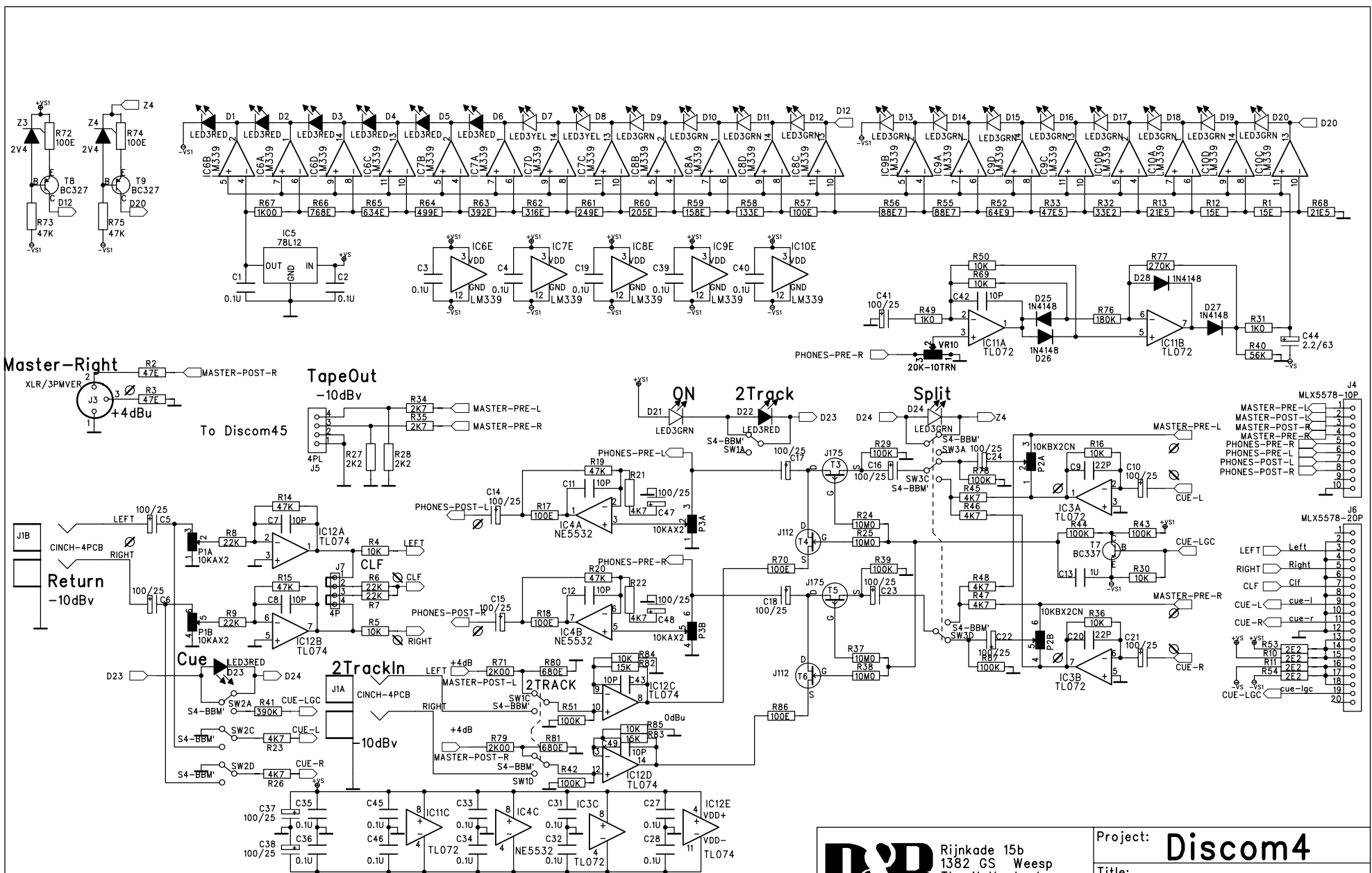
D&R Electronic B.V.


Design: Jan Betten

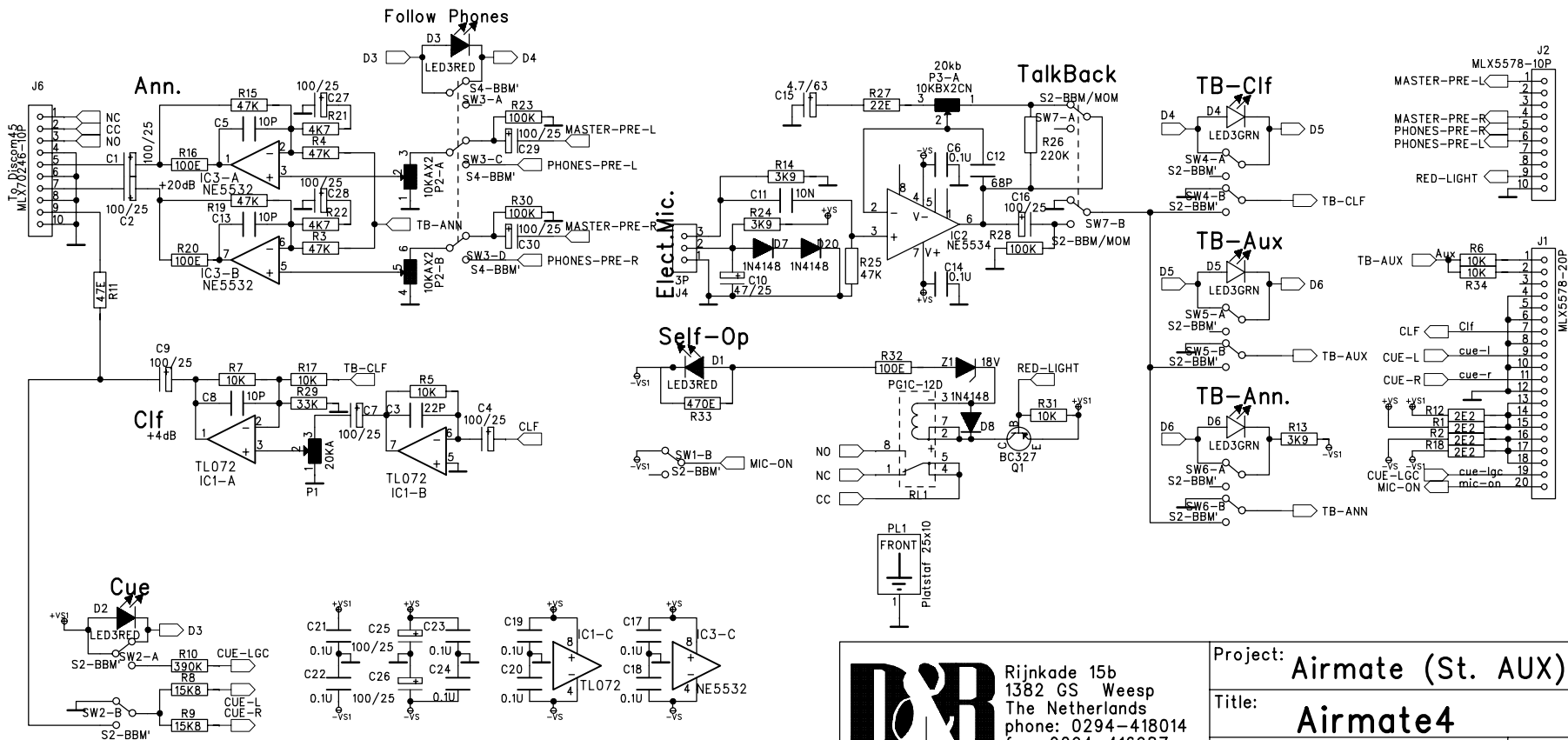
Project:	Discom4	
Title:	Discom42	
File:	discm42a.sch	Rev:
Date:	9-1996	A
Sheet:	1 of 1	



	Rijnkade 15b 1382 GS Weesp The Netherlands phone: 0294-418014 fax: 0294-416987	
	Project: Airmate (St. AUX)	
	Title: Airmate3	
	File: Airmate3b.sch	Rev:
	Date: 4-2004	B
Design: Jan Betten		
Sheet: 1 of 1		



	Rijnkade 15b 1382 GS Weesp The Netherlands phone: 0294-418014 fax: 0294-416987		Project: Discom4
	D&R Electronica B.V.		Title: Discom43
	Design: Jan Betten	File: discm43a.sch	Rev: A
		Date: 9-1996	Sheet: 1 of 1



D&R Rijnkade 15b
 1382 GS Weesp
 The Netherlands
 phone: 0294-418014
 fax: 0294-416987

D&R Electronica B.V.

Design: Jan Betten

Project: **Airmate (St. AUX)**

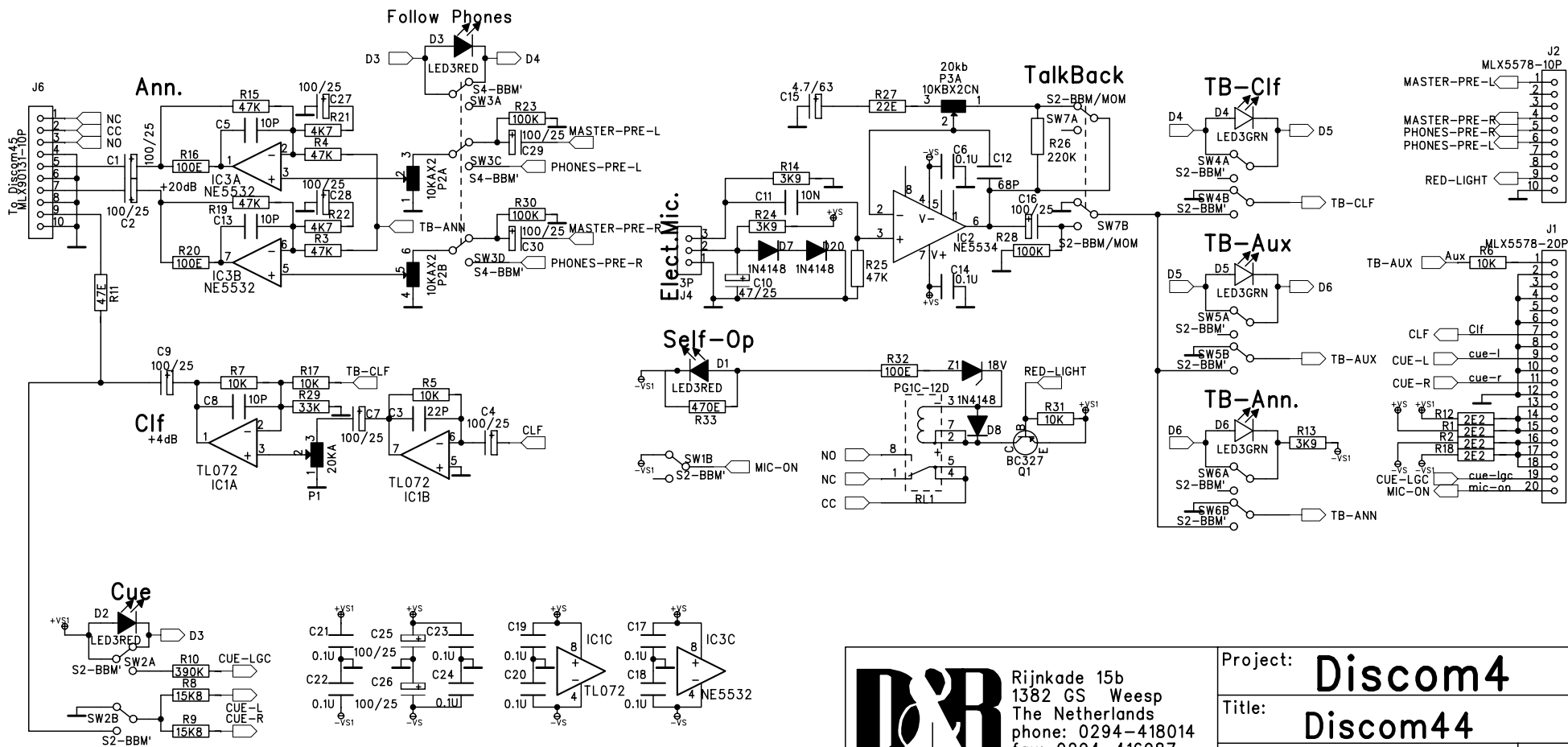
Title: **Airmate4**

File: **Airmate4b.sch** Rev:

Date: **4-2004**

Sheet: **1 of 1**

B

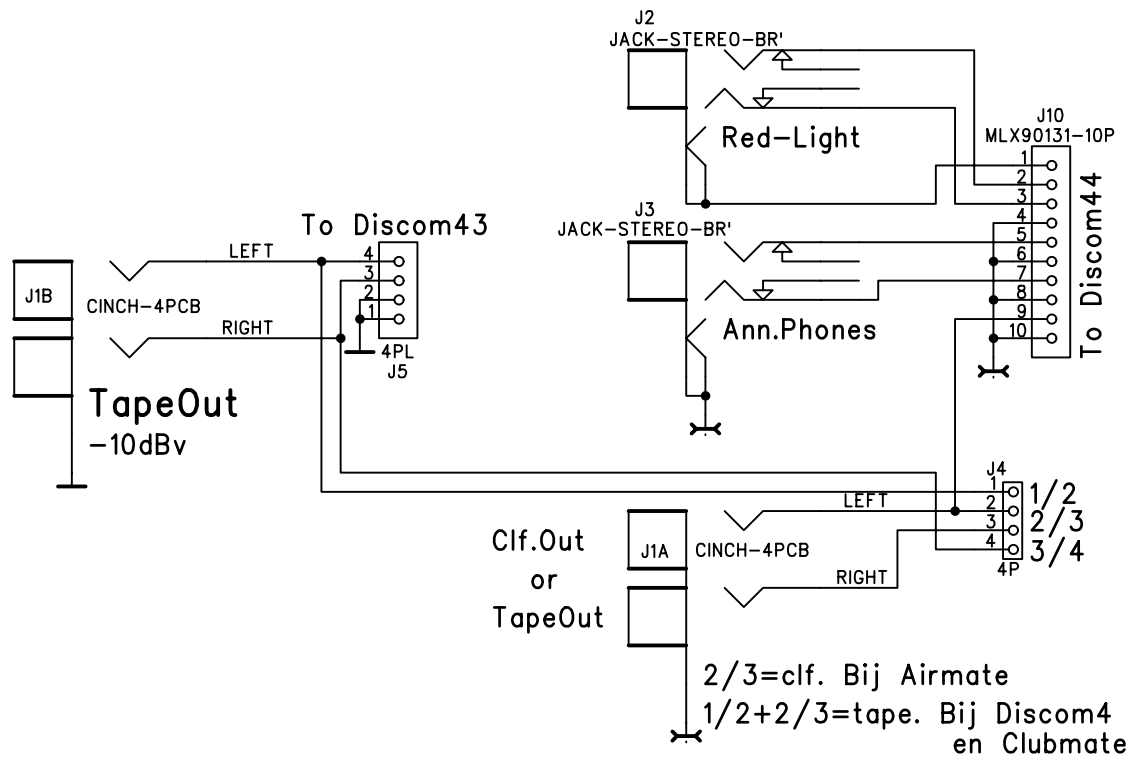


D&R Rijnkade 15b
 1382 GS Weesp
 The Netherlands
 phone: 0294-418014
 fax: 0294-416987

D&R Electronica B.V.

Design: Jan Betten

Project: Discom4	
Title: Discom44	
File: discm44a.sch	Rev: A
Date: 9-1996	
Sheet: 1 of 1	



Rijnkade 15b
1382 GS Weesp
The Netherlands
phone: 0294-418014
fax: 0294-416987

D&R Electronica B.V.

Design: Jan Betten

Project: **Discom4**

Title: **Discom45 Com.**

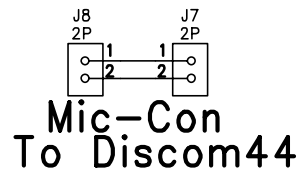
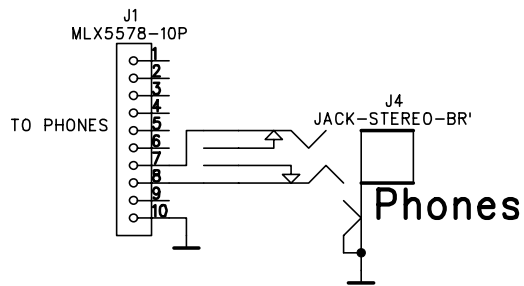
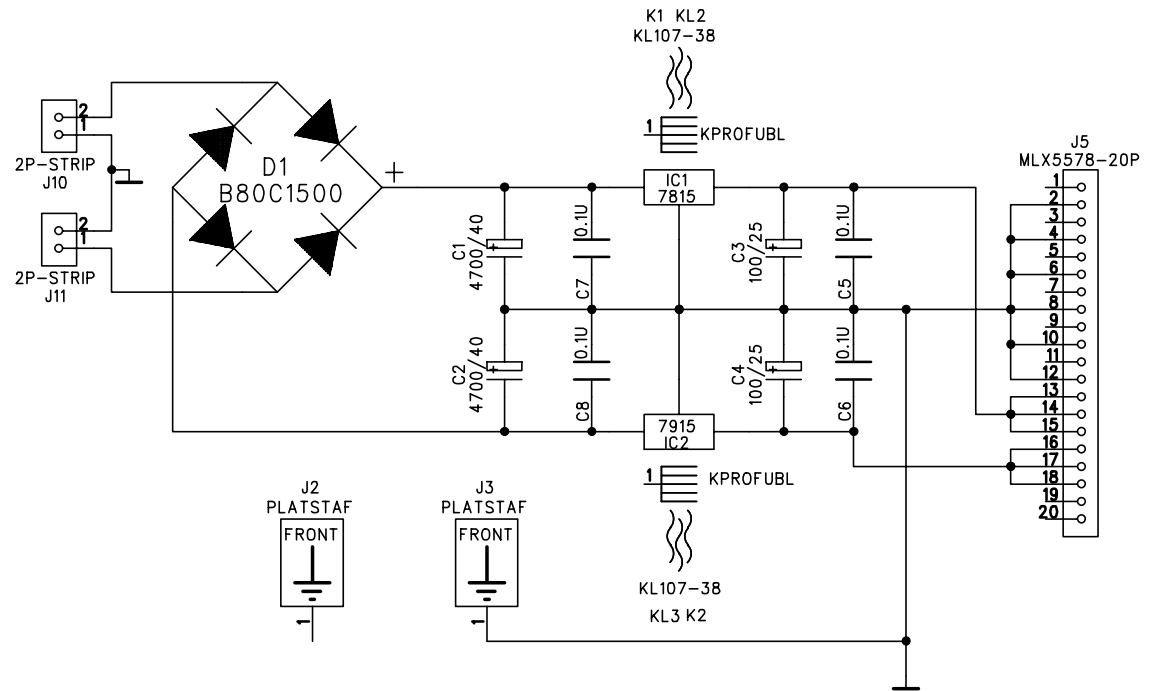
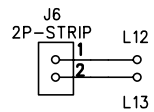
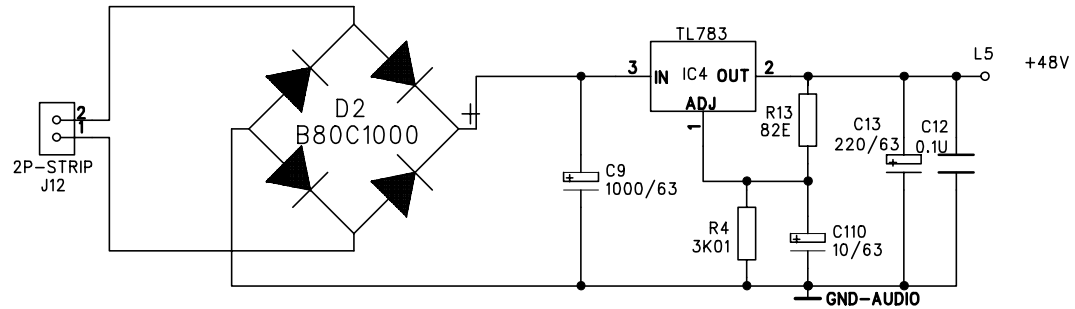
File: **discm45a.sch**

Date: **9-1996**

Sheet: **1 of 1**

Rev:

A



D&R Rijkade 15b
1382 GS Weesp
The Netherlands
phone: 0294-418014
fax: 0294-416987

D&R Electronica B.V.

Design: D de Rijk

Project: **Airmate (St. AUX)**

Title: **Airmate6 Voeding**

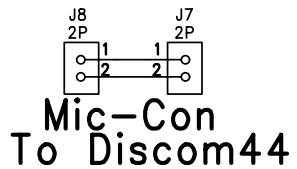
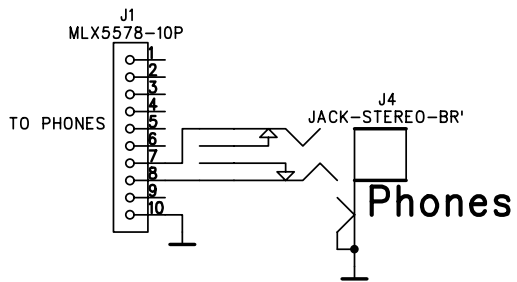
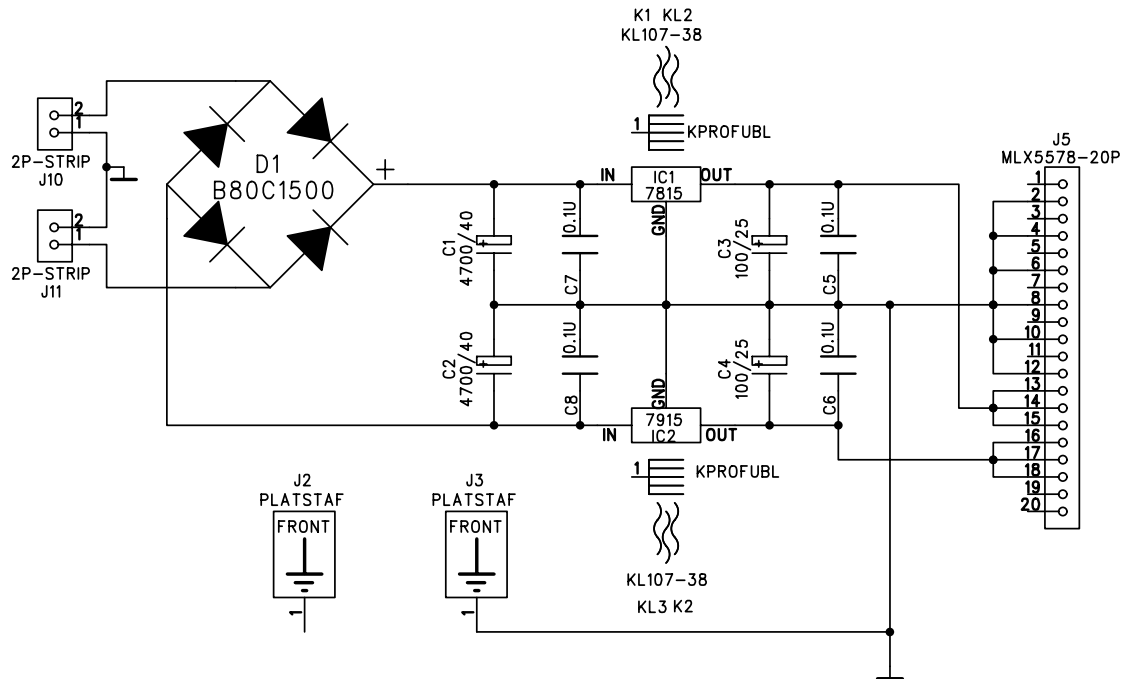
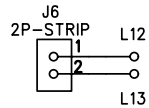
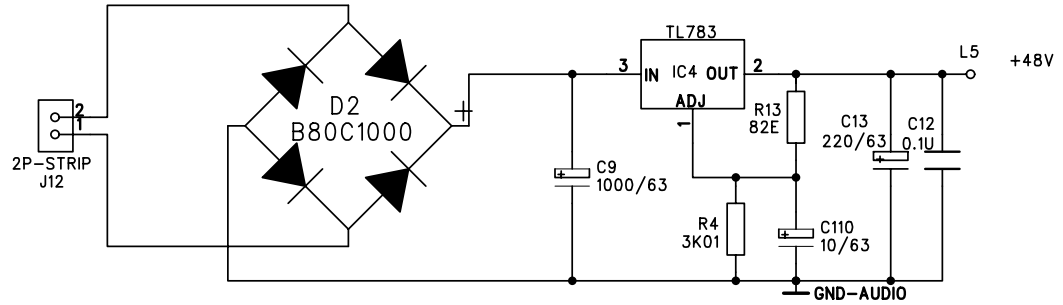
File: **Airmate6c.sch**

Date: **02-1997**

Sheet: **1 of 1**

Rev:

C



Rijkkade 15b
1382 GS Weesp
The Netherlands
phone: 0294-418014
fax: 0294-416987

D&R Electronica B.V.

Design: D de Rijk

Project: **Discom4**

Title: **Discom46 Voeding**

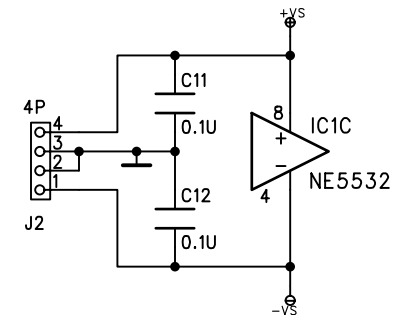
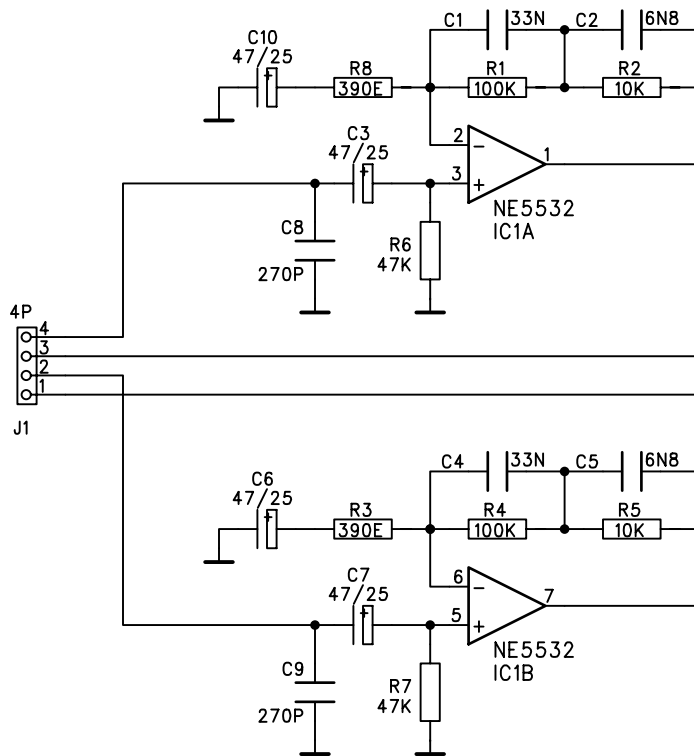
File: **discm46c.sch**

Date: **02-1997**

Sheet: **1 of 1**

Rev:

C



Rijkade 15b
1382 GS Weesp
The Netherlands
phone: 0294-418014
fax: 0294-416987

D&R Electronica B.V.

Design: D. de Rijk

Project: **Pre Amp**

Title: **RIAA**

File: **riaa_a.sch**

Date: **18-05-1990**

Sheet: **1 of 1**

Rev:

A

Makartikel : 60890262 AIRMATE STEREO-AUX Vrd.eenh. : st
Revisie :

Niveau	Positie	Artikel	Omschrijving	Ingangs- datum	Verval- datum	Netto hoeveelheid	Vrd eh.
1	10/ 1	10101203	Backpanel Airmate-D Gispen 103	01-04-00		1.0000	st
1	20/ 1	10650448	Flatcable 20p r1.27	01-04-00		70.0000	cm
1	30/ 1	10700603	Parker 2.9x9,5 verz PD D7981	01-04-00		11.0000	st
1	40/ 1	10600173	Conn 3p wrd 2U084-018-0387	01-04-00		18.0000	st
1	50/ 1	10600470	Conn flatcable 20p female	01-04-00		12.0000	st
1	60/ 1	10600701	Mains inlet SKT M3 + FR M3	01-04-00		1.0000	st
1	70/ 1	10600482	Terminal post black	01-04-00		1.0000	st
1	80/ 1	10450090	Knob SiF Rub/Gry TPN110 006/13	01-10-03		37.0000	st
1	90/ 1	10450091	Knob SiF Rub/Red TPN110 006/13	01-10-03		11.0000	st
1	110/ 1	10800943	Doos Discom/Airmate WIT	01-04-00		1.0000	st
1	120/ 1	10800957	Schuinhoek Polycorner 44635	01-04-00		4.0000	st
1	130/ 1	10700002	Druknaegel wit (nylon)	01-04-00		4.0000	st
1	140/ 1	10300098	Fader ALPS-Kste 100mm 10kA 9.4	01-04-00		8.0000	st
1	150/ 1	10101200	Front Airmate-F Gispen 103	01-04-00		1.0000	st
1	160/ 1	10500715	Insul. plate Discom 3 PVC	01-04-00		1.0000	st
1	170/ 1	10700625	Kartelring MB (buitenvertand)	01-04-00		4.0000	st
1	180/ 1	10150440	Frame Airmate/Clubmate-B	01-04-00		1.0000	st
1	190/ 1	10450209	Pushb SiF 2.8 black-sq K54437	01-04-00		11.0000	st
1	200/ 1	10450208	Pushb SiF 2.8 grey-sq K54436	01-04-00		17.0000	st
1	210/ 2	10450009	Knob TAK12x12-107 A3.3 GREY	23-02-01		9.0000	st
1	220/ 2	10450010	Knob TAK12x12-107 A3.3 Black	23-02-01		8.0000	st
1	230/ 1	10450111	Knob Fdr SiF black15/wh. 1.2x8	01-04-00		9.0000	st
1	240/ 1	10450110	Knob Fdr SiF grey15/black1.2x8	01-04-00		1.0000	st
1	260/ 1	10500684	Shrinksleeve 38.1>19.0 black	01-04-00		5.0000	cm
1	270/ 1	10250388	Led 3mm yellow SLR-03A610-020	01-04-00		6.0000	st
1	280/ 1	10250386	Led 3mm green SLR-03A210-020	01-04-00		46.0000	st
1	290/ 1	10250387	Led 3mm red SLR-03A510-020	01-04-00		18.0000	st
1	300/ 1	10700076	Adereindhuls ong. 0.75mm/L=6	01-04-00		2.0000	st
1	310/ 1	10550020	Switch mains small blk no lmp	01-04-00		1.0000	st
1	320/ 1	10600498	Mains lead 3 core Euroconnecto	01-04-00		1.0000	st
1	330/ 1	10700656	Plakvoet SJ-5012	01-04-00		4.0000	st
1	340/ 1	10700690	Platstaf 25x10x10mm MB+2holes	01-04-00		3.0000	st
1	350/ 1	10650389	Wire 13cm 1007#20*130mm5T-BLU	01-04-00		4.0000	st
1	360/ 1	10700611	Popnaegel 3x6 blank	01-04-00		5.0000	st
1	370/ 1	10700790	Taptite MBx6 verzkop/pozidr/zw	01-04-00		28.0000	st
1	380/ 1	20851229	PCB ins Airmate PS-1	01-04-00		1.0000	st
.2	10/ 1	10250346	Rect. B80C1500 (rectang)	01-04-00		1.0000	st
.2	20/ 1	10350517	Resistor OE 5% 1/4W	01-04-00		2.0000	st
.2	30/ 1	10401241	Capacitor 100n/50V R5.0 ker	01-04-00		5.0000	st
.2	40/ 1	10250320	IC 7815 T0220 Toshiba volt.reg	01-04-00		1.0000	st
.2	50/ 1	10250321	IC 7915 T0220 ONS (volt.reg)	01-04-00		1.0000	st
.2	70/ 1	10400292	Elco 100uF/ 25V rad R5.0	01-04-00		2.0000	st
.2	80/ 1	10400299	Elco 4700uF/ 40V axial	01-04-00		2.0000	st
.2	90/ 1	10600478	Header 4P 0° R 2.54	01-04-00		2.0000	st
.2	100/ 1	10600180	Conn 2p Mains Terminal 5mm	01-04-00		5.0000	st
.2	110/ 1	10600530	Jack Break slimline S253-84	01-04-00		1.0000	st
.2	120/ 1	10600452	Header 10p 90° R2.54	01-04-00		1.0000	st
.2	130/ 1	10600456	Header 20p 90° R2.54	01-04-00		1.0000	st
.2	140/ 1	10700917	Bout M5x50 tapbout blank	01-04-00		1.0000	st
.2	150/ 1	10700707	Ring M5 diam 20mm dikte 1mm	01-04-00		1.0000	st
.2	160/ 1	10700910	Kartelring M5 (buitenvertand)	01-04-00		2.0000	st

Makartikel : 60890262 AIRMATE STEREO-AUX Vrd.eenh. : st
Revisie :

Niveau	Positie	Artikel	Omschrijving	Ingangs- datum	Verval- datum	Netto hoeveelheid	Vrd eh.
.2	170/ 1	10720668	Heatsink SK64/37.5 SA-1xMB	01-04-00		2.0000	st
.2	180/ 1	10700909	Mber M5	01-04-00		1.0000	st
.2	190/ 1	10201218	PCB Airmate PS-1A	01-04-00		1.0000	st
.2	200/ 1	10700616	Taptite MBx10 bolkopozidr/zw.	01-04-00		4.0000	st
.2	210/ 1	10350716	Resistor 82E 5% 1/4W	01-04-00		1.0000	st
.2	220/ 1	10400284	Elco 10uF/50V radial R5.0	01-04-00		1.0000	st
.2	230/ 1	10400308	Elco 680uF/100V axial	01-04-00		1.0000	st
.2	240/ 1	10400293	Elco 220uF/ 63V radial R5.0	01-04-00		1.0000	st
.2	250/ 1	10350842	Resistor 3k01 1% 1/4W	01-04-00		1.0000	st
.2	260/ 1	10250345	Rect. B80C1500 (round)	01-04-00		1.0000	st
.2	270/ 1	10720662	Heatsink KL-169/SW T0-220	01-04-00		1.0000	st
.2	280/ 1	10250020	IC TL783 (high volt.reg.)	01-04-00		1.0000	st
1	390/ 1	20851231	PCB ins Airmate-1p(st.Aux)	01-04-00		8.0000	st
.2	10/ 1	10250350	Zenerdiode 18V0/400mW	01-04-00		8.0000	st
.2	20/ 1	10250342	Diode 1N4148 (signal)	01-04-00		16.0000	st
.2	30/ 1	10350703	Resistor 2E2 5% 1/4W	01-04-00		32.0000	st
.2	40/ 1	10350717	Resistor 100E 5% 1/4W	01-04-00		8.0000	st
.2	50/ 1	10350729	Resistor 1k0 5% 1/4W	01-04-00		16.0000	st
.2	60/ 1	10350733	Resistor 2k2 5% 1/4W	01-04-00		16.0000	st
.2	70/ 1	10350735	Resistor 3k3 5% 1/4W	01-04-00		24.0000	st
.2	80/ 1	10350736	Resistor 3k9 5% 1/4W	01-04-00		32.0000	st
.2	100/ 1	10350739	Resistor 6k8 5% 1/4W	01-04-00		32.0000	st
.2	110/ 1	10350741	Resistor 10K 5% 1/4W	01-04-00		120.0000	st
.2	120/ 1	10350743	Resistor 15k 5% 1/4W	01-04-00		16.0000	st
.2	130/ 1	10350744	Resistor 18k 5% 1/4W	01-04-00		32.0000	st
.2	140/ 1	10350745	Resistor 22k 5% 1/4W	01-04-00		16.0000	st
.2	150/ 1	10350753	Resistor 100K 5% 1/4W	01-04-00		80.0000	st
.2	160/ 1	10350757	Resistor 220k 5% 1/4W	01-04-00		24.0000	st
.2	170/ 1	10350760	Resistor 390k 5% 1/4W	01-04-00		8.0000	st
.2	180/ 1	10350761	Resistor 470k 5% 1/4W	01-04-00		8.0000	st
.2	190/ 1	10350776	Resistor 10M 5% 1/4W	01-04-00		16.0000	st
.2	200/ 1	10350912	Resistor 1k00 1% 1/4W	01-04-00		16.0000	st
.2	210/ 1	10350846	Resistor 6k81 1% 1/4W	01-04-00		16.0000	st
.2	220/ 1	10350848	Resistor 10k0 1% 1/4W	01-04-00		16.0000	st
.2	230/ 1	10400213	Capacitor 10p R2.5 kerk	01-04-00		64.0000	st
.2	240/ 1	10401241	Capacitor 100n/50V R5.0 ker	01-04-00		80.0000	st
.2	250/ 1	10401246	Capacitor 1n0 R5.0 poly	01-04-00		16.0000	st
.2	260/ 1	10401247	Capacitor 1n5 R5.0 poly	01-04-00		16.0000	st
.2	270/ 1	10401251	Capacitor 6n8 R5.0 poly	01-04-00		16.0000	st
.2	280/ 1	10401263	Capacitor 180n R5.0 poly	01-04-00		32.0000	st
.2	290/ 1	10250306	IC NE5534 AP TI (single-opamp)	01-04-00		8.0000	st
.2	300/ 1	10250304	IC TL072 CP TI DIL-8	01-04-00		8.0000	st
.2	310/ 1	10250305	IC TL074 CN TI (quad-opamp)	01-04-00		8.0000	st
.2	320/ 1	10250332	Transistor BC337/25-RR Tape!!!	01-04-00		8.0000	st
.2	330/ 1	10550001	Relay DIC121000 1xchngc minid	01-04-00		8.0000	st
.2	340/ 1	10400279	Elco 1uF/100V radial R5.0	01-04-00		24.0000	st
.2	350/ 1	10400289	Elco 47uF/ 63V radial R5.0	01-04-00		16.0000	st
.2	360/ 1	10400292	Elco 100uF/ 25V rad R5.0	01-04-00		96.0000	st
.2	370/ 1	10600505	Header 2p pin 0° sngl	01-04-00		16.0000	st
.2	380/ 1	10600511	Header 3P Lock 0° R 2.54	01-04-00		16.0000	st
.2	390/ 1	10600478	Header 4P 0° R 2.54	01-04-00		56.0000	st

Makartikel : 60890262 AIRMATE STEREO-AUX Vrd.eenh. : st
Revisie :

Niveau	Positie	Artikel	Omschrijving	Ingangs- datum	Verval- datum	Netto hoeveelheid	Vrd eh.
.2	400/ 1	10600512	Header 4P Lock 0° 2.54	01-04-00		8.0000	st
.2	410/ 1	10600535	Conn Cinch 4xPCB gold pl bush	01-04-00		8.0000	st
.2	420/ 1	10600530	Jack Break slimline S253-84	01-04-00		8.0000	st
.2	430/ 1	10600456	Header 20p 90° R2.54	01-04-00		8.0000	st
.2	440/ 1	10600238	XLR chas 3p fem X907-02	01-04-00		8.0000	st
.2	450/ 1	10550414	Switch Alps 2pole mini NS	01-04-00		8.0000	st
.2	460/ 1	10550401	Switch Alps 4p-ns (4x om)	01-04-00		16.0000	st
.2	470/ 1	10550415	Switch Alps 4pole mini NS	01-04-00		8.0000	st
.2	480/ 1	10300423	RK09 10KAx2 Short version	01-04-00		8.0000	st
.2	490/ 1	10300421	RK09 10KBx2cc Short version	01-04-04		24.0000	st
.2	500/ 1	10300420	RK09 10KBx2cc Short version	01-04-04		8.0000	st
.2	510/ 1	10600394	IC-socket 8 pins	01-04-00		16.0000	st
.2	520/ 1	10600395	IC-socket 14 pins: fork-contact	01-04-00		8.0000	st
.2	530/ 1	10201220	PCB Airmate-1p Channel	01-04-00		8.0000	st
.2	540/ 1	10600414	Shunt 2p (mini jumper)	01-04-00		48.0000	st
.2	550/ 1	10600510	Header 2P Lock 0° 2.54	20-04-04		8.0000	st
.2	560/ 1	10205039	Bestuk Airmate-1p PCB	20-04-04		0.0000	st
1	400/ 1	20851232	PCB ins Airmate-2p (st. Aux)	01-04-00		1.0000	st
.2	10/ 1	10250342	Diode 1N4148 (signal)	06-04-00		4.0000	st
.2	20/ 1	10250340	Zenerdiode 2V4 / 400mW	06-04-00		2.0000	st
.2	30/ 1	10350703	Resistor 2E2 5% 1/4W	06-04-00		4.0000	st
.2	40/ 1	10350707	Resistor 15E 5% 1/4W	06-04-00		2.0000	st
.2	50/ 1	10350713	Resistor 47E 5% 1/4W	06-04-00		6.0000	st
.2	60/ 1	10350717	Resistor 100E 5% 1/4W	06-04-00		3.0000	st
.2	70/ 1	10350729	Resistor 1k0 5% 1/4W	06-04-00		2.0000	st
.2	80/ 1	10350737	Resistor 4k7 5% 1/4W	06-04-00		2.0000	st
.2	90/ 1	10350741	Resistor 10K 5% 1/4W	06-04-00		15.0000	st
.2	100/ 1	10350749	Resistor 47K 5% 1/4W	06-04-00		2.0000	st
.2	110/ 1	10350750	Resistor 56k 5% 1/4W	06-04-00		1.0000	st
.2	120/ 1	10350753	Resistor 100K 5% 1/4W	06-04-00		4.0000	st
.2	130/ 1	10350756	Resistor 180k 5% 1/4W	06-04-00		1.0000	st
.2	140/ 1	10350757	Resistor 220k 5% 1/4W	06-04-00		1.0000	st
.2	150/ 1	10350758	Resistor 270k 5% 1/4W	06-04-00		1.0000	st
.2	160/ 1	10350760	Resistor 390k 5% 1/4W	06-04-00		1.0000	st
.2	170/ 1	10350776	Resistor 10M 5% 1/4W	06-04-00		2.0000	st
.2	180/ 1	10350909	Resistor 21E5 1% 1/4W	06-04-00		2.0000	st
.2	190/ 1	10350808	Resistor 33E2 1% 1/4W	06-04-00		1.0000	st
.2	200/ 1	10350807	Resistor 47E5 1% 1/4W	06-04-00		1.0000	st
.2	210/ 1	10350911	Resistor 64E9 1% 1/4W	06-04-00		1.0000	st
.2	220/ 1	10350809	Resistor 88E7 1% 1/4W	06-04-00		2.0000	st
.2	230/ 1	10350805	Resistor 133E 1% 1/4W	06-04-00		1.0000	st
.2	240/ 1	10350906	Resistor 158E 1% 1/4W	06-04-00		1.0000	st
.2	250/ 1	10350812	Resistor 205E 1% 1/4W	06-04-00		1.0000	st
.2	260/ 1	10350887	Resistor 249E 1% 1/4W	06-04-00		1.0000	st
.2	270/ 1	10350815	Resistor 316E 1% 1/4W	06-04-00		1.0000	st
.2	280/ 1	10350818	Resistor 392E 1% 1/4W	06-04-00		1.0000	st
.2	290/ 1	10350898	Resistor 499E 1% 1/4W	06-04-00		1.0000	st
.2	300/ 1	10350902	Resistor 634E 1% 1/4W	06-04-00		1.0000	st
.2	310/ 1	10350825	Resistor 768E 1% 1/4W	06-04-00		1.0000	st
.2	320/ 1	10350912	Resistor 1k00 1% 1/4W	06-04-00		1.0000	st
.2	330/ 1	10350853	Resistor 15k8 1% 1/4W	06-04-00		8.0000	st

Makartikel : 60890262 AIRMATE STEREO-AUX Vrd.eenh. : st
Revisie :

Niveau	Positie	Artikel	Omschrijving	Ingangs- datum	Verval- datum	Netto hoeveelheid	Vrd eh.
.2	340/ 1	10400213	Capacitor 10p R2.5 kerk	06-04-00		7.0000	st
.2	350/ 1	10400217	Capacitor 22p R2.5 3nm	06-04-00		4.0000	st
.2	360/ 1	10401241	Capacitor 100n/50V R5.0 ker	06-04-00		21.0000	st
.2	370/ 1	10401268	Capacitor 1uF R5.0 poly	06-04-00		1.0000	st
.2	380/ 1	10300166	Trimmer 20k 15turn (T18)	06-04-00		2.0000	st
.2	390/ 1	10250325	IC 78L12 T092 SGS (volt.reg)	06-04-00		1.0000	st
.2	400/ 1	10250316	IC LMB39 (comparator)	06-04-00		5.0000	st
.2	410/ 1	10250307	IC NE5532 AP TI (dual-opamp)	06-04-00		3.0000	st
.2	420/ 1	10250304	IC TL072 CP TI DIL-8	06-04-00		3.0000	st
.2	430/ 1	10250333	Transistor BC327/25-RR (TAPE)	06-04-00		2.0000	st
.2	440/ 1	10250332	Transistor BC337/25-RR Tape!!!	06-04-00		1.0000	st
.2	450/ 1	10250338	Fet J112 (N-channel switch)	06-04-00		2.0000	st
.2	460/ 1	10400280	Elco 2u2/50V radial R5.0	06-04-00		1.0000	st
.2	470/ 1	10400292	Elco 100uF/ 25V rad R5.0	06-04-00		17.0000	st
.2	480/ 1	10600511	Header 3P Lock 0° R 2.54	06-04-00		2.0000	st
.2	490/ 1	10600535	Conn Cinch 4xPCB gold pl bush	06-04-00		1.0000	st
.2	500/ 1	10600452	Header 10p 90° R2.54	06-04-00		1.0000	st
.2	510/ 1	10600456	Header 20p 90° R2.54	06-04-00		1.0000	st
.2	520/ 1	10600798	XLR chass male pl X906-02	06-04-00		1.0000	st
.2	530/ 1	10550414	Switch Alps 2pole mini NS	06-04-00		1.0000	st
.2	540/ 1	10550415	Switch Alps 4pole mini NS	06-04-00		2.0000	st
.2	560/ 1	10300423	RK09 10KAx2 Short version	21-04-04		2.0000	st
.2	570/ 1	10201221	PCB Airmate-2p (Mstr-1)	06-04-00		1.0000	st
.2	580/ 1	10600394	IC-socket 8 pins	06-04-00		6.0000	st
.2	590/ 1	10600395	IC-socket 14 pins: fork-contact	06-04-00		5.0000	st
1	410/ 1	20851213	PCB ins. D43 (masterR)	01-04-00		1.0000	st
.2	10/ 1	10250342	Diode 1N4148 (signal)	06-04-00		4.0000	st
.2	20/ 1	10250340	Zenerdiode 2V4 / 400mW	06-04-00		2.0000	st
.2	30/ 1	10350703	Resistor 2E2 5% 1/4W	06-04-00		4.0000	st
.2	40/ 1	10350707	Resistor 15E 5% 1/4W	06-04-00		2.0000	st
.2	50/ 1	10350713	Resistor 47E 5% 1/4W	06-04-00		2.0000	st
.2	60/ 1	10350717	Resistor 100E 5% 1/4W	06-04-00		7.0000	st
.2	70/ 1	10350727	Resistor 680E 5% 1/4W	06-04-00		2.0000	st
.2	80/ 1	10350729	Resistor 1k0 5% 1/4W	06-04-00		2.0000	st
.2	90/ 1	10350733	Resistor 2k2 5% 1/4W	06-04-00		2.0000	st
.2	100/ 1	10350734	Resistor 2k7 5% 1/4W	06-04-00		2.0000	st
.2	110/ 1	10350737	Resistor 4k7 5% 1/4W	06-04-00		8.0000	st
.2	120/ 1	10350741	Resistor 10K 5% 1/4W	06-04-00		9.0000	st
.2	130/ 1	10350743	Resistor 15k 5% 1/4W	06-04-00		2.0000	st
.2	140/ 1	10350745	Resistor 22k 5% 1/4W	06-04-00		4.0000	st
.2	150/ 1	10350749	Resistor 47K 5% 1/4W	06-04-00		6.0000	st
.2	160/ 1	10350750	Resistor 56k 5% 1/4W	06-04-00		1.0000	st
.2	170/ 1	10350753	Resistor 100K 5% 1/4W	06-04-00		8.0000	st
.2	180/ 1	10350756	Resistor 180k 5% 1/4W	06-04-00		1.0000	st
.2	190/ 1	10350758	Resistor 270k 5% 1/4W	06-04-00		1.0000	st
.2	200/ 1	10350760	Resistor 390k 5% 1/4W	06-04-00		1.0000	st
.2	210/ 1	10350776	Resistor 10M 5% 1/4W	06-04-00		4.0000	st
.2	220/ 1	10350909	Resistor 21E5 1% 1/4W	06-04-00		2.0000	st
.2	230/ 1	10350808	Resistor 33E2 1% 1/4W	06-04-00		1.0000	st
.2	240/ 1	10350807	Resistor 47E5 1% 1/4W	06-04-00		1.0000	st
.2	250/ 1	10350911	Resistor 64E9 1% 1/4W	06-04-00		1.0000	st

Makartikel : 60890262 AIRMATE STEREO-AUX Vrd.eenh. : st
Revisie :

Niveau	Positie	Artikel	Onschrijving	Ingangs- datum	Verval- datum	Netto hoeveelheid	Vrd eh.
.2	260/ 1	10350809	Resistor 88E7 1% 1/4W	06-04-00		2.0000	st
.2	270/ 1	10350805	Resistor 133E 1% 1/4W	06-04-00		1.0000	st
.2	280/ 1	10350906	Resistor 158E 1% 1/4W	06-04-00		1.0000	st
.2	290/ 1	10350812	Resistor 205E 1% 1/4W	06-04-00		1.0000	st
.2	300/ 1	10350887	Resistor 249E 1% 1/4W	06-04-00		1.0000	st
.2	310/ 1	10350815	Resistor 316E 1% 1/4W	06-04-00		1.0000	st
.2	320/ 1	10350818	Resistor 392E 1% 1/4W	06-04-00		1.0000	st
.2	330/ 1	10350898	Resistor 499E 1% 1/4W	06-04-00		1.0000	st
.2	340/ 1	10350902	Resistor 634E 1% 1/4W	06-04-00		1.0000	st
.2	350/ 1	10350825	Resistor 768E 1% 1/4W	06-04-00		1.0000	st
.2	360/ 1	10350912	Resistor 1k00 1% 1/4W	06-04-00		1.0000	st
.2	370/ 1	10350835	Resistor 2k00 1% 1/4W	06-04-00		2.0000	st
.2	380/ 1	10400213	Capacitor 10p R2.5 kerk	06-04-00		7.0000	st
.2	390/ 1	10400217	Capacitor 22p R2.5 3nm	06-04-00		2.0000	st
.2	400/ 1	10401241	Capacitor 100n/50V R5.0 ker	06-04-00		17.0000	st
.2	410/ 1	10401268	Capacitor 1uF R5.0 poly	06-04-00		1.0000	st
.2	420/ 1	10300166	Trimmer 20k 15turn (T18)	06-04-00		1.0000	st
.2	430/ 1	10250325	IC 78L12 T092 SGS (volt.reg)	06-04-00		1.0000	st
.2	440/ 1	10250316	IC LMB39 (comparator)	06-04-00		5.0000	st
.2	450/ 1	10250307	IC NE5532 AP TI (dual-opamp)	06-04-00		1.0000	st
.2	460/ 1	10250304	IC TL072 CP TI DIL-8	06-04-00		2.0000	st
.2	470/ 1	10250305	IC TL074 CN TI (quad-opamp)	06-04-00		1.0000	st
.2	480/ 1	10250333	Transistor BC327/25-RR (TAPE)	06-04-00		2.0000	st
.2	490/ 1	10250332	Transistor BC337/25-RR Tape!!!	06-04-00		1.0000	st
.2	500/ 1	10250338	Fet J112 (N-channel switch)	06-04-00		2.0000	st
.2	510/ 1	10250017	Fet J175 (P-channel switch)	06-04-00		2.0000	st
.2	520/ 1	10400280	Elco 2u2/50V radial R5.0	06-04-00		1.0000	st
.2	530/ 1	10400292	Elco 100uF/ 25V rad R5.0	06-04-00		17.0000	st
.2	540/ 1	10600478	Header 4P 0° R 2.54	06-04-00		1.0000	st
.2	550/ 1	10600512	Header 4P Lock 0° 2.54	06-04-00		1.0000	st
.2	560/ 1	10600535	Conn Cinch 4xPCB gold pl bush	06-04-00		1.0000	st
.2	570/ 1	10600452	Header 10p 90° R2.54	06-04-00		1.0000	st
.2	580/ 1	10600456	Header 20p 90° R2.54	06-04-00		1.0000	st
.2	590/ 1	10600798	XLR chass male pl X906-02	06-04-00		1.0000	st
.2	600/ 1	10550415	Switch Alps 4pole mini NS	06-04-00		3.0000	st
.2	610/ 1	10300423	RK09 10KAx2 Short version	06-04-00		2.0000	st
.2	620/ 1	10300420	RK09 10KBx2cc Short version	06-04-00		1.0000	st
.2	630/ 1	10201213	PCB D43-B (master right)	06-04-00		1.0000	st
.2	640/ 1	10600394	IC-socket 8 pins	06-04-00		3.0000	st
.2	650/ 1	10600395	IC-socket 14 pins: fork-contact	06-04-00		6.0000	st
.2	660/ 1	10600414	Shunt 2p (mini jumper)	06-04-00		2.0000	st
1	420/ 1	20851214	PCB ins. D44 (airmate)	01-04-00		1.0000	st
.2	10/ 1	10250350	Zenerdiode 18V0/400mW	01-04-00		1.0000	st
.2	20/ 1	10250342	Diode 1N4148 (signal)	01-04-00		3.0000	st
.2	30/ 1	10350703	Resistor 2E2 5% 1/4W	01-04-00		4.0000	st
.2	40/ 1	10350709	Resistor 22E 5% 1/4W	01-04-00		1.0000	st
.2	50/ 1	10350713	Resistor 47E 5% 1/4W	01-04-00		1.0000	st
.2	60/ 1	10350717	Resistor 100E 5% 1/4W	01-04-00		3.0000	st
.2	70/ 1	10350725	Resistor 470E 5% 1/4W	01-04-00		1.0000	st
.2	80/ 1	10350736	Resistor 3k9 5% 1/4W	01-04-00		3.0000	st
.2	90/ 1	10350737	Resistor 4k7 5% 1/4W	01-04-00		2.0000	st

Makartikel : 60890262 AIRMATE STEREO-AUX Vrd.eenh. : st
Revisie :

Niveau	Positie	Artikel	Omschrijving	Ingangs- datum	Verval- datum	Netto hoeveelheid	Vrd eh.
.2	100/ 1	10350741	Resistor 10K 5% 1/4W	01-04-00		5.0000	st
.2	110/ 1	10350747	Resistor 33k 5% 1/4W	01-04-00		1.0000	st
.2	120/ 1	10350749	Resistor 47K 5% 1/4W	01-04-00		5.0000	st
.2	130/ 1	10350753	Resistor 100K 5% 1/4W	01-04-00		3.0000	st
.2	140/ 1	10350757	Resistor 220k 5% 1/4W	01-04-00		1.0000	st
.2	150/ 1	10350760	Resistor 390k 5% 1/4W	01-04-00		1.0000	st
.2	160/ 1	10350853	Resistor 15k8 1% 1/4W	01-04-00		2.0000	st
.2	170/ 1	10400213	Capacitor 10p R2.5 kerk	01-04-00		3.0000	st
.2	180/ 1	10400217	Capacitor 22p R2.5 3nm	01-04-00		1.0000	st
.2	190/ 1	10400223	Capacitor 68p R2.5 ker	01-04-00		1.0000	st
.2	200/ 1	10401241	Capacitor 100n/50V R5.0 ker	01-04-00		10.0000	st
.2	210/ 1	10401253	Capacitor 10n R5.0 poly	01-04-00		1.0000	st
.2	220/ 1	10250307	IC NE5532 AP TI (dual-opamp)	01-04-00		1.0000	st
.2	230/ 1	10250306	IC NE5534 AP TI (single-opamp)	01-04-00		1.0000	st
.2	240/ 1	10250304	IC TL072 CP TI DIL-8	01-04-00		1.0000	st
.2	250/ 1	10250333	Transistor BC327/25-RR (TAPE)	01-04-00		1.0000	st
.2	260/ 1	10550001	Relay D1C121000 1xchnge minid	01-04-00		1.0000	st
.2	270/ 1	10400287	Elco 47uF/ 25V radial R5.0	01-04-00		1.0000	st
.2	280/ 1	10400281	Elco 4u7/ 50V radial R5.0	01-04-00		1.0000	st
.2	290/ 1	10400292	Elco 100uF/ 25V rad R5.0	01-04-00		12.0000	st
.2	300/ 1	10600478	Header 4P 0° R 2.54	01-04-00		1.0000	st
.2	310/ 1	10600506	Header 10P box 0° 2.54	01-04-00		1.0000	st
.2	320/ 1	10600452	Header 10p 90° R2.54	01-04-00		1.0000	st
.2	330/ 1	10600456	Header 20p 90° R2.54	01-04-00		1.0000	st
.2	340/ 1	10550414	Switch Alps 2pole mini NS	01-04-00		5.0000	st
.2	350/ 1	10550395	Switch Alps 2p-ns MDMENT	01-04-00		1.0000	st
.2	360/ 1	10550415	Switch Alps 4pole mini NS	01-04-00		1.0000	st
.2	370/ 1	10300422	RK09 20KA Short version	01-04-00		1.0000	st
.2	380/ 1	10300423	RK09 10KAx2 Short version	01-04-00		1.0000	st
.2	390/ 1	10300420	RK09 10KBx2cc Short version	01-04-00		1.0000	st
.2	400/ 1	10201214	PCB D44-b (conn)	01-04-00		1.0000	st
.2	410/ 1	10600394	IC-socket 8 pins	01-04-00		3.0000	st
1	430/ 1	20851215	PCB ins. D45 (airmate)	01-04-00		1.0000	st
.2	10/ 1	10600512	Header 4P Lock 0° 2.54	01-04-00		1.0000	st
.2	20/ 1	10600478	Header 4P 0° R 2.54	01-04-00		1.0000	st
.2	30/ 1	10600535	Conn Cinch 4xPCB gold pl bush	01-04-00		1.0000	st
.2	40/ 1	10600530	Jack Break slimline S253-84	01-04-00		2.0000	st
.2	50/ 1	10201215	PCB D45-b (tape)	01-04-00		1.0000	st
.2	60/ 1	10600506	Header 10P box 0° 2.54	01-04-00		1.0000	st
1	440/ 1	10800958	Schuimblok 40x140x280mm	01-04-00		3.0000	st
1	450/ 1	10600007	Cablesocket + hole MB red	01-04-00		1.0000	st
1	460/ 1	10700929	Bout MBx20 RVS D7985 BCK	01-04-00		1.0000	st
1	470/ 1	10700786	Taptite MBx5 verzkop/pozi dr/zw	01-04-00		20.0000	st
1	480/ 1	10700787	Taptite MBx6 bolkopozidr/zwrt	01-04-00		5.0000	st
1	490/ 1	10990703	FUSE 500mA slow 5x20mm	01-04-00		1.0000	st
1	500/ 1	10600016	Cablesocket + hole M5 blue	01-04-00		1.0000	st
1	510/ 1	10700610	Mber MB	01-04-00		3.0000	st
1	520/ 1	10600163	Conn 2p (2.54)	01-04-00		1.0000	st
1	530/ 1	10300079	Fader ALPS-RS60N12B9 10KAx2ver	01-04-00		2.0000	st
1	540/ 1	10970912	Microphone. (condens) (talkback)	01-04-00		1.0000	st
1	550/ 1	10550016	Switch K-ALPS faders detector	01-04-00		8.0000	st

Makartikel : 60890262 AIRMATE STEREO-AUX Vrd.eenh. : st
Revisie :

Niveau	Positie	Artikel	Omschrijving	Ingangs- datum	Verval- datum	Netto hoeveelheid	Vrd eh.
1	560/ 1	10700602	Bout M2x12 verzonken blank	01-04-00		8.0000	st
1	570/ 1	10700666	Mber M2 D-934 staal verzinkt	01-04-00		8.0000	st
1	580/ 1	10600174	Conn 4p wrd 2U084-243-D289	01-04-00		1.0000	st
1	590/ 1	10650446	Flatcable 10p r1.27	01-04-00		30.0000	cm
1	600/ 1	10600434	Conn flatcable 10p female	01-04-00		6.0000	st
1	610/ 1	10700788	Taptite M8x8 verzkop/pozidr/zw	01-04-00		7.0000	st
1	620/ 1	10500682	Shrinksleeve 6.4>3.2 black	01-04-00		9.0000	cm
1	630/ 1	10650375	Montagesnoer 0,4 mm ² (groen)	01-04-00		40.0000	cm
1	640/ 1	10500683	Shrinksleeve 3.2>1.6 black	01-04-00		2.0000	cm
1	650/ 1	10700975	Tape Tesafix 4970 12mm dubbelz	01-04-00		2.0000	cm
1	660/ 1	10700111	Schuimplaat 1200x520x10mm HLTR	01-04-00		0.3300	st
1	670/ 1	10500702	Insul. Plate Airmate PVC	01-04-00		1.0000	st
1	680/ 1	10700910	Kartelring M5 (buitenvertand)	01-04-00		2.0000	st
1	690/ 1	10600175	Conn 5p wired 402-05/50cmsh	01-04-00		1.0000	st
1	700/ 1	10600161	Conn 3p (2.54)	01-04-00		1.0000	st
1	710/ 1	10600465	Conn Crimpcontact 2.54	01-04-00		2.0000	st
1	720/ 1	10700009	Rubber neopreenband 30x2 L=20	16-07-01		20.0000	cm
1	730/ 1	10201410	PCB SW-K-ALPS	01-02-03		8.0000	st
1	740/ 1	10600510	Header 2P Lock 0° 2.54	26-03-03		8.0000	st
1	750/ 1	10600160	Conn 2p wired 1=black 2=green	26-03-03		8.0000	st
1	760/ 1	10201410	PCB SW-K-ALPS	26-03-03		8.0000	st
1	780/ 1	10950570	Ringk 30VA/2x15/1x48+M1 afsch	01-01-03		1.0000	st

AIRMATE DIMENSION DRAWING

