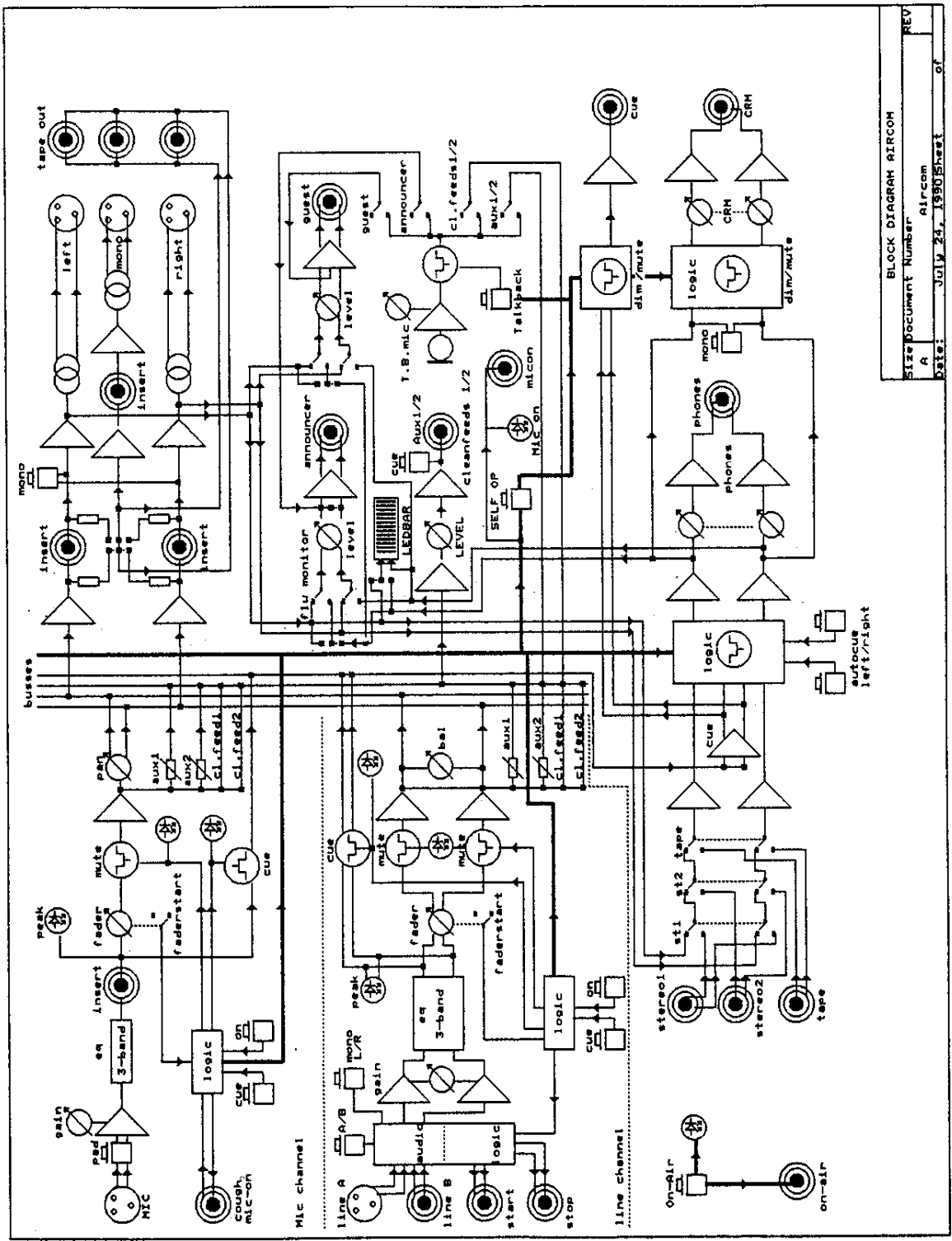




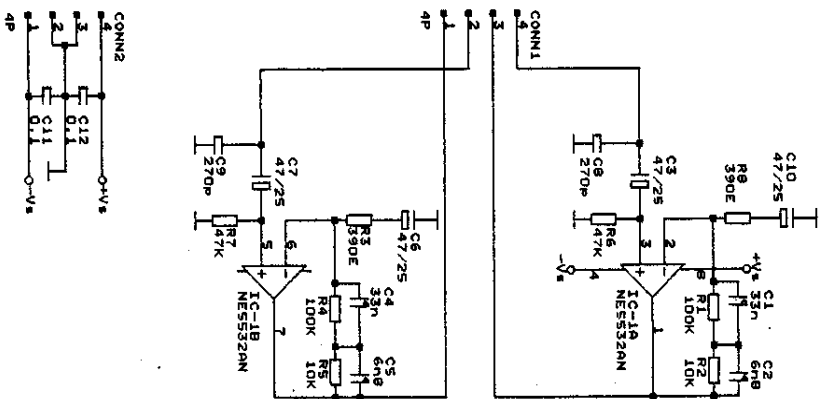
AIRCOM

Service Manual

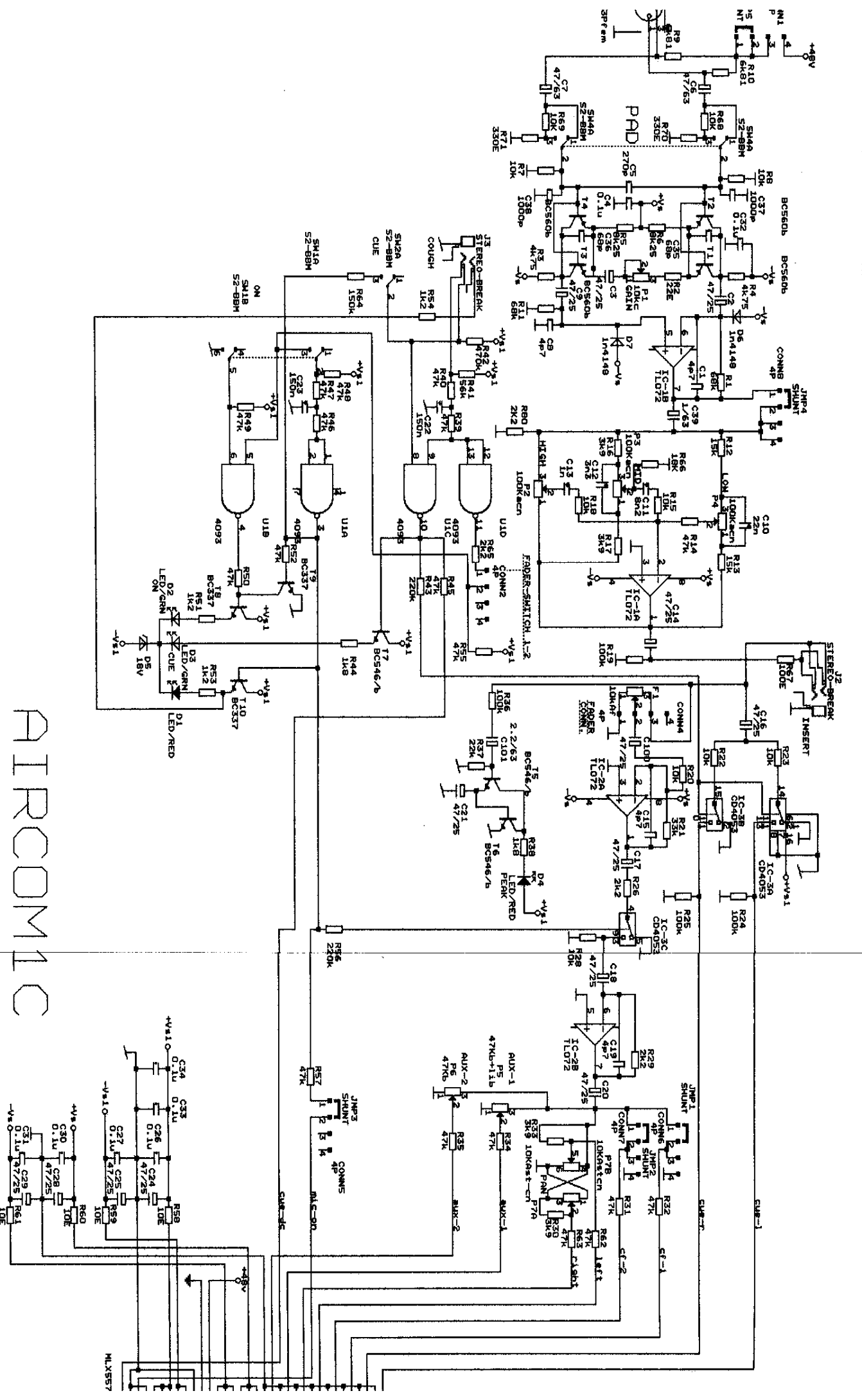
D&R Electronica BV
Rijnkade 15 B
1382 GS Weesp
The Netherlands
Tel: ++31-2940-18014
Fax: ++31-2940-16987



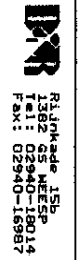
BLOCK DIAGRAM AIRCOM
 Size Document Number A
 Aircom
 Date: JULY 24, 1990 Sheet 01 of 01



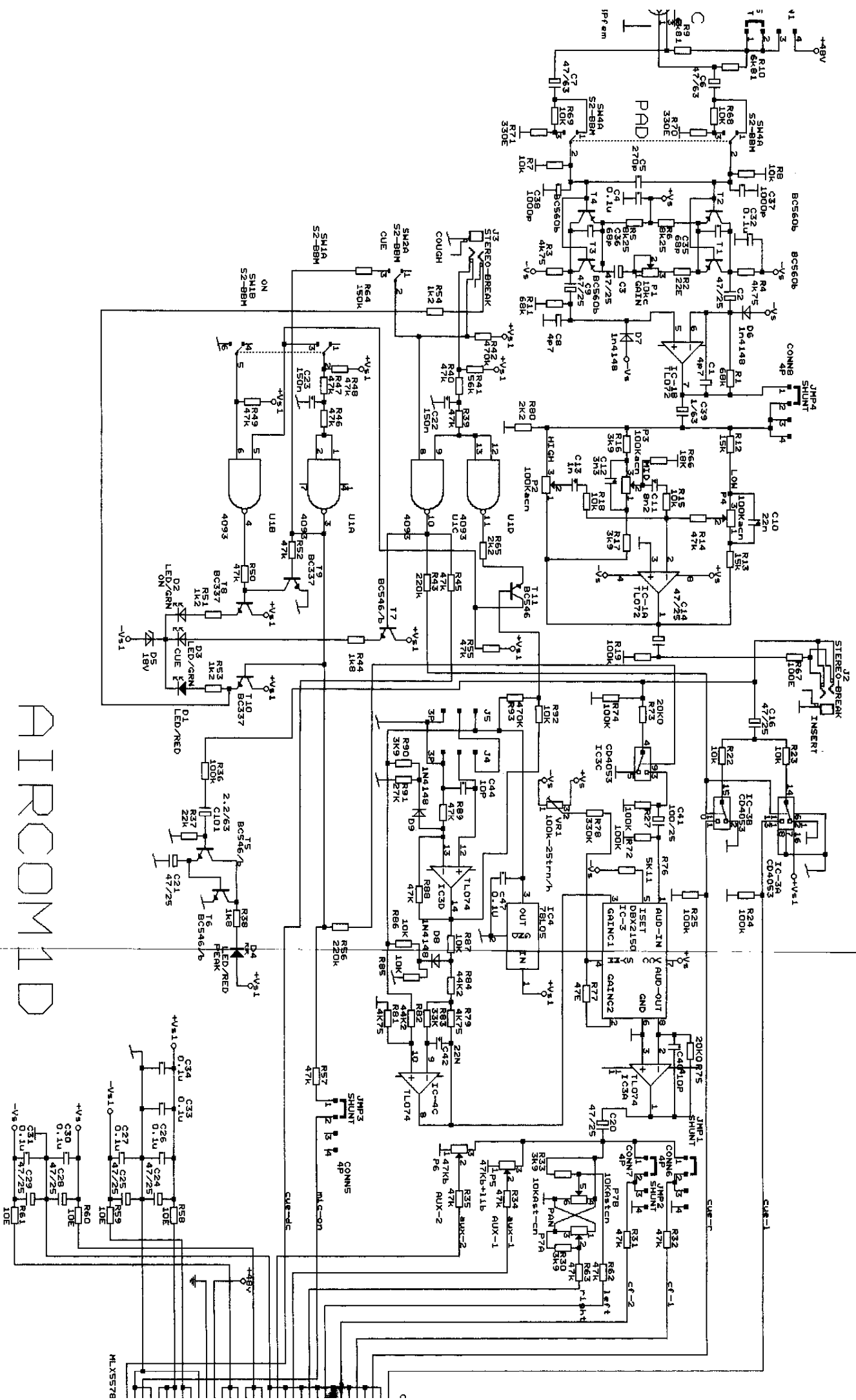
 Rijnkade 18b 1382 GZAA Breda 0244-16914 Fax: 02540-16987 HOLLAND		THIS DRAWING REPLACES PREVIOUS ONES NO. 8 DATE 18-05-1990 DESIGN D. de RIJSE DRAWN R. Bensch AIRCOM Size Document Number A AIRCOM10 R1A Date: MAY 18, 1990 Sheet 1 of 1	
REV			



AIRCOM1C



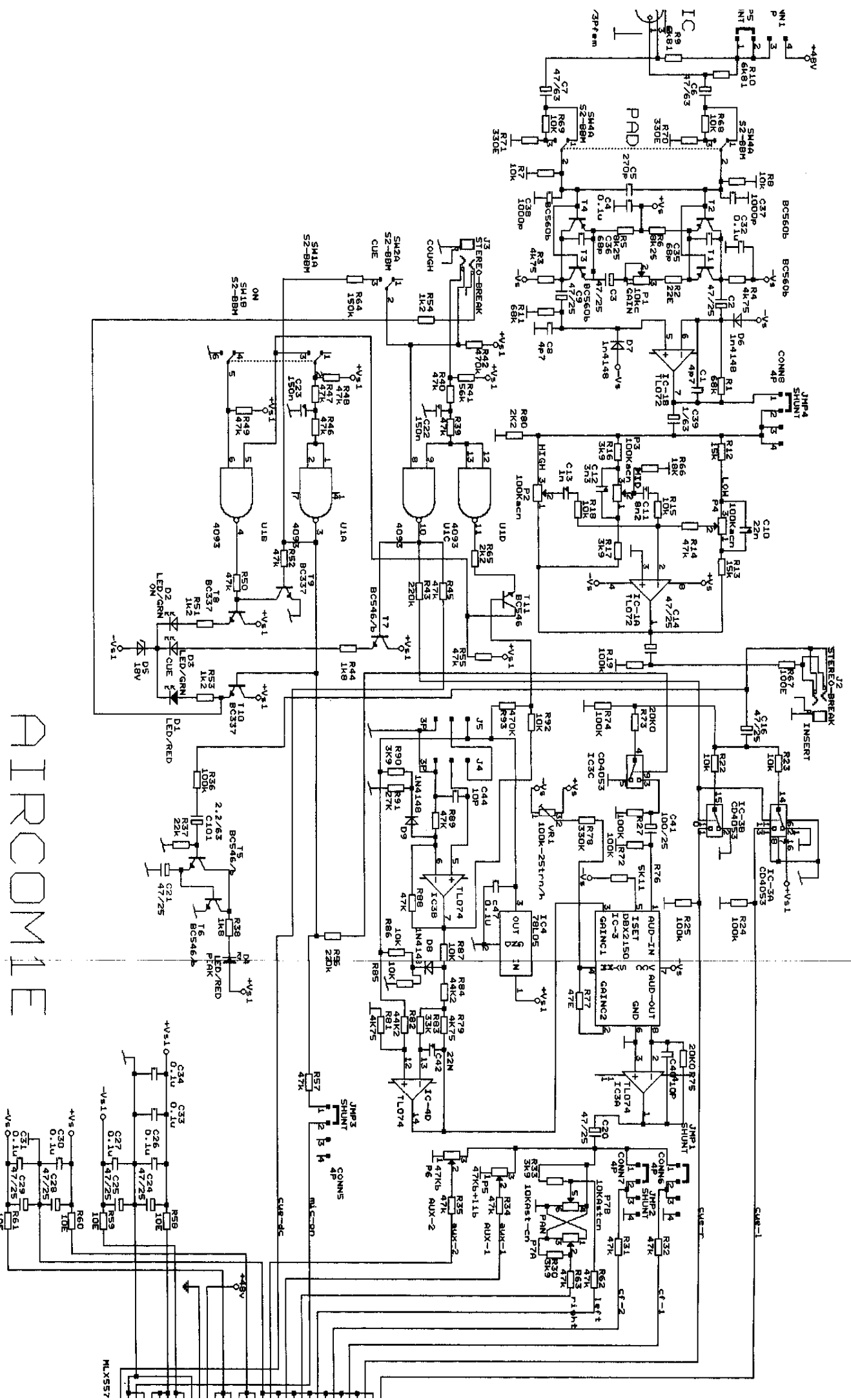
This drawing REPLACES PREVIOUS ONES
 DRAWN P.MICKS
 DATE: JUL 2, 1993
 FILE: AIRCOM1
 STAR DOCUMENT NUMBER: AIRCOM1 M.C. Channel 1
 DRAWN: P.MICKS



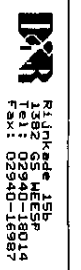
AIRCOM1D

DATE	12-10-89	FILE: AIRCOM1D
DESIGN	B	Size Document Number
DRN	P.MILLICK	Date: Nov 21, 1994 Sheet
REV		of

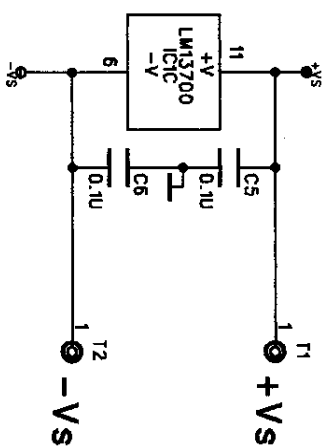
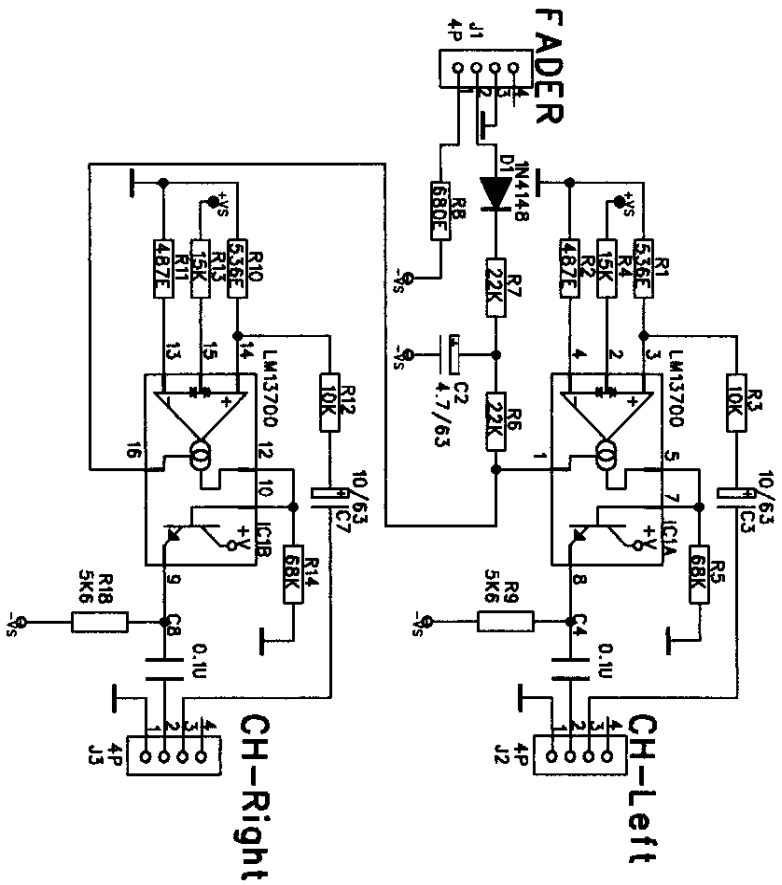
R1-Jmkade 15p
 1382 CS MEESP
 Tel: 02940-18014
 Fax: 02940-16987
DR
 THIS DRAWING REPLACES PREVIOUS ONES



AIRCOM 1E



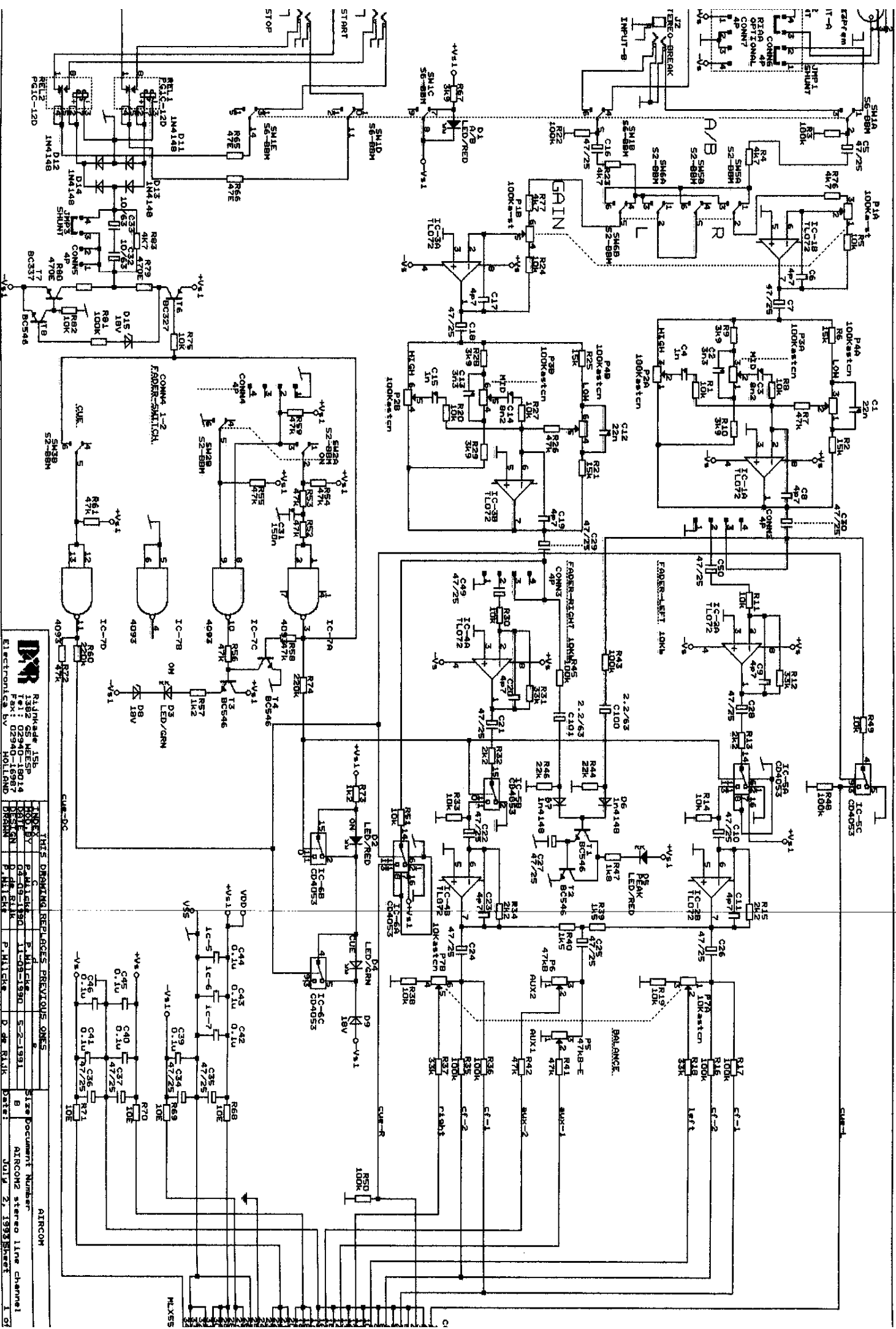
THIS DRAWING REPLACES PREVIOUS ONES		FILE: AIRCOM1E
INDEX	REV. BY	DATE
1332	GS WESP	12-10-81
18014	RELEA	
02340-18987		
Size Document Number		B
Date: November 18, 1991		Sheet
		of




Rinkade 15b
 1382 GS Weesp
 The Netherlands
 phone: 02940-18014
 fax: 02940-16987

D&R Electronica B.V.

Title: VCA-AIRCOM		Rev:
Date: 02-08-1994	Sheet: 1 of 1	B
Design:		



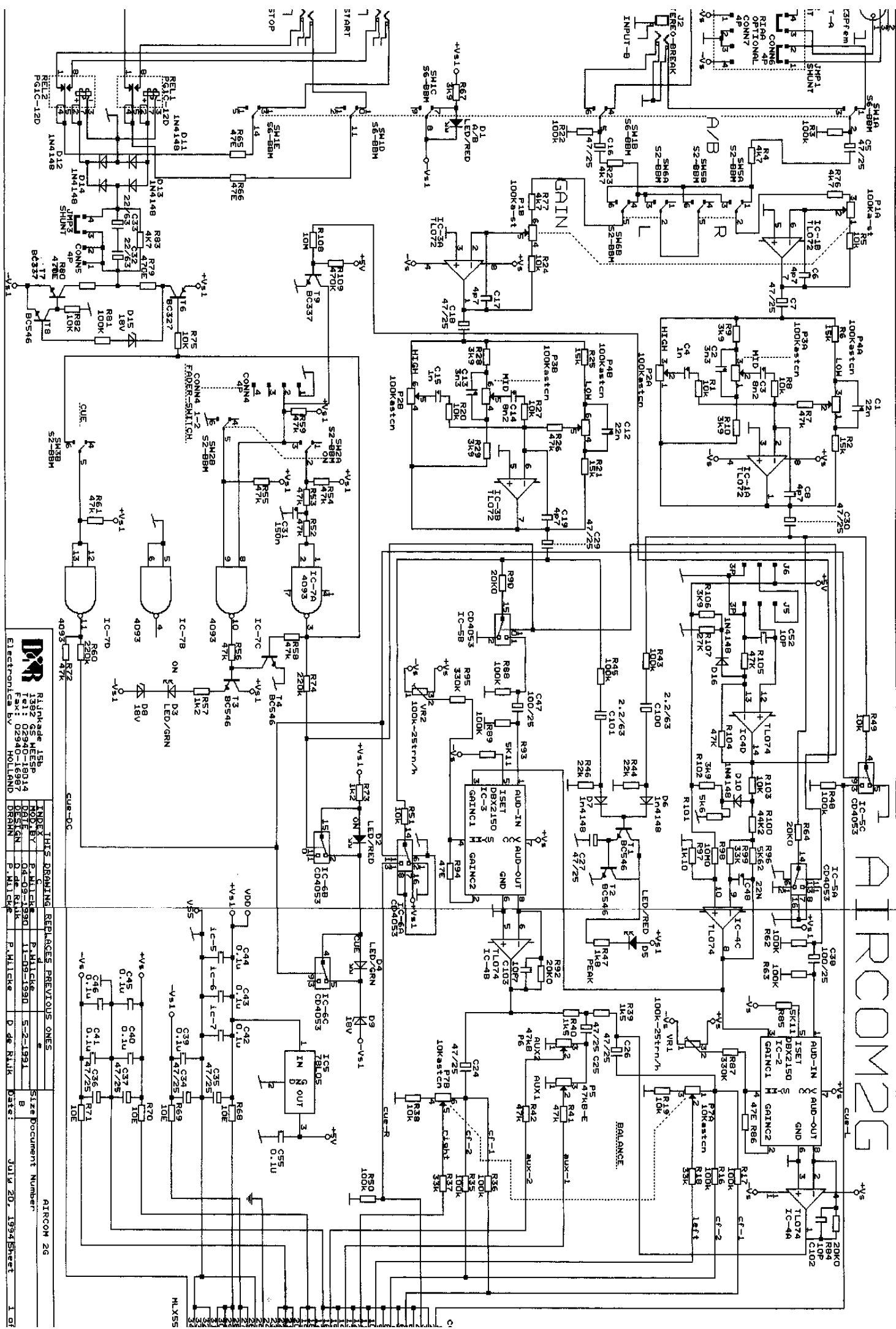

 Rijnshede 15B
 1389 G.S.M. HESBP
 D-3110 Breda
 Fax: 02940-16987
 Elektronica by

THIS DRAWING REPLACES PREVIOUS ONES

NO.	REV.	BY	DATE	DESCRIPTION
1	1	P. M. H. I. C. H.	11-09-1990	Size Document Number B AIRCON2 stereo line channel
2	1	P. M. H. I. C. H.	02-03-1991	Size Document Number B AIRCON2 stereo line channel
3	1	P. M. H. I. C. H.	02-03-1991	Size Document Number B AIRCON2 stereo line channel
4	1	P. M. H. I. C. H.	02-03-1991	Size Document Number B AIRCON2 stereo line channel
5	1	P. M. H. I. C. H.	02-03-1991	Size Document Number B AIRCON2 stereo line channel
6	1	P. M. H. I. C. H.	02-03-1991	Size Document Number B AIRCON2 stereo line channel
7	1	P. M. H. I. C. H.	02-03-1991	Size Document Number B AIRCON2 stereo line channel
8	1	P. M. H. I. C. H.	02-03-1991	Size Document Number B AIRCON2 stereo line channel
9	1	P. M. H. I. C. H.	02-03-1991	Size Document Number B AIRCON2 stereo line channel
10	1	P. M. H. I. C. H.	02-03-1991	Size Document Number B AIRCON2 stereo line channel

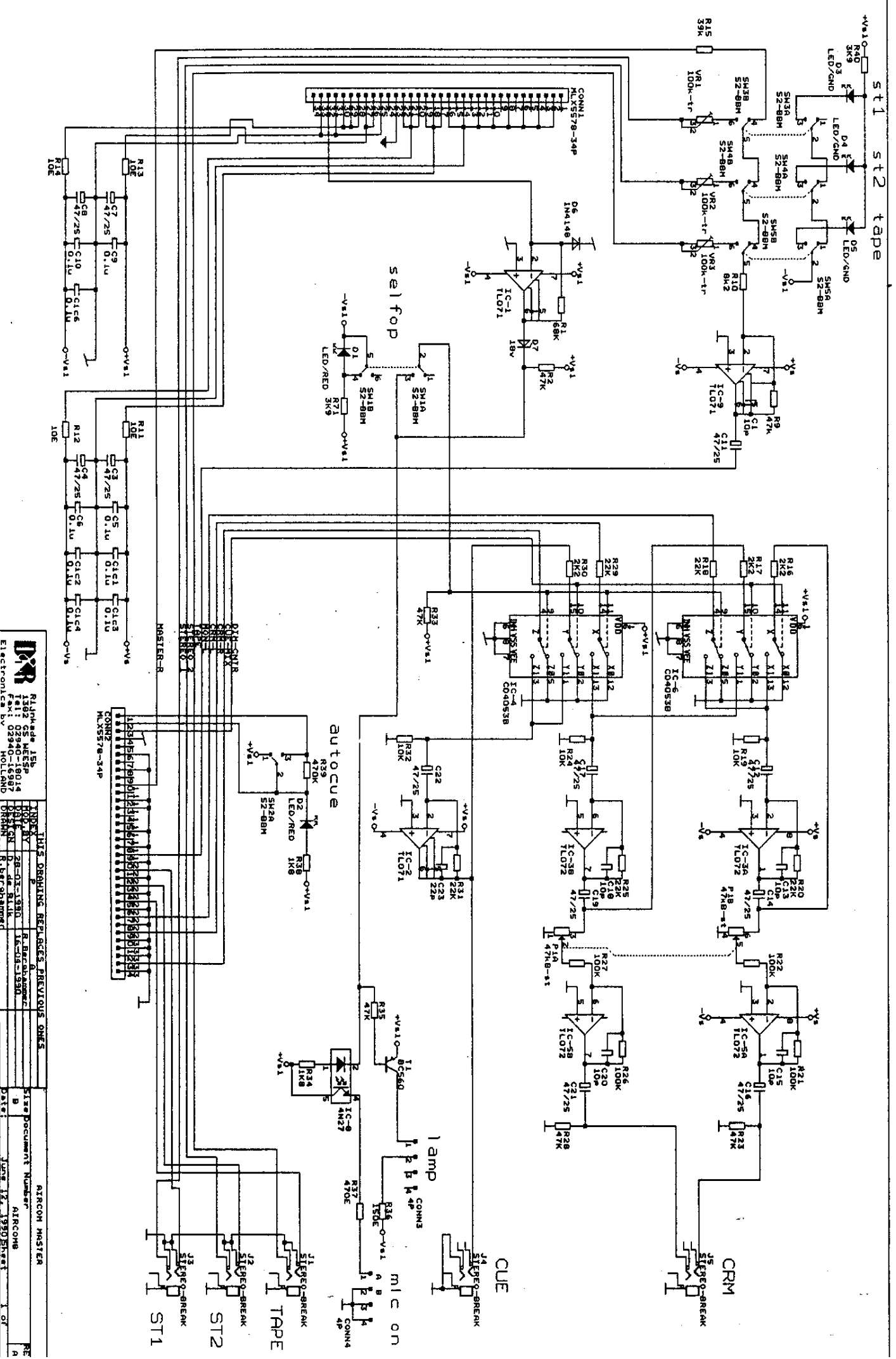
AIRCON
 Size Document Number B AIRCON2 stereo line channel
 10/11 2, 1993 Sheet 1 of 1

AIRCOM 2G



DR Rijkswaarde 15B
 1382 GS WESP
 1382 GS WESP
 Tel: 02940-18014
 Fax: 02940-16987
 DESIGN
 D de Rijk
 P. Miltche
 HOLLAND

INDEX	THIS DRAWING	REPLACES PREVIOUS ONES	SIZE	Document Number
NO. 1	P. Miltche		B	AIRCOM 2G
NO. 2	P. Miltche		B	
NO. 3	P. Miltche		B	
NO. 4	P. Miltche		B	
NO. 5	P. Miltche		B	
NO. 6	P. Miltche		B	
NO. 7	P. Miltche		B	
NO. 8	P. Miltche		B	
NO. 9	P. Miltche		B	
NO. 10	P. Miltche		B	
NO. 11	P. Miltche		B	
NO. 12	P. Miltche		B	
NO. 13	P. Miltche		B	
NO. 14	P. Miltche		B	
NO. 15	P. Miltche		B	
NO. 16	P. Miltche		B	
NO. 17	P. Miltche		B	
NO. 18	P. Miltche		B	
NO. 19	P. Miltche		B	
NO. 20	P. Miltche		B	
NO. 21	P. Miltche		B	
NO. 22	P. Miltche		B	
NO. 23	P. Miltche		B	
NO. 24	P. Miltche		B	
NO. 25	P. Miltche		B	
NO. 26	P. Miltche		B	
NO. 27	P. Miltche		B	
NO. 28	P. Miltche		B	
NO. 29	P. Miltche		B	
NO. 30	P. Miltche		B	
NO. 31	P. Miltche		B	
NO. 32	P. Miltche		B	
NO. 33	P. Miltche		B	
NO. 34	P. Miltche		B	
NO. 35	P. Miltche		B	
NO. 36	P. Miltche		B	
NO. 37	P. Miltche		B	
NO. 38	P. Miltche		B	
NO. 39	P. Miltche		B	
NO. 40	P. Miltche		B	
NO. 41	P. Miltche		B	
NO. 42	P. Miltche		B	
NO. 43	P. Miltche		B	
NO. 44	P. Miltche		B	
NO. 45	P. Miltche		B	
NO. 46	P. Miltche		B	
NO. 47	P. Miltche		B	
NO. 48	P. Miltche		B	
NO. 49	P. Miltche		B	
NO. 50	P. Miltche		B	
NO. 51	P. Miltche		B	
NO. 52	P. Miltche		B	
NO. 53	P. Miltche		B	
NO. 54	P. Miltche		B	
NO. 55	P. Miltche		B	
NO. 56	P. Miltche		B	
NO. 57	P. Miltche		B	
NO. 58	P. Miltche		B	
NO. 59	P. Miltche		B	
NO. 60	P. Miltche		B	
NO. 61	P. Miltche		B	
NO. 62	P. Miltche		B	
NO. 63	P. Miltche		B	
NO. 64	P. Miltche		B	
NO. 65	P. Miltche		B	
NO. 66	P. Miltche		B	
NO. 67	P. Miltche		B	
NO. 68	P. Miltche		B	
NO. 69	P. Miltche		B	
NO. 70	P. Miltche		B	
NO. 71	P. Miltche		B	
NO. 72	P. Miltche		B	
NO. 73	P. Miltche		B	
NO. 74	P. Miltche		B	
NO. 75	P. Miltche		B	
NO. 76	P. Miltche		B	
NO. 77	P. Miltche		B	
NO. 78	P. Miltche		B	
NO. 79	P. Miltche		B	
NO. 80	P. Miltche		B	
NO. 81	P. Miltche		B	
NO. 82	P. Miltche		B	
NO. 83	P. Miltche		B	
NO. 84	P. Miltche		B	
NO. 85	P. Miltche		B	
NO. 86	P. Miltche		B	
NO. 87	P. Miltche		B	
NO. 88	P. Miltche		B	
NO. 89	P. Miltche		B	
NO. 90	P. Miltche		B	
NO. 91	P. Miltche		B	
NO. 92	P. Miltche		B	
NO. 93	P. Miltche		B	
NO. 94	P. Miltche		B	
NO. 95	P. Miltche		B	
NO. 96	P. Miltche		B	
NO. 97	P. Miltche		B	
NO. 98	P. Miltche		B	
NO. 99	P. Miltche		B	
NO. 100	P. Miltche		B	



st1 st2 tape

self op

autocue

1 amp

CUE

CRM

MIC ON

ST1
ST2
TAPE
STEREO-BREAK



BPR
Electronics
135
151
187
201
211
212
213
214
215
216
217
218
219
220
221
222
223
224
225
226
227
228
229
230
231
232
233
234
235
236
237
238
239
240
241
242
243
244
245
246
247
248
249
250

THIS DRAWING REPLACES PREVIOUS ONES

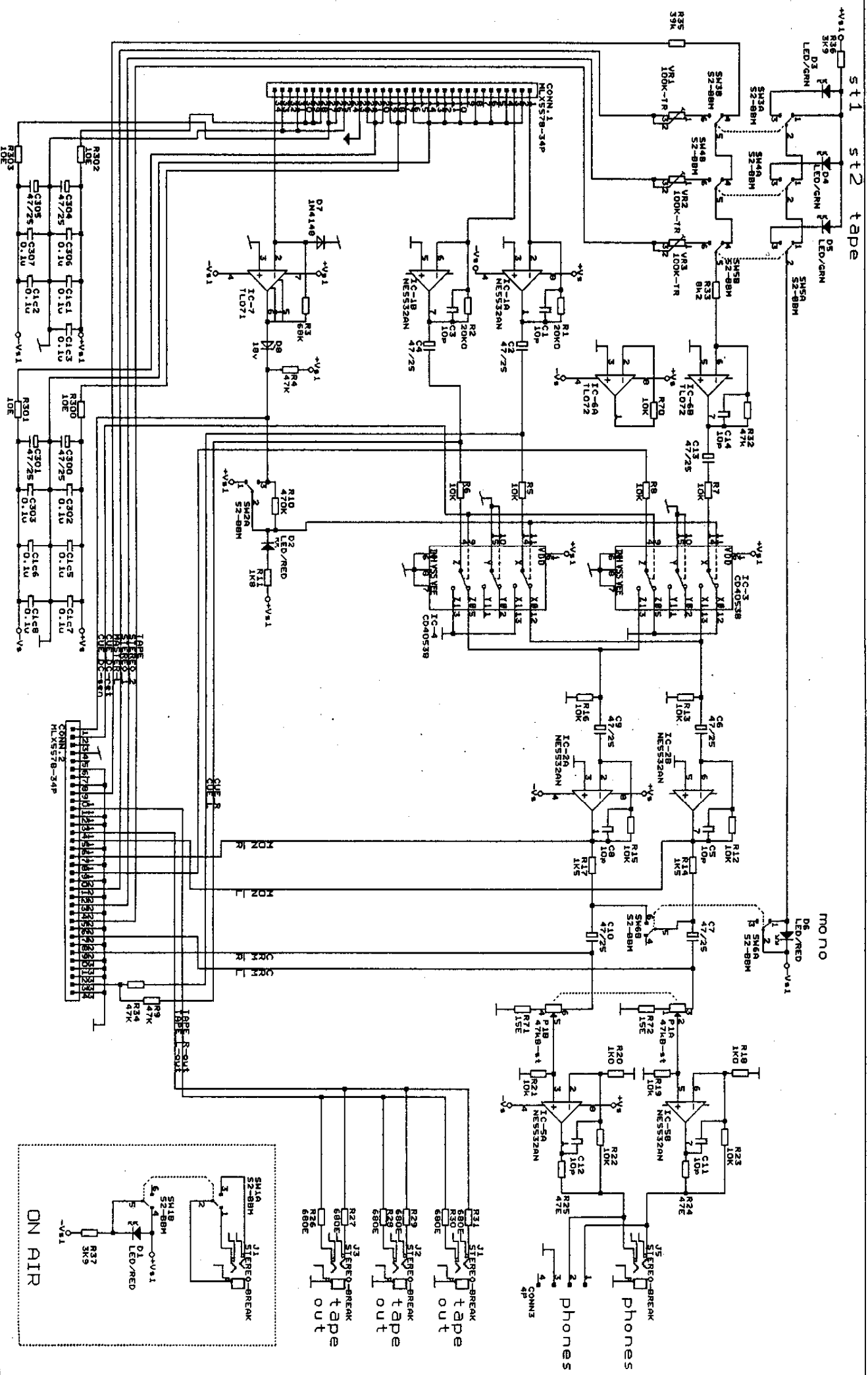
REV	DATE	BY	DESCRIPTION
1	28-03-1990	R. B. DE JONCKHEERE	
2	14-01-1990		
3	14-01-1990		
4	14-01-1990		

61300H MASTER

Stereo Document Number: 61300H

DATE: JUN 12 1990

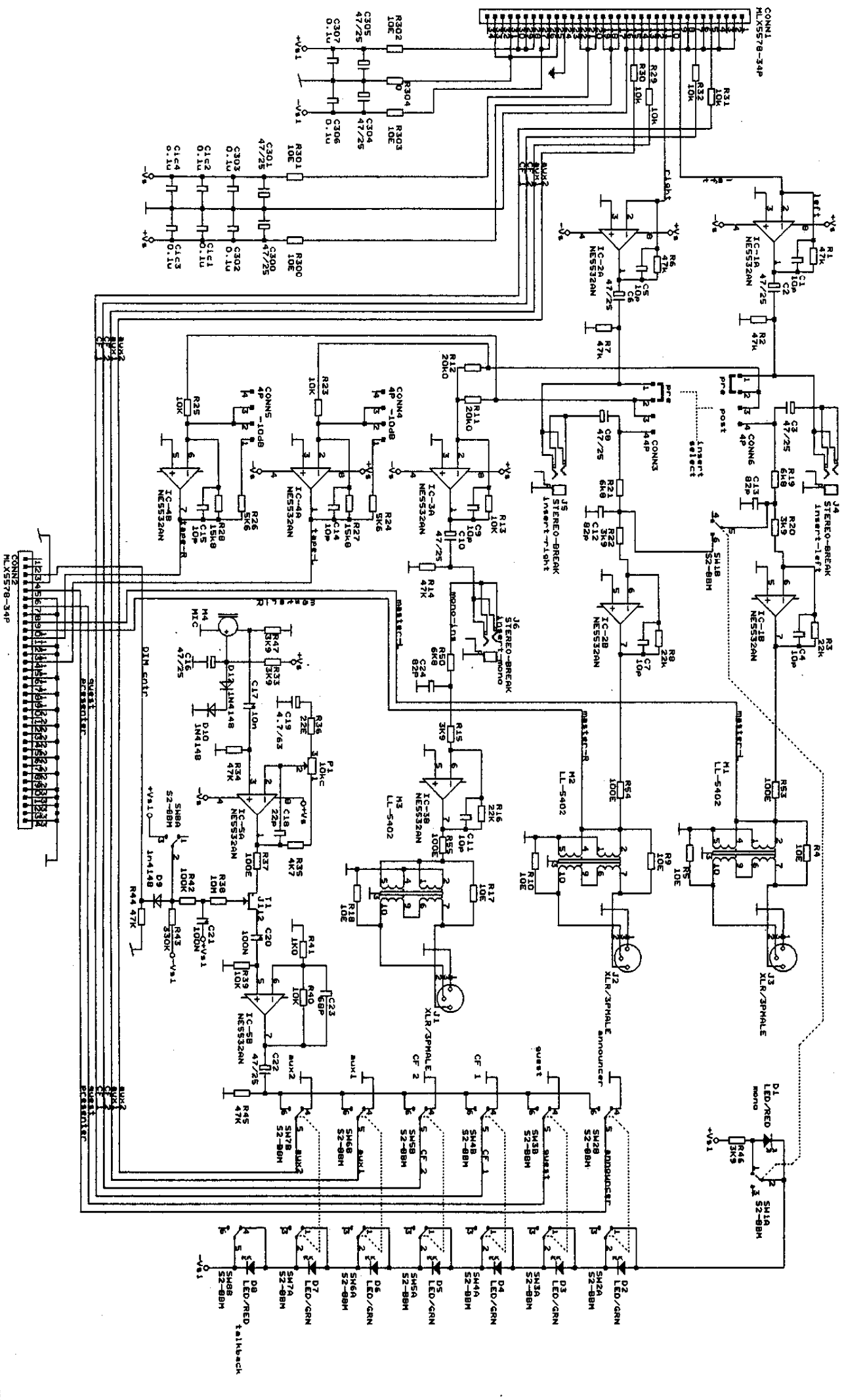
1 OF 1



DR R1-444-15P
 13206 WESP
 13206 WESP
 TEL: 02940-18014
 FAX: 02940-16987
 HOLLAND
 DRHM R.Barthelmann

THIS DRAWING REPLACES PREVIOUS ONES
 DATE: 12-02-1990
 SIZE: 11.5" x 17.0"

AIRCOM MASTER
 Size Document Number: AIRCOM7
 REV: A
 Date: June 13, 1990 Sheet 1 of 1

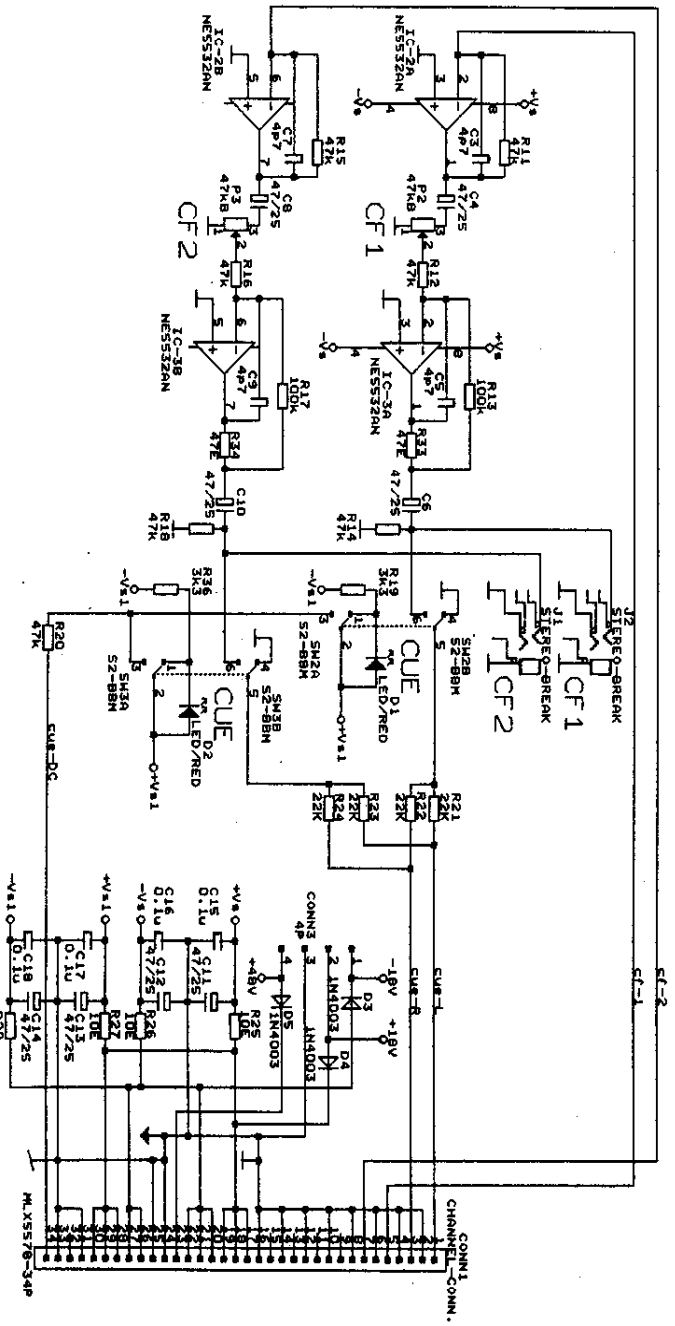
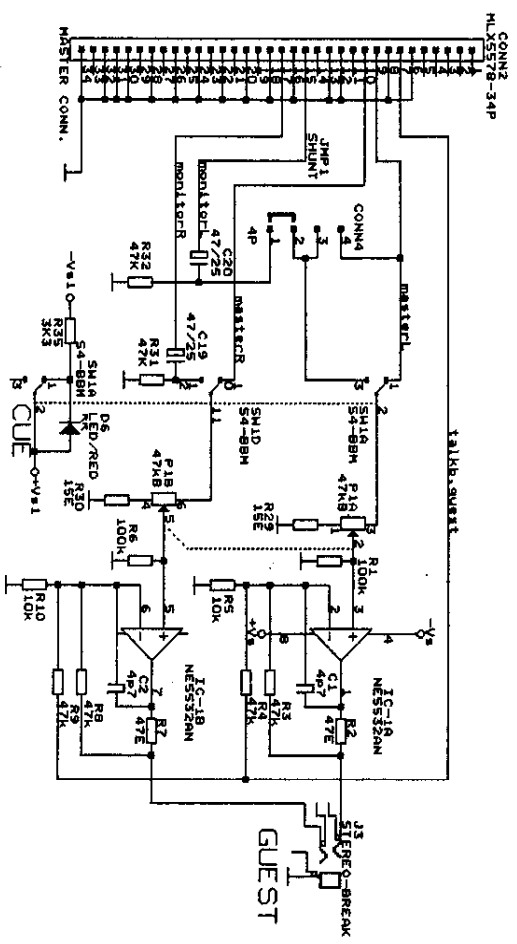


DR Rijkswade 15b
 1582 GS NESP
 Postbus 1330
 Fax: 0290-16847
 0290-16847
 Rijkswade 15b
 HOLLAND

THIS DRAWING REPLACES PREVIOUS ONES

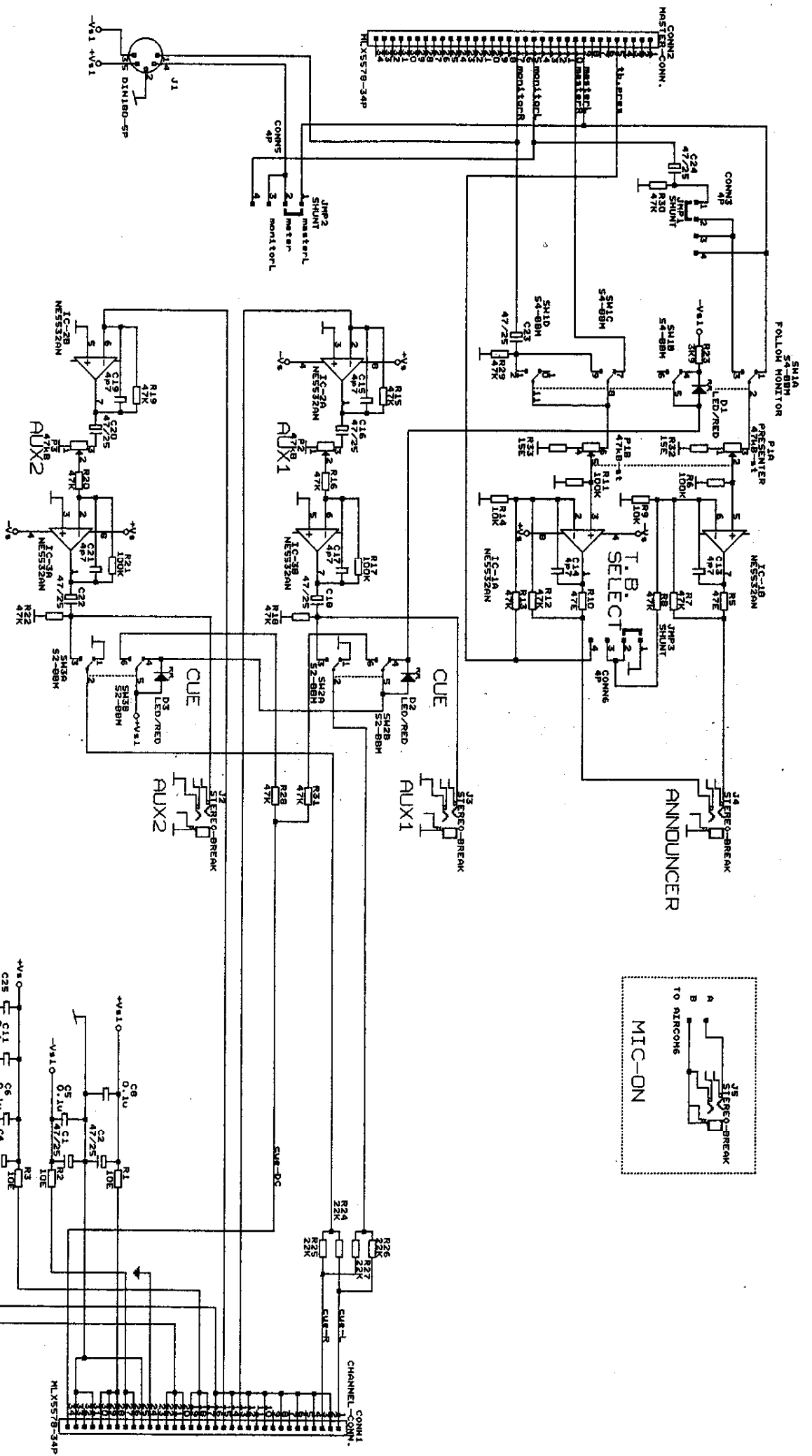
INDEX BY	DATE	REVISION
1	1990	A

AIRCOM MASTER
 AIRCOM-6
 August 5, 1990




FLUKE 15B
 7417 02940-16014
 Fax: 02940-16987
 ELECTRONICS BV
 HOLLAND

THIS DRAWING REPLACES PREVIOUS ONES
 DATE: June 17, 1990
 Size: 8
 Document Number: AIRCOM
 AIRCOM master module
 REV: 3



DIR Electronics B.V.
 Rijksweg 15B
 1117 CA Amsterdam
 Tel: 020-6018014
 Fax: 020-6018017
 HOLLAND

NO.	DATE	DESCRIPTION	BY	CHKD BY
1	1990	REVISED		
2	1990	REVISED		
3	1990	REVISED		
4	1990	REVISED		
5	1990	REVISED		
6	1990	REVISED		
7	1990	REVISED		
8	1990	REVISED		
9	1990	REVISED		
10	1990	REVISED		

THIS DRAWING REPLACES PREVIOUS ONES

Size Document Number
 AIRCOH4
 Date: June 17, 1990 Sheet 1 of 1

AIRCOH
 AIRCOH4 meter module

AANVULLING BLADZIJDE 17 VAN HET AIRCOM MANUAL

Faderstartaansluiting van het stereo kanaal.

De aansluiting als omschreven is niet van toepassing op de 2D en 2E printen.

Dan dient u te lezen:

Fader down start plug	tip --> sleeve
Fader up start plug	tip --> ring
Fader down stop plug	tip --> ring
Fader up stop plug	tip --> sleeve

De beide pluggen zijn nu als wisselcontact uitgevoerd!

Articlecode	Description	Quantity	Unit
10400209	Condensator ker 4p7 R2.5	2.0000	st
10400213	Condensator ker 10p R2.5	2.0000	st
10400223	Condensator ker 68p R2.5	2.0000	st
10400230	Condensator ker 270p R2.5	1.0000	st
10400236	Condensator ker 1000p R2.5	2.0000	st
10401241	Condensator ker 100nF/32V R5.0	11.0000	st
10401246	Condensator poly 1n0 R5.0	1.0000	st
10401249	Condensator poly 3n3 R5.0	1.0000	st
10400278	Condensator poly 8n2 R5.0	1.0000	st
10400277	Condensator poly 22n R5.0	1.0000	st
10400262	Condensator poly 150n R7.5	2.0000	st
10250342	Diode 1N4148 (signaal)	4.0000	st
10400279	Elco 1uF / 50V radiaal R5.0	1.0000	st
10400287	Elco 47uF / 25V radiaal R5.0	11.0000	st
10400289	Elco 47uF / 63V radiaal R5.0	2.0000	st
10400292	Elco 100uF / 25V radiaal R5.0	1.0000	st
10400280	Elco 2.2uF / 50V radiaal R5.0	2.0000	st
10600140	Header haaks 34p (raster 2.54)	1.0000	st
10600511	Header recht 3p lock (R 2.54)	2.0000	st
10600478	Header recht 4p (raster 2.54)	3.0000	st
10250004	Ic 4053B (HCF4053 BEY)switch	1.0000	st
10250005	Ic 4093B (snand)	1.0000	st
10250317	Ic 78L05 TO92 SGS (volt.reg)	1.0000	st
10250032	Ic DBX-2150 (VCA)	1.0000	st
10250304	Ic TL-072 CP TI (dual-opamp)	1.0000	st
10250305	Ic TL-074 CN TI (quad-opamp)	1.0000	st
10600394	Ic-voet 8 pins (vork-contact)	1.0000	st
10600402	Ic-voet 8 pins SIL 2.54mm	1.0000	st
10600395	Ic-voet 14 pins (vork-contact)	2.0000	st
10600396	Ic-voet 16 pins (vork-contact)	1.0000	st
10300203	Instelpot 25-turn 100k H T93YB	1.0000	st
10600432	Jack chassis break	2.0000	st
10300899	Potm.12 1x 10kC alog	1.0000	st
10300887	Potm.12 1x 47kB log	2.0000	st
10300883	Potm.12 1x100kA cn lin	3.0000	st
10300901	Potm.12 2x 10kA mt cn lin	1.0000	st
10200602	Print Aircom- 1E (mono-chan)	1.0000	st
10550400	Schakelaar Alps 2p-ns (2 x om)	3.0000	st
10600414	Shunt 2p (mini-jumper)	5.0000	st
10250332	Transistor BC-337/25 tape(npn)	3.0000	st
10250328	Transistor BC-546B (npn)	4.0000	st
10250327	Transistor BC-560B Phil taped	4.0000	st
10350844	Weerstand 1% 1/4W 4k75	2.0000	st
10350843	Weerstand 1% 1/4W 5k11	1.0000	st
10350846	Weerstand 1% 1/4W 6k81	2.0000	st
10350520	Weerstand 1% 1/4W 8k25	2.0000	st
10350856	Weerstand 1% 1/4W 20k0	2.0000	st
10350883	Weerstand 1% 1/4W 44k2	1.0000	st
10350705	Weerstand 5% 1/4W 10E	4.0000	st
10350709	Weerstand 5% 1/4W 22E	1.0000	st
10350713	Weerstand 5% 1/4W 47E	1.0000	st
10350717	Weerstand 5% 1/4W 100E	1.0000	st
10350723	Weerstand 5% 1/4W 330E	2.0000	st
10350730	Weerstand 5% 1/4W 1k2	4.0000	st
10350732	Weerstand 5% 1/4W 1k8	2.0000	st
10350733	Weerstand 5% 1/4W 2k2	1.0000	st
10350736	Weerstand 5% 1/4W 3k9	6.0000	st
10350741	Weerstand 5% 1/4W 10k	10.0000	st
10350743	Weerstand 5% 1/4W 15k	2.0000	st

Articlecode	Description	Quantity	Unit
10350744	Weerstand 5% 1/4W 18k	1.0000	st
10350745	Weerstand 5% 1/4W 22k	1.0000	st
10350746	Weerstand 5% 1/4W 27k	1.0000	st
10350747	Weerstand 5% 1/4W 33k	1.0000	st
10350749	Weerstand 5% 1/4W 47k	20.0000	st
10350750	Weerstand 5% 1/4W 56k	1.0000	st
10350751	Weerstand 5% 1/4W 68k	2.0000	st
10350753	Weerstand 5% 1/4W 100k	7.0000	st
10350755	Weerstand 5% 1/4W 150k	1.0000	st
10350757	Weerstand 5% 1/4W 220k	2.0000	st
10350759	Weerstand 5% 1/4W 330k	1.0000	st
10350761	Weerstand 5% 1/4W 470k	2.0000	st
10250350	Zenerdiode 18V0 / 400mW	1.0000	st

Articlecode	Description	Quantity	Unit
10400209	Condensator ker 4p7 R2.5	4.0000	st
10400213	Condensator ker 10p R2.5	3.0000	st
10401241	Condensator ker 100nF/32V R5.0	9.0000	st
10401246	Condensator poly 1n0 R5.0	2.0000	st
10401249	Condensator poly 3n3 R5.0	2.0000	st
10400252	Condensator poly 8n2 R7.5	2.0000	st
10400277	Condensator poly 22n R5.0	2.0000	st
10400262	Condensator poly 150n R7.5	1.0000	st
10400270	Condensator poly 470n R5.0	1.0000	st
10600170	Connector 4p printuitvoering	1.0000	st
10250342	Diode 1N4148 (signaal)	8.0000	st
10400286	Elco 22uF / 50V radiaal R5.0	2.0000	st
10400287	Elco 47uF / 25V radiaal R5.0	14.0000	st
10400292	Elco 100uF / 25V radiaal R5.0	2.0000	st
10400280	Elco 2.2uF / 50V radiaal R5.0	3.0000	st
10600140	Header haaks 34p (raster 2.54)	1.0000	st
10600511	Header recht 3p lock (R 2.54)	2.0000	st
10600478	Header recht 4p (raster 2.54)	2.0000	st
10250004	Ic 4053B (HCF4053 BEY)switch	2.0000	st
10250005	Ic 4093B (snand)	1.0000	st
10250317	Ic 78L05 TO92 SGS (volt.reg)	1.0000	st
10250032	Ic DBX-2150 (VCA)	2.0000	st
10250304	Ic TL-072 CP TI (dual-opamp)	2.0000	st
10250305	Ic TL-074 CN TI (quad-opamp)	1.0000	st
10600394	Ic-voet 8 pins (vork-contact)	2.0000	st
10600402	Ic-voet 8 pins SIL 2.54mm	2.0000	st
10600395	Ic-voet 14 pins (vork-contact)	2.0000	st
10600396	Ic-voet 16 pins (vork-contact)	2.0000	st
10300203	Instelpot 25-turn 100k H T93YB	2.0000	st
10600432	Jack chassis break	3.0000	st
10300887	Potm.12 1x 47kB log	2.0000	st
10300901	Potm.12 2x 10kA mt cn lin	1.0000	st
10300889	Potm.12 2x100kA lin	1.0000	st
10300115	Potm.12 2x100kA cn lin	3.0000	st
10200603	Print Aircom- 2G (stereo-chan)	1.0000	st
10550001	Relais mini DIP 12V 1xchangeov	2.0000	st
10550400	Schakelaar Alps 2p-ns (2 x om)	4.0000	st
10550402	Schakelaar Alps 6p-ns (6 x om)	1.0000	st
10600414	Shunt 2p (mini-jumper)	3.0000	st
10250333	Transistor BC-327/25 (pnp)	1.0000	st
10250332	Transistor BC-337/25 tape(npn)	2.0000	st
10250328	Transistor BC-546B (nnp)	5.0000	st
10350827	Weerstand 1% 1/4W 1k10	1.0000	st
10350843	Weerstand 1% 1/4W 5k11	2.0000	st
10350845	Weerstand 1% 1/4W 5k62	1.0000	st
10350848	Weerstand 1% 1/4W 10k0	1.0000	st
10350856	Weerstand 1% 1/4W 20k0	4.0000	st
10350883	Weerstand 1% 1/4W 44k2	1.0000	st
10350705	Weerstand 5% 1/4W 10E	4.0000	st
10350713	Weerstand 5% 1/4W 47E	4.0000	st
10350725	Weerstand 5% 1/4W 470E	2.0000	st
10350730	Weerstand 5% 1/4W 1k2	2.0000	st
10350731	Weerstand 5% 1/4W 1k5	2.0000	st
10350732	Weerstand 5% 1/4W 1k8	1.0000	st
10350736	Weerstand 5% 1/4W 3k9	7.0000	st
10350737	Weerstand 5% 1/4W 4k7	5.0000	st
10350738	Weerstand 5% 1/4W 5k6	1.0000	st
10350741	Weerstand 5% 1/4W 10k	14.0000	st
10350743	Weerstand 5% 1/4W 15k	4.0000	st

Articlecode	Description	Quantity	Unit
10350745	Weerstand 5% 1/4W 22k	2.0000	st
10350746	Weerstand 5% 1/4W 27k	1.0000	st
10350747	Weerstand 5% 1/4W 33k	3.0000	st
10350749	Weerstand 5% 1/4W 47k	15.0000	st
10350753	Weerstand 5% 1/4W 100k	15.0000	st
10350757	Weerstand 5% 1/4W 220k	2.0000	st
10350759	Weerstand 5% 1/4W 330k	2.0000	st
10350761	Weerstand 5% 1/4W 470k	1.0000	st
10250350	Zenerdiode 18V0 / 400mW	3.0000	st

Articlecode	Description	Quantity	Unit
.10350517	Weerstand 1/4W 0E	31.0000	st
10700602	Bout M 2 x 12 verzonken blank	4.0000	st
10400209	Condensator ker 4p7 R2.5	6.0000	st
10401241	Condensator ker 100nF/32V R5.0	8.0000	st
10600114	Connector chassis DIN fem 5p	1.0000	st
10400287	Elco 47uF / 25V radiaal R5.0	10.0000	st
10600140	Header haaks 34p (raster 2.54)	2.0000	st
10600478	Header recht 4p (raster 2.54)	3.0000	st
10250307	Ic NE-5532 AP TI (dual-opamp)	3.0000	st
10600394	Ic-voet 8 pins (vork-contact)	3.0000	st
10600432	Jack chassis break	4.0000	st
10700666	Moer M 2	4.0000	st
10300887	Potm.12 1x 47kB log	2.0000	st
10300207	Potm.12 2x 22kB mt log	1.0000	st
10200605	Print Aircom- 4b (mstr-presnt)	1.0000	st
10550400	Schakelaar Alps 2p-ns (2 x om)	2.0000	st
10550401	Schakelaar Alps 4p-ns (4 x om)	1.0000	st
10600414	Shunt 2p (mini-jumper)	3.0000	st
10350705	Weerstand 5% 1/4W 10E	4.0000	st
10350707	Weerstand 5% 1/4W 15E	2.0000	st
10350723	Weerstand 5% 1/4W 330E	2.0000	st
10350736	Weerstand 5% 1/4W 3k9	1.0000	st
10350741	Weerstand 5% 1/4W 10k	2.0000	st
10350745	Weerstand 5% 1/4W 22k	4.0000	st
10350749	Weerstand 5% 1/4W 47k	14.0000	st
10350753	Weerstand 5% 1/4W 100k	4.0000	st

Articlecode	Description	Quantity	Unit
.10350517	Weerstand 1/4W 0E	30.0000	st
10700602	Bout M 2 x 12 verzonken blank	4.0000	st
10400209	Condensator ker 4p7 R2.5	6.0000	st
10401241	Condensator ker 100nF/32V R5.0	4.0000	st
10250343	Diode 1N4004 (rectifier)	3.0000	st
10400287	Elco 47uF / 25V radiaal R5.0	10.0000	st
10600140	Header haaks 34p (raster 2.54)	2.0000	st
10600478	Header recht 4p (raster 2.54)	1.0000	st
10600512	Header recht 4p lock (R 2.54)	1.0000	st
10250307	Ic NE-5532 AP TI (dual-opamp)	3.0000	st
10600394	Ic-voet 8 pins (vork-contact)	3.0000	st
10600432	Jack chassis break	3.0000	st
10700666	Moer M 2	4.0000	st
10300887	Potm.12 1x 47kB log	2.0000	st
10300207	Potm.12 2x 22kB mt log	1.0000	st
10200606	Print Aircom- 5a (mstr-quest)	1.0000	st
10550400	Schakelaar Alps 2p-ns (2 x om)	2.0000	st
10550401	Schakelaar Alps 4p-ns (4 x om)	1.0000	st
10600414	Shunt 2p (mini-jumper)	1.0000	st
10350705	Weerstand 5% 1/4W 10E	4.0000	st
10350707	Weerstand 5% 1/4W 15E	2.0000	st
10350713	Weerstand 5% 1/4W 47E	2.0000	st
10350723	Weerstand 5% 1/4W 330E	2.0000	st
10350735	Weerstand 5% 1/4W 3k3	3.0000	st
10350741	Weerstand 5% 1/4W 10k	2.0000	st
10350745	Weerstand 5% 1/4W 22k	2.0000	st
10350749	Weerstand 5% 1/4W 47k	17.0000	st
10350753	Weerstand 5% 1/4W 100k	4.0000	st

Articlecode	Description	Quantity	Unit
.10650517	Draadbrug (0.6 mm)	2.0000	st
.10350517	Weerstand 1/4W 0E	39.0000	st
10700602	Bout M 2 x 12 verzonken blank	4.0000	st
10400213	Condensator ker 10p R2.5	8.0000	st
10400217	Condensator ker 22p R2.5	1.0000	st
10400223	Condensator ker 68p R2.5	1.0000	st
10400224	Condensator ker 82p R2.5	3.0000	st
10401241	Condensator ker 100nF/32V R5.0	8.0000	st
10400253	Condensator poly 10n R7.5	1.0000	st
10400261	Condensator poly 100n R7.5	2.0000	st
10250342	Diode 1N4148 (signaal)	3.0000	st
10400287	Elco 47uF / 25V radiaal R5.0	11.0000	st
10400281	Elco 4.7uF / 50V radiaal R5.0	1.0000	st
10250338	Fet J112 (N-channel switch)	1.0000	st
10600140	Header haaks 34p (raster 2.54)	2.0000	st
10600478	Header recht 4p (raster 2.54)	4.0000	st
10600512	Header recht 4p lock (R 2.54)	3.0000	st
10250307	Ic NE-5532 AP TI (dual-opamp)	5.0000	st
10600394	Ic-voet 8 pins (vork-contact)	5.0000	st
10600432	Jack chassis break	3.0000	st
10970912	Microfoon (condens) (talkback)	1.0000	st
10700666	Moer M 2	4.0000	st
10300899	Potm.12 1x 10kC alog	1.0000	st
10200607	Print Aircom- 6b (mstr-talkb)	1.0000	st
10550400	Schakelaar Alps 2p-ns (2 x om)	7.0000	st
10550395	Schakelaar Alps 2p-ns (moment)	1.0000	st
10600414	Shunt 2p (mini-jumper)	4.0000	st
10950003	Trafo LL-5402 (output)	3.0000	st
10350853	Weerstand 1% 1/4W 15k8	2.0000	st
10350856	Weerstand 1% 1/4W 20k0	2.0000	st
10350705	Weerstand 5% 1/4W 10E	4.0000	st
10350717	Weerstand 5% 1/4W 100E	4.0000	st
10350721	Weerstand 5% 1/4W 220E	1.0000	st
10350729	Weerstand 5% 1/4W 1k0	1.0000	st
10350736	Weerstand 5% 1/4W 3k9	6.0000	st
10350737	Weerstand 5% 1/4W 4k7	1.0000	st
10350738	Weerstand 5% 1/4W 5k6	2.0000	st
10350739	Weerstand 5% 1/4W 6k8	3.0000	st
10350741	Weerstand 5% 1/4W 10k	7.0000	st
10350745	Weerstand 5% 1/4W 22k	5.0000	st
10350749	Weerstand 5% 1/4W 47k	8.0000	st
10350753	Weerstand 5% 1/4W 100k	1.0000	st
10350759	Weerstand 5% 1/4W 330k	1.0000	st
10350776	Weerstand 5% 1/4W 10M0	1.0000	st

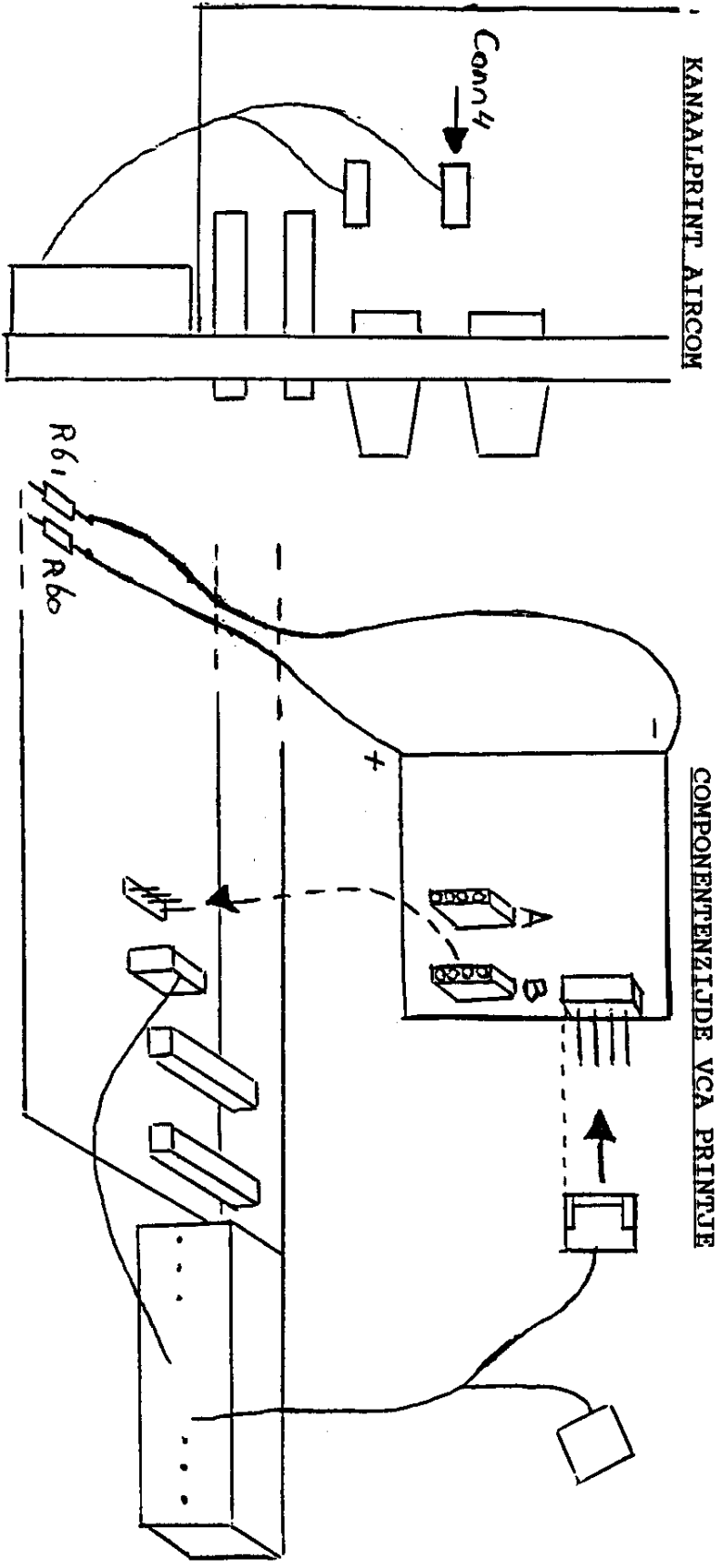
Articlecode	Description	Quantity	Unit
.10650517	Draadbrug (0.6 mm)	1.0000	st
.10350517	Weerstand 1/4W 0E	43.0000	st
10700602	Bout M 2 x 12 verzonken blank	4.0000	st
10400213	Condensator ker 10p R2.5	7.0000	st
10401241	Condensator ker 100nF/32V R5.0	11.0000	st
10250342	Diode 1N4148 (signaal)	1.0000	st
10400287	Elco 47uF / 25V radiaal R5.0	11.0000	st
10600140	Header haaks 34p (raster 2.54)	2.0000	st
10600512	Header recht 4p lock (R 2.54)	1.0000	st
10250004	Ic 4053B (HCF4053 BEY)switch	2.0000	st
10250307	Ic NE-5532 AP TI (dual-opamp)	3.0000	st
10250303	Ic TL-071 CN TI (single-opamp)	1.0000	st
10250304	Ic TL-072 CP TI (dual-opamp)	1.0000	st
10600394	Ic-voet 8 pins (vork-contact)	5.0000	st
10600396	Ic-voet 16 pins (vork-contact)	2.0000	st
10300519	Instelpot 10-turn 100k (T18)	3.0000	st
10600432	Jack chassis break	4.0000	st
10700666	Moer M 2	4.0000	st
10300207	Potm.12 2x 22kB mt log	1.0000	st
10200608	Print Aircom- 7a (mstr-phones)	1.0000	st
10550400	Schakelaar Alps 2p-ns (2 x om)	6.0000	st
10350856	Weerstand 1% 1/4W 20k0	2.0000	st
10350705	Weerstand 5% 1/4W 10E	4.0000	st
10350707	Weerstand 5% 1/4W 15E	2.0000	st
10350723	Weerstand 5% 1/4W 330E	2.0000	st
10350727	Weerstand 5% 1/4W 680E	6.0000	st
10350729	Weerstand 5% 1/4W 1k0	2.0000	st
10350731	Weerstand 5% 1/4W 1k5	2.0000	st
10350732	Weerstand 5% 1/4W 1k8	1.0000	st
10350736	Weerstand 5% 1/4W 3k9	2.0000	st
10350740	Weerstand 5% 1/4W 8k2	1.0000	st
10350741	Weerstand 5% 1/4W 10k	13.0000	st
10350748	Weerstand 5% 1/4W 39k	1.0000	st
10350749	Weerstand 5% 1/4W 47k	4.0000	st
10350751	Weerstand 5% 1/4W 68k	1.0000	st
10350761	Weerstand 5% 1/4W 470k	1.0000	st
10250359	Zenerdiode 15V0 / 400mW	1.0000	st

Articlecode	Description	Quantity	Unit
.10350517	Weerstand 1/4W OE	45.0000	st
10700602	Bout M 2 x 12 verzonken blank	4.0000	st
10400213	Condensator ker 10p R2.5	5.0000	st
10400225	Condensator ker 100p R2.5	1.0000	st
10401241	Condensator ker 100nF/32V R5.0	9.0000	st
10250342	Diode 1N4148 (signaal)	1.0000	st
10400287	Elco 47uF / 25V radiaal R5.0	12.0000	st
10600140	Header haaks 34p (raster 2.54)	2.0000	st
10600512	Header recht 4p lock (R 2.54)	2.0000	st
10250004	Ic 4053B (HCF4053 BEY)switch	2.0000	st
10250014	Ic 4N27 (opto-coupler)	1.0000	st
10250303	Ic TL-071 CN TI (single-opamp)	3.0000	st
10250304	Ic TL-072 CP TI (dual-opamp)	2.0000	st
10600394	Ic-voet 8 pins (vork-contact)	5.0000	st
10600396	Ic-voet 16 pins (vork-contact)	2.0000	st
10300519	Instelpot 10-turn 100k (T18)	3.0000	st
10600432	Jack chassis break	5.0000	st
10700666	Moer M 2	4.0000	st
10300207	Potm.12 2x 22kB mt log	1.0000	st
10200609	Print Aircom- 8a (mstr-crm)	1.0000	st
10550400	Schakelaar Alps 2p-ns (2 x om)	5.0000	st
10250327	Transistor BC-560B Phil taped	1.0000	st
10350705	Weerstand 5% 1/4W 10E	4.0000	st
10350725	Weerstand 5% 1/4W 470E	2.0000	st
10350732	Weerstand 5% 1/4W 1k8	2.0000	st
10350733	Weerstand 5% 1/4W 2k2	3.0000	st
10350736	Weerstand 5% 1/4W 3k9	2.0000	st
10350740	Weerstand 5% 1/4W 8k2	1.0000	st
10350741	Weerstand 5% 1/4W 10k	3.0000	st
10350745	Weerstand 5% 1/4W 22k	5.0000	st
10350748	Weerstand 5% 1/4W 39k	1.0000	st
10350749	Weerstand 5% 1/4W 47k	6.0000	st
10350751	Weerstand 5% 1/4W 68k	1.0000	st
10350753	Weerstand 5% 1/4W 100k	4.0000	st
10350761	Weerstand 5% 1/4W 470k	1.0000	st
10350779	Weerstand 5% 1W 470E	1.0000	st
10250359	Zenerdiode 15V0 / 400mW	1.0000	st

Articlecode	Description	Quantity	Unit
.10350517	Weerstand 1/4W 0E	3.0000	st
10700928	Bout M 3 x 16 rvs	4.0000	st
10250347	Brugcel 1B250-C3300 (rechth)	2.0000	st
10250345	Brugcel B80C1000 (rond)	1.0000	st
10401241	Condensator ker 100nF/32V R5.0	3.0000	st
10250343	Diode 1N4004 (rectifier)	8.0000	st
10400284	Elco 10uF / 40V radiaal R5.0	1.0000	st
10400292	Elco 100uF / 25V radiaal R5.0	4.0000	st
10400302	Elco 100uF / 63V radiaal R5.0	1.0000	st
10400272	Elco 2200uF / 63V axiaal	2.0000	st
10400300	Elco 4700uF / 50V axiaal	2.0000	st
10600450	Header recht 8p (raster 3.96)	1.0000	st
10250019	Ic LM-350 TO3 (volt.reg)	2.0000	st
10250020	Ic TL-783 TO220 (high voltreg)	1.0000	st
10300201	Instelpot 25-turn 1k H T93YB	2.0000	st
10700625	Kartelring M 3 (buitenvertan)	8.0000	st
10720664	Koelblok 75mm	2.0000	st
10720659	Koelprofiel hoed	2.0000	st
10700930	Moer M 3 rvs	4.0000	st
10700611	Popnagel 3.0 x 6.5 blank	8.0000	st
10200610	Print Aircom- 9c (powersupply)	1.0000	st
10350835	Weerstand 1% 1/4W 2k00	2.0000	st
10350842	Weerstand 1% 1/4W 3k01	1.0000	st
10350716	Weerstand 5% 1/4W 82E	1.0000	st
10350720	Weerstand 5% 1/4W 180E	2.0000	st
10350742	Weerstand 5% 1/4W 12k	2.0000	st

Articlecode	Description	Quantity	Unit
.10350517	Weerstand 1/4W 0E	2.0000	st
10400230	Condensator ker 270p R2.5	2.0000	st
10401241	Condensator ker 100nF/32V R5.0	2.0000	st
10400251	Condensator poly 6n8 R7.5	2.0000	st
10401257	Condensator poly 33n R5.0	2.0000	st
10600170	Connector 4p printuitvoering	1.0000	st
10400287	Elco 47uF / 25V radiaal R5.0	4.0000	st
10600478	Header recht 4p (raster 2.54)	1.0000	st
10250307	Ic NE-5532 AP TI (dual-opamp)	1.0000	st
10600394	Ic-voet 8 pins (vork-contact)	1.0000	st
10200611	Print Aircom-10a (RIAA-preamp)	1.0000	st
10350724	Weerstand 5% 1/4W 390E	2.0000	st
10350741	Weerstand 5% 1/4W 10k	2.0000	st
10350749	Weerstand 5% 1/4W 47k	2.0000	st
10350753	Weerstand 5% 1/4W 100k	2.0000	st

INSTALLATIE VCA PRINTJE OP AIRCOM1 MIC CHANNEL

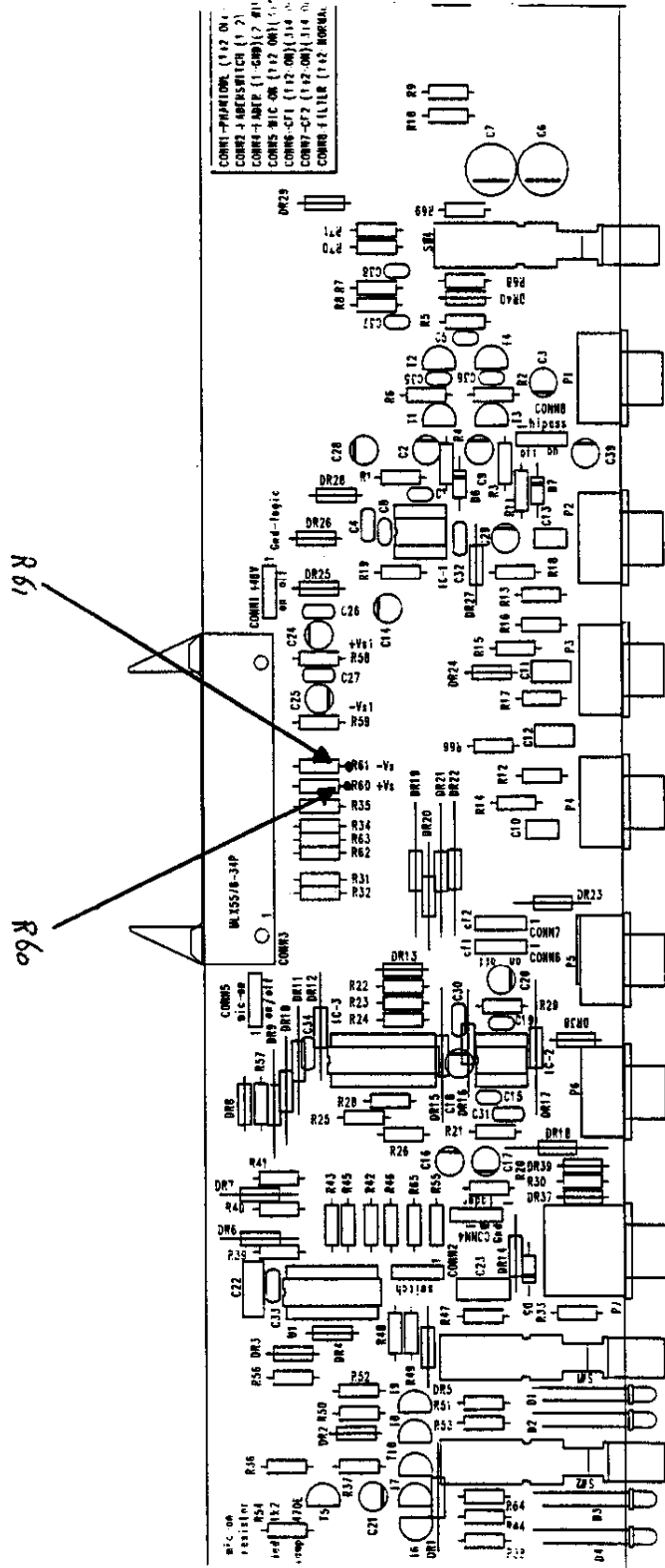


- A: Verwijder conn 4 op de kanaalprint
- B: Plaats het VCA printje met een zwarte connector op de header die vrijgekomen is in de kanaalprint.
- C: Sluit de losgekomen connector aan op de witte header op het VCA printje.
- D: Soldeer de voedingsdraden van het VCA printje op de kanaalprint (blauw aan R61, rood aan R60).

D&R
 Rijnkade 15b
 1387 GS Weesp
 The Netherlands
 Phone: 02940-18014
 Fax: 02940-18987

Title:	AIRC0M-VCA
Date:	16-08-1994
Sheet:	1 of 1
Design:	A

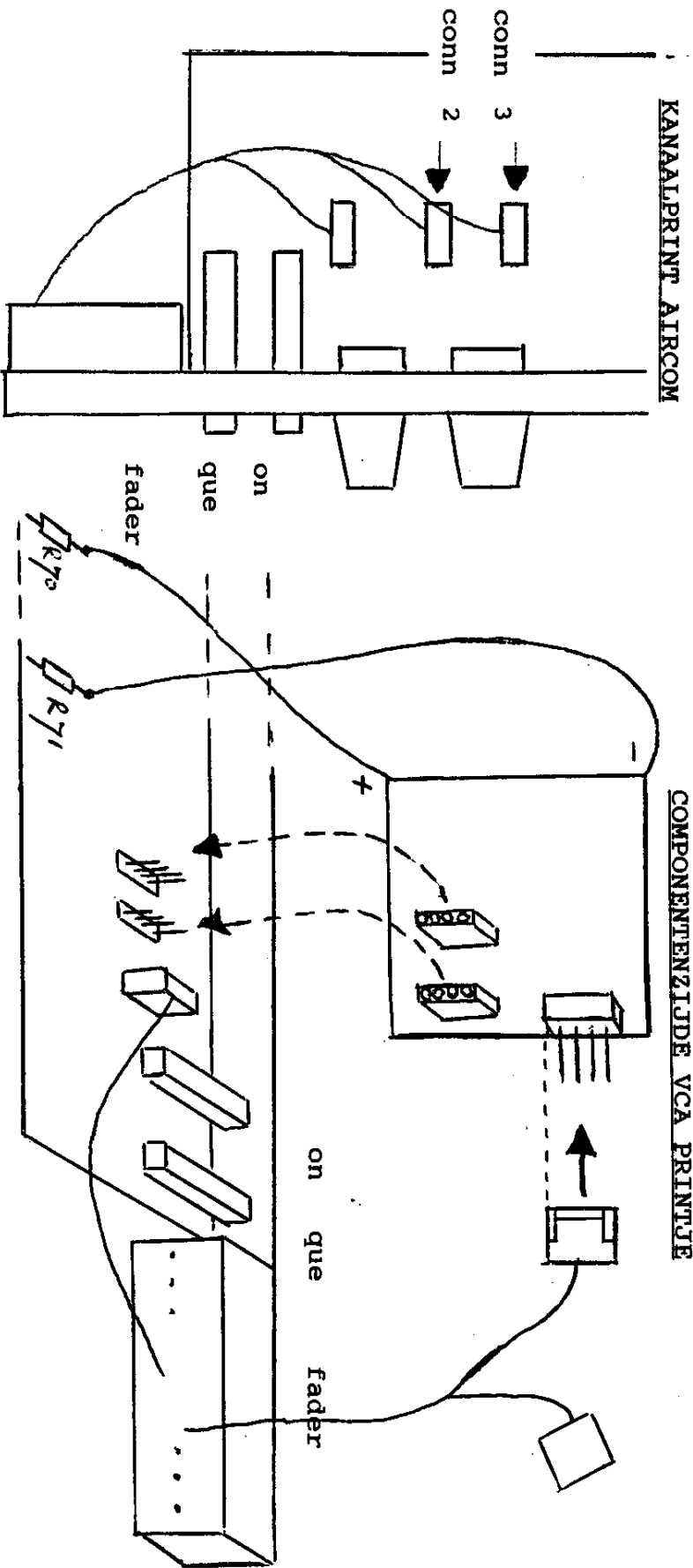
BOVENAANZICHT KANAALPRINT



D&R
 D&R Electronica B.V.
 Rijksweg 15b
 1382 GS Weesp
 The Netherlands
 Phone: 02940-18014
 Fax: 02940-16987

Title:	AIRCUM-VCA
Date:	16-08-1994
Sheet:	1 of 1
Design:	A

INSTALLATIE VCA PRINTJE OP AIRCOM2 STEREO LINE CHANNEL.

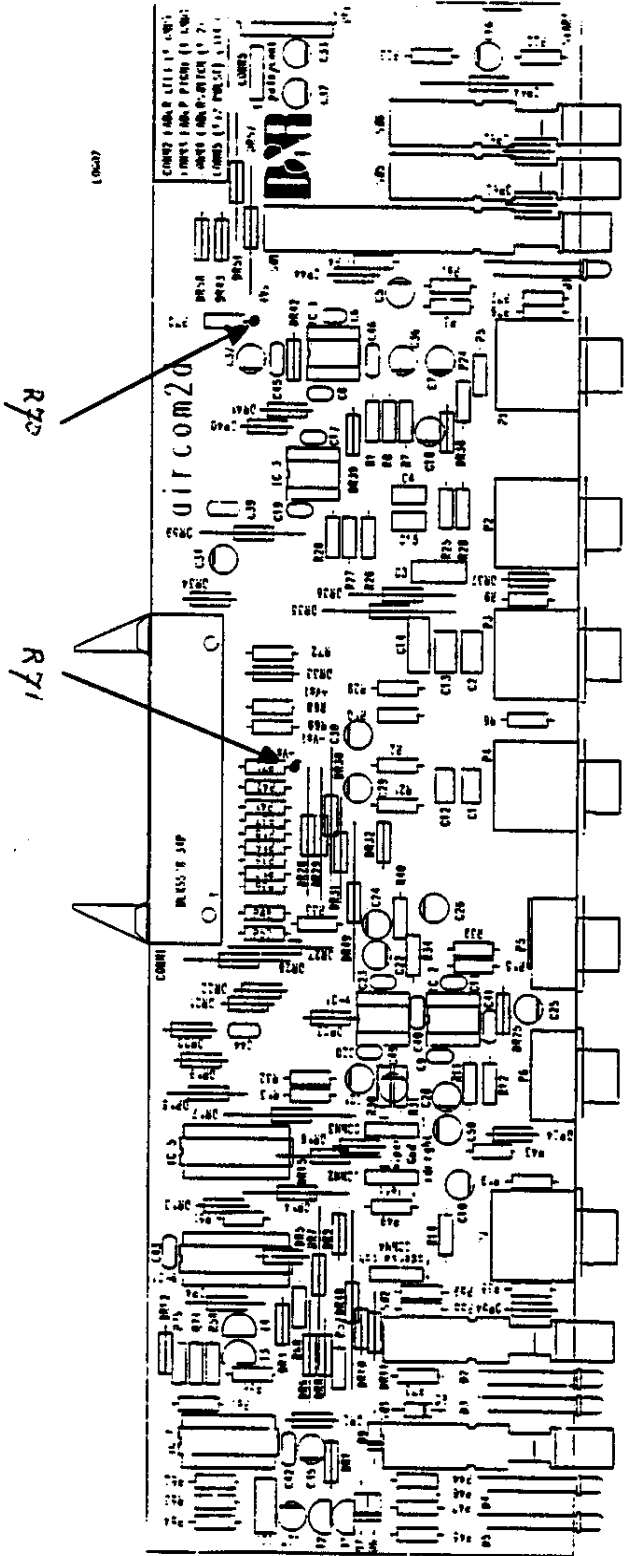


- A: Verwijder conn 2 en conn 3 op de kanaalprint
- B: Plaats het VCA printje met de zwarte connectors op de headers die vrijgekomen zijn in de kanaalprint.
- C: Sluit een van de losgekomen connectors aan op de witte header op het VCA printje.
- D: Soldeer de voedingsdraden van het VCA printje op de kanaalprint (blauw aan R71, rood aan R70).

D&R Rijksweg 15b
1382 GS Weesp
The Netherlands
phone: 02940-18014
fax: 02940-16987

Title:	AIRC0M-VCA
Date:	16-08-1994
Sheet:	1 of 1
Design:	
	A

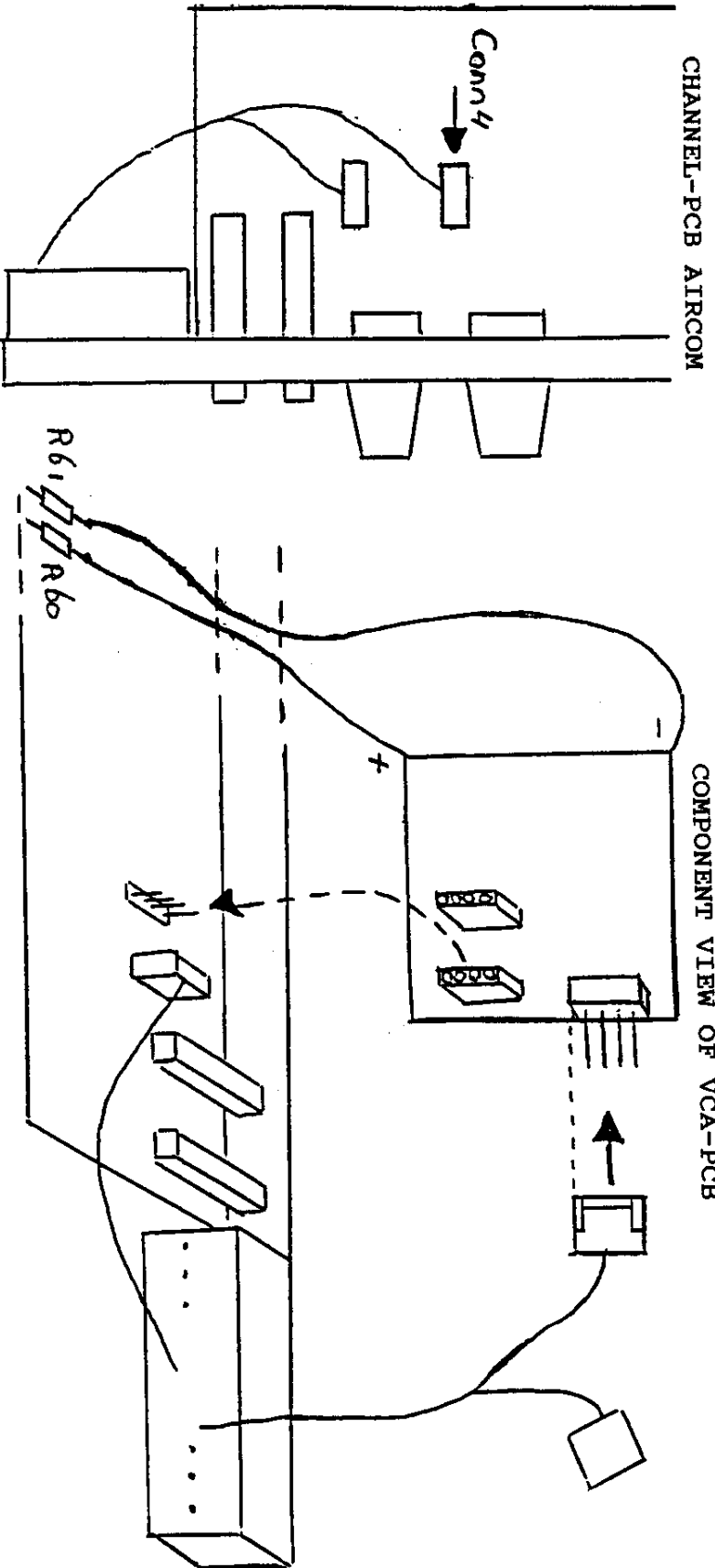
BOVENAANZICHT KANAALPRINT



D&R
 Rijnhoed 15b
 1382 GS Weesp
 The Netherlands
 phone: 02940-18014
 fax: 02940-18987

Title: AIRCOM-VCA
 Date: 16-08-1994
 Sheet: 1 of 1
 Design: A

INSTALLATION OF VCA BOARD ON AN AIRCOM1 MIC CHANNEL

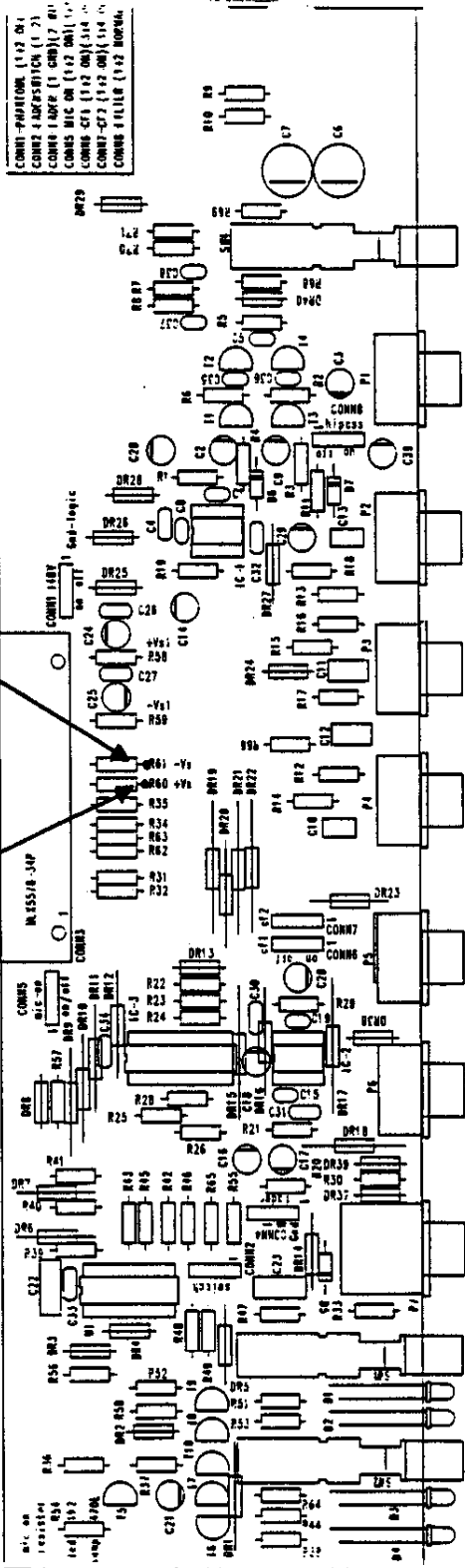


- A: Remove conn. 4 from its header.
- B: Place the VCA-PCB on the header (from which conn. 4 just has been removed). The black connector (B) on the VCA-PCB has to be placed on the header.
- C: push the connector coming from the channel-PCB (conn. 4) to the white header on the VCA-PCB.
- D: Solder the supply wires of the VCA-PCB to the channel-PCB (Blue to R61, Red to R60)

D&R
 Rijksweg 15b
 1382 GS Weesp
 The Netherlands
 Phone: 02940-18014
 Fax: 02940-16987
 D&R Electronica B.V.

Title:	AIRCOM-VCA
Date:	16-08-1994
Sheet:	1 of 1
Design:	
Rev:	A

TOPVIEW CHANNEL-PCB

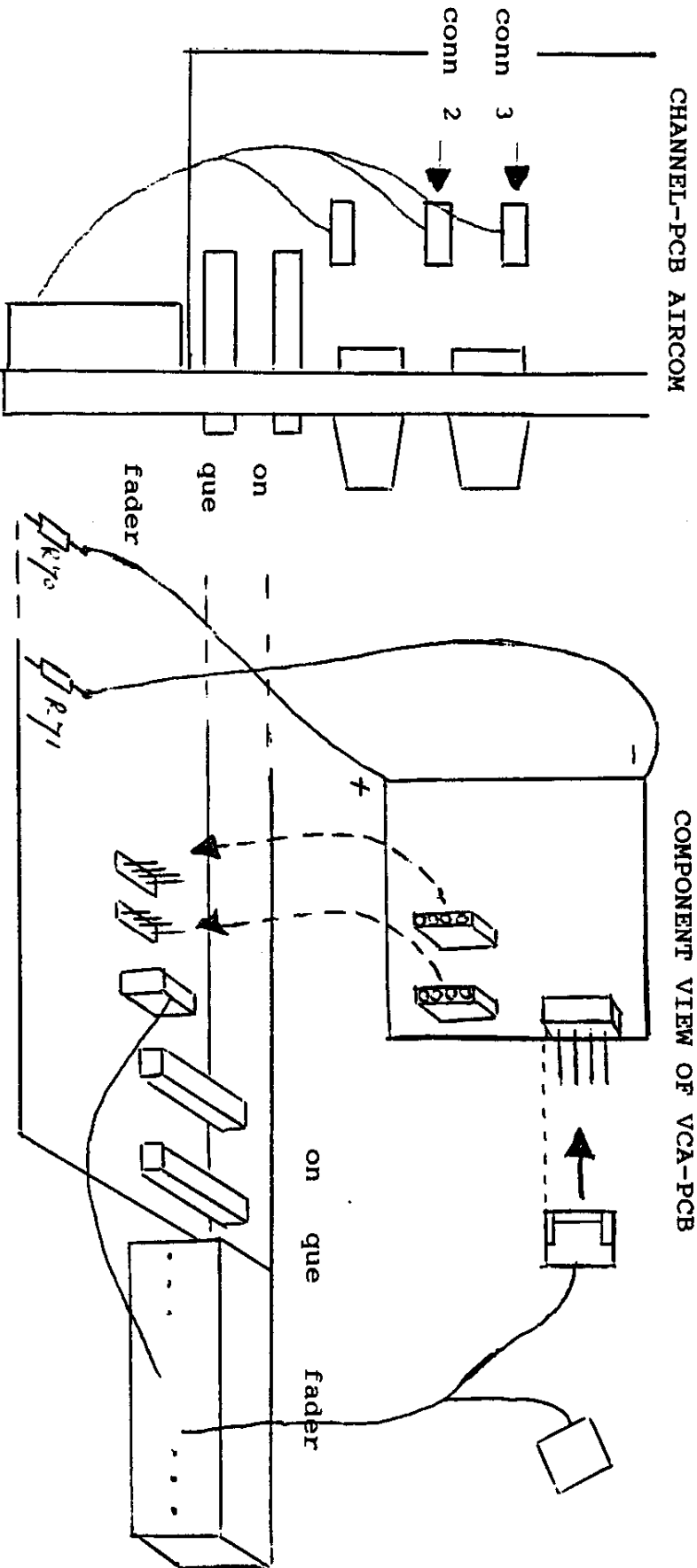


R61
R60

D&R
D&R Electronica B.V.
Rijkrode 15b
1382 GS Weesp
The Netherlands
phone: 02940-18014
fax: 02940-16987

Title:	AIRCOM-VCA
Date:	16-08-1994
Sheet:	1 of 1
Design:	A

INSTALLATION OF VCA BOARD ON AN AIRCOM2 STEREO LINE CHANNEL



- A: Remove conn. 2 and conn. 3.
- B: Place the VCA-PCB with the black connectors on the headers (from which conn. 2 and conn. 3 just has been removed).
- C: Push one of the connectors coming from the channel-PCB to the white header on the VCA-PCB.
- D: Solder the supply wires of the VCA-PCB to the channel-PCB (Blue to R71, Red to R70).

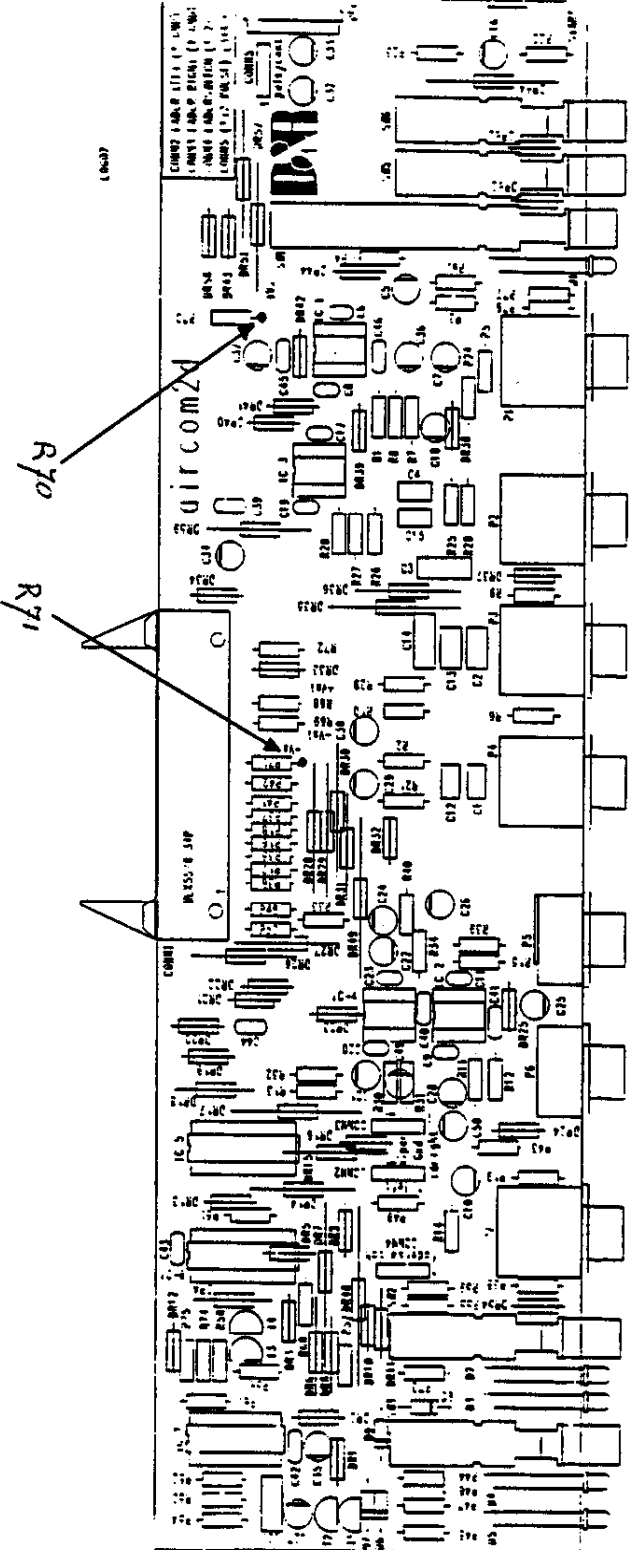


Rijksweg 15b
1382 GS Weesp
The Netherlands
Phone: 02940-18014
Fax: 02940-16987

D&R Electronica B.V.

Title:	AIRCOM-VCA
Date:	16-08-1994
Sheet:	1 of 1
Design:	A

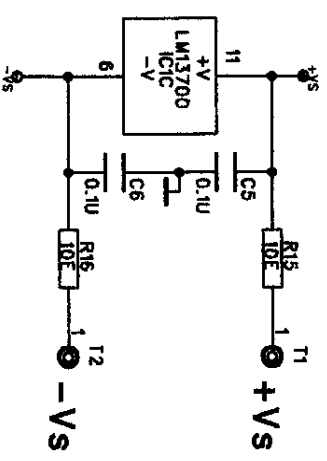
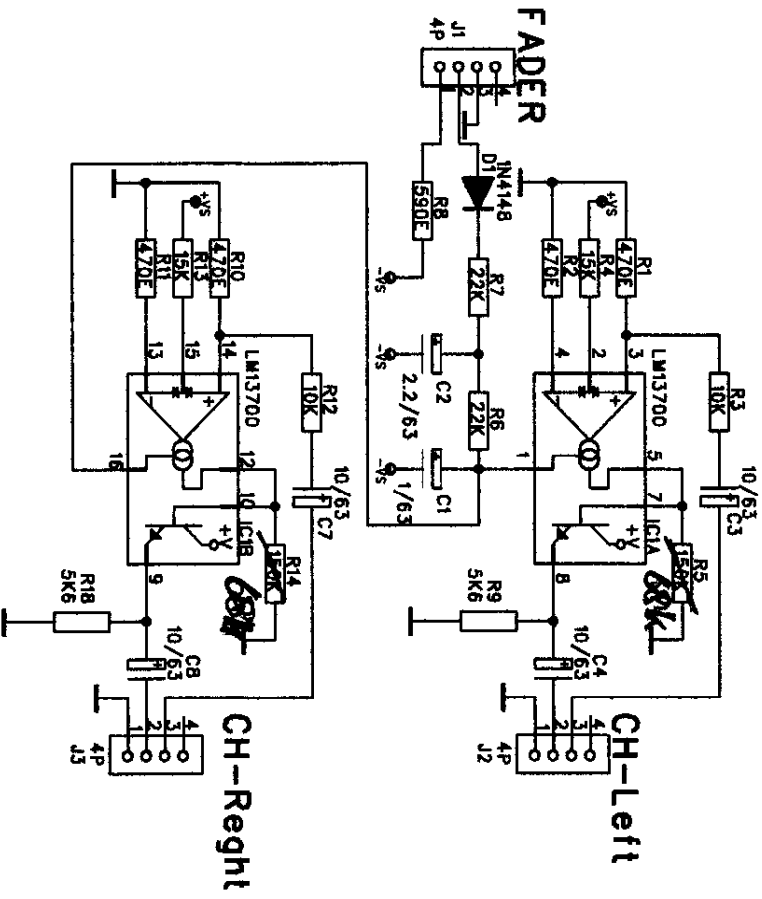
TOPVIEW CHANNEL-PCB



(10001)

D&R
 Rinkade 15b
 1382 GS Weesp
 The Netherlands
 phone: 02940-16014
 fax: 02940-16987

Title:	AIRCOM-VCA	Rev:	A
Date:	16-08-1994	Sheet:	1 of 1
Design:			

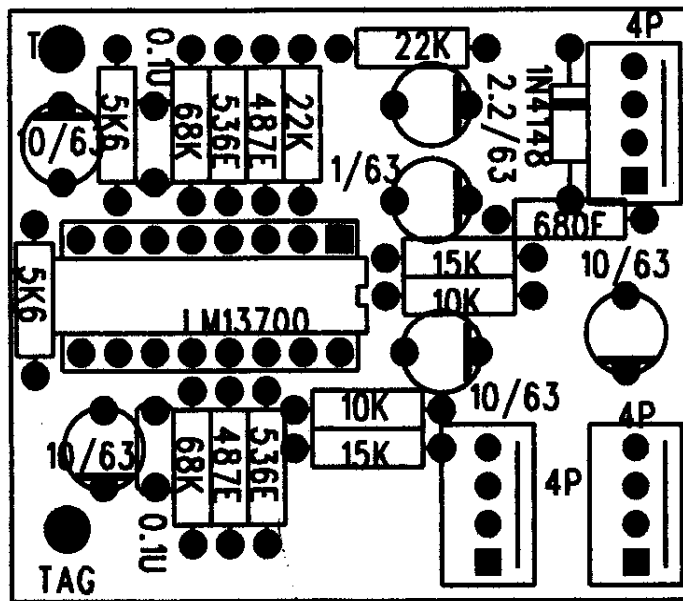


D&R

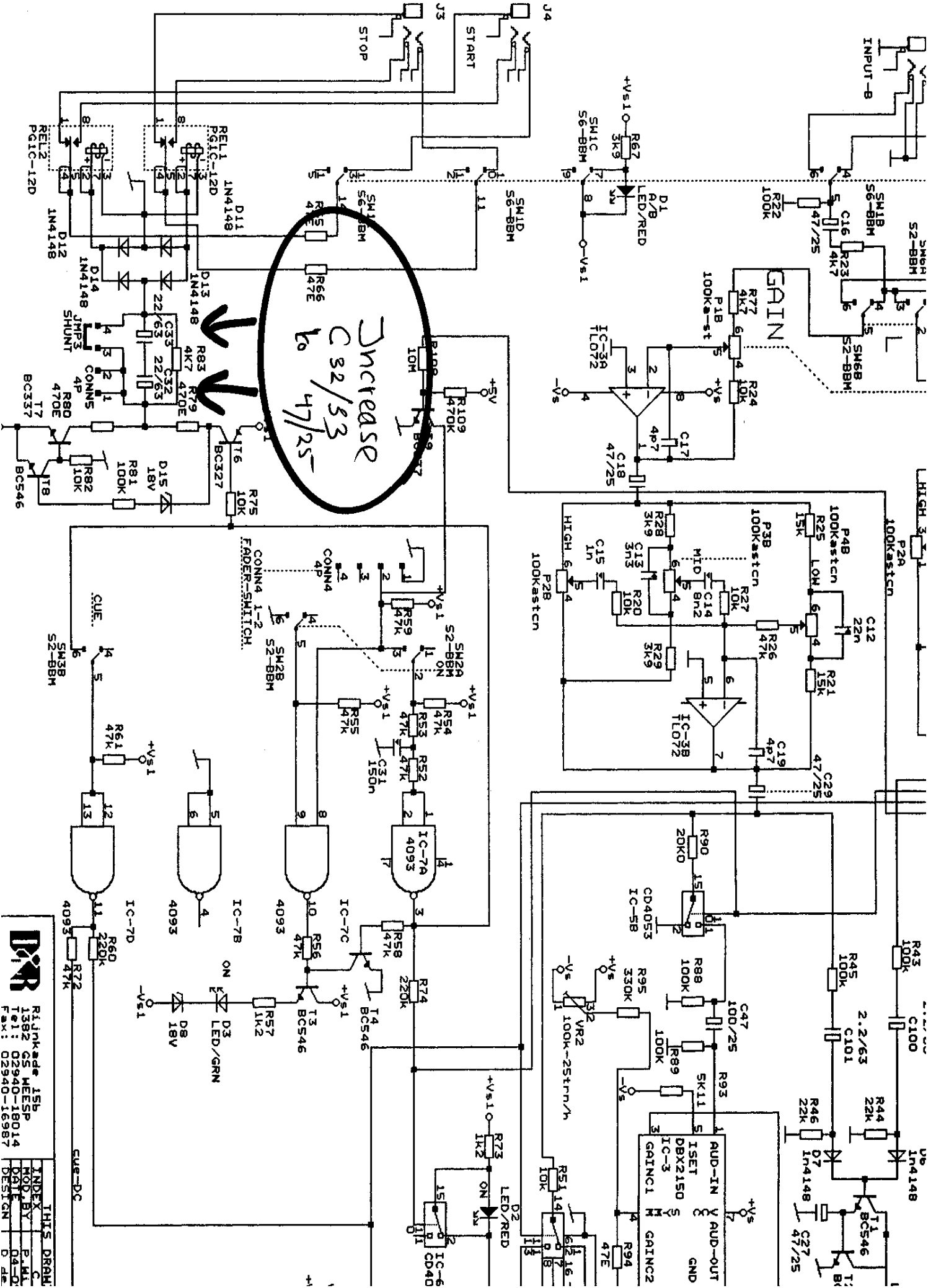
Rijnkade 15b
 1382 GS Weesp
 The Netherlands
 phone: 02940-18014
 fax: 02940-16987

D&R Electronica B.V.

Title:		VCA-AIRCOM	
Date:	02-08-1994	Rev:	A
Sheet:	1	of	1
Design:			



AIRCRAFT DILS ORDER



Increase
 C32/S3
 to
 47/25

DR
 R1: Jnkade 15P
 1382 GS MEESP
 Tel: 02940-18014
 DATE
 Fax: 02940-16987
 THIS DRAW
 INDEX
 MOD. BY P.M.M.
 DATE 04-0
 DESIGN D. de