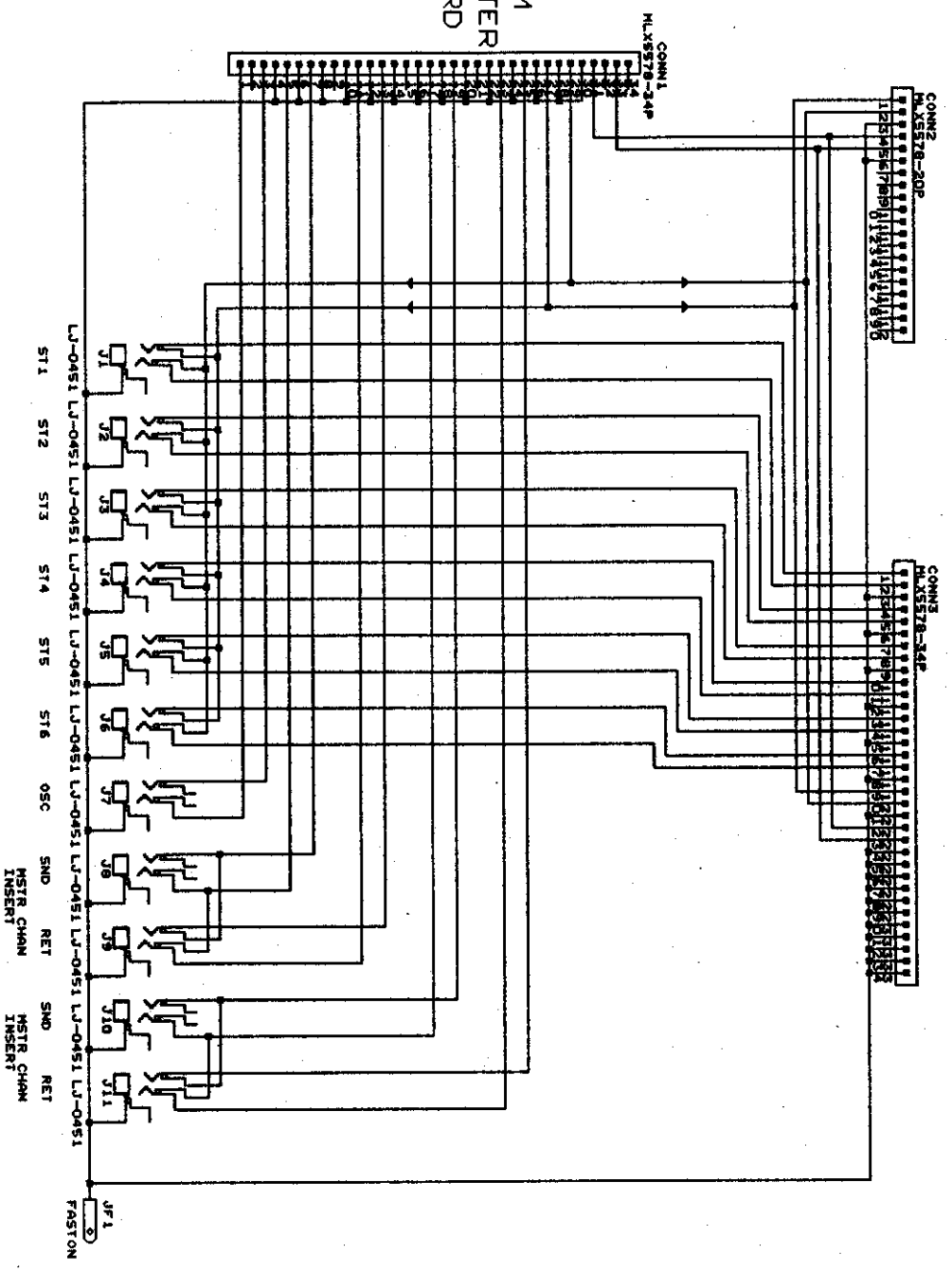


SUB CONNECTOR

TO D CONNECTOR

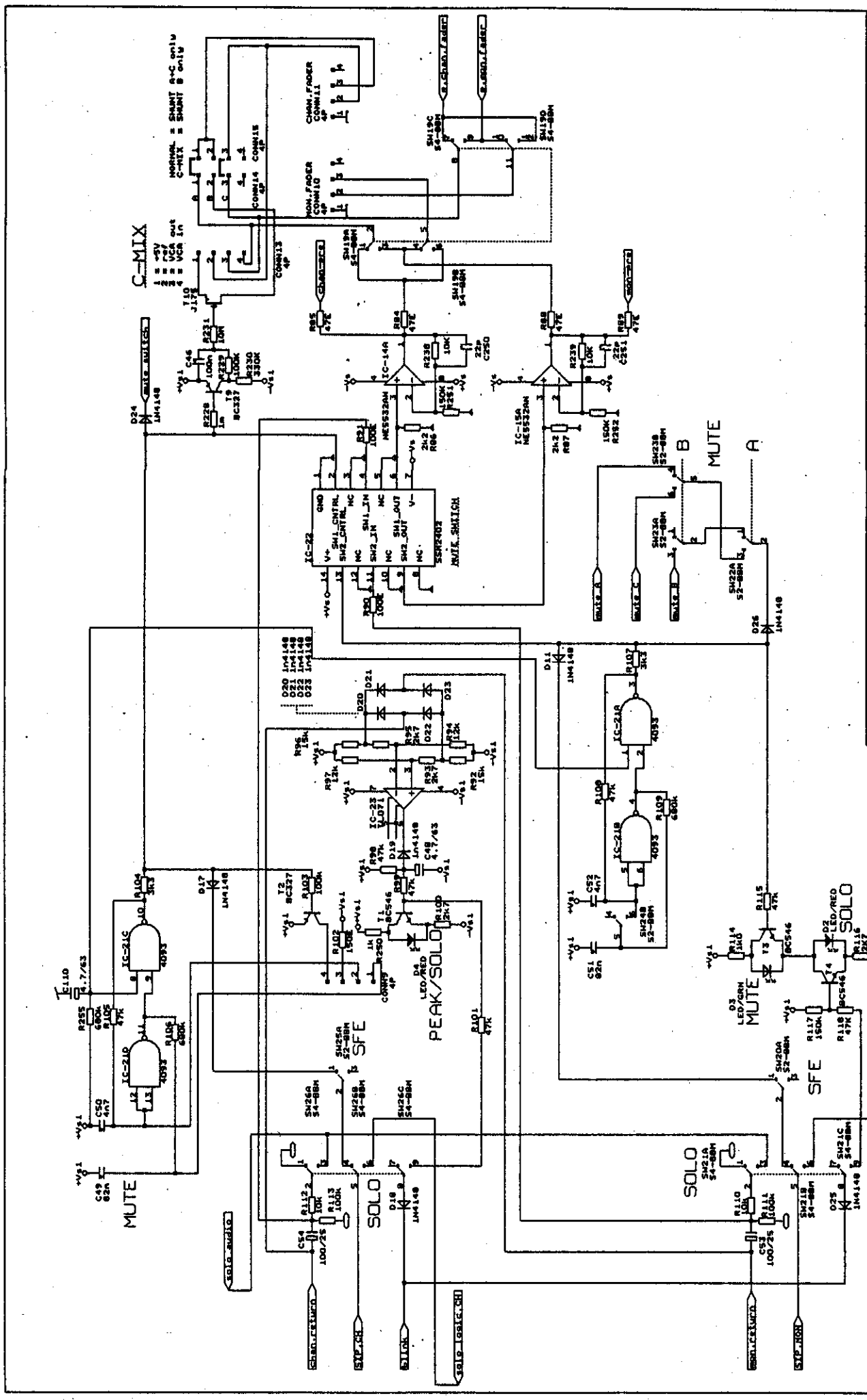
FROM  
MASTER  
BOARD



		Rijksweg 15b 1882 CS WESPE NL-18014 Fax: 02940-16987 HOLLAND	
INDEX	THIS DRAWING REPLACES PREVIOUS ONES	SIZE	AVLON PATCH PANEL (AMP4)
REV		DATE	NOVEMBER 25, 1990
REV		SHEET	4
REV		SHEET	1







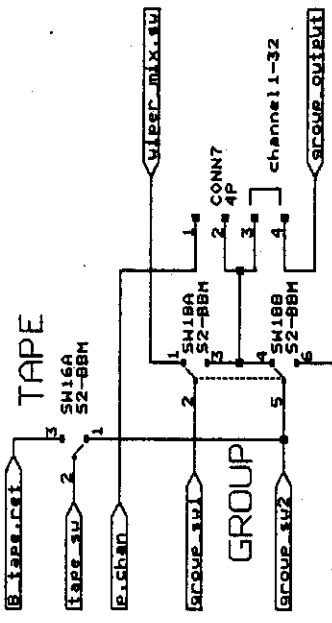
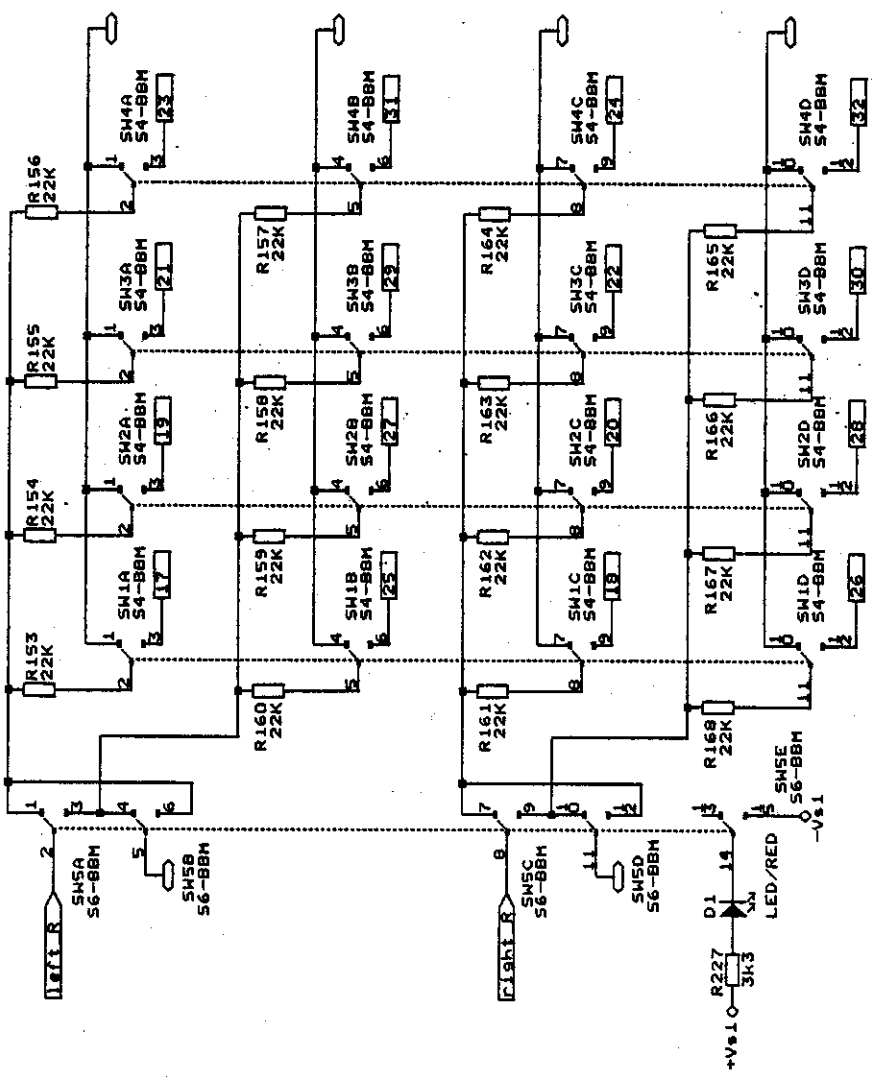
**C-MIX**

NORMAL = SMART A-C ONLY  
 C-MIX = SMART B ONLY  
 1 = VCA IN  
 2 = VCA OUT  
 3 = VCA IN  
 4 = VCA IN

REV	5	DATE	DECEMBER 5, 1990	DESIGNER	P. MILLER	STEP DOCUMENT NUMBER	Avalon channel LOGIC	DRAWING #	AVALON	FILE: avall-5
REV	4	DATE		DESIGNER		STEP DOCUMENT NUMBER		DRAWING #		FILE: avall-5
REV	3	DATE		DESIGNER		STEP DOCUMENT NUMBER		DRAWING #		FILE: avall-5
REV	2	DATE		DESIGNER		STEP DOCUMENT NUMBER		DRAWING #		FILE: avall-5
REV	1	DATE		DESIGNER		STEP DOCUMENT NUMBER		DRAWING #		FILE: avall-5

This drawing replaces previous ones.  
 Drawn by: J. MILLER  
 Checked by: J. MILLER  
 Approved by: J. MILLER  
 Date: 12/5/90  
 Part: 02940-10447  
 Revision: 5  
 Electronic by: HOLLAND

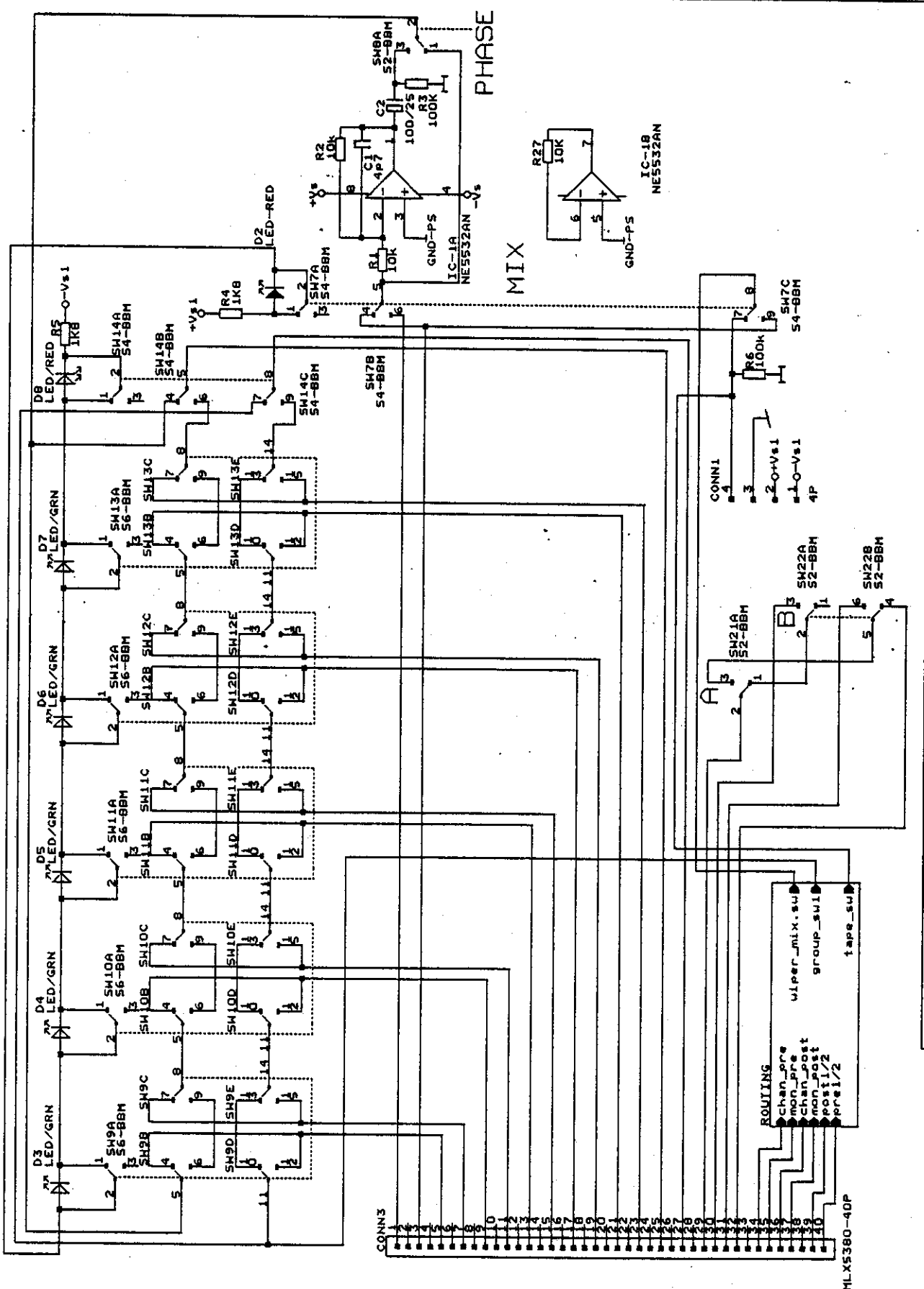




		RIJNHAVE 15b 1382 GS MEE5P Tel: 02940-18014 Fax: 02940-16987 Electronics by HOLLAND		THIS DRAWING REPLACES PREVIOUS ONES		Drawing D AVALON file: aval1-6	
INDEX	P	MOD BY		Size	Document Number	A	REV
DATE	08-03-1990	DESIGN	D. de RIJK	Sheet	Avalon channel ROUTING	5	P
DRAWN	P. HILCKE	Date: April 11, 1990		Page		5	6



HP HF LMF LMF EQ-ON



MLX5380-40P

ROUTING

- chan\_pre
- chan\_pre
- chan\_post
- chan\_post
- group\_sw1
- group\_sw1/2
- tape\_sw

CONN1

- 4
- 3
- 2
- 1
- 0
- 1
- 2
- 3
- 4
- 5
- 6
- 7
- 8
- 9
- 10
- 11
- 12
- 13
- 14
- 15
- 16
- 17
- 18
- 19
- 20
- 21
- 22
- 23
- 24
- 25
- 26
- 27
- 28
- 29
- 30
- 31
- 32
- 33
- 34
- 35
- 36
- 37
- 38
- 39
- 40

INDEX

THIS DRAWING REPLACES PREVIOUS ONES

REV	P
FILE	avalon
Channel	AVAILON CHANNEL
Module	SUB MODULE CHANNEL
Date	Apr 11, 1990
Sheet	1 of 2

Size Document Number

Date: 06-03-1990

DESIGN: D. S. R. I. K.

DRAWN: P. HILSKA

HOLLAND

Electronica by

1362 CS WEESEP

02940-16914

02940-16987

1362 CS WEESEP

02940-16914

02940-16987

HOLLAND

Electronica by

1362 CS WEESEP

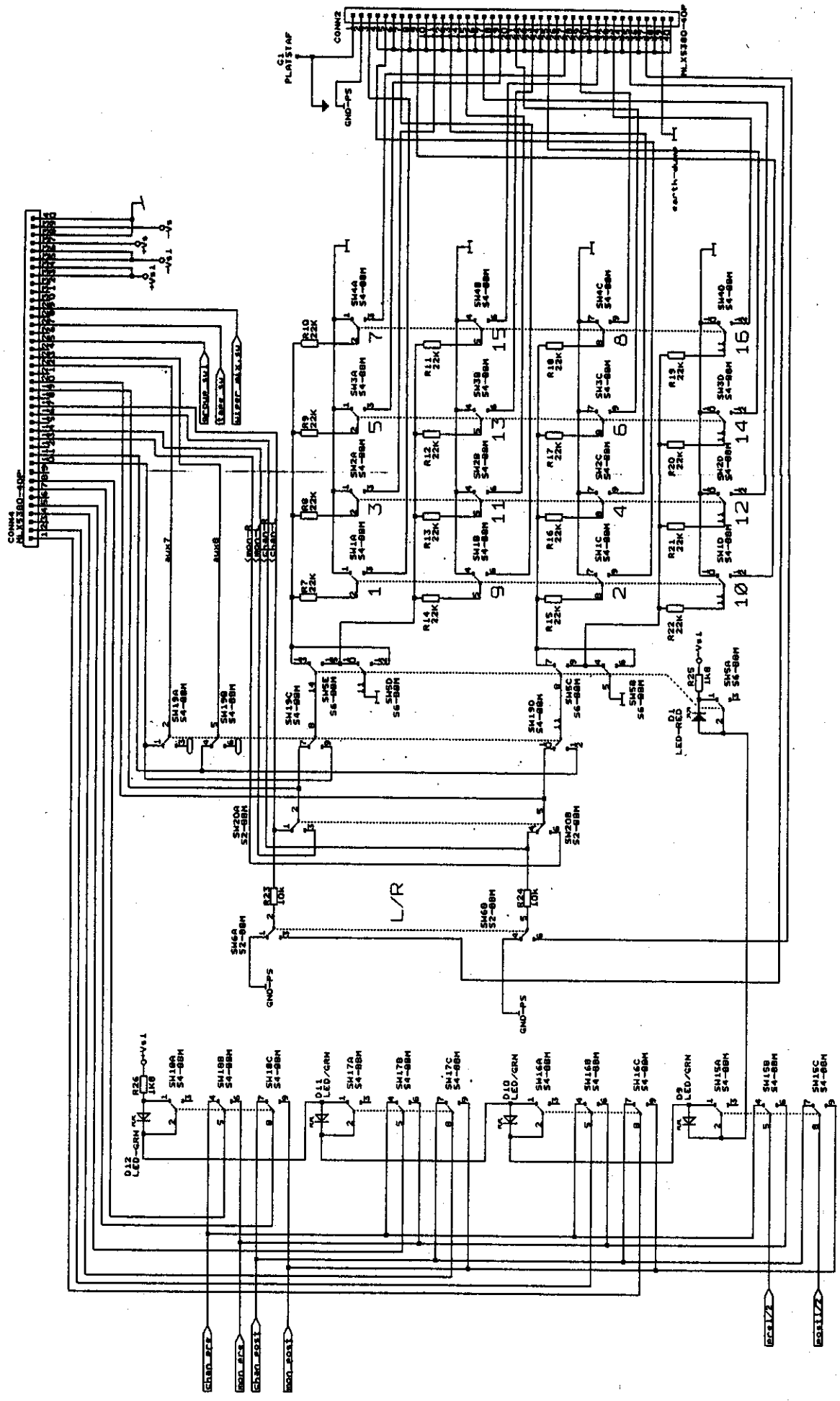
02940-16914

02940-16987

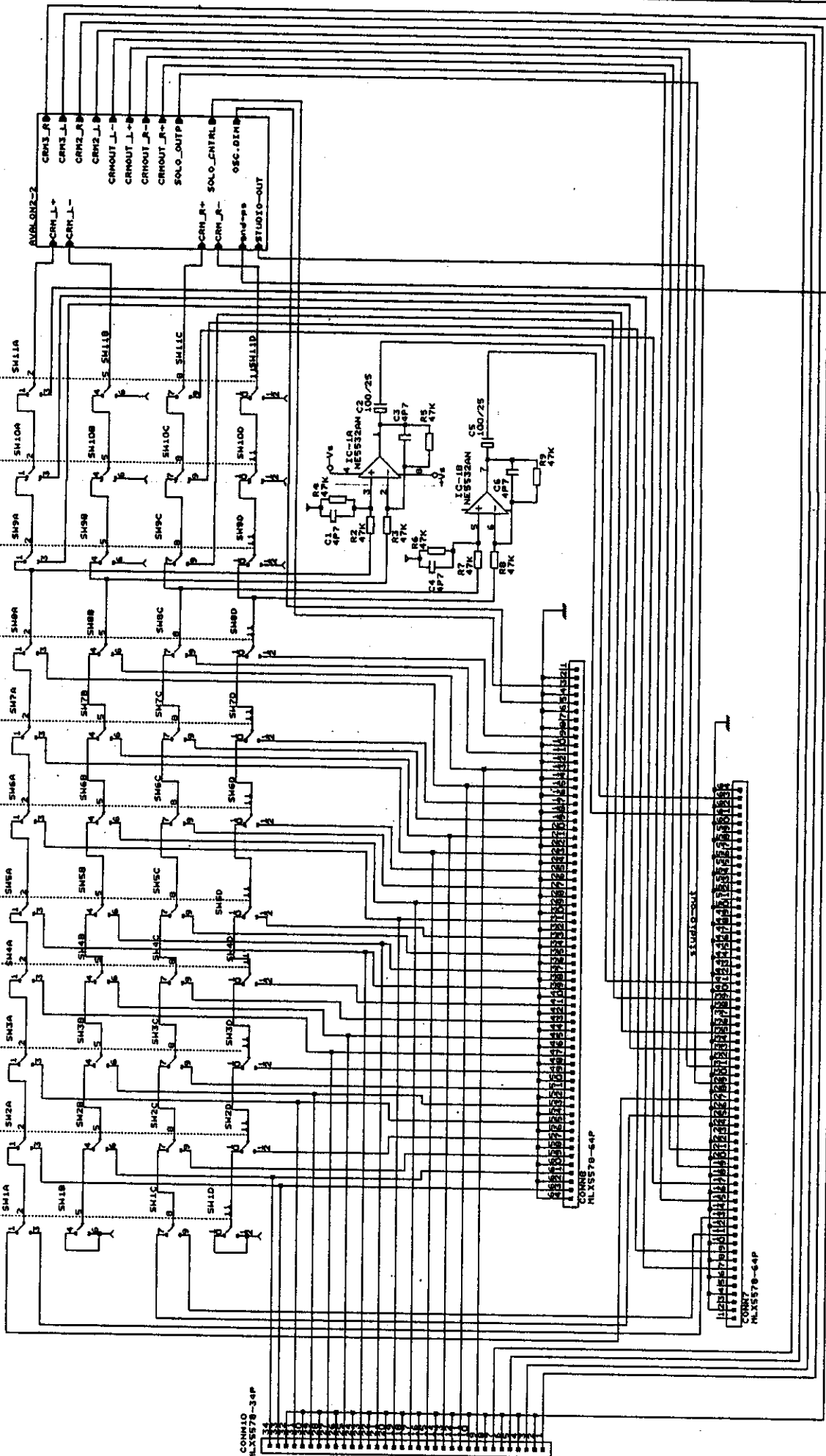
HOLLAND

Electronica by





MON ST1 ST2 ST3 ST4 ST5 ST6 EXT PHNS1 PHNS2 STUDIO

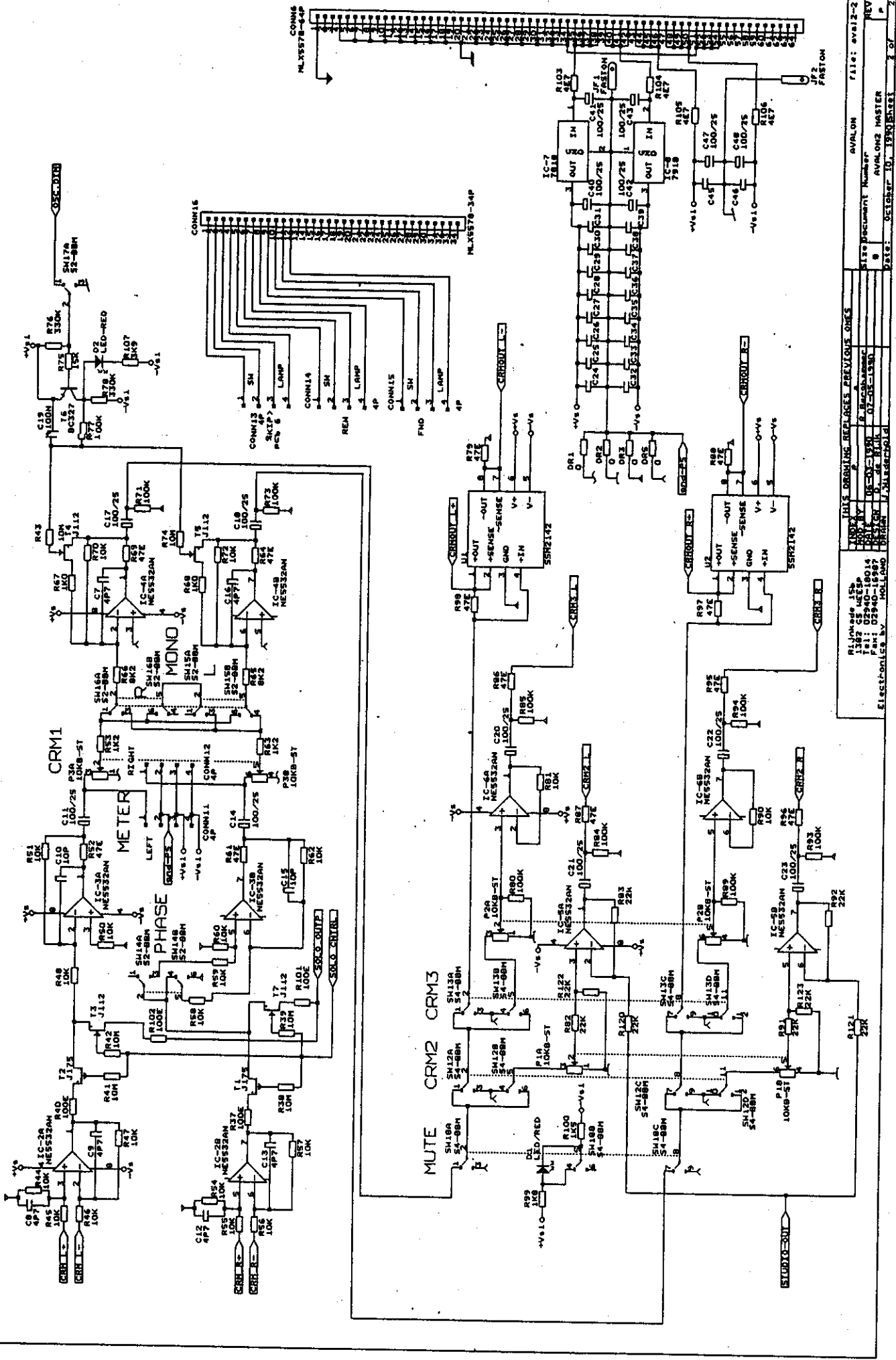


**DR** Electronics, Inc.  
 7825 G Street, Suite 1014  
 San Diego, CA 92121  
 Phone: 619-594-1887  
 Fax: 619-594-1888  
 Email: info@dr-electronics.com  
 Website: www.dr-electronics.com

THIS DRAWING REPLACES PREVIOUS ONES

REV	0	DATE	01/11/00	BY	J. H. HARRIS
REV	1	DATE	02/01/00	BY	J. H. HARRIS
REV	2	DATE	02/01/00	BY	J. H. HARRIS
REV	3	DATE	02/01/00	BY	J. H. HARRIS
REV	4	DATE	02/01/00	BY	J. H. HARRIS
REV	5	DATE	02/01/00	BY	J. H. HARRIS
REV	6	DATE	02/01/00	BY	J. H. HARRIS
REV	7	DATE	02/01/00	BY	J. H. HARRIS
REV	8	DATE	02/01/00	BY	J. H. HARRIS
REV	9	DATE	02/01/00	BY	J. H. HARRIS
REV	10	DATE	02/01/00	BY	J. H. HARRIS

AVALONZ  
 CONN10 MLX5578-34P  
 CONN8 MLX5578-64P  
 CONN7 MLX5578-64P  
 CONN11 MLX5578-64P



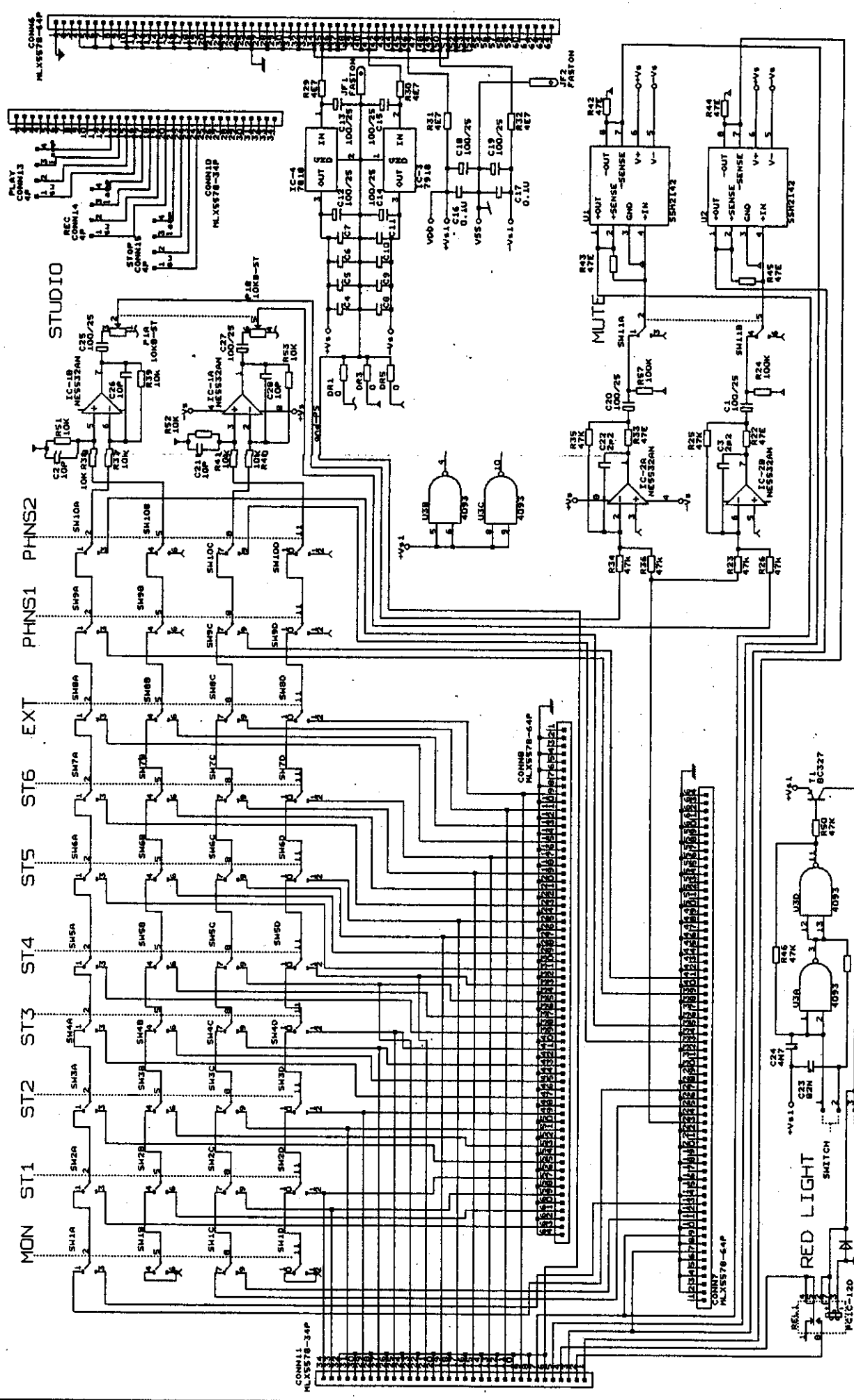
THIS DRAWING REPLACES PREVIOUS ONES

FILE: 07-11-158  
REV: 02-08-1580  
DATE: 01-11-1959  
BY: J.P. KILPATRICK

AVAILON FILE: avai12-2  
SITS DOCUMENT NUMBER: AVAILONE MASTER  
DATE: 10-01-1958  
REV: 1

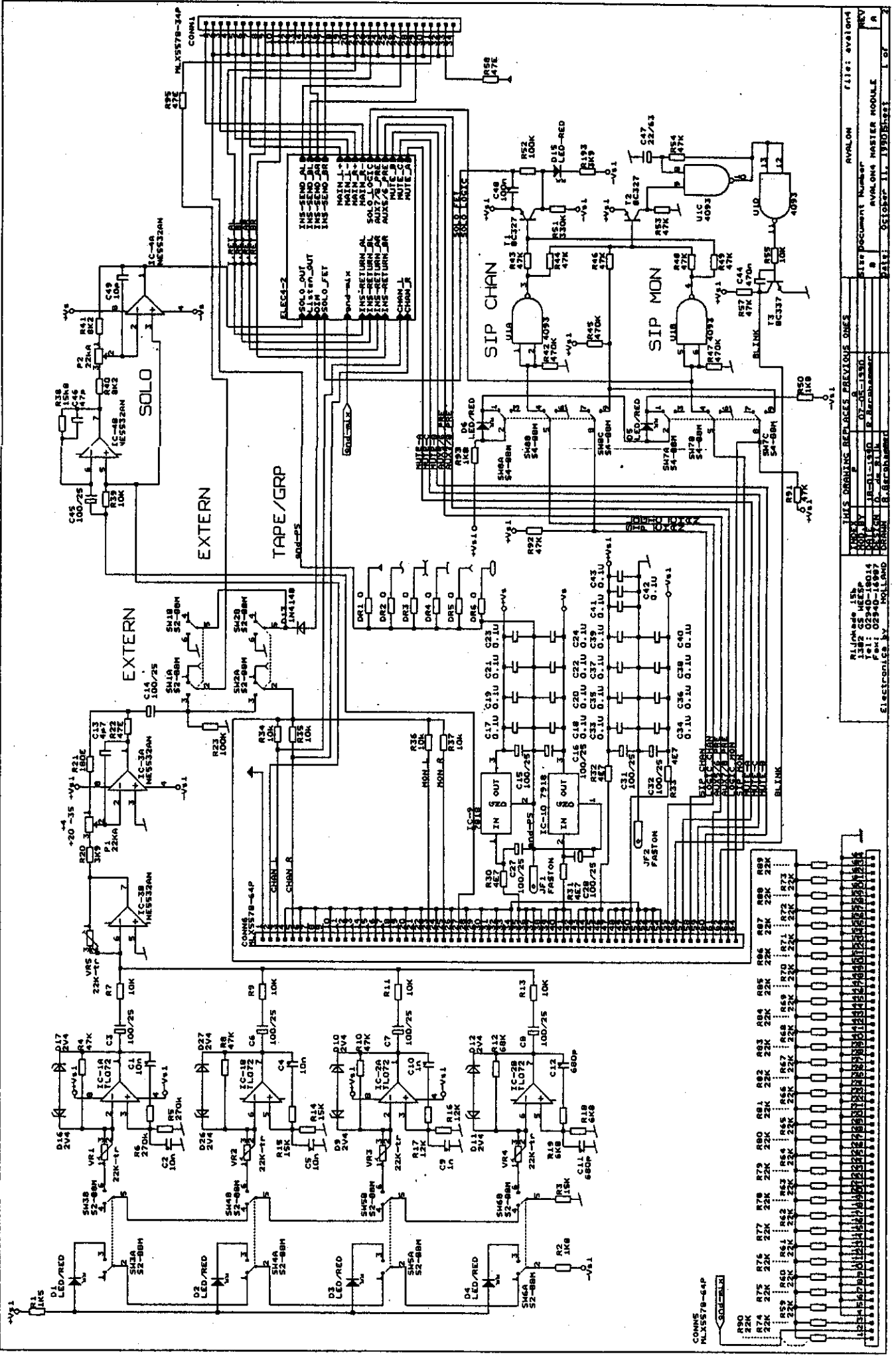
Electronics Co., Inc. - Rolling Ridge, Ill. - J. V. S. - 10-11-58

DATE: 01-11-1959  
REV: 1



THIS DRAWING REPLACES PREVIOUS ONES  
 FILE: AVIOLN  
 FILE: AVIOLN3  
 FILE: AVIOLN4  
 FILE: AVIOLN5  
 FILE: AVIOLN6  
 FILE: AVIOLN7  
 FILE: AVIOLN8  
 FILE: AVIOLN9  
 FILE: AVIOLN10  
 FILE: AVIOLN11  
 FILE: AVIOLN12  
 FILE: AVIOLN13  
 FILE: AVIOLN14  
 FILE: AVIOLN15  
 FILE: AVIOLN16  
 FILE: AVIOLN17  
 FILE: AVIOLN18  
 FILE: AVIOLN19  
 FILE: AVIOLN20  
 FILE: AVIOLN21  
 FILE: AVIOLN22  
 FILE: AVIOLN23  
 FILE: AVIOLN24  
 FILE: AVIOLN25  
 FILE: AVIOLN26  
 FILE: AVIOLN27  
 FILE: AVIOLN28  
 FILE: AVIOLN29  
 FILE: AVIOLN30  
 FILE: AVIOLN31  
 FILE: AVIOLN32  
 FILE: AVIOLN33  
 FILE: AVIOLN34  
 FILE: AVIOLN35  
 FILE: AVIOLN36  
 FILE: AVIOLN37  
 FILE: AVIOLN38  
 FILE: AVIOLN39  
 FILE: AVIOLN40  
 FILE: AVIOLN41  
 FILE: AVIOLN42  
 FILE: AVIOLN43  
 FILE: AVIOLN44  
 FILE: AVIOLN45  
 FILE: AVIOLN46  
 FILE: AVIOLN47  
 FILE: AVIOLN48  
 FILE: AVIOLN49  
 FILE: AVIOLN50  
 FILE: AVIOLN51  
 FILE: AVIOLN52  
 FILE: AVIOLN53  
 FILE: AVIOLN54  
 FILE: AVIOLN55  
 FILE: AVIOLN56  
 FILE: AVIOLN57  
 FILE: AVIOLN58  
 FILE: AVIOLN59  
 FILE: AVIOLN60  
 FILE: AVIOLN61  
 FILE: AVIOLN62  
 FILE: AVIOLN63  
 FILE: AVIOLN64  
 FILE: AVIOLN65  
 FILE: AVIOLN66  
 FILE: AVIOLN67  
 FILE: AVIOLN68  
 FILE: AVIOLN69  
 FILE: AVIOLN70  
 FILE: AVIOLN71  
 FILE: AVIOLN72  
 FILE: AVIOLN73  
 FILE: AVIOLN74  
 FILE: AVIOLN75  
 FILE: AVIOLN76  
 FILE: AVIOLN77  
 FILE: AVIOLN78  
 FILE: AVIOLN79  
 FILE: AVIOLN80  
 FILE: AVIOLN81  
 FILE: AVIOLN82  
 FILE: AVIOLN83  
 FILE: AVIOLN84  
 FILE: AVIOLN85  
 FILE: AVIOLN86  
 FILE: AVIOLN87  
 FILE: AVIOLN88  
 FILE: AVIOLN89  
 FILE: AVIOLN90  
 FILE: AVIOLN91  
 FILE: AVIOLN92  
 FILE: AVIOLN93  
 FILE: AVIOLN94  
 FILE: AVIOLN95  
 FILE: AVIOLN96  
 FILE: AVIOLN97  
 FILE: AVIOLN98  
 FILE: AVIOLN99  
 FILE: AVIOLN100

DR  
 Electronics, Inc.  
 1382 CS NEESP  
 1000 AV  
 TEL: 02940-18014  
 TEL: 02940-16987  
 FAX: 02940-16987  
 HOLLAND, MISSISSIPPI  
 J. SHREVEBORN  
 DATE: OCTOBER 10, 1990  
 REV



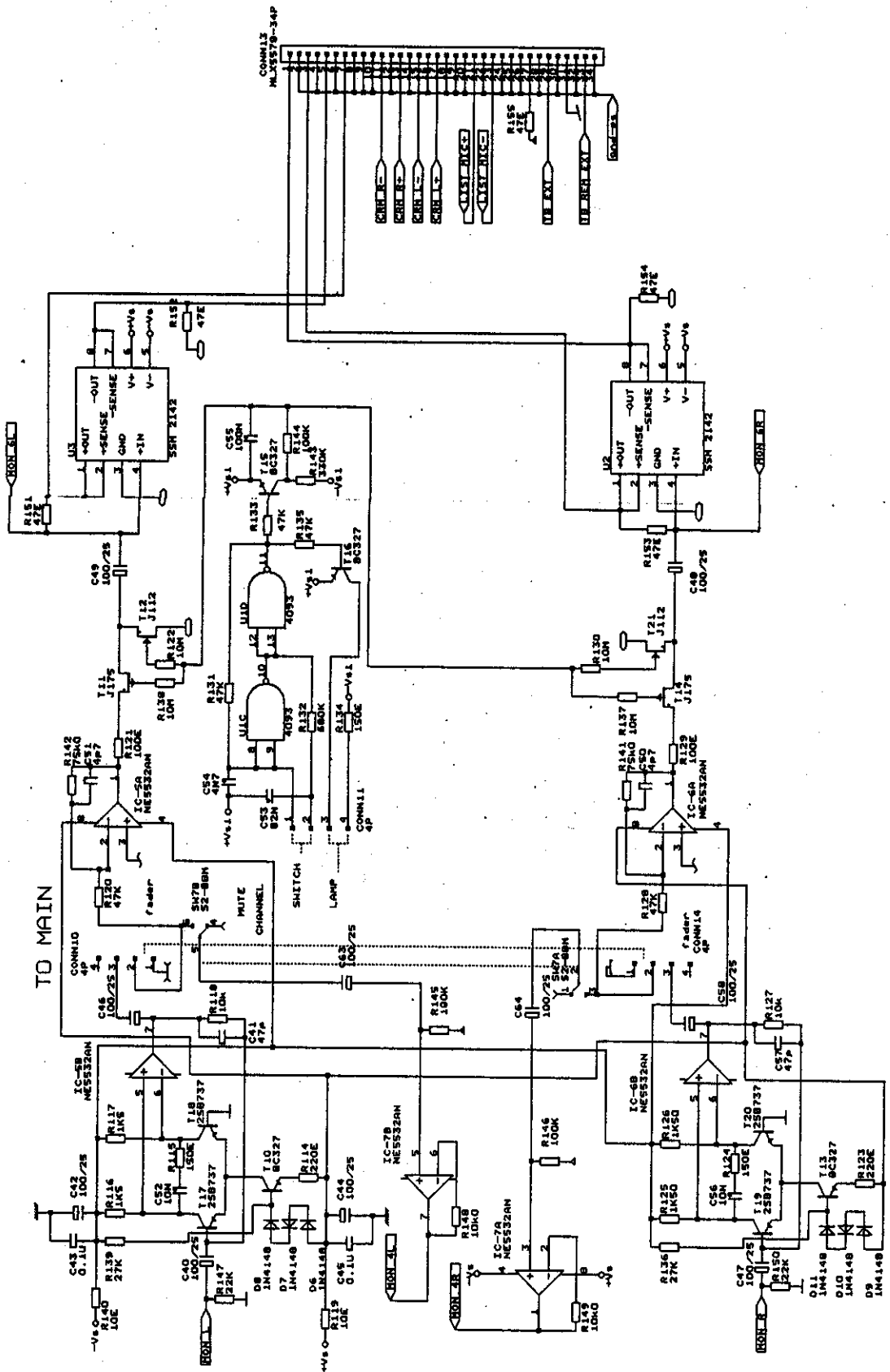
THIS DRAWING REPLACES PREVIOUS ONE  
REVISED BY: [blank] DATE: 07-06-1950  
DESIGNED BY: [blank]  
DRAWN BY: [blank]  
CHECKED BY: [blank]  
ELECTRONICS BY: [blank]  
MOLAND  
MOLAND

AVALON  
AVALON  
AVALON MASTER MODULE  
REV: A  
DATE: 05/08/53  
OF 2

1	2	3	4	5	6	7	8	9	10	11	12	13	14	15	16	17	18	19	20	21	22	23	24	25	26	27	28	29	30	31	32	33	34	35	36	37	38	39	40	41	42	43	44	45	46	47	48	49	50	51	52	53	54	55	56	57	58	59	60	61	62	63	64	65	66	67	68	69	70	71	72	73	74	75	76	77	78	79	80	81	82	83	84	85	86	87	88	89	90	91	92	93	94	95	96	97	98	99	100
---	---	---	---	---	---	---	---	---	----	----	----	----	----	----	----	----	----	----	----	----	----	----	----	----	----	----	----	----	----	----	----	----	----	----	----	----	----	----	----	----	----	----	----	----	----	----	----	----	----	----	----	----	----	----	----	----	----	----	----	----	----	----	----	----	----	----	----	----	----	----	----	----	----	----	----	----	----	----	----	----	----	----	----	----	----	----	----	----	----	----	----	----	----	----	----	----	----	----	-----





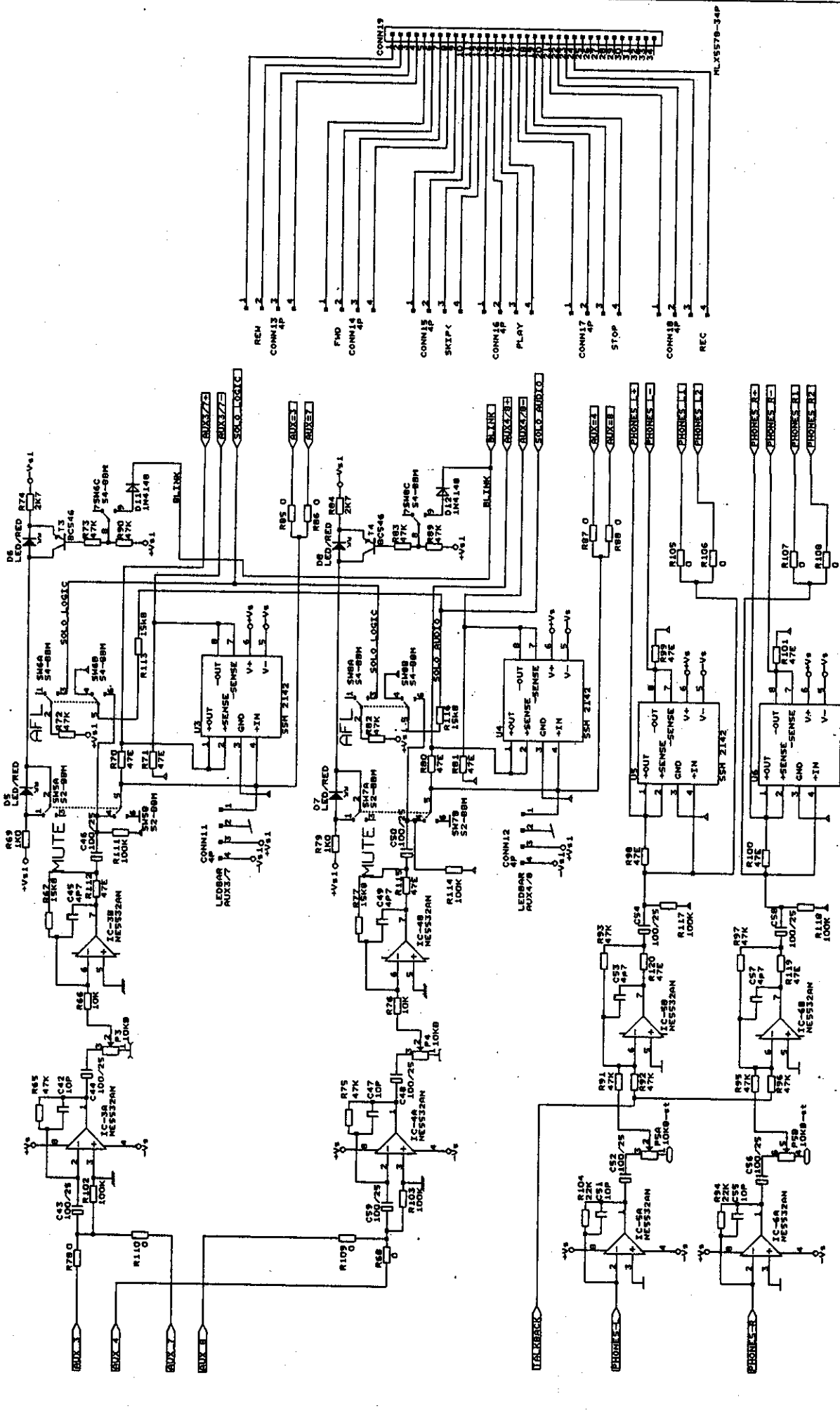


THIS DRAWING REPLACES PREVIOUS ONE		avalon	file: avails-2
REVISED BY	DATE	SIZE	DOCUMENT NUMBER
J. H. HARRIS	10-24-68	8	AVALONS MASTER MODULE
DESIGNED BY	DATE	SIZE	DOCUMENT NUMBER
J. H. HARRIS	10-24-68	8	AVALONS MASTER MODULE
APPROVED BY	DATE	SIZE	DOCUMENT NUMBER
J. H. HARRIS	10-24-68	8	AVALONS MASTER MODULE
DESIGNED BY	DATE	SIZE	DOCUMENT NUMBER
J. H. HARRIS	10-24-68	8	AVALONS MASTER MODULE

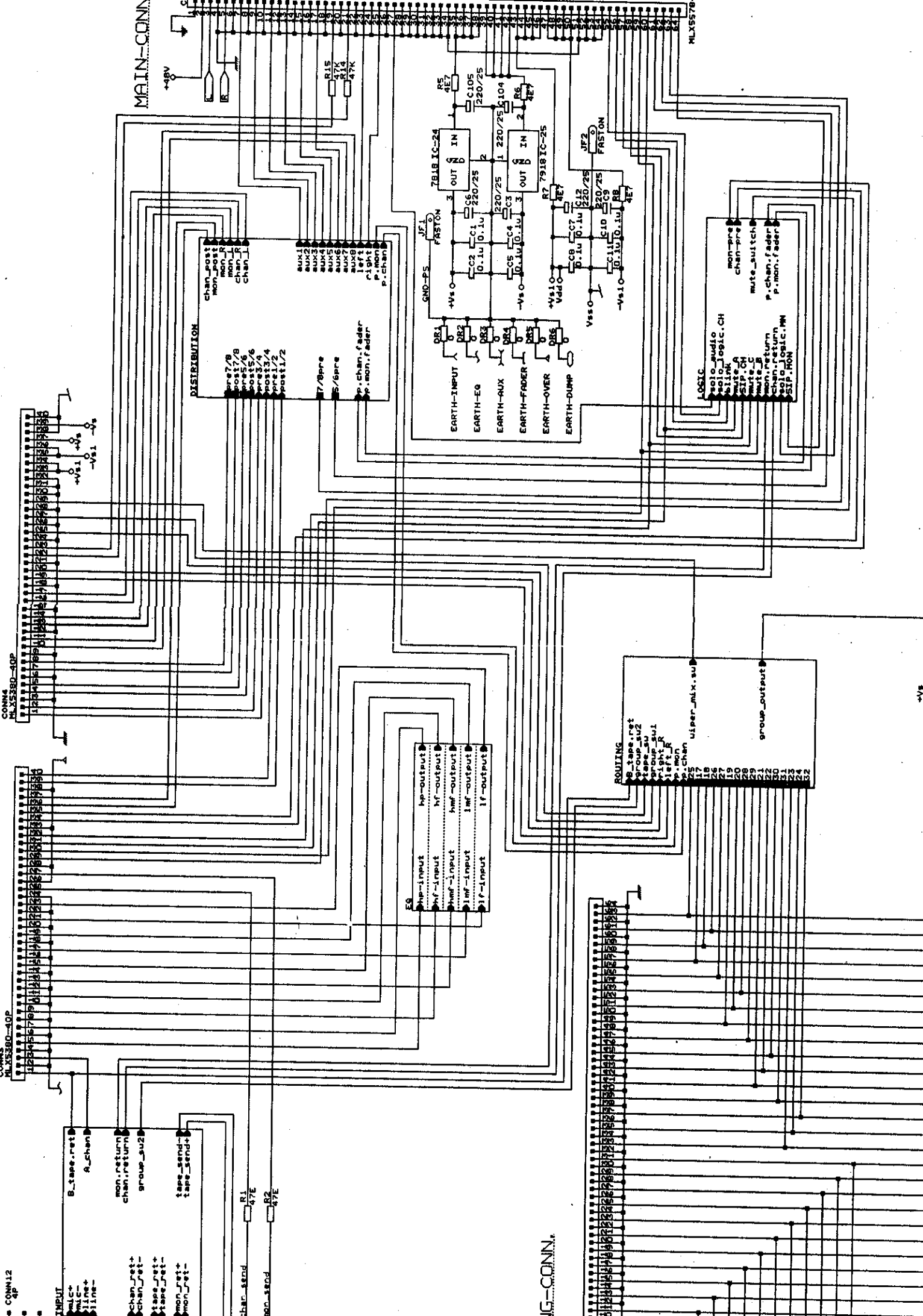












MAIN-CONN

+18V

MLX5378

DISTRIBUTION

chan\_post  
mon\_post  
mon\_r  
chan\_r  
chan\_l  
aux1  
aux2  
aux3  
aux4  
aux5  
aux6  
aux7  
aux8  
left  
right  
p.mon  
p.chan

EQ

hp-input  
hf-input  
hmf-input  
lf-input  
lf-input

hp-output  
hf-output  
hmf-output  
lf-output  
lf-output

ROUTING

hp\_tape\_ret  
group\_su2  
tape\_su  
right\_su1  
right\_r  
left\_r  
p.mon  
p.chan  
uiper\_mlx\_su

group\_output

LOGIC

solo\_audio  
blink  
mute  
mute\_a  
mute\_b  
mute\_c  
mon\_return  
chan\_return  
solo\_logic\_in  
sip\_mon

mon-pre  
chan-pre  
mute\_switch  
p.chan.fader  
p.mon.fader

CONN12

+18V