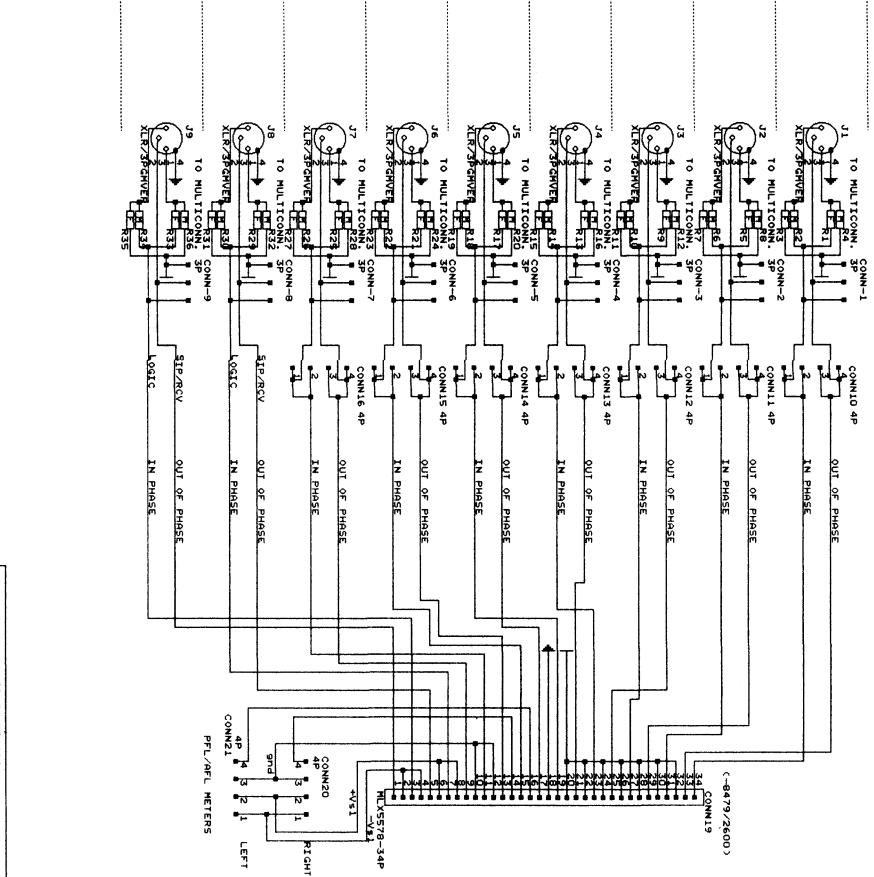


"AXION"
SCHEMATICS

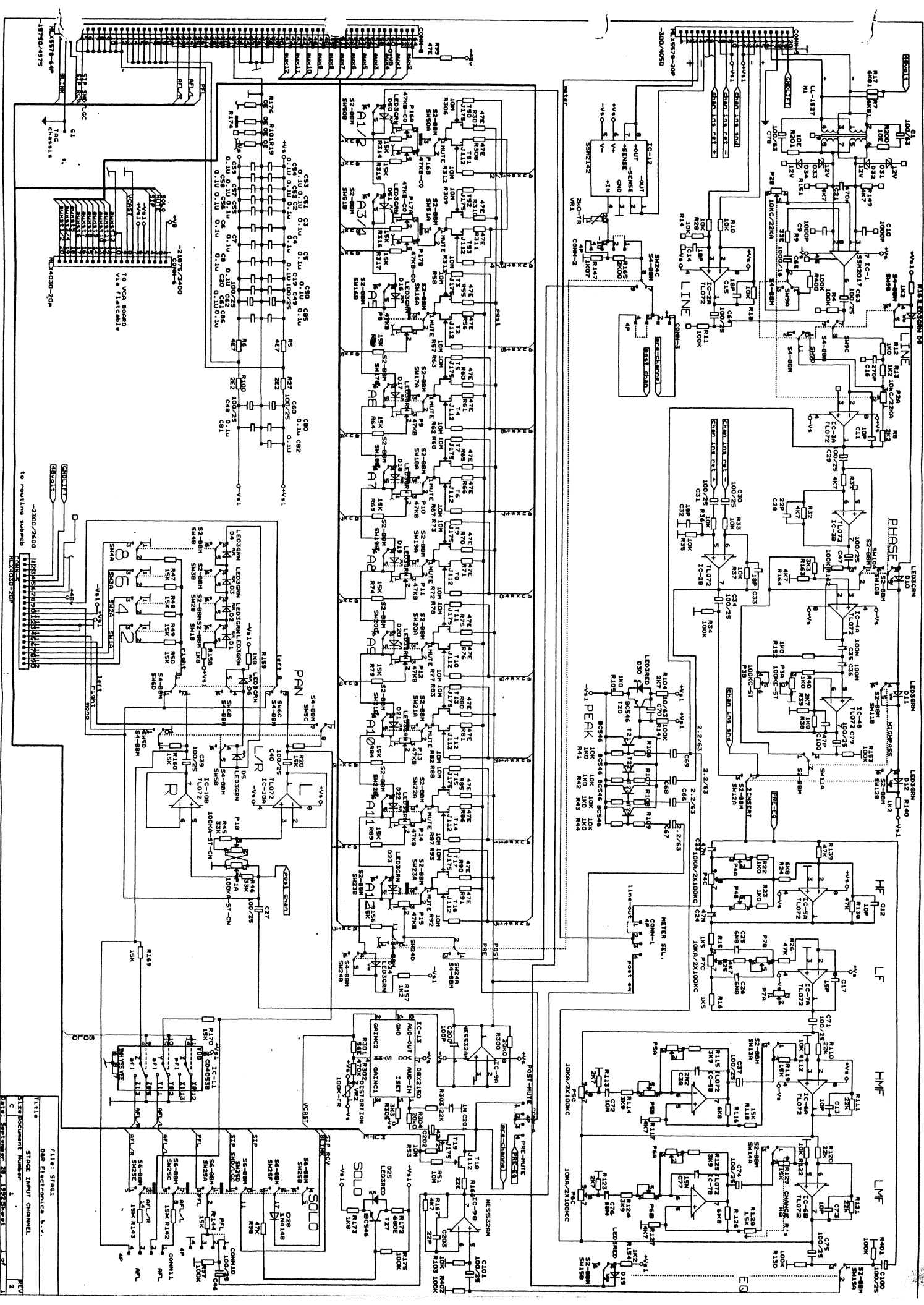
DR

STAGE 4 STAGES STAGE5 STAGE6 STAGE7 STAGE8 STAGE9 STAGE9

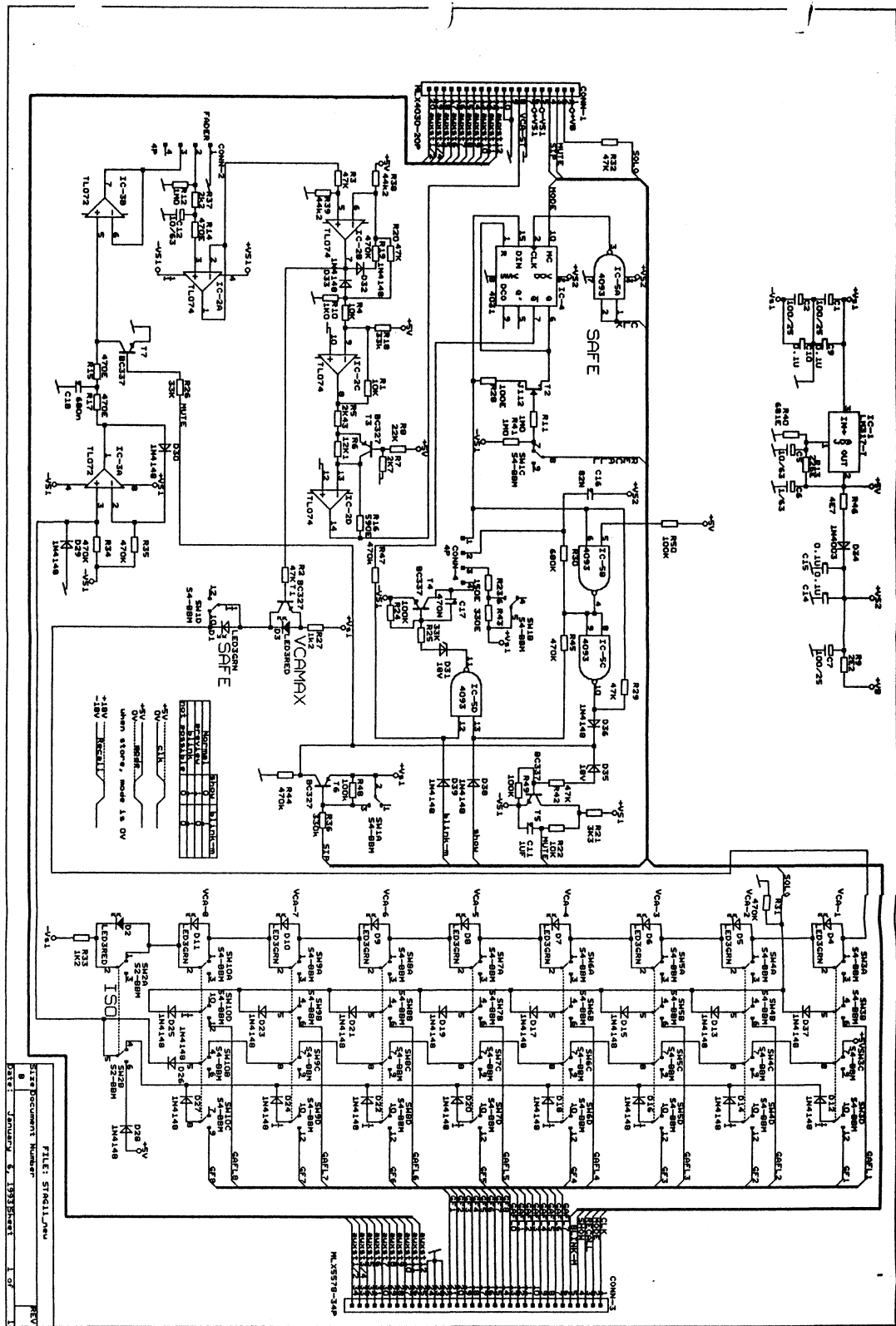
M	M	M	M	M	M	M	F
AUX1	AUX2	AUX3	AUX4	AUX5	AUX6	AUX1	AUX1
M	M	M	M	M	M	M	F
AUX7	AUX8	AUX9	AUX10	AUX11	AUX12	AUX2	AUX2
M	M	M	M	M	M	F	F
PFL	LEFT	TB DIR	ALT/PA LEFT	AUX10 OSC.	AUX10	AUX3	AUX3
M	M	M	M	M	M	F	F
AFL/L	RIGHT	MOND	ALT/PA RIGHT	PFL SLAVE	AUX11	AUX4	AUX4
M	M	M	M	M	M	F	F
AFL/R	INSLFT SEND	INSMND SEND	SPARE	AFL/L SLAVE	AUX12	AUX5	AUX5
M	M	M	M	M	M	F	F
MON/L	INSLFT RET	INSMND RETURN	2TRR/L	AFL/R SLAVE	---	AUX6	AUX6
M	M	M	M	M	M	F	F
MON/R	INSRGHT SEND	INSRGHT CALL/A	2TRR/R	LEFT SLAVE	---	AUX7	AUX7
---	INSRGHT RET	INSRGHT CALL/B	2TRB/L	RIGHT SLAVE	---	AUX8	AUX8
---	LISTEN	TB OUT	2TRB/R	MOND SLAVE	---	AUX9	AUX9
---	---	---	---	---	---	---	---



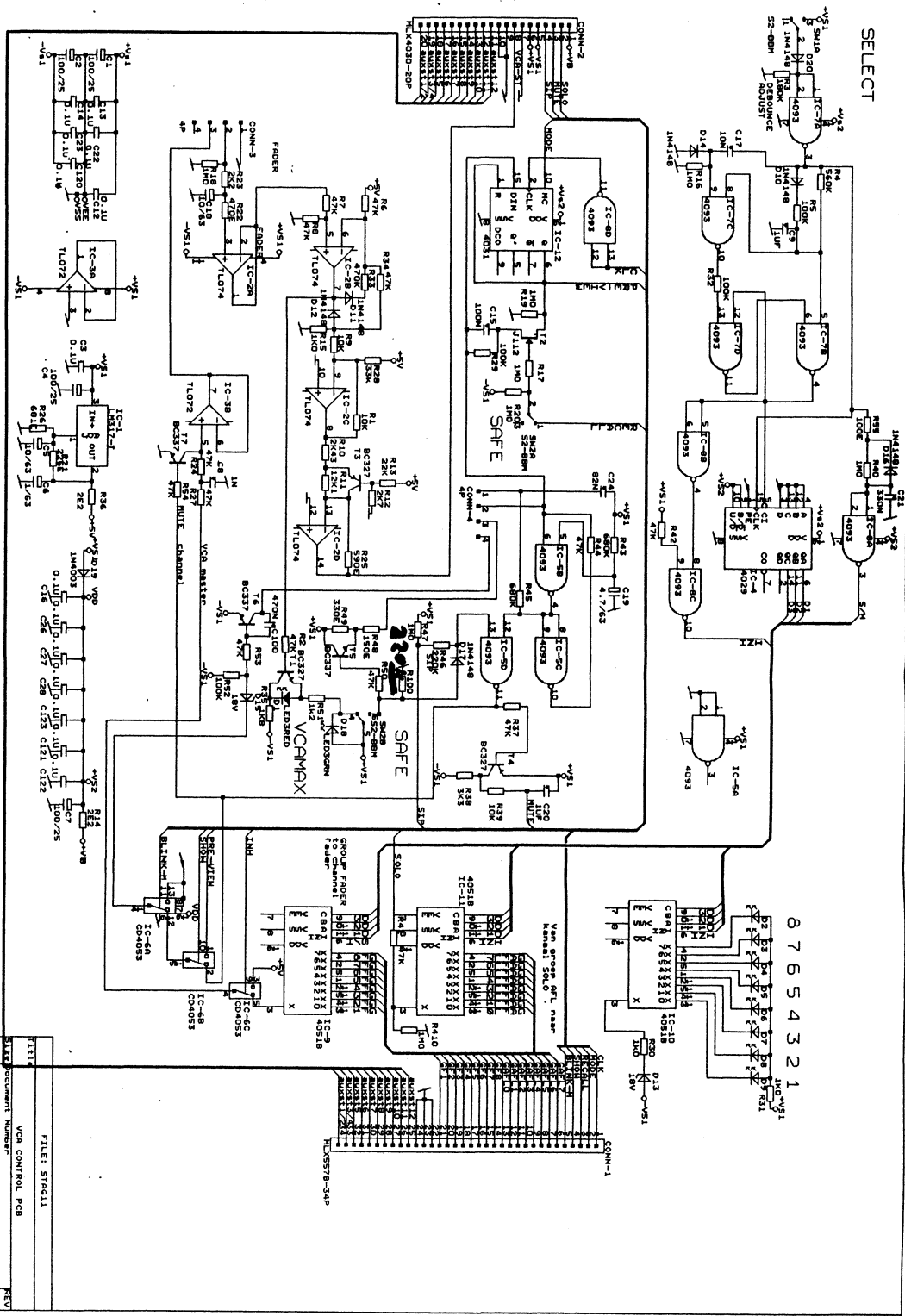
FILE: STRA00
 TITLE: STAGE MSTR IN/OUTPUT PCB'S
 SIZE: 8
 DATE: SEPTEMBER 28, 1992
 REV: 1 OF 1



7118: STRAHL	DATE: 1937
DRS ELECTRONICA B.V.	REV: 2
STAGE INPUT CHANNEL	
DESIGN: SEPTEMBER 28 1937	

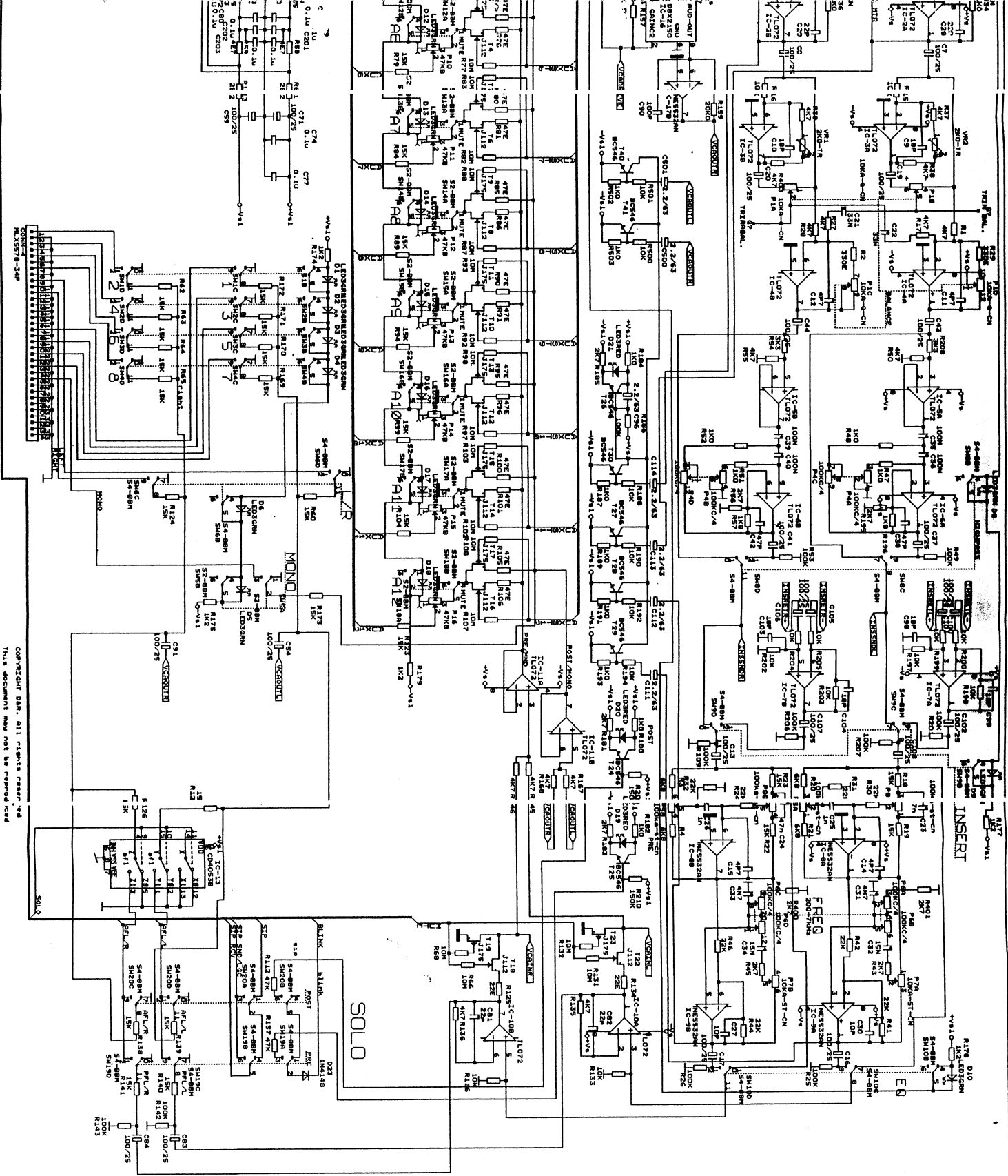


SELECT



8 7 6 5 4 3 2 1

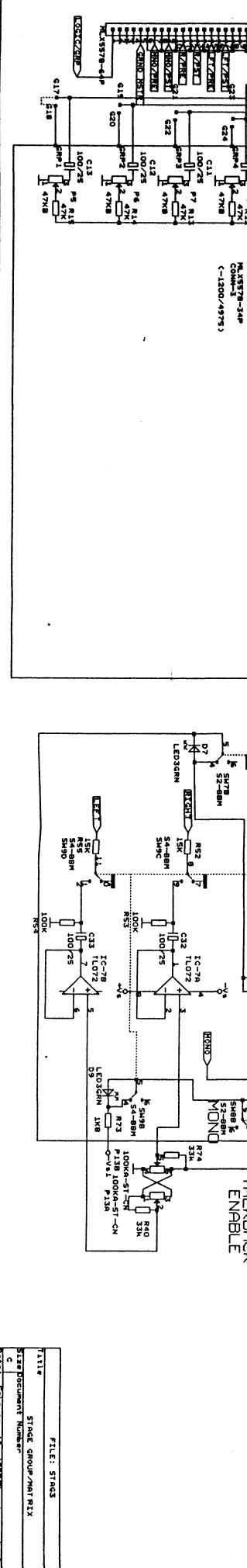
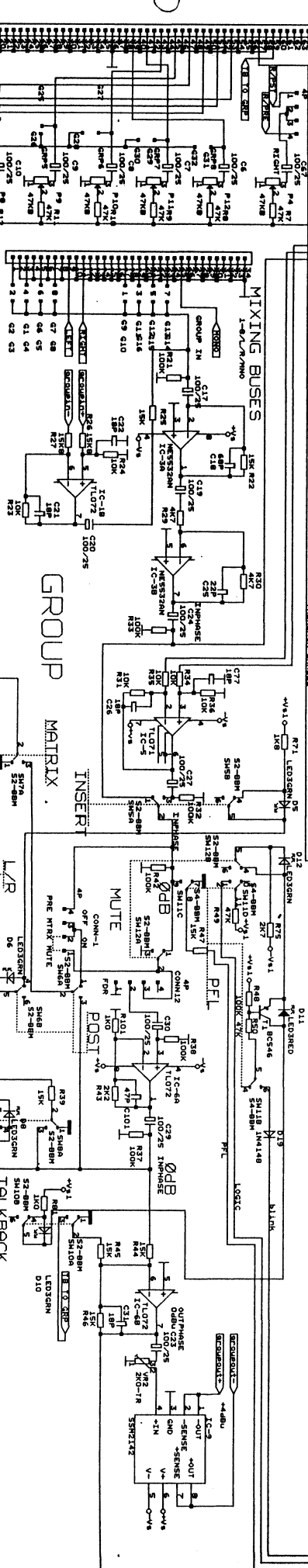
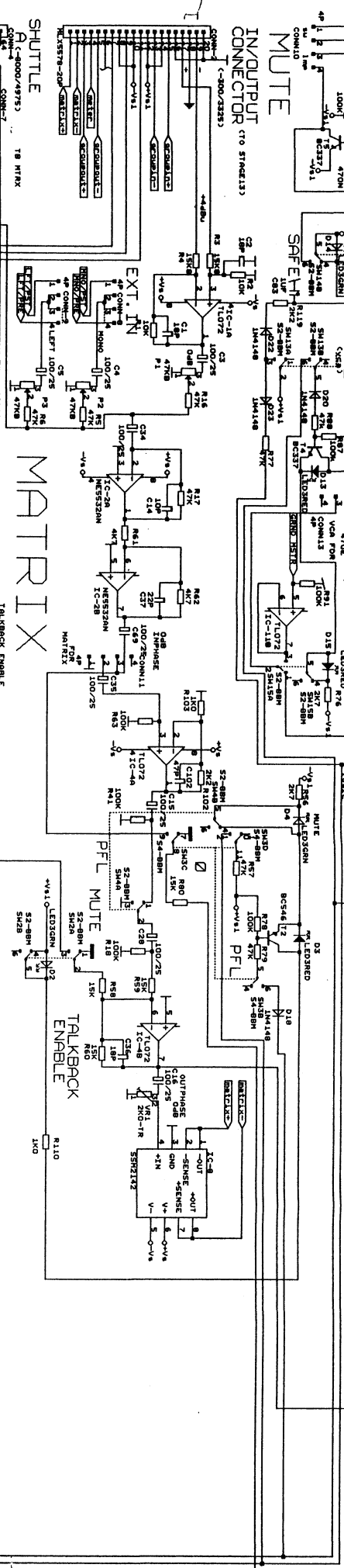
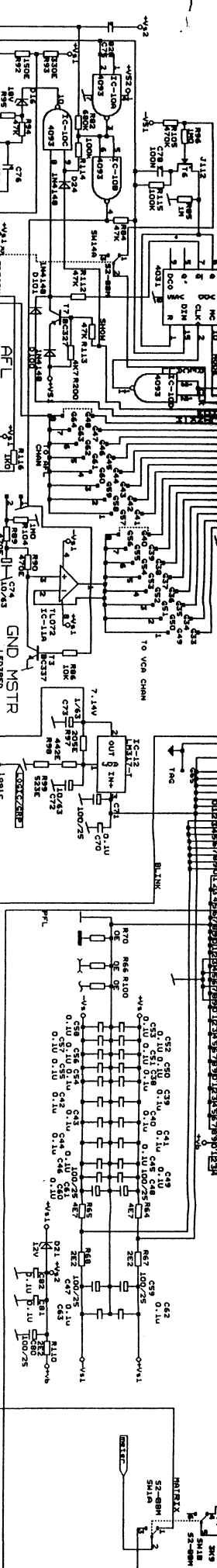
FILE: STG11
 VCA CONTROL PCB
 DOCUMENT NUMBER:
 REV 2
 DATE: SEPTEMBER 29 1972



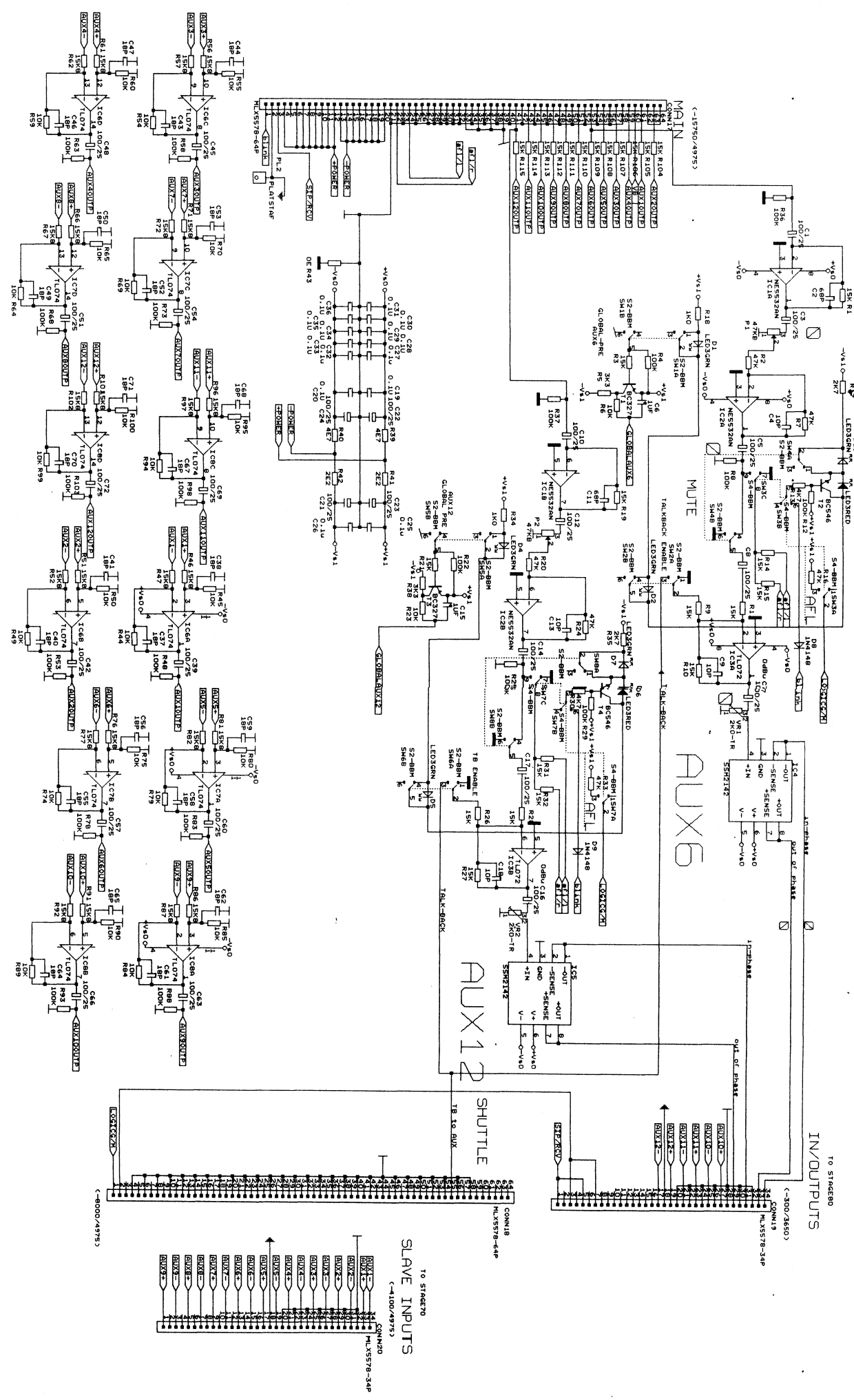
COPYRIGHT DSR. All rights reserved.
 This document may not be reproduced
 in any form without the written permission of DSR.

FILE: STAGE
TITLE: STAGE STEREO INPUT CHANNEL
SIZE: Document Number
REV: 0
DATE: December 10, 1983
REV: 0

MAIN CONNECTOR



FILE: STAGE
STAGE GROUP/MATRIX
STAGE DOCUMENT NUMBER
REV
DATE: FEBRUARY 16, 1993
1 OF 2



(-15750/4975)

MUTE

AUX 6

AUX 2

SHUTTLE

SLAVE INPUTS

IN/OUTPUTS

10 STAGE80

(-300/3650)

CONN19

MLX578-34P

CONN18

MLX578-64P

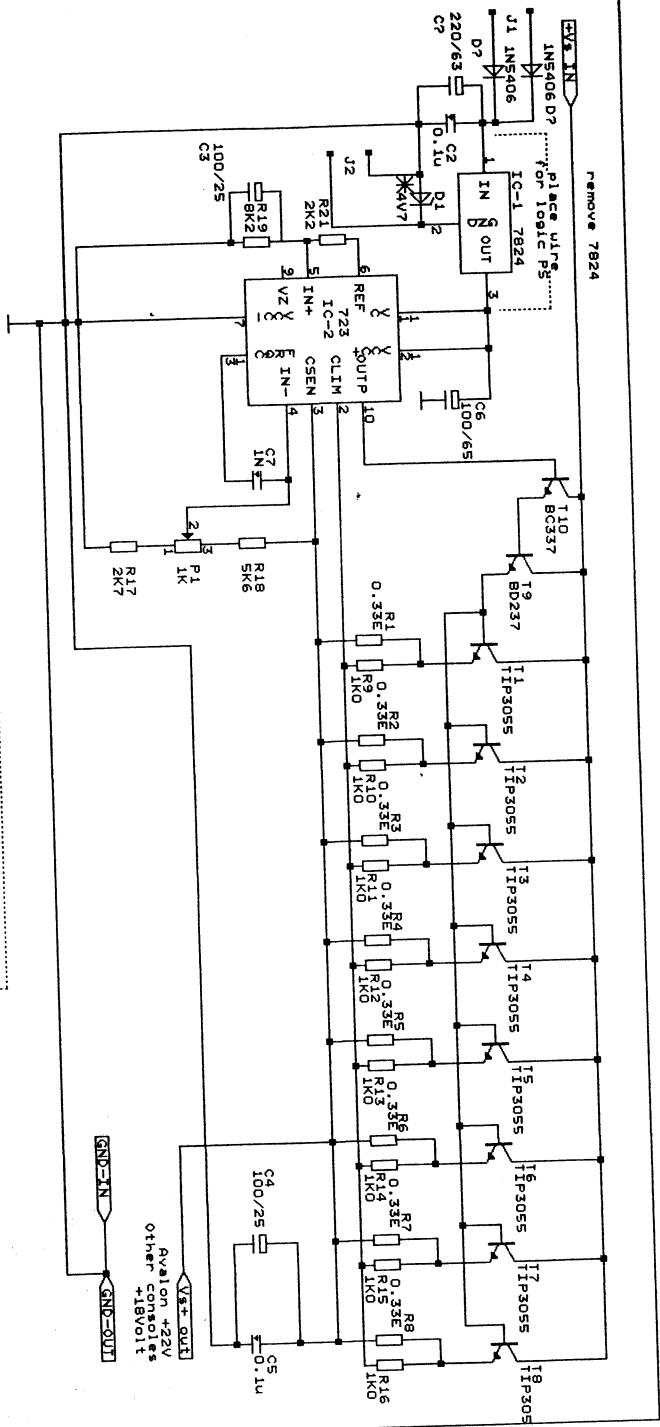
CONN20

MLX578-34P

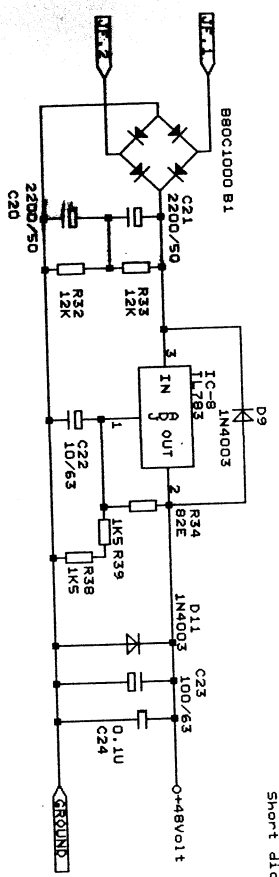
(-1000/4975)

10 STAGE70

(-8000/4975)

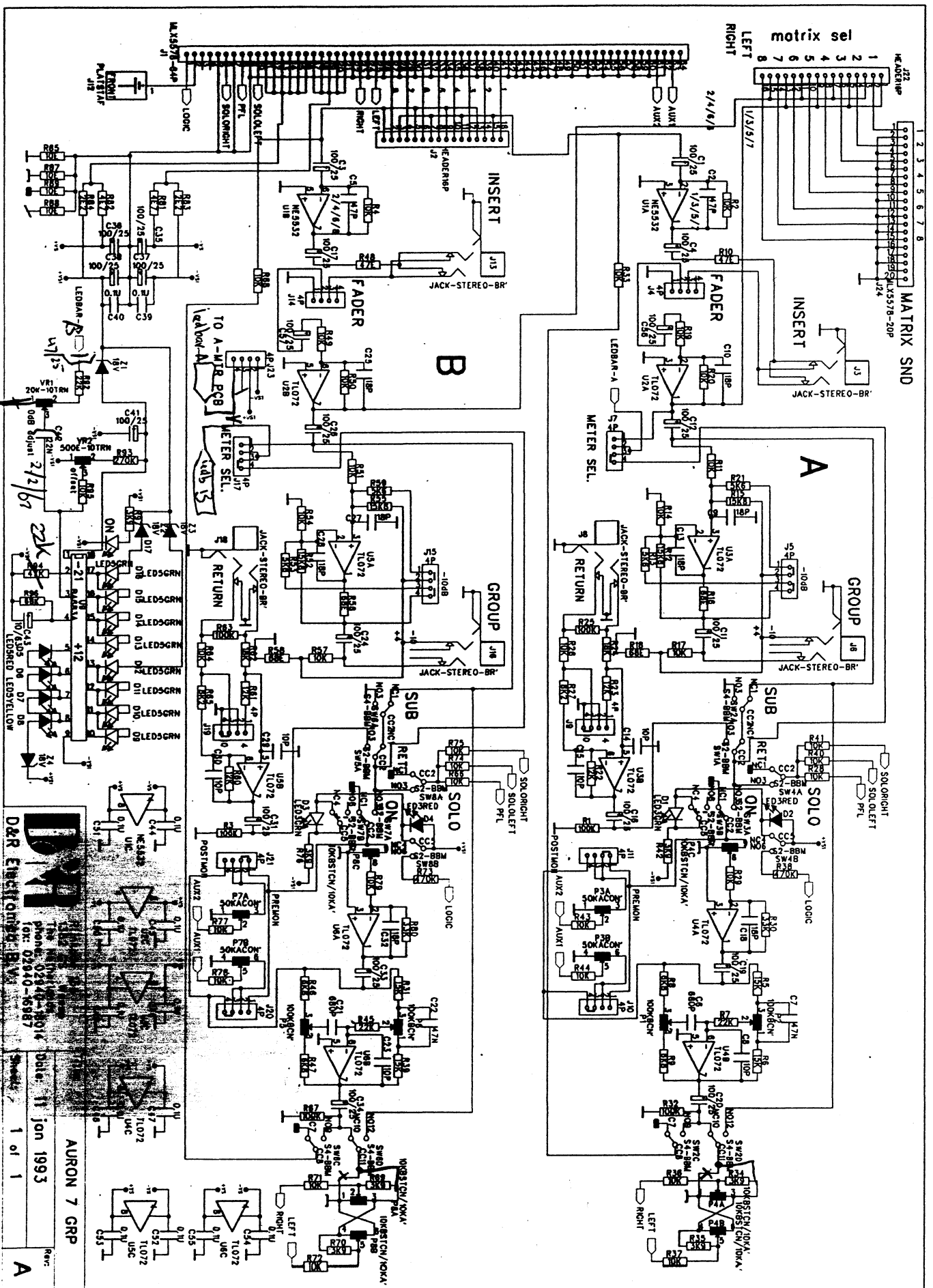


NEGATIVE SUPPLY IDENTICAL TO POSITIVE SUPPLY



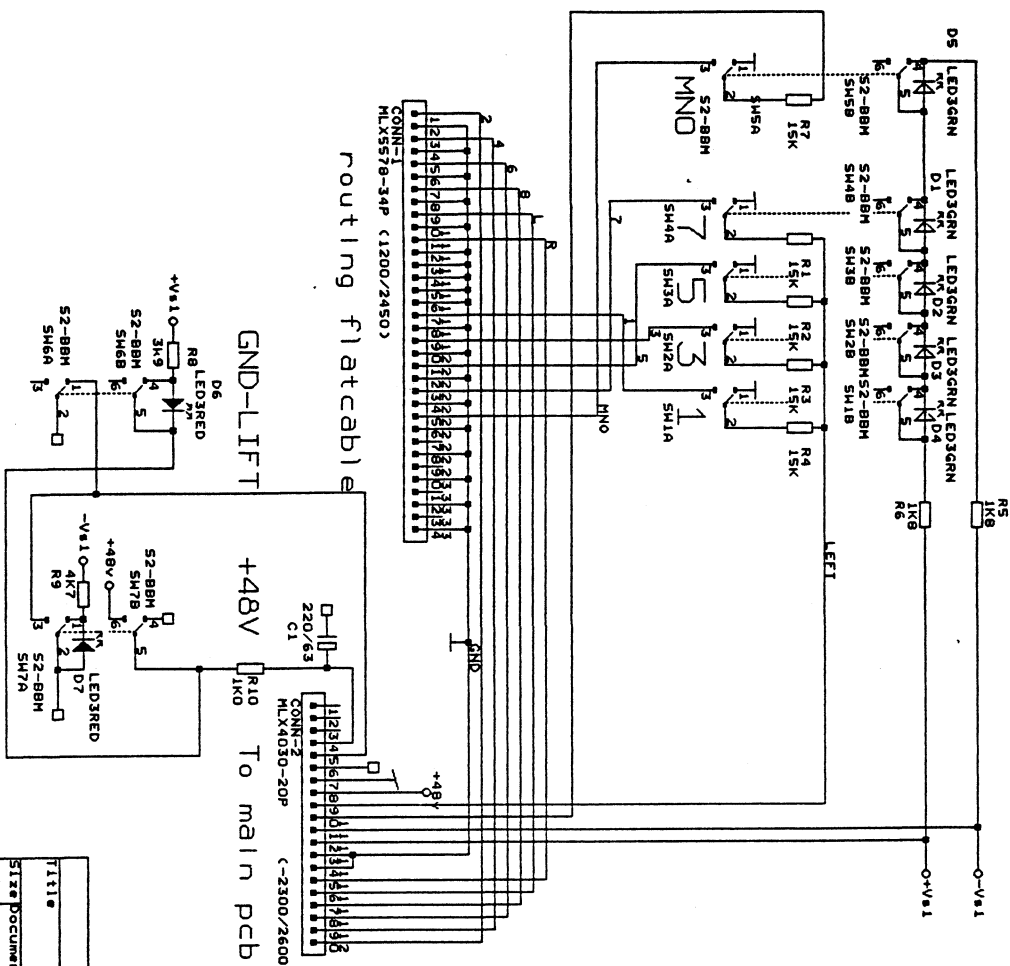
Short diode for Marillon/Triton/Oxilon/Axlon/Airtec consoles

Title		File: Power
Power Supply regulator boards		DRR Electronics b.v.
Size/Document Number	A	REV
Date: November 27, 1993	Sheet	of



D&R
 The Netherlands
 Phone: 020-44-18016
 Fax: 020-40-6387

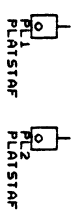
AURON 7 GRP
 Date: 11 Jan 1993
 Sheet: 1 of 1
 Rev: A



routing plate cable

GND-LIFT

+48V To main pcb



Title		FILE:STAG10
Stage Document Number		9
Date: September 29, 1992		Sheet 1 of 1
REV		

