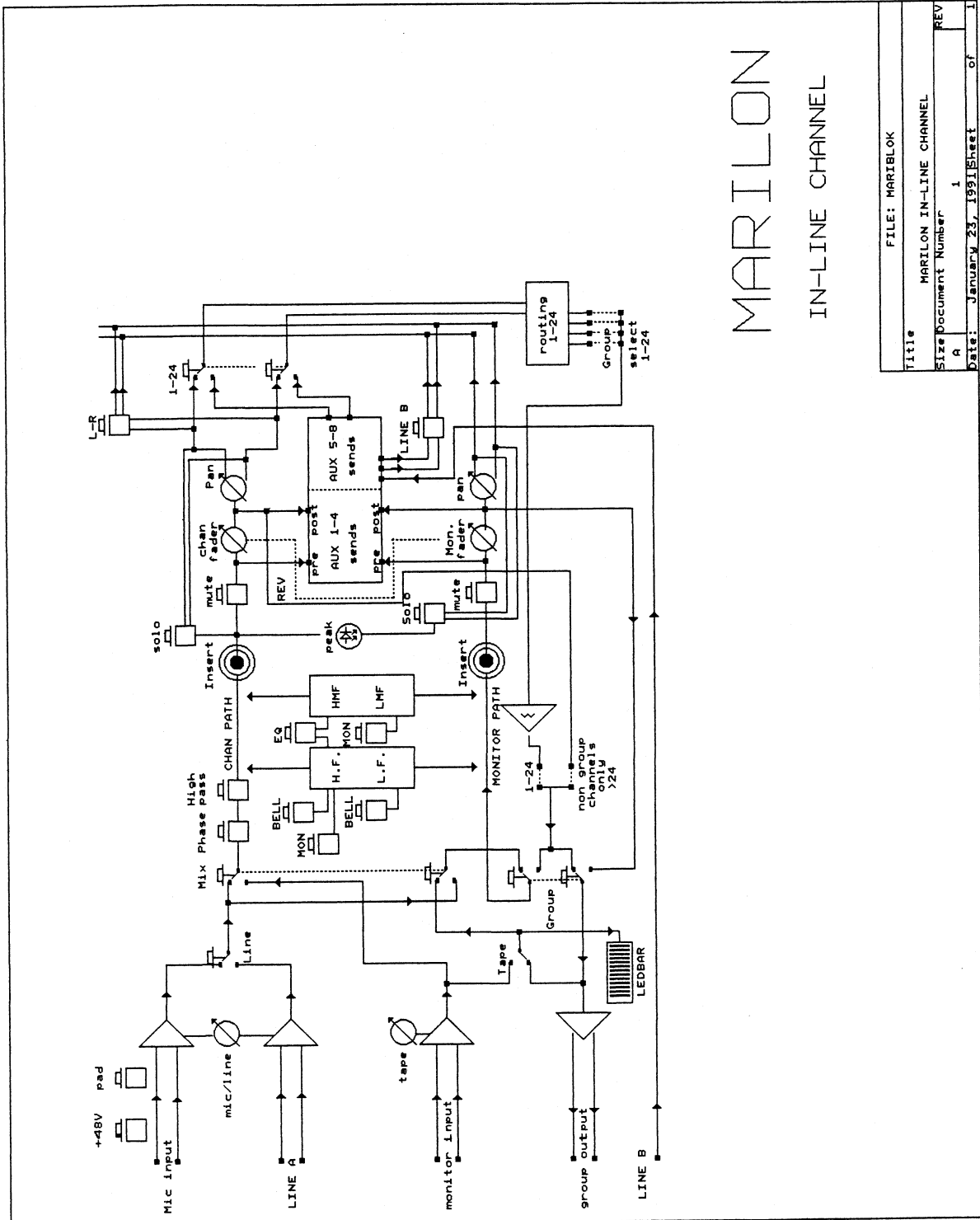


"MARILON"

SERVICE MANUAL

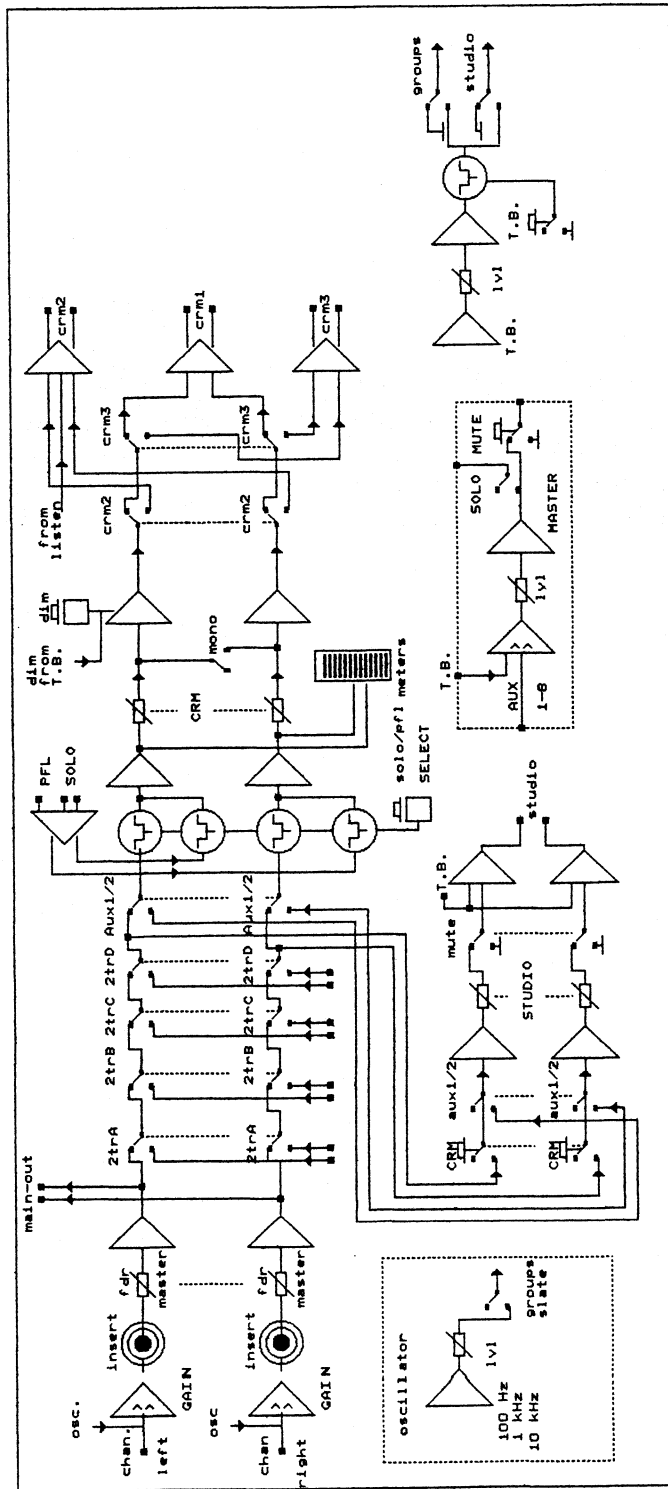
DNR



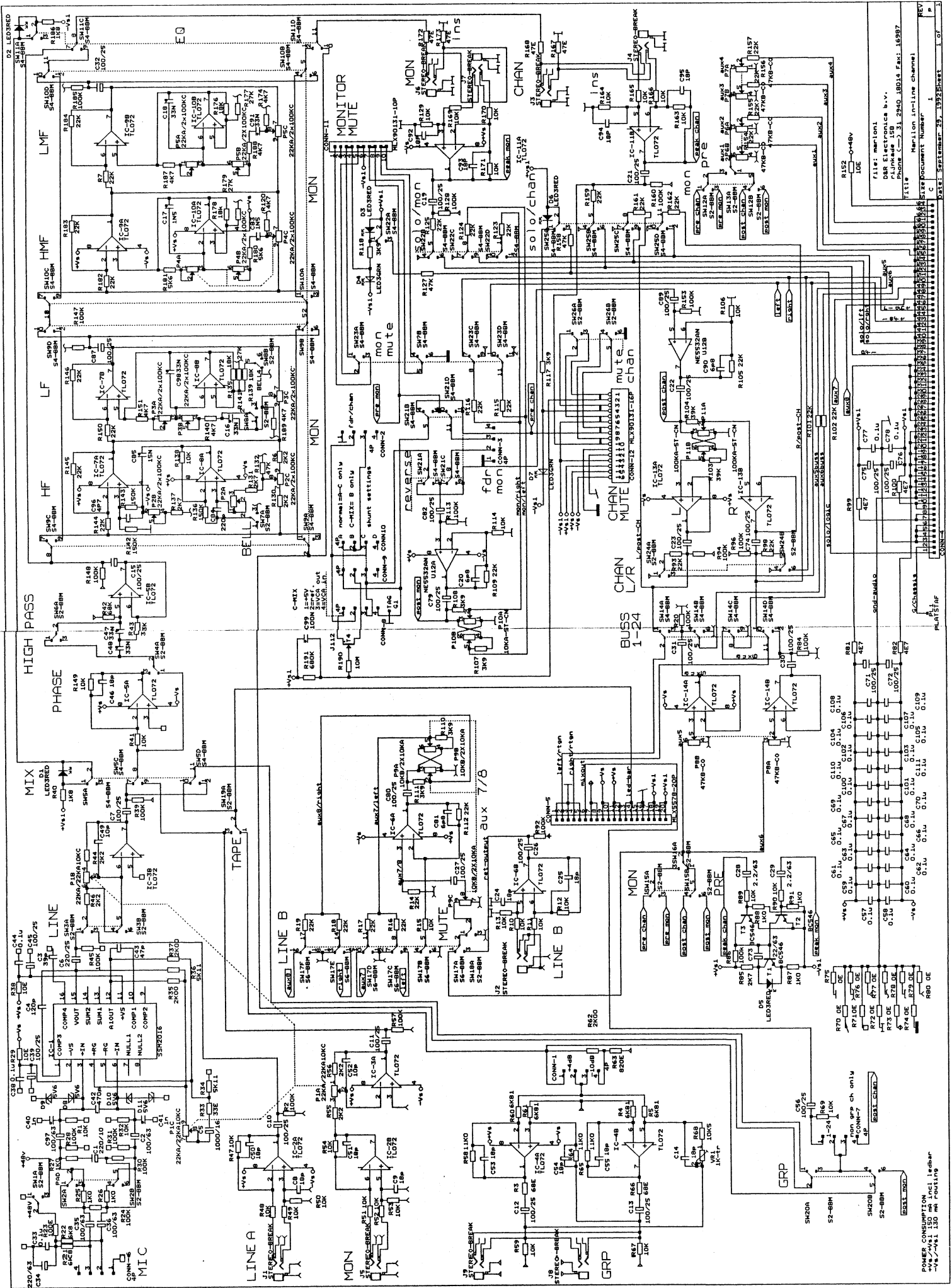
MARILION

IN-LINE CHANNEL

FILE: MARIBLOK
Title MARILION IN-LINE CHANNEL
Size Document Number A
REV 1
Date: January 23, 1991 Sheet of 1



Title	
Size Document Number	1
REV	
R	
Date:	November 11, 1991 Sheet 1 of 1

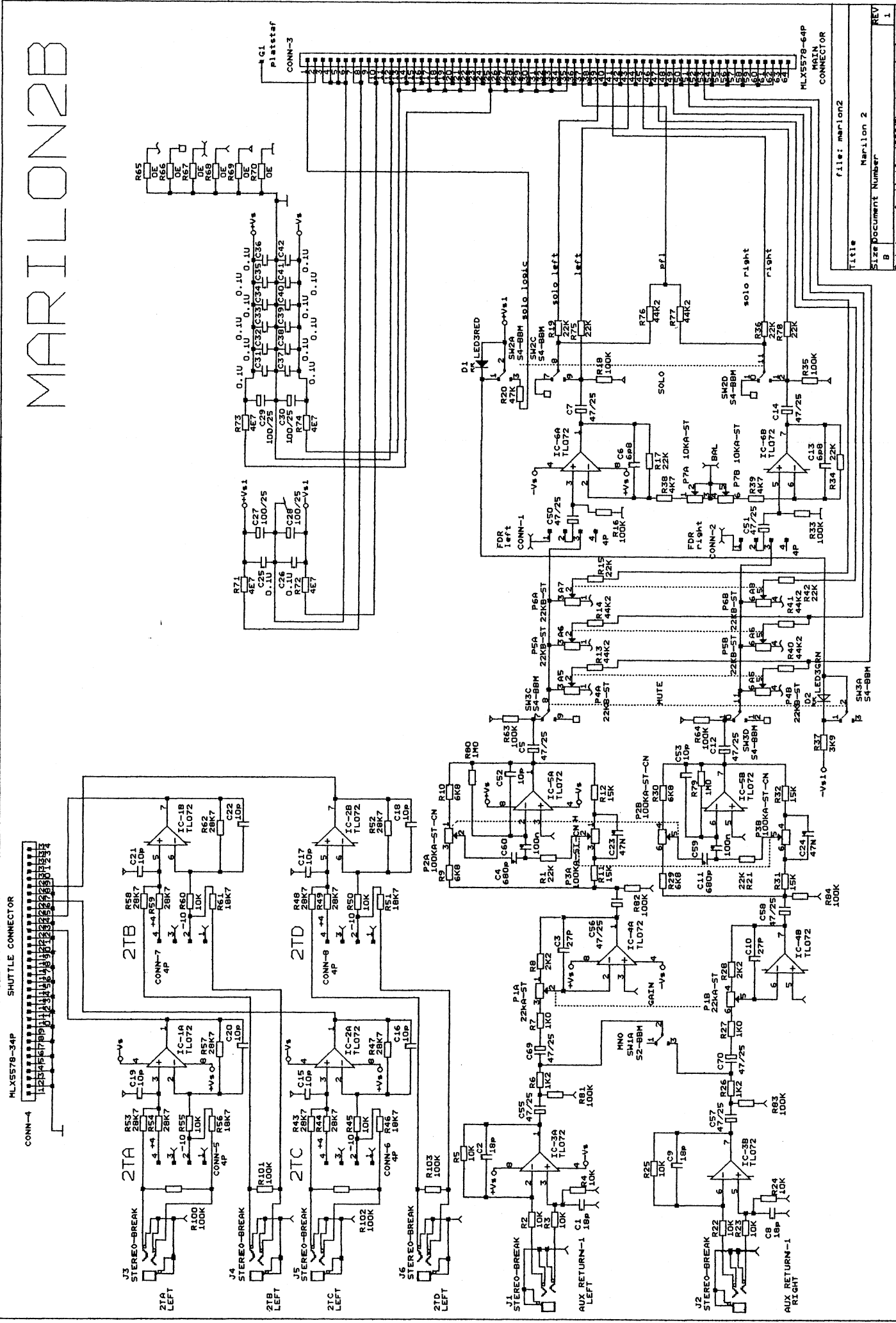


POWER CONNECTIONS (incl. ledbar)
 -V+V1 130 mA routing

FILE: mar101
 DER Electronics b.v.
 Phone (+31) 31 2940 18015 Fax: 16987

DATE: September 29, 1992 Sheet 1 of 1

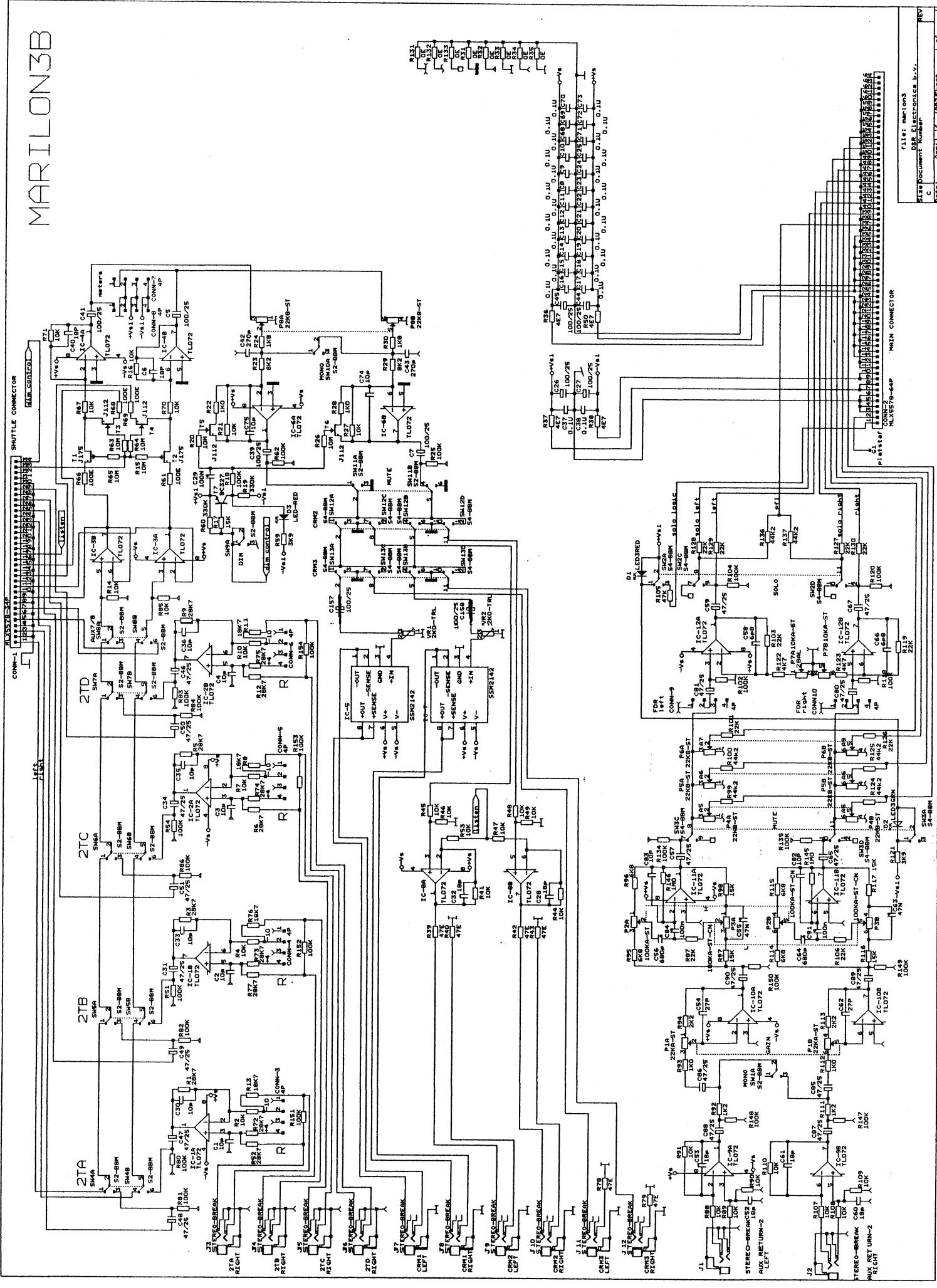
MARILION2B



file: marlion2
 Marlion 2
 Size Document Number
 B
 Date: April 16, 1992 Sheet 1 of 1

REV 1

MARILON3B



FILE: MARILON3B
REV: 1.0
DATE: 12/15/72
DESIGNER: J. J. ...
CHECKER: ...
DRAWN: ...

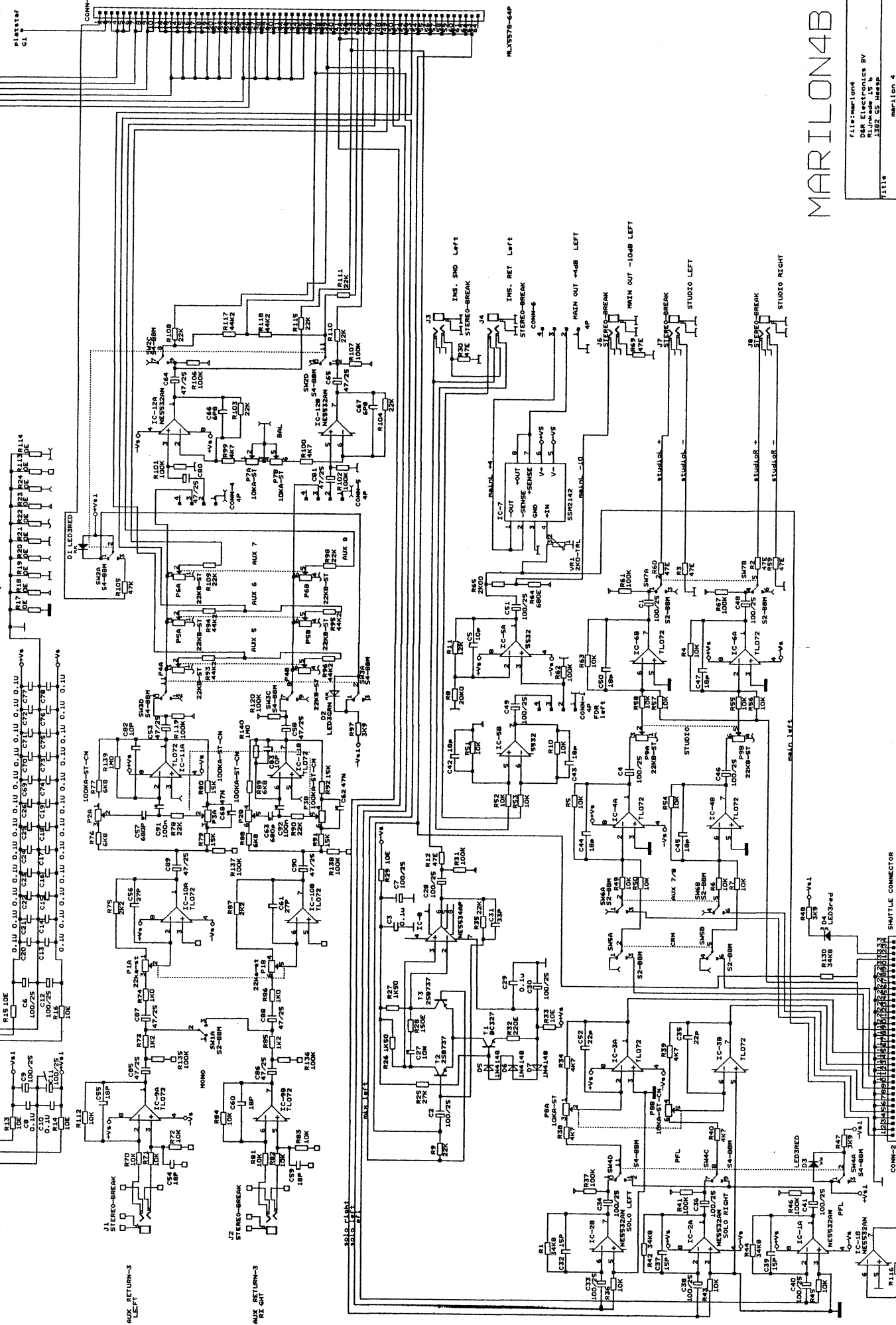
Plattester
G1

CONN-3

MLX5578-41P

MARILON4B

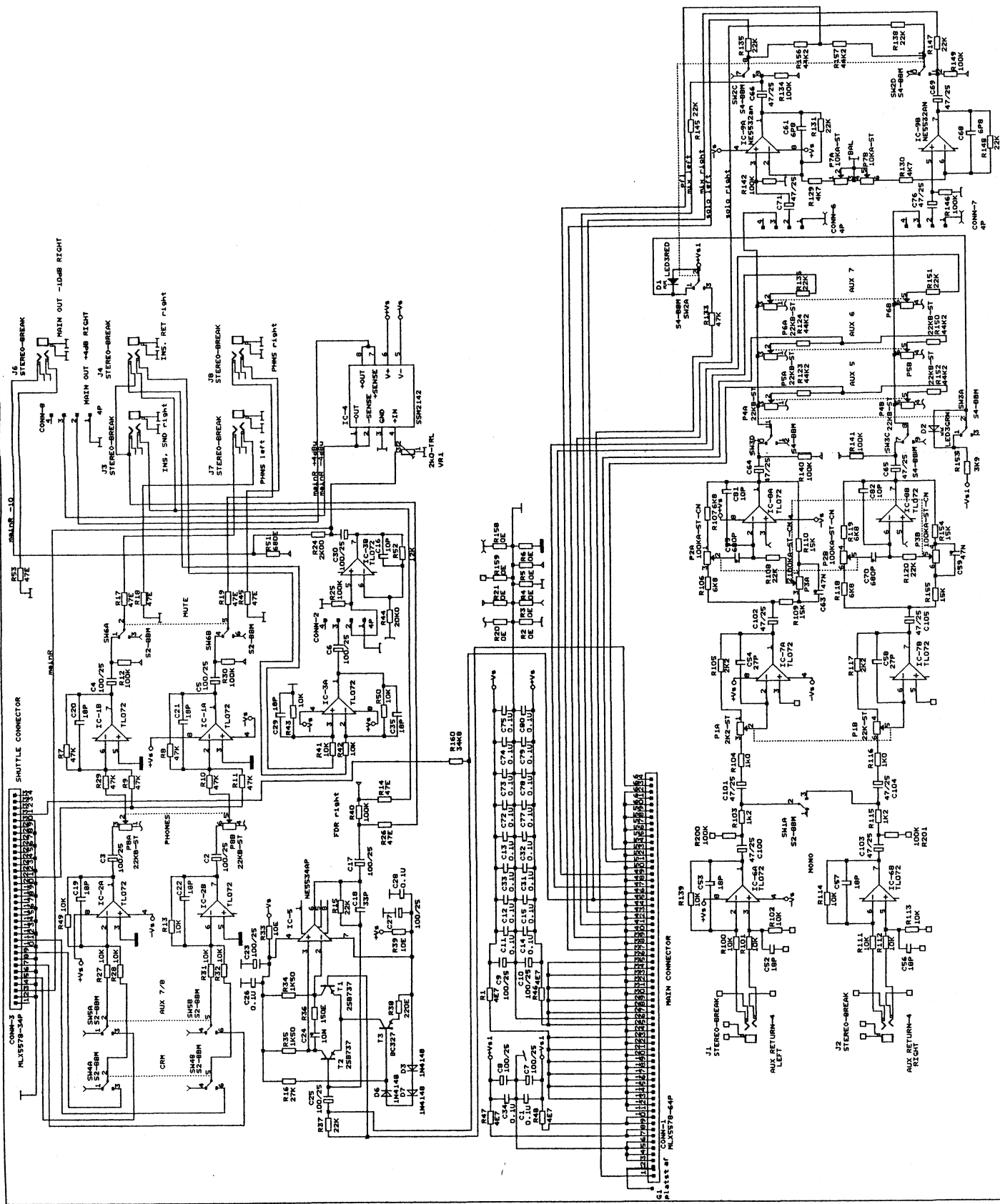
File:marlon4
DBS Electronics BV
Rijnlaan 15 b
1382 GS Hesp
T1314
Size Document Number
marilon 4
REV
C
Date: April 16, 1992 Sheet 1 of 1

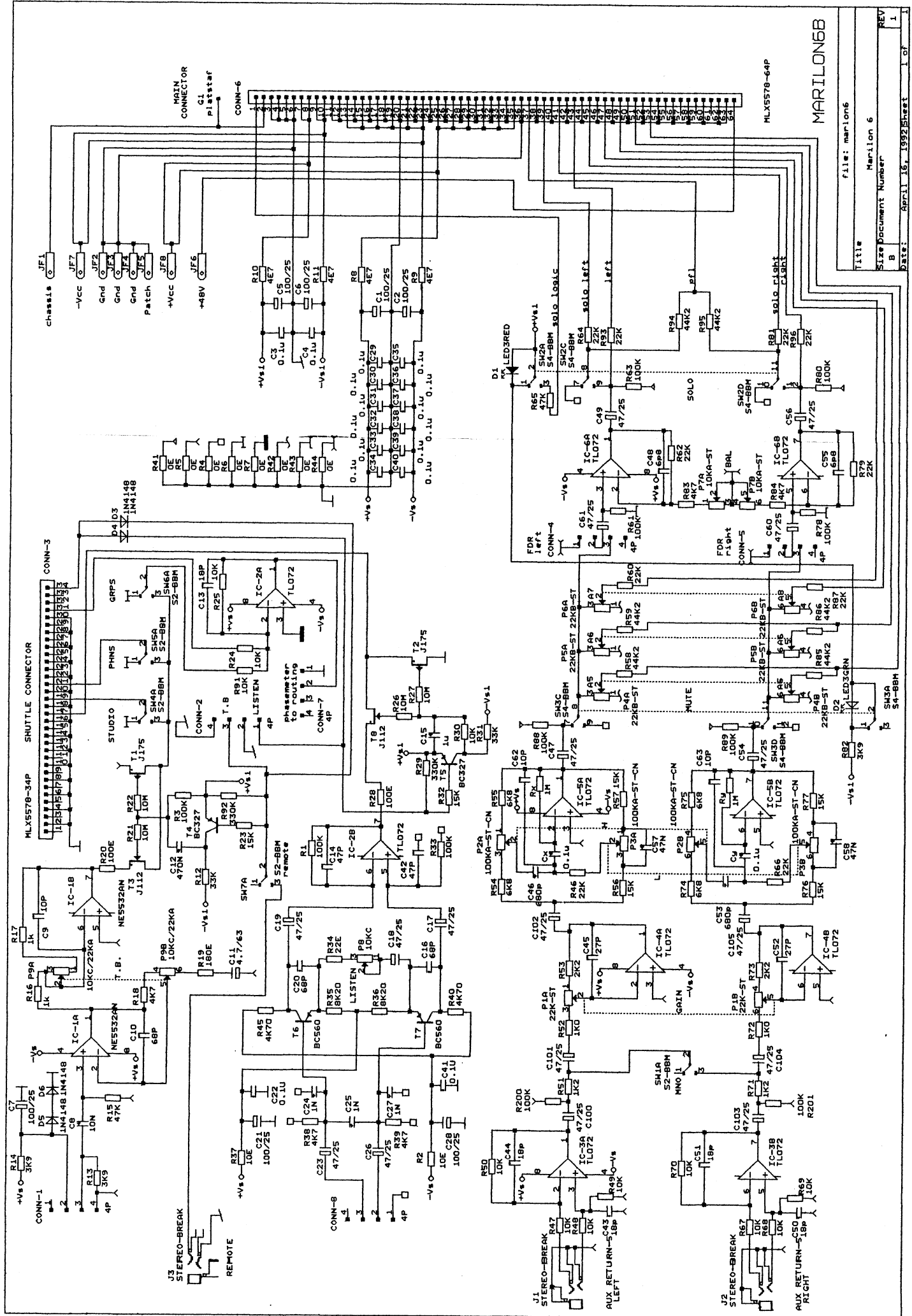


SHUTTLE CONNECTOR

CONN-2 MLX5578-34P

CONN-1 MLX5578-34P





MLX5578-64P

MARILION6B

Title
 Size Document Number
 B
 Date: April 16, 1992 Sheet 1 of 1

file: marlion6

Marilion 6

REV 1

MARILION7B

MLX5578-34P SHUTTLE CONNECTOR

CONN-4

CONN-3

CONN-2

CONN-1

J3 STEREO-BREAK

J2 STEREO-BREAK

J1 STEREO-BREAK

AUX RETURN-6 LEFT

AUX RETURN-6 RIGHT

J2 STEREO-BREAK

J1 STEREO-BREAK

AUX RETURN-6 LEFT

AUX RETURN-6 RIGHT

J2 STEREO-BREAK

J1 STEREO-BREAK

AUX RETURN-6 LEFT

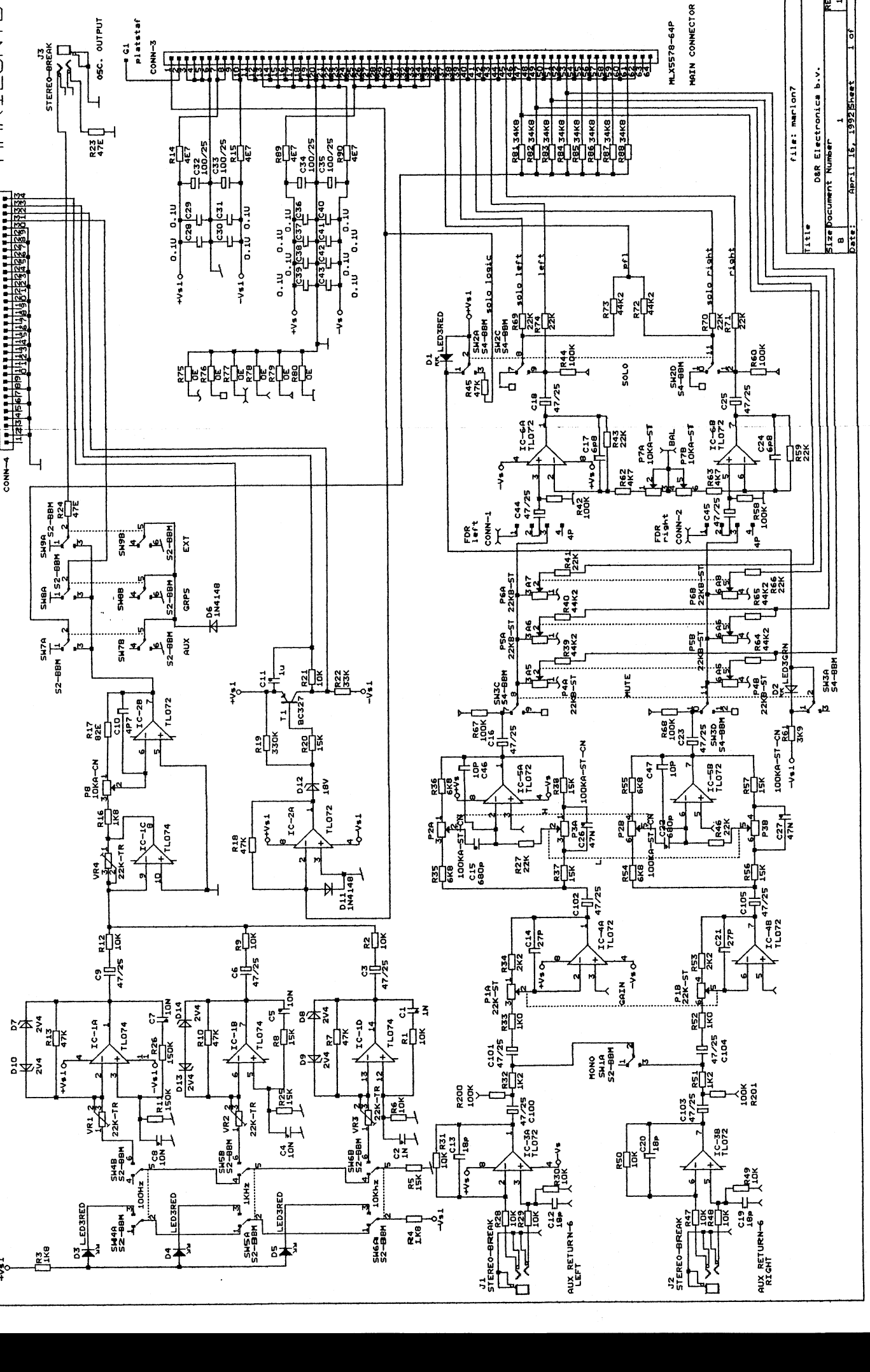
AUX RETURN-6 RIGHT

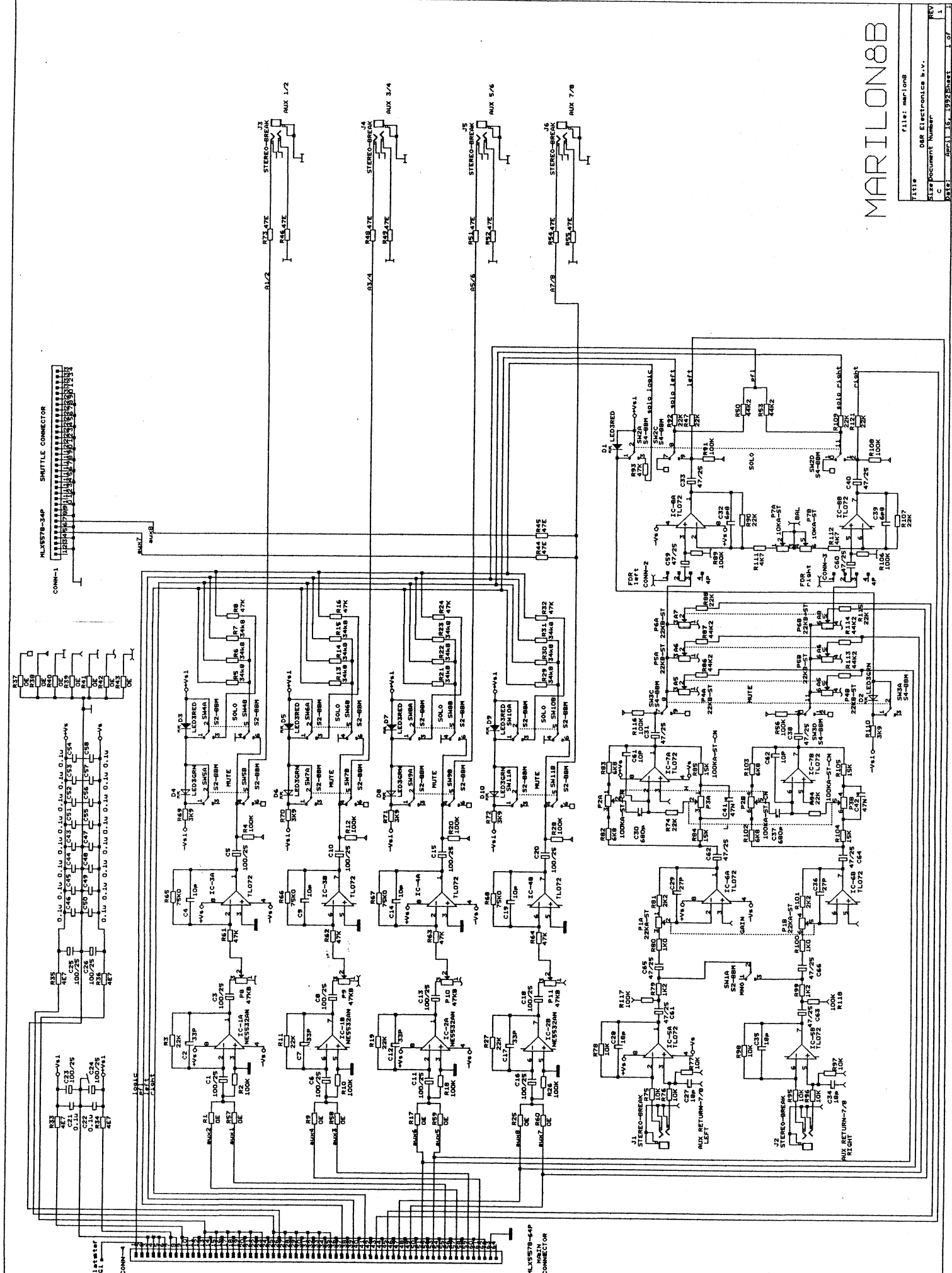
J2 STEREO-BREAK

J1 STEREO-BREAK

AUX RETURN-6 LEFT

AUX RETURN-6 RIGHT



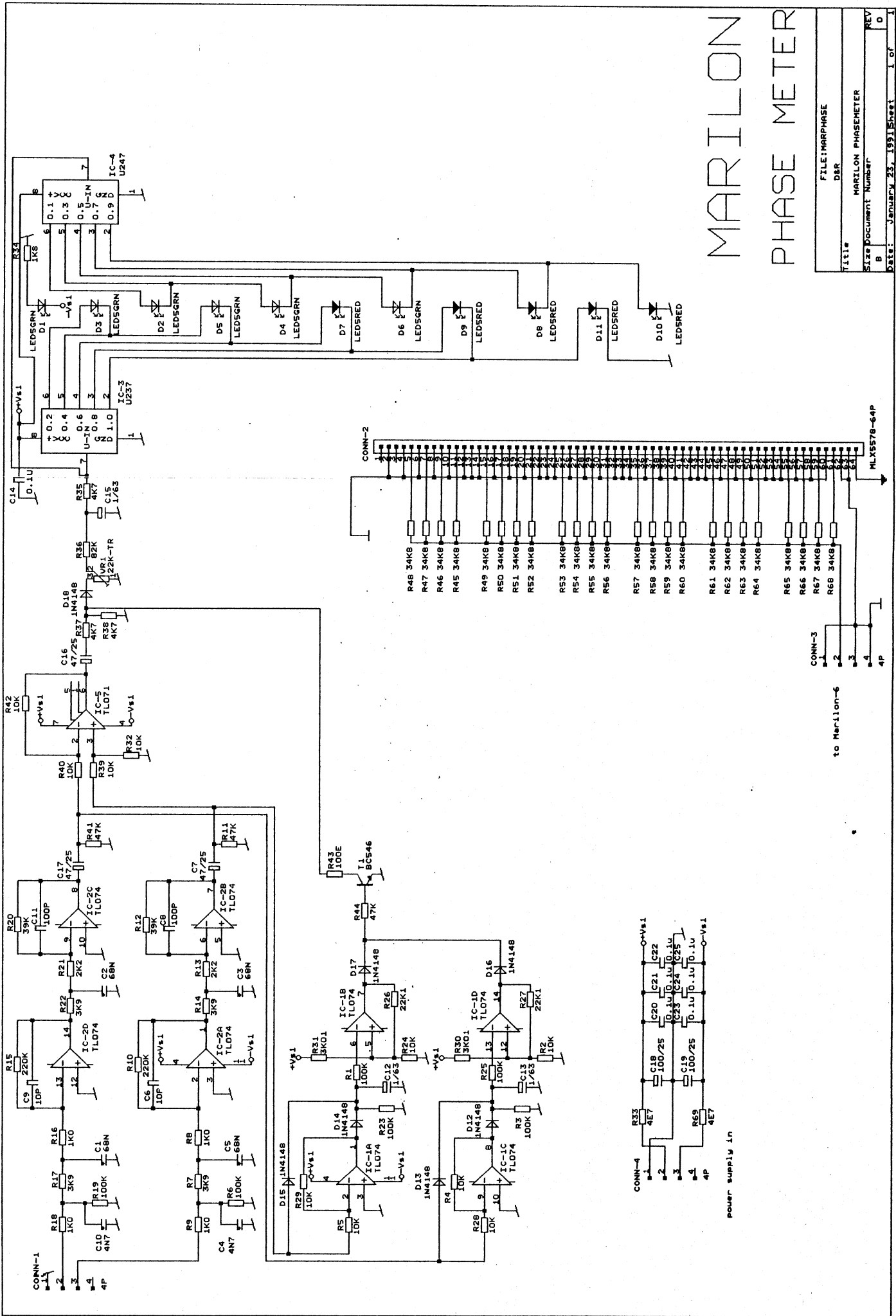


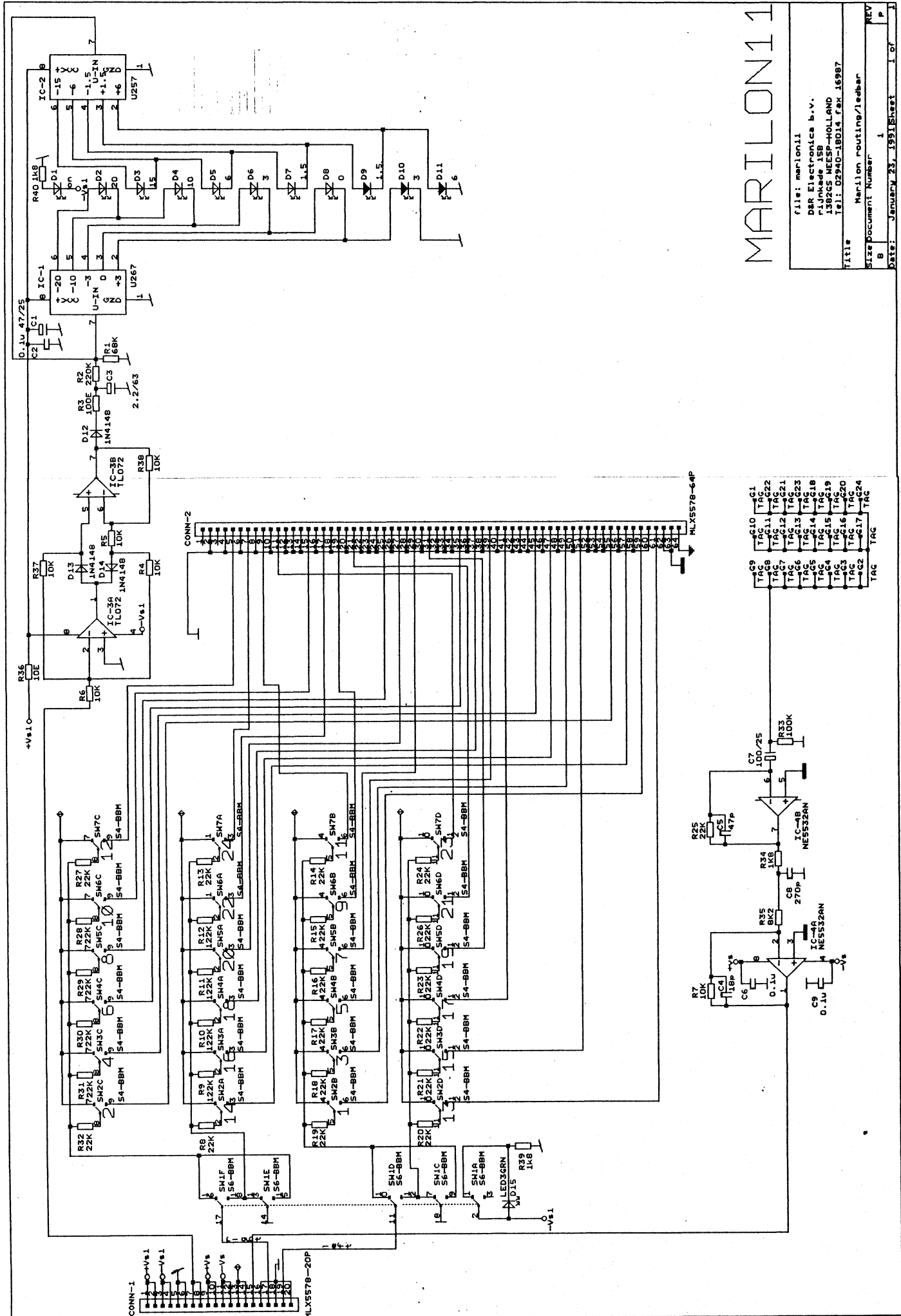
MARILON8B

FILE: MARLON8B
DAB Electronics Inc.
STEP: SHEET NUMBER
C
DATE: APR 15 1992 SHEET 1 OF 1

MARILION PHASE METER

FILE: MARPHASE
D8R
TITLE
MARILION PHASEMETER
SIZE: Document Number
REV
0
DATE: JANUARY 23, 1991 EREV1
I OF 1



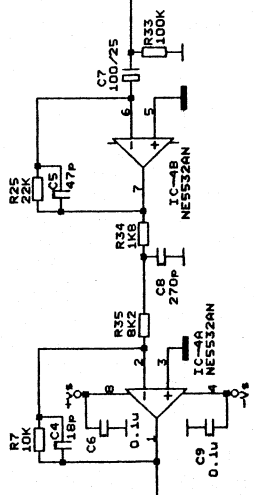


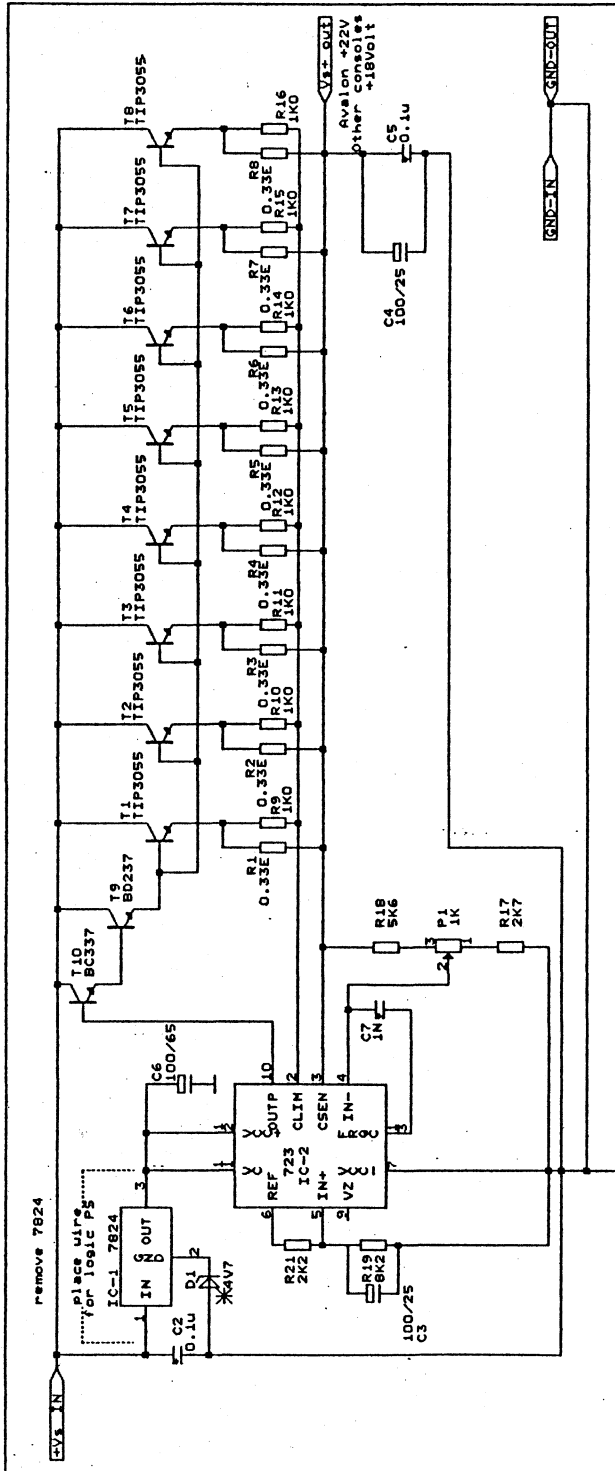
MARILON11

file: marilon11
 DRR Electronics b.v.
 P.J. Meesters 15B
 P.O. Box 1000
 1311 ZG Breda - HOLLAND
 Tel: 02940-18014 fax 16987

Title: Marilon routing/leedbar
 Size: Document Number: 1
 Date: January 23, 1991 Sheet 1 of 1

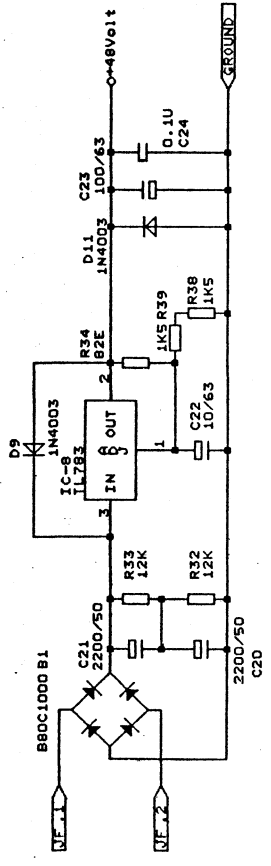
C1	TAG
C2	TAG
C3	TAG
C4	TAG
C5	TAG
C6	TAG
C7	TAG
C8	TAG
C9	TAG
C10	TAG
C11	TAG
C12	TAG
C13	TAG
C14	TAG
C15	TAG
C16	TAG
C17	TAG
C18	TAG
C19	TAG
C20	TAG
C21	TAG
C22	TAG
C23	TAG
C24	TAG
C25	TAG
C26	TAG
C27	TAG
C28	TAG
C29	TAG
C30	TAG
C31	TAG
C32	TAG
C33	TAG
C34	TAG
C35	TAG
C36	TAG
C37	TAG
C38	TAG
C39	TAG
C40	TAG
C41	TAG
C42	TAG
C43	TAG
C44	TAG
C45	TAG
C46	TAG
C47	TAG
C48	TAG
C49	TAG
C50	TAG
C51	TAG
C52	TAG
C53	TAG
C54	TAG
C55	TAG
C56	TAG
C57	TAG
C58	TAG
C59	TAG
C60	TAG
C61	TAG
C62	TAG
C63	TAG
C64	TAG
C65	TAG
C66	TAG
C67	TAG
C68	TAG
C69	TAG
C70	TAG
C71	TAG
C72	TAG
C73	TAG
C74	TAG
C75	TAG
C76	TAG
C77	TAG
C78	TAG
C79	TAG
C80	TAG
C81	TAG
C82	TAG
C83	TAG
C84	TAG
C85	TAG
C86	TAG
C87	TAG
C88	TAG
C89	TAG
C90	TAG
C91	TAG
C92	TAG
C93	TAG
C94	TAG
C95	TAG
C96	TAG
C97	TAG
C98	TAG
C99	TAG
C100	TAG



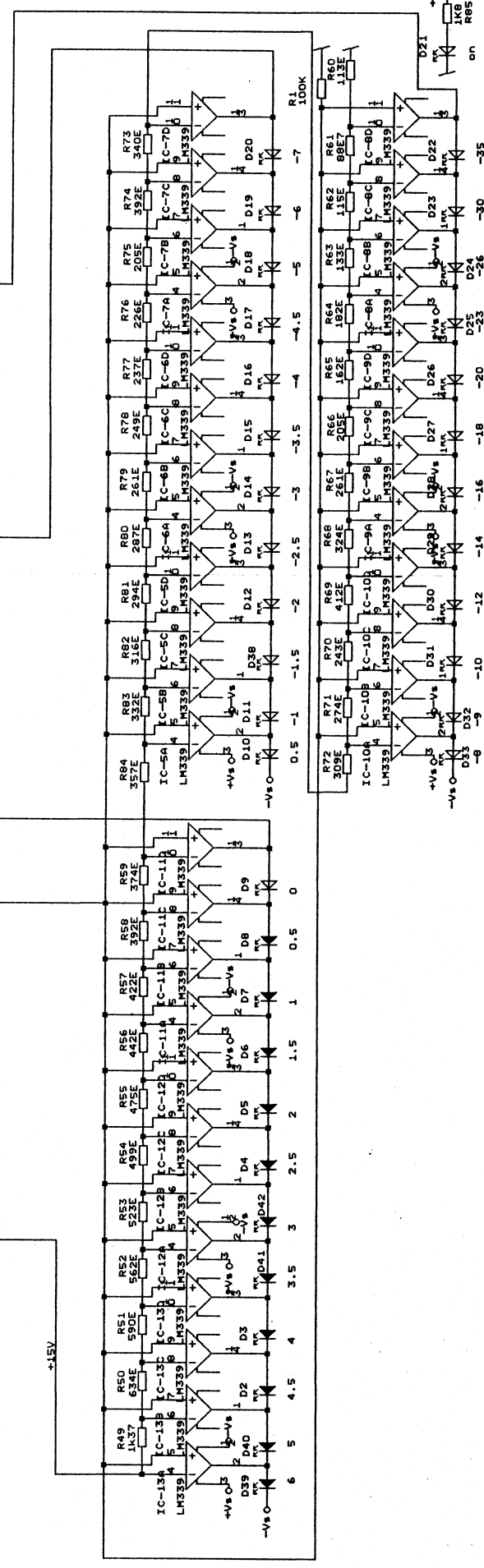
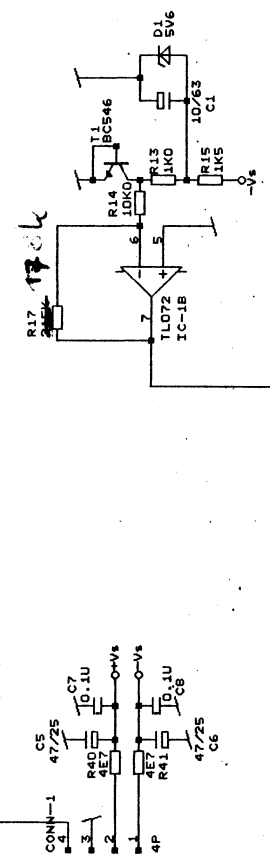
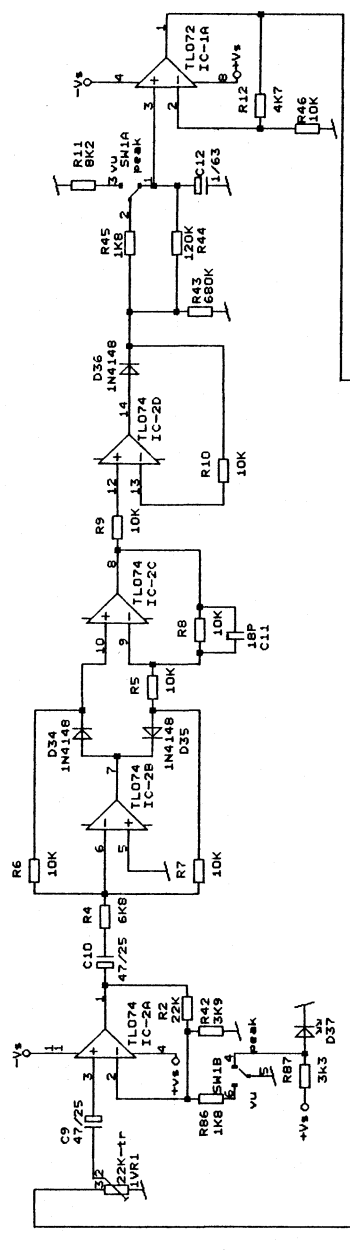


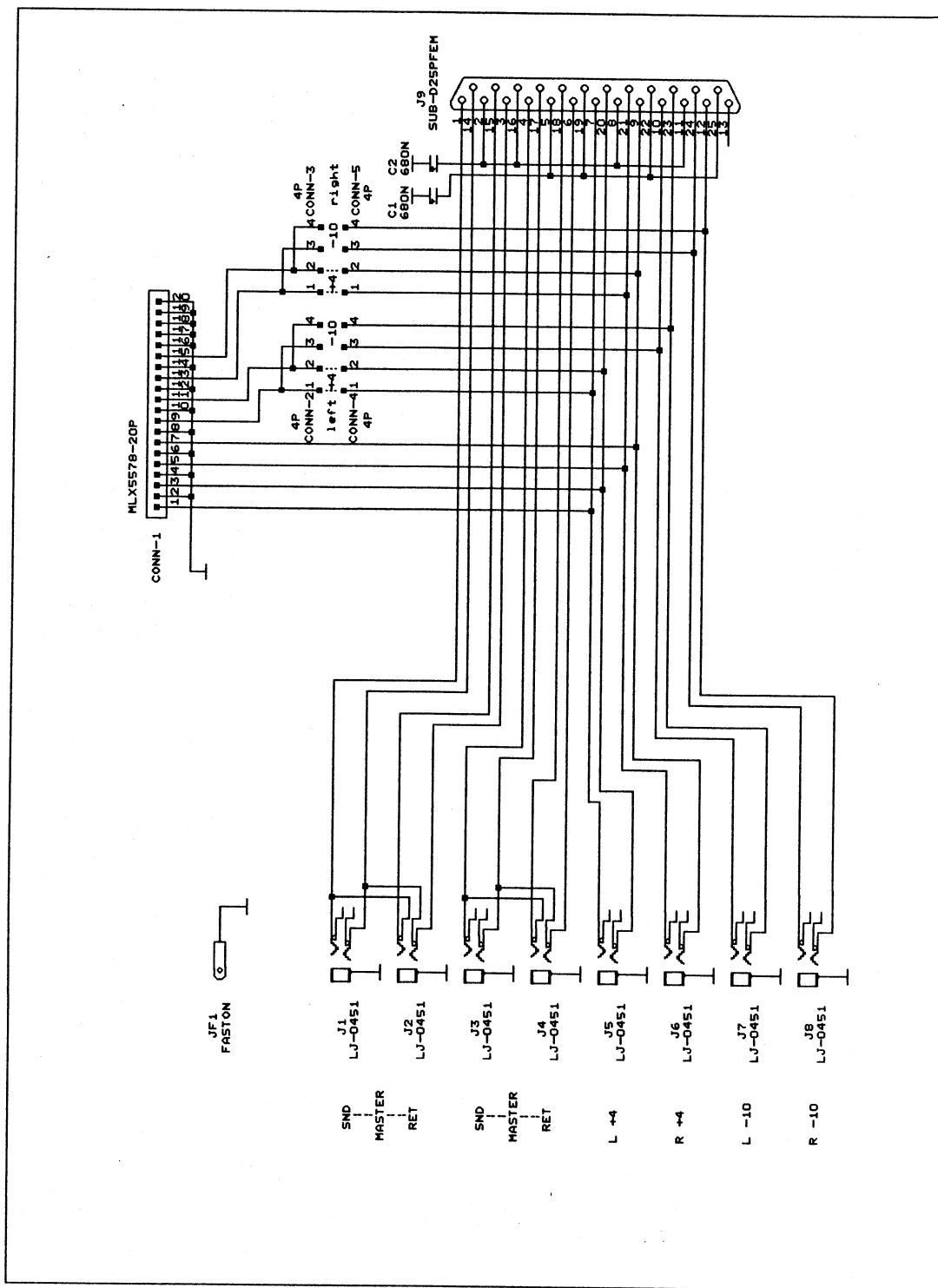
NEGATIVE SUPPLY IDENTICAL TO POSITIVE SUPPLY

* Short diode for Marilion/Triton/Orión/Axion consoles

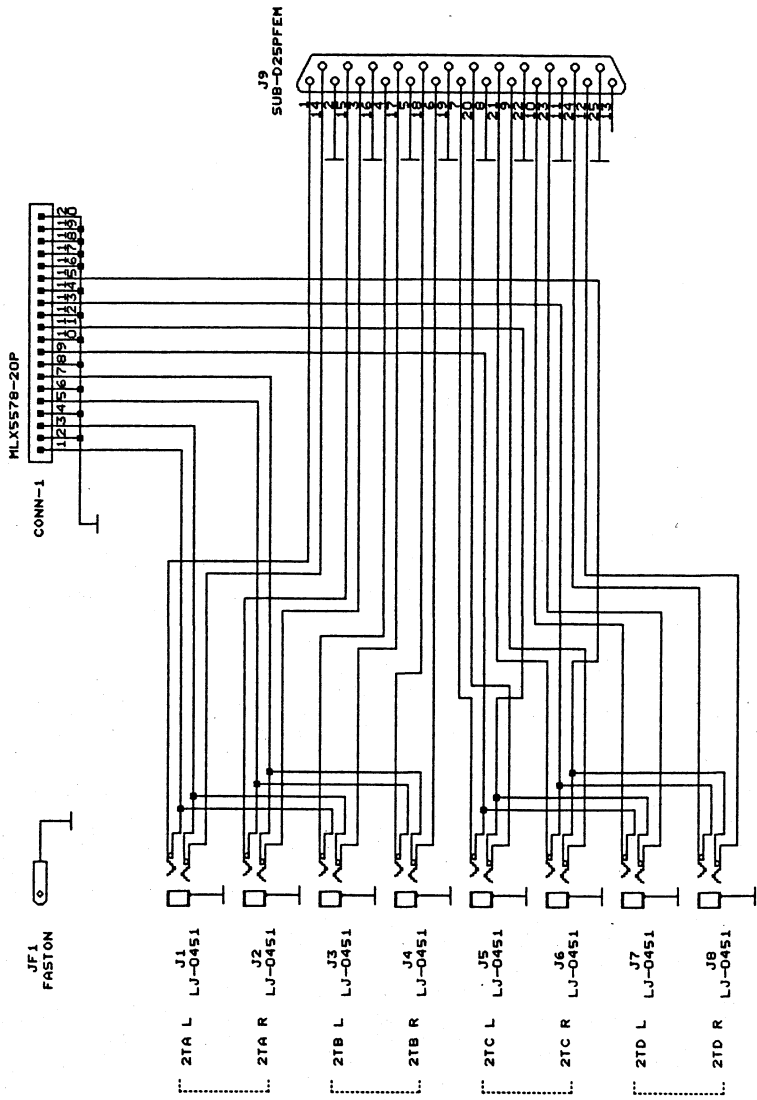


File:	Power
Title:	D&R Electronics b.v.
Size document Number:	Power Supply regulator boards
REV:	A
Date:	February 18, 1992 Sheet





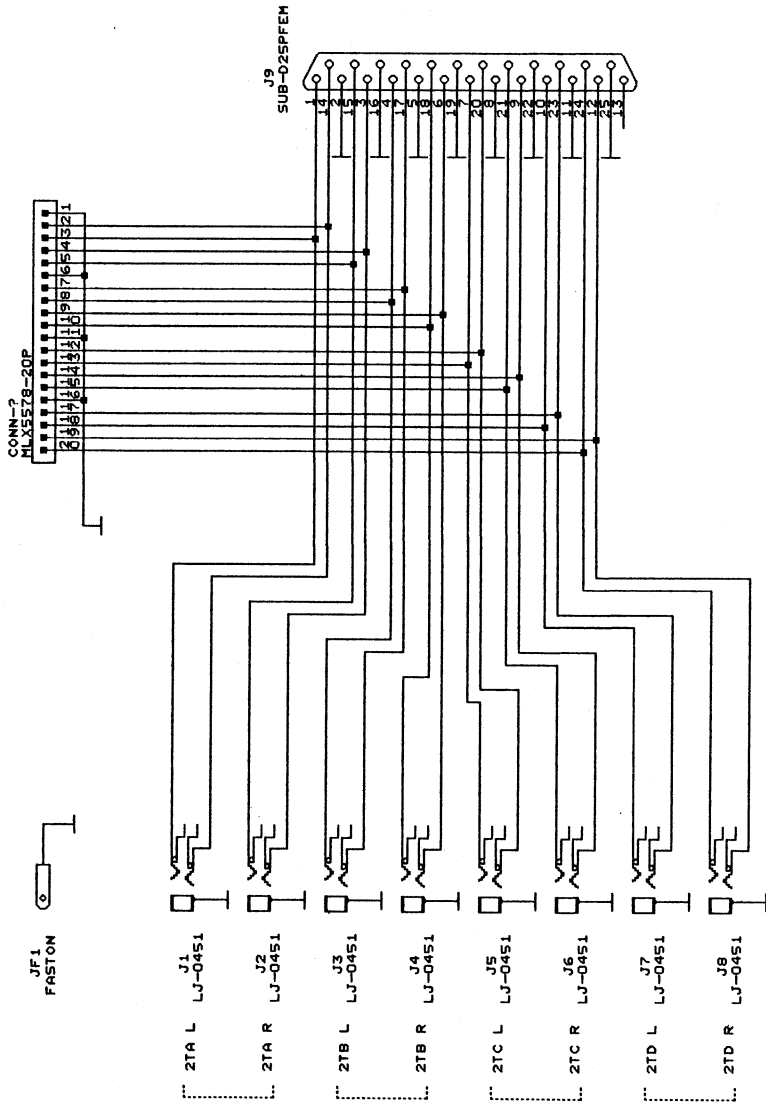
Title		file: marpat4
Size		MASTERPATCH A MARILON
REV	Document Number	A
1	REV	1
Date: September 11, 1990		Sheet 1 of 1



2 TRACK INPUTS

file: marpat5	
Title	MASTERPATCH B MARILON
Size	Document Number
REV	A
Date	September 11, 1950
Sheet	1 of 1

To Marilon masterpatch D

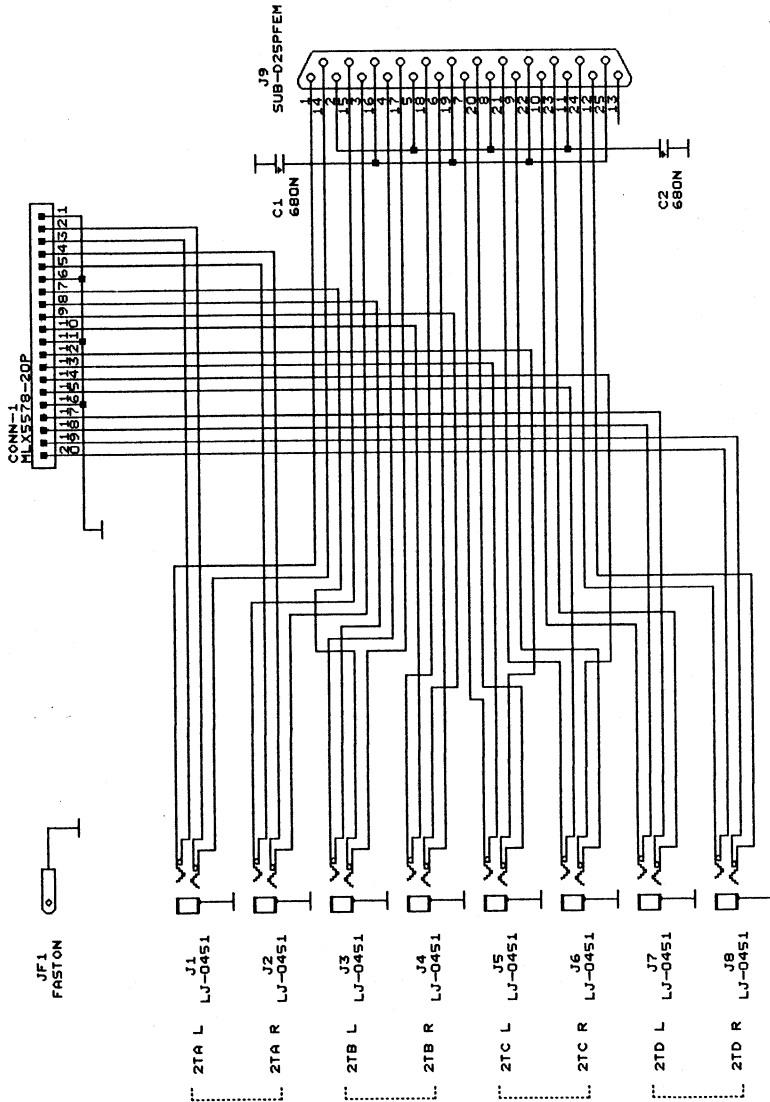


2 FRONT OF SHEET

MARPAT6

file: marpat6
Title
MASTERPATCH C MARILON
Size
Document Number
A
REV
1
Date: January 4, 1991
Sheet 1 of 1

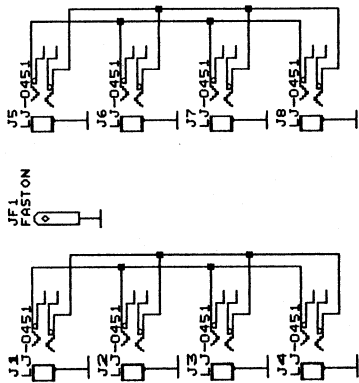
To Marlon patch C



CRM INPTS

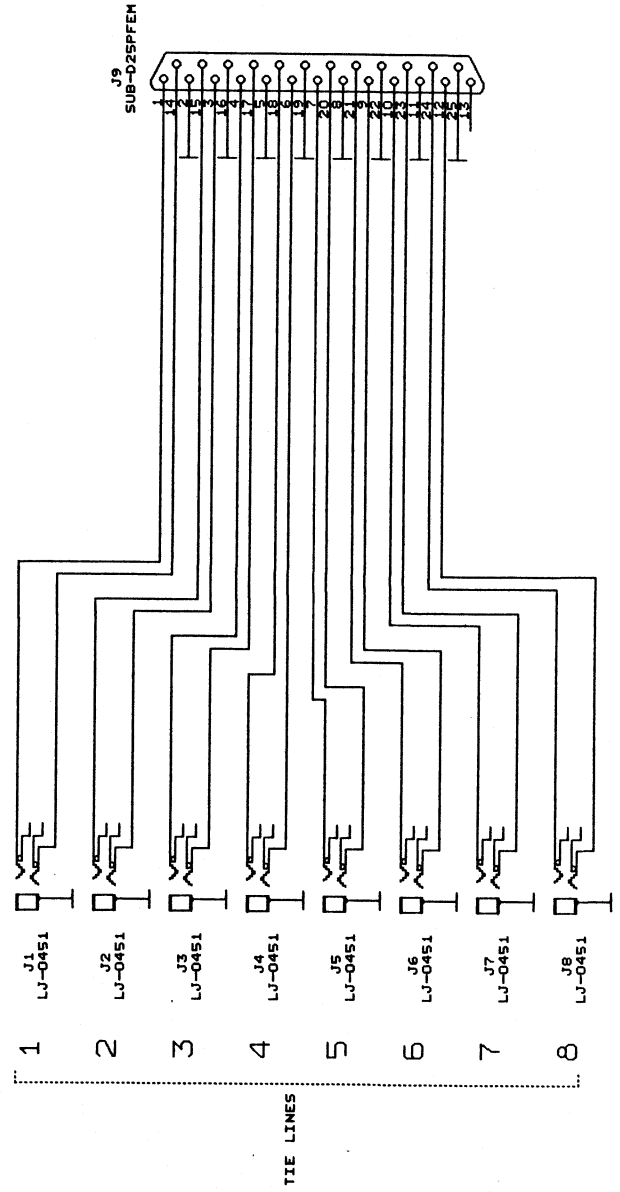
MARPAT7

file: marpat7
Title MASTERPATCH D MARILOM
Size Document Number
REV A
Date: January 4, 1991 Sheet 1 of 1



MARPAT8

file: marpat8
Title D&R Electronics b.v.
Size A
Document Number 1
REV REV
Date: January 23, 1991
Sheet 1 of 1



file: marpat3
Title
TIE LINE PCB MARILON
Size Document Number
A
REV
1
Date: September 11, 1990 Sheet
1 of 1