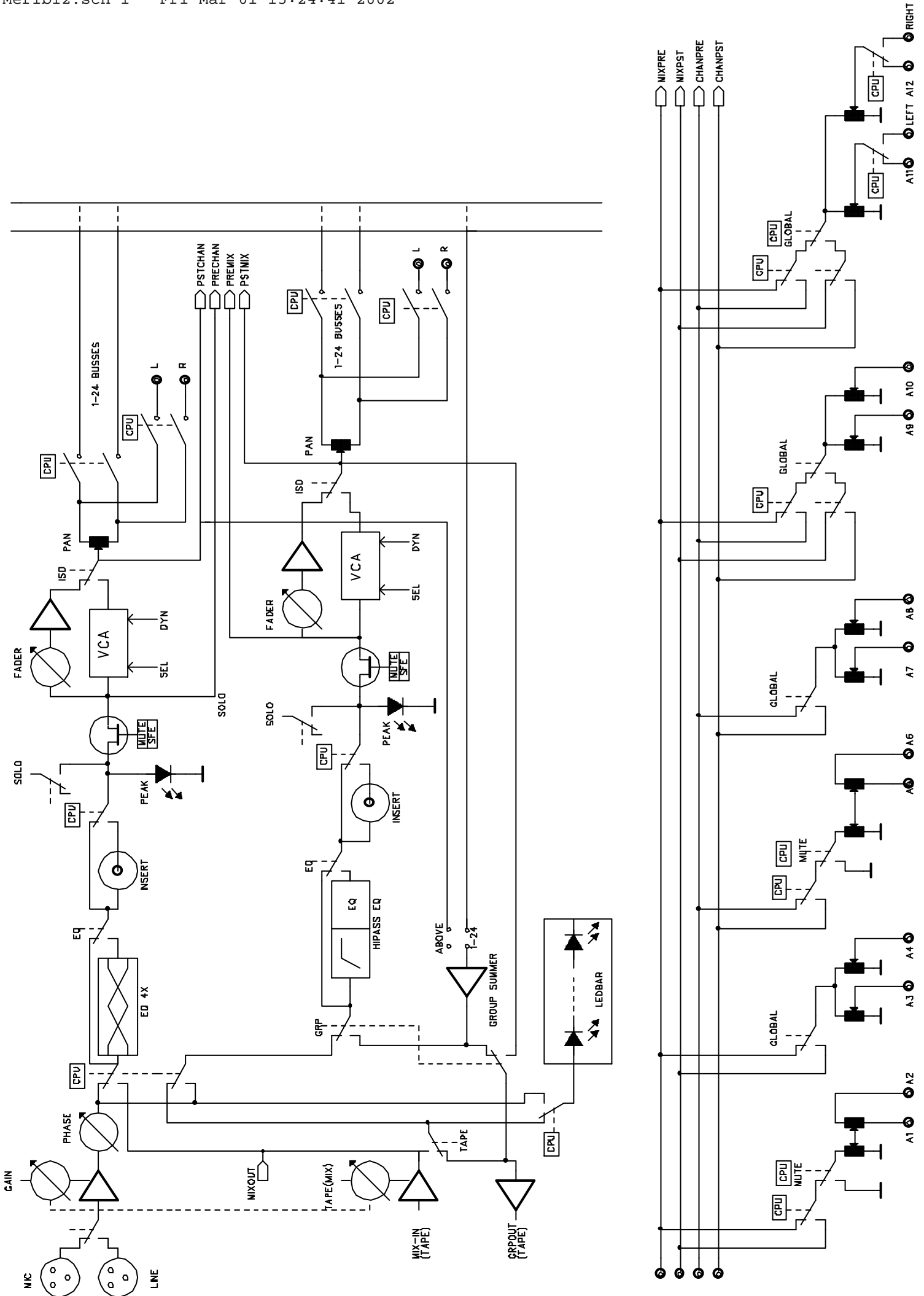
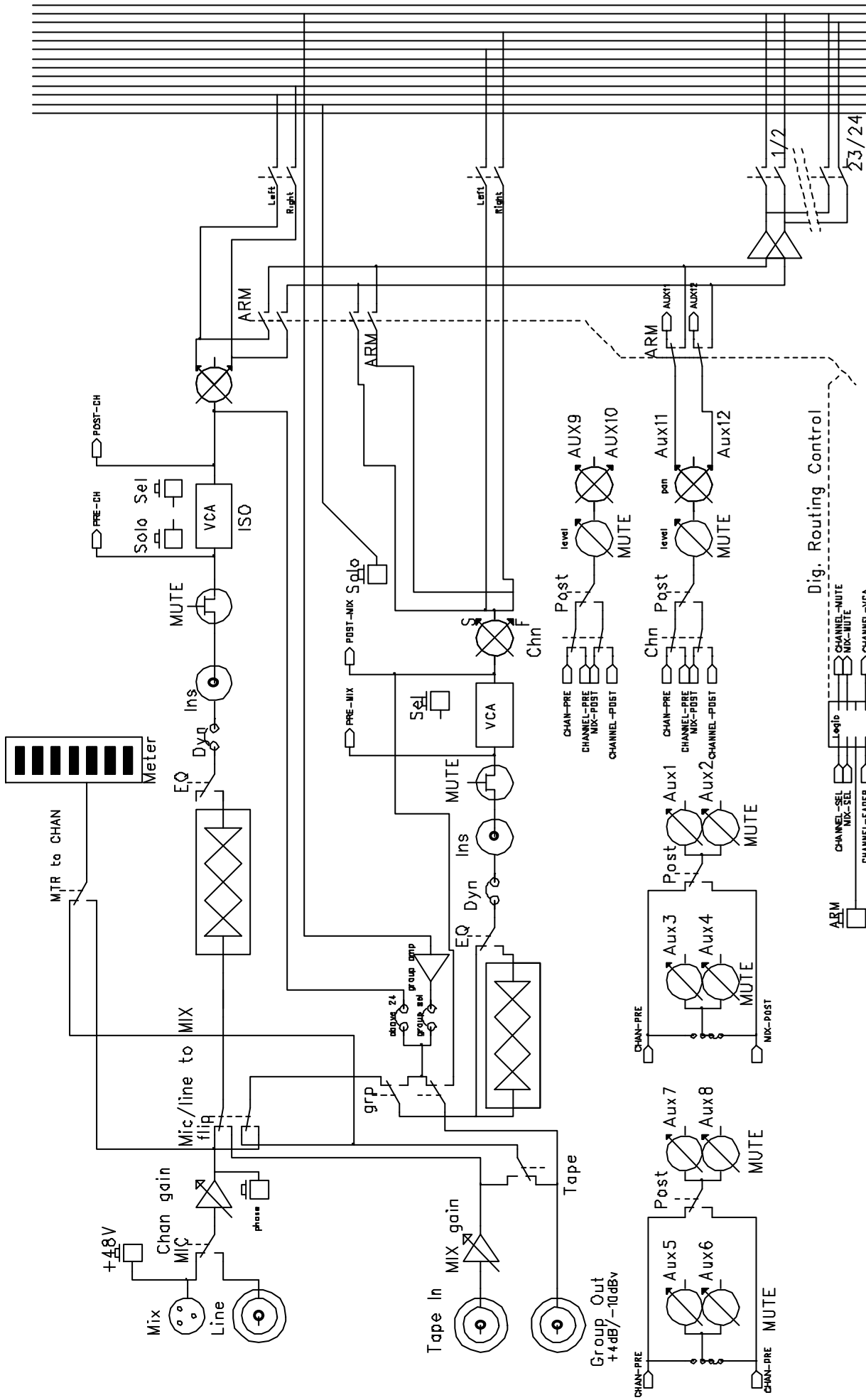



MERLIN

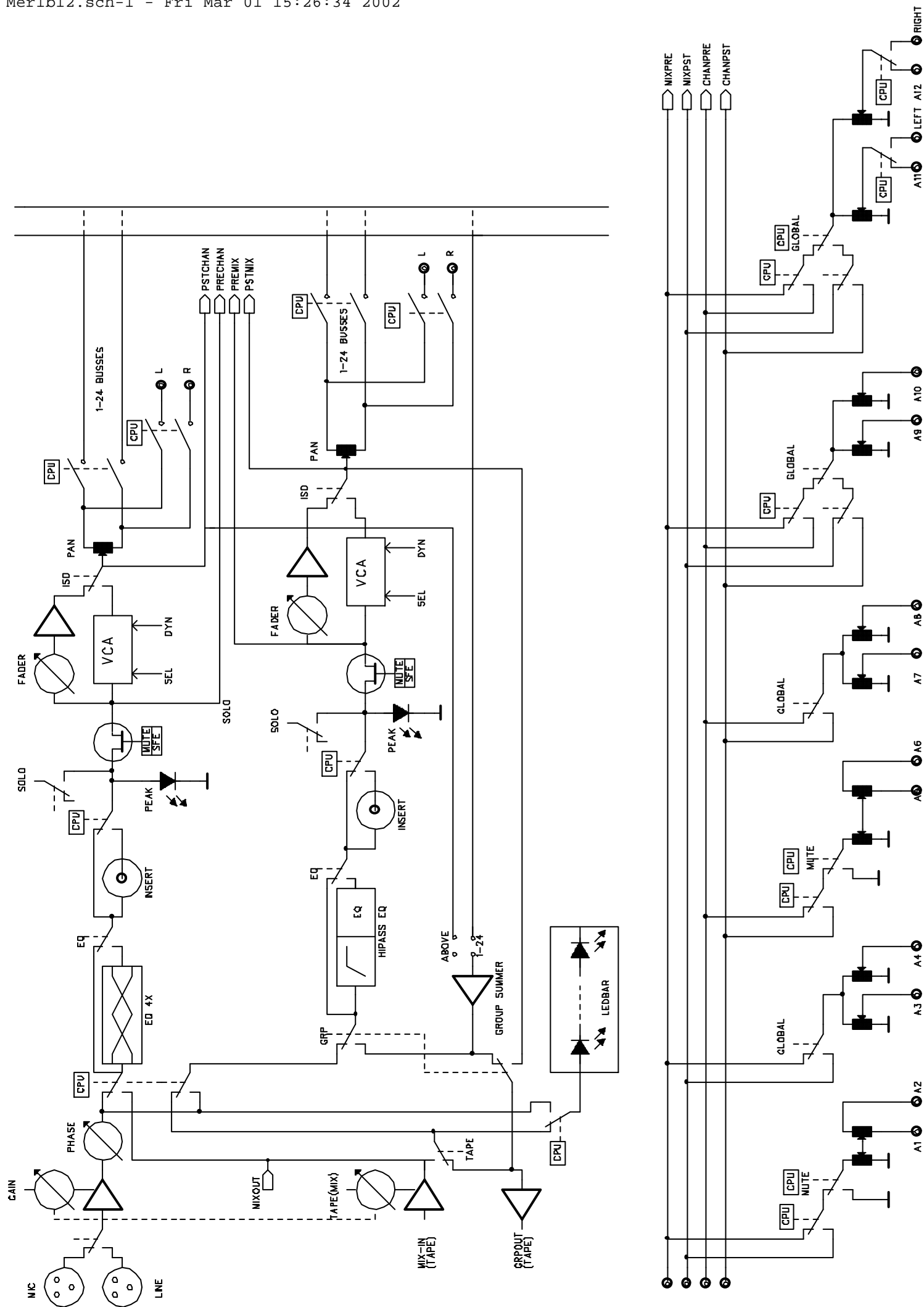
SERVICE MANUAL

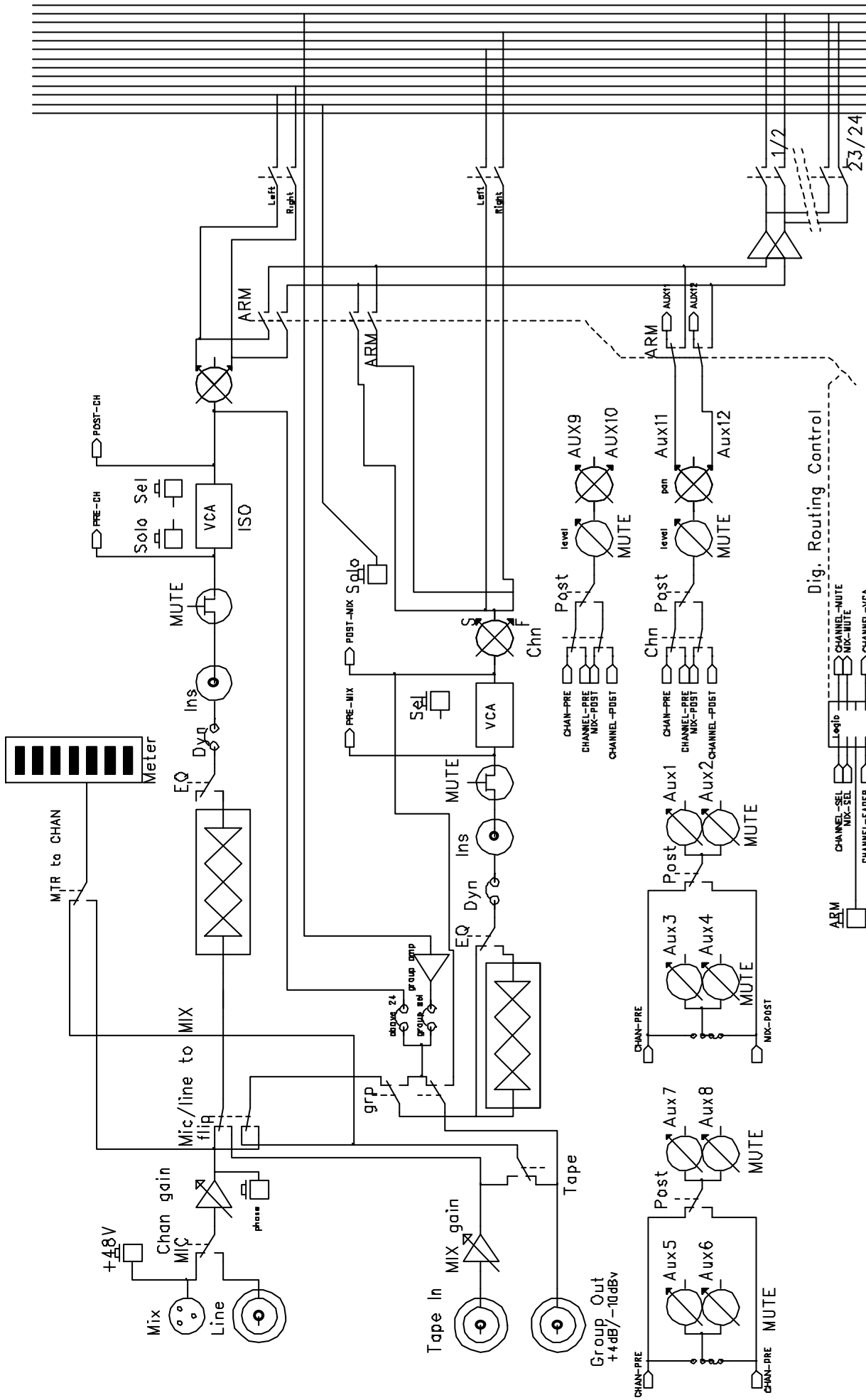
The logo consists of the letters 'D', 'N', and 'R' in a bold, black, sans-serif font. The 'D' and 'R' are large and solid. The 'N' is smaller and positioned between the 'D' and 'R', with its top and bottom bars overlapping the vertical stems of the 'D' and 'R' respectively.




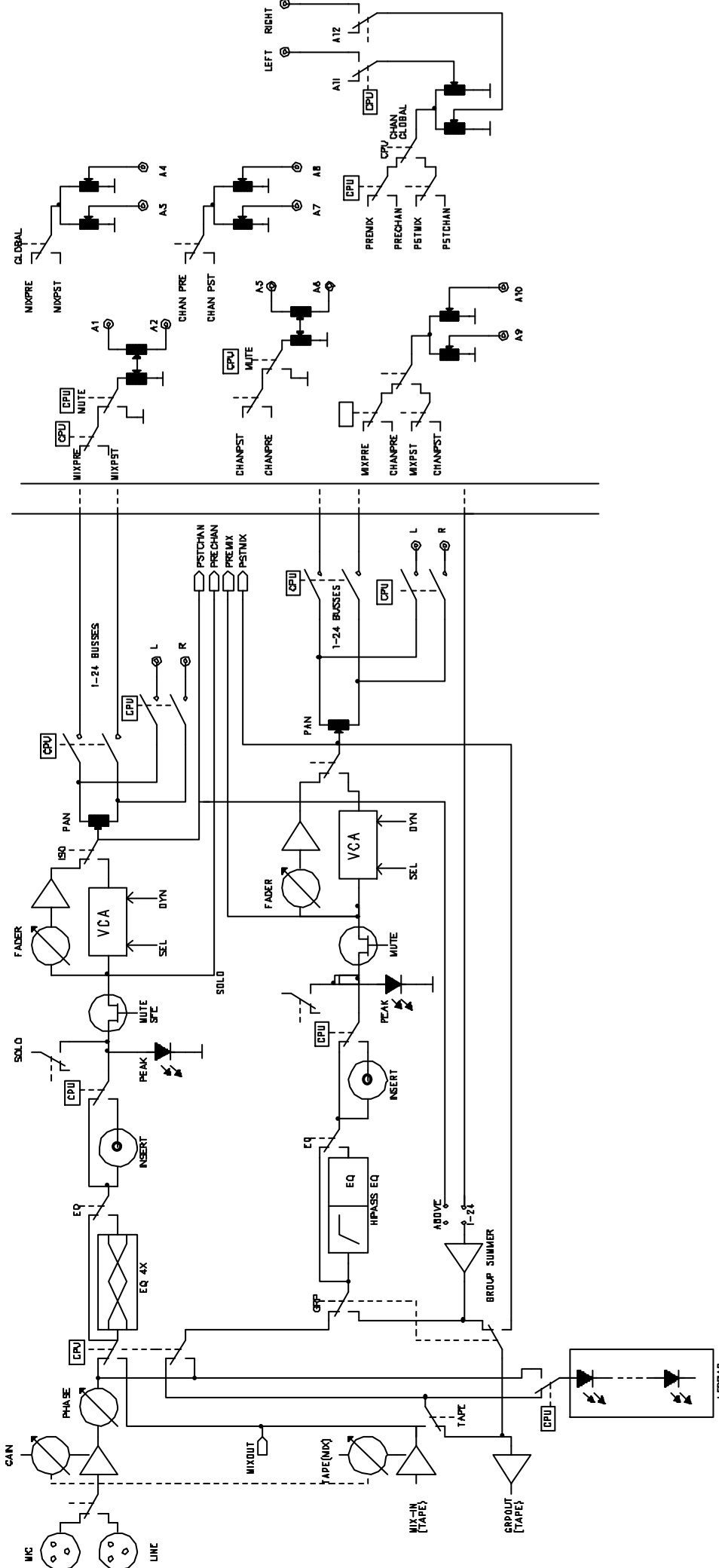


		Project: MERLINCH Title: BLOCKDIAGRAM File: MERLINMS Date: MAY 1998 Sheet: 1 of 1
Rijnkade 15b 1382 GS Weesp The Netherlands phone: 0294-418014 fax: 0294-416987		Rev P Design: DUCO DE RIJK



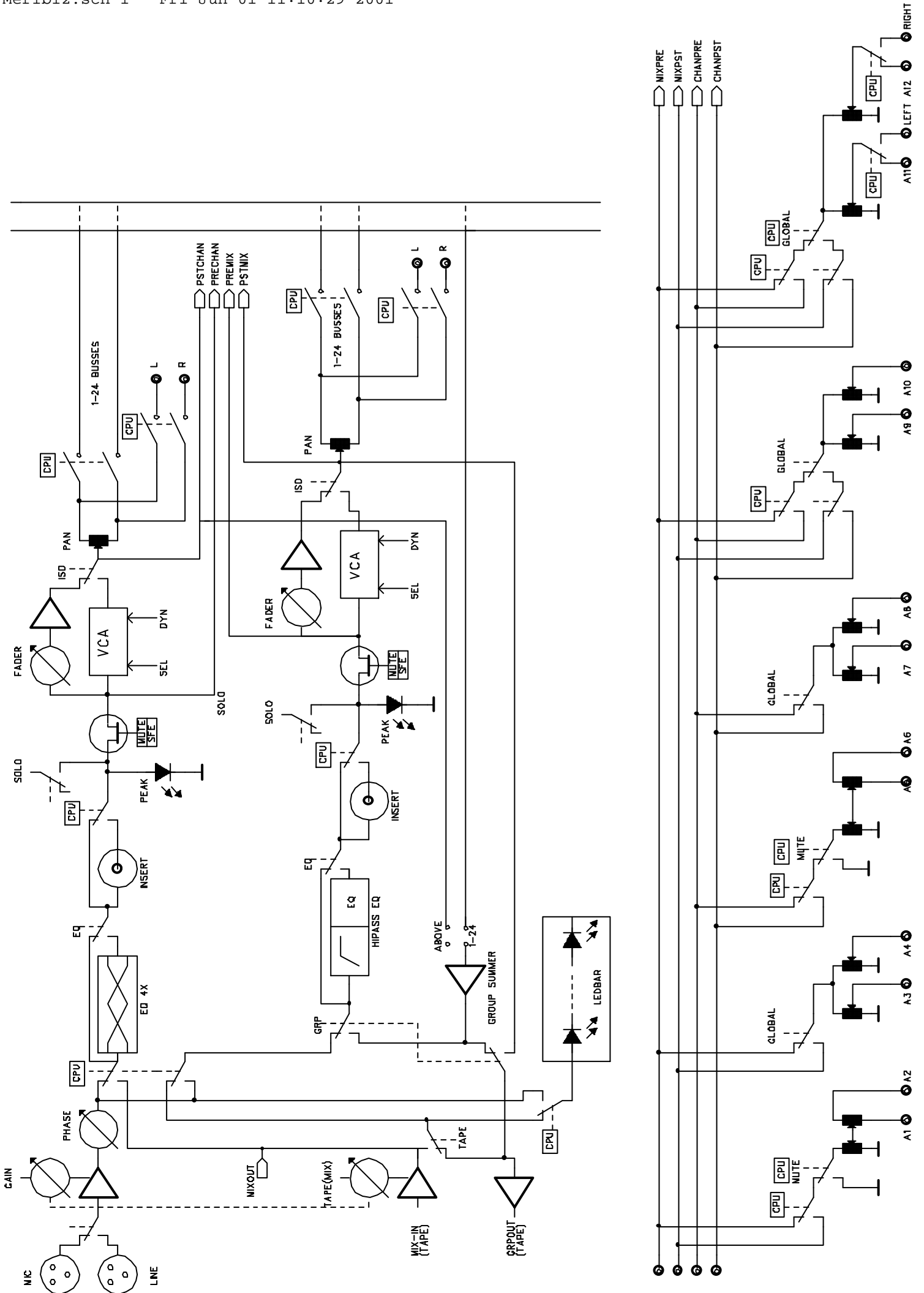


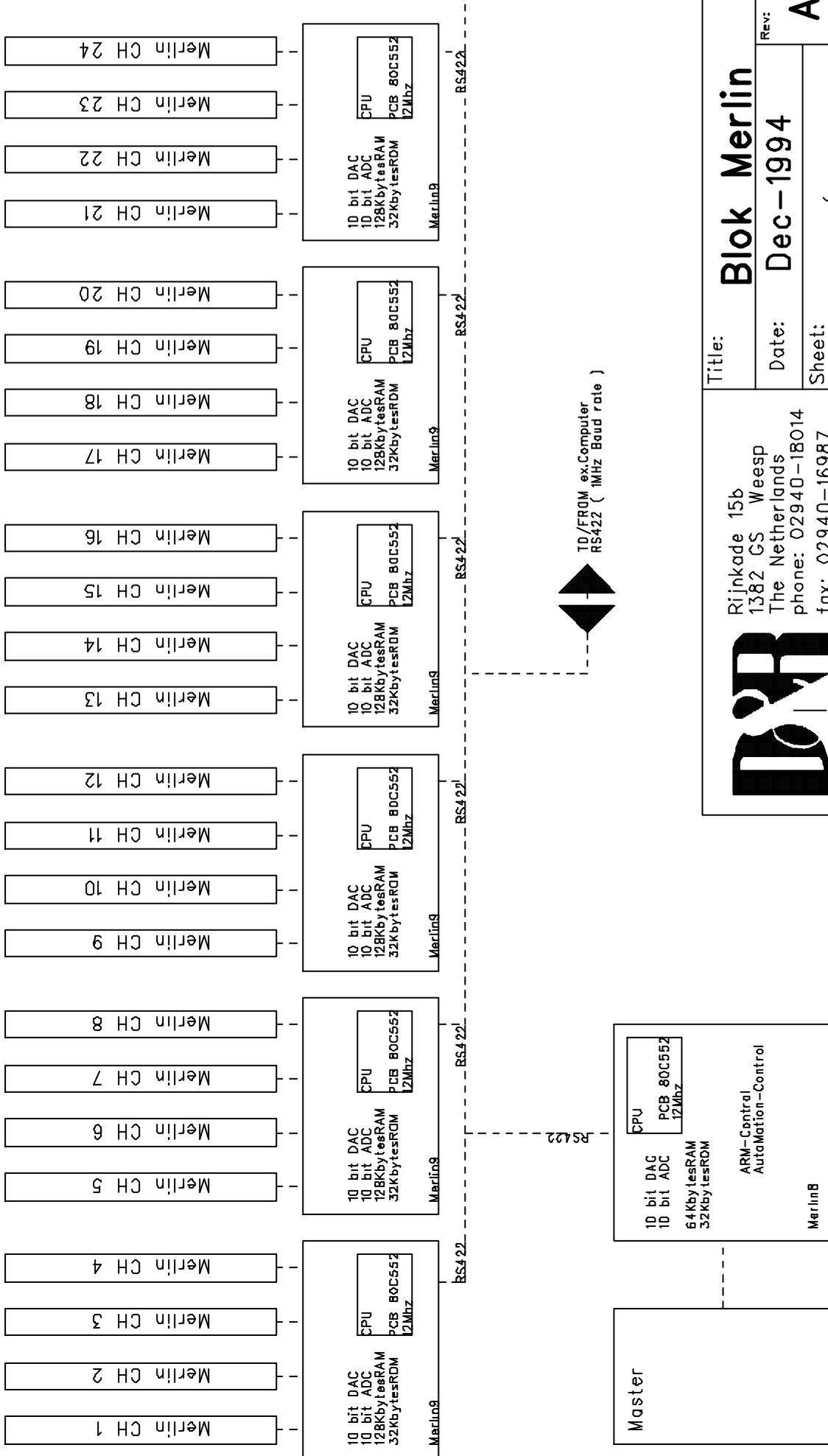
		Project: MERLINCH Title: BLOCKDIAGRAM File: MERLINMS Date: MAY 1998 Sheet: 1 of 1
Rijnkade 15b 1382 GS Weesp The Netherlands phone: 0294-418014 fax: 0294-416987		Rev P Design: DUCO DE RIJK



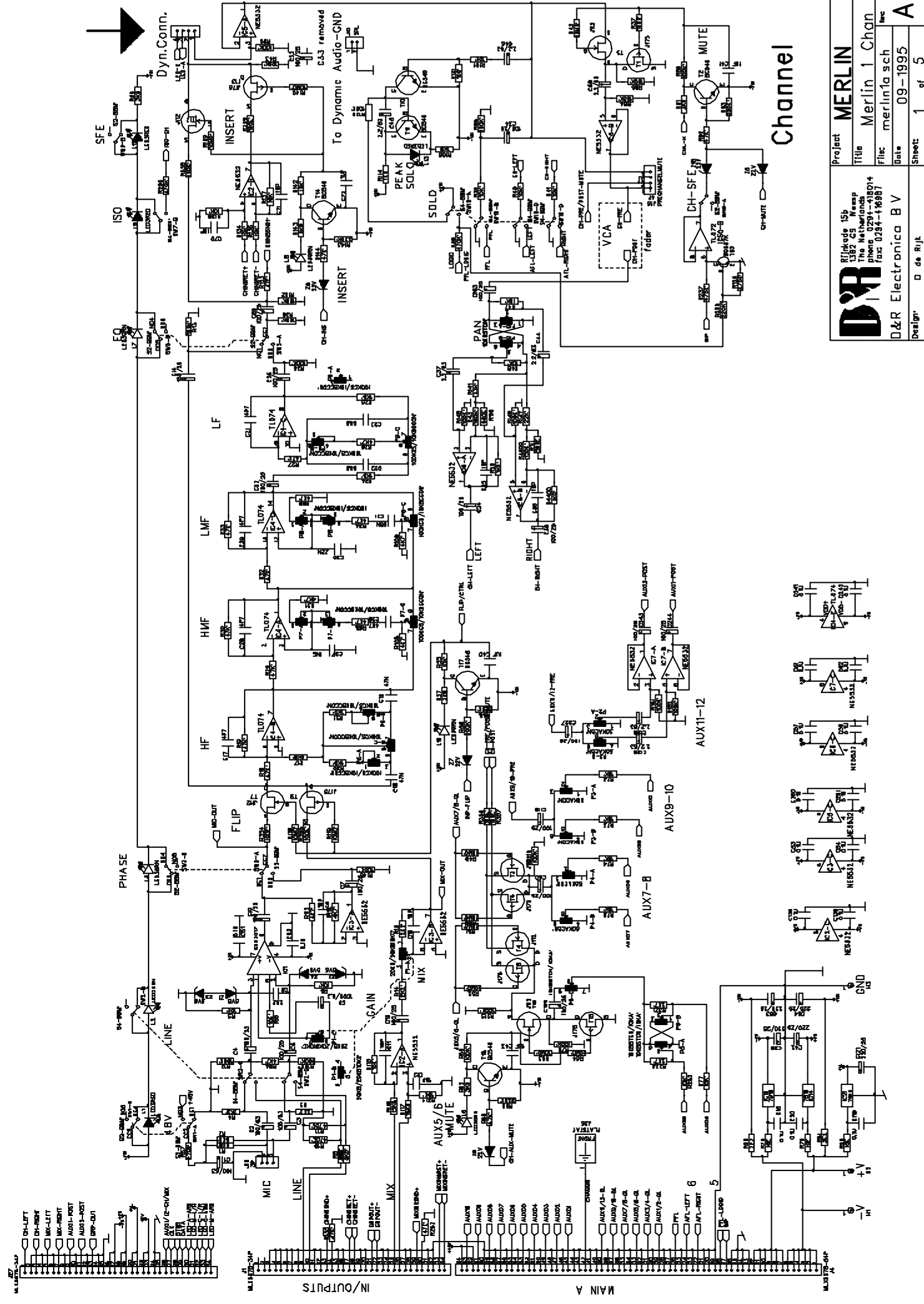
Title*	
Date: ---1994	Rev. A
Sheet: 1	of 1
Design*	

D&R
 Rijnkade 15b
 1382 GS Waasp
 The Netherlands
 phone: 02940-18014
 fax: 02940-16987
D&R Electronica B.V.





<p>D&R</p> <p>D&R Electronica B.V.</p> <p>Rijnkade 15b 1382 GS Weesp The Netherlands phone: 02940-18014 fax: 02940-16987</p>		<p>Title: Blok Merlin</p> <p>Date: Dec-1994</p> <p>Sheet: _____ of _____</p> <p>Design: J Betten</p>
		<p>Rev: A</p>



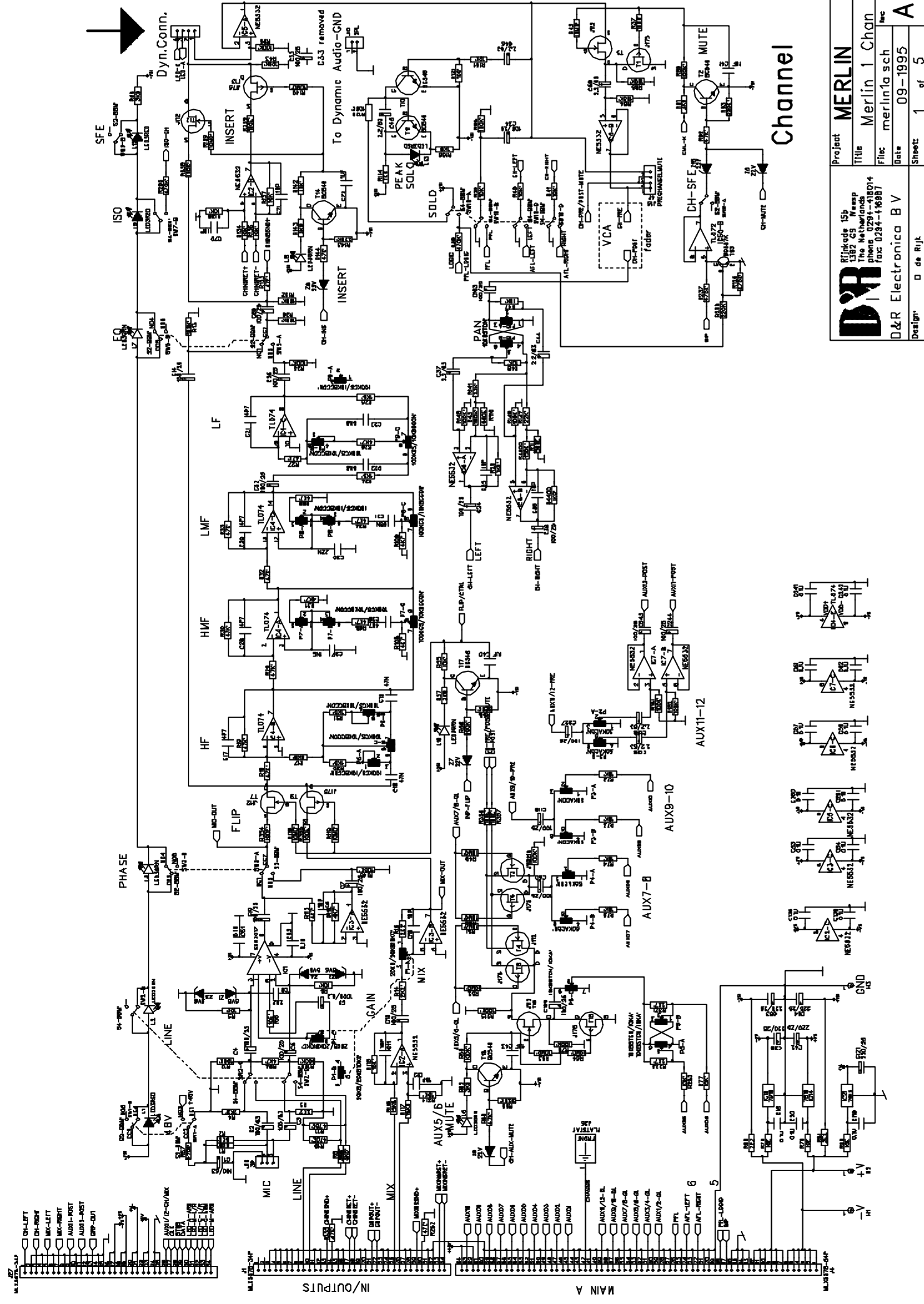
Channel

Project	MERLIN
Title	Merlin 1 Chan
File	merlin1a.sch
Date	09-1995
Sheet	1 of 5



Rijnkade 15b
1382 GS Weesp
The Netherlands
Phone: 0204-148014
fax: 0204-148017

Designer: D de Ruij



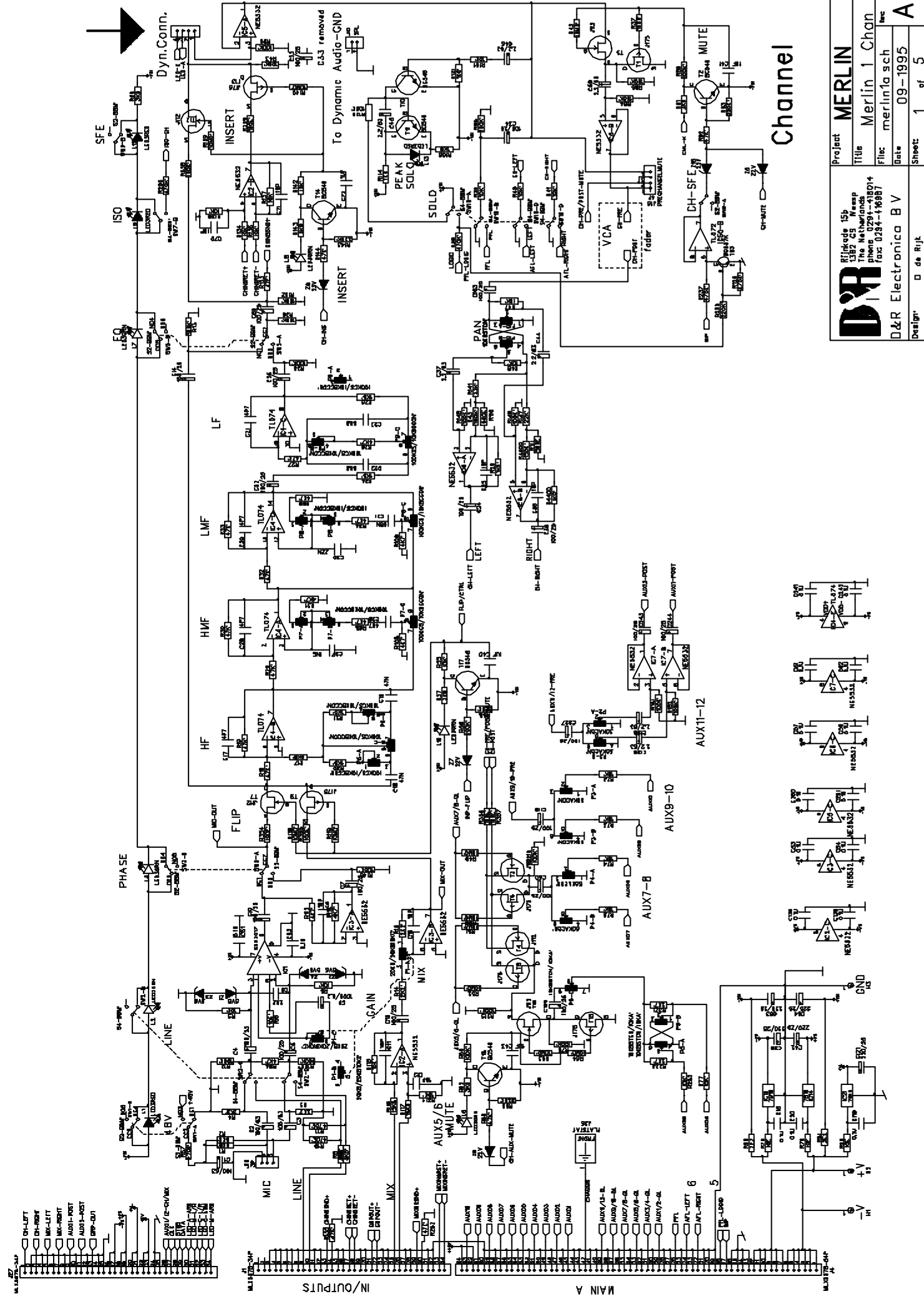
Channel

Project	MERLIN
Title	Merlin 1 Chan
File	merlin1a.sch
Date	09-1995
Sheet	1 of 5



Rijnkade 15b
1382 GS Weesp
The Netherlands
Phone: 0224-418014
fax: 0224-416807

D&R Electronics B.V.
Designer: D de Ruij



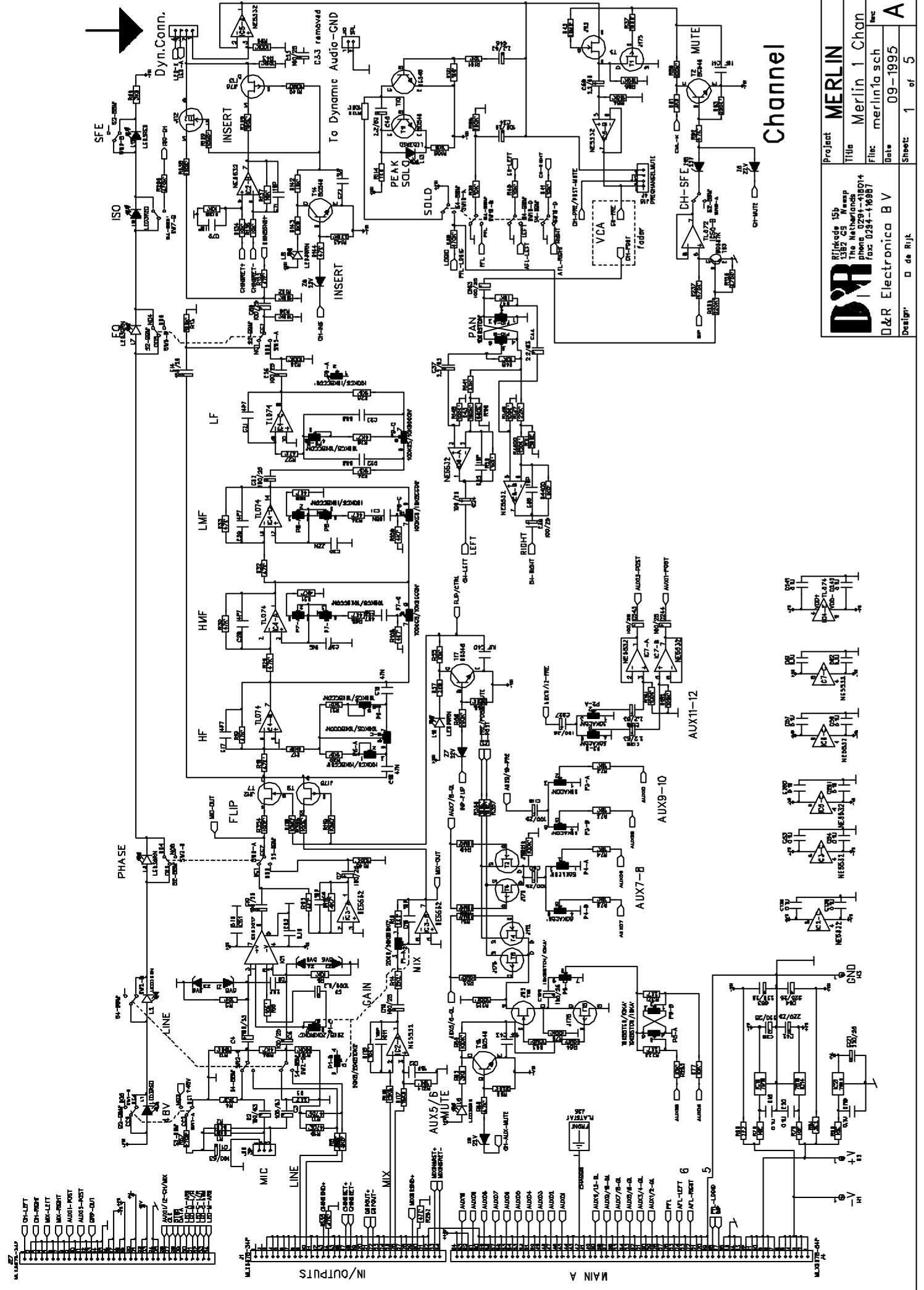
Channel

Project	MERLIN
Title	Merlin 1 Chan
File	merlin1a.sch
Date	09-1995
Sheet	1 of 5



Rijnkade 15b
 1382 GS Weesp
 The Netherlands
 phone: 0224-418014
 fax: 0284-416807

Designer: D de Ruij



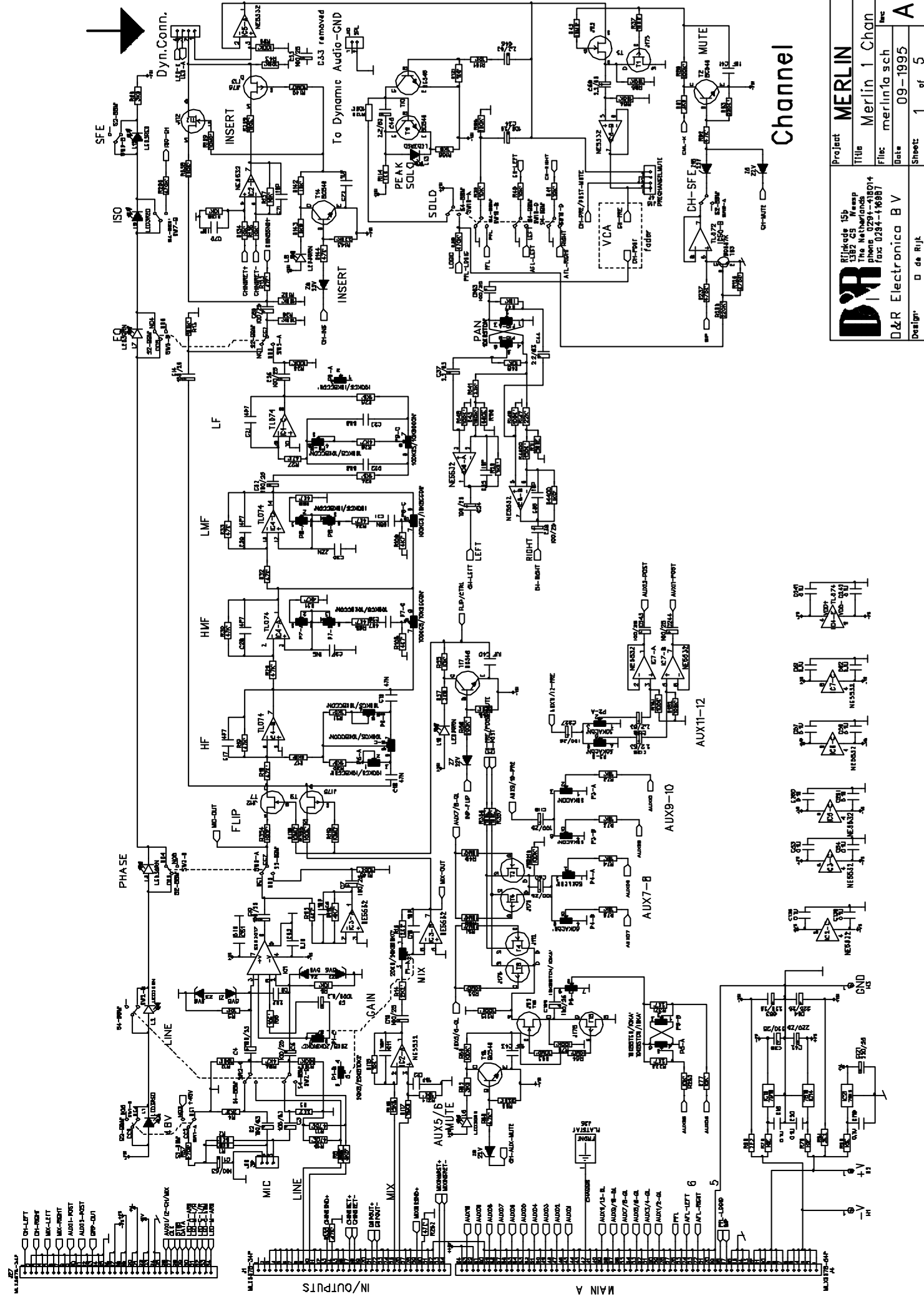
Channel

Project	MERLIN
Title	Merlin 1 Chan
File	merlin1a.sch
Date	09-1995
Sheet	1 of 5



Rijnkade 15b
 1382 GS Weesp
 The Netherlands
 phone: 0224-418014
 fax: 0284-416807

Designer: D de Ruij



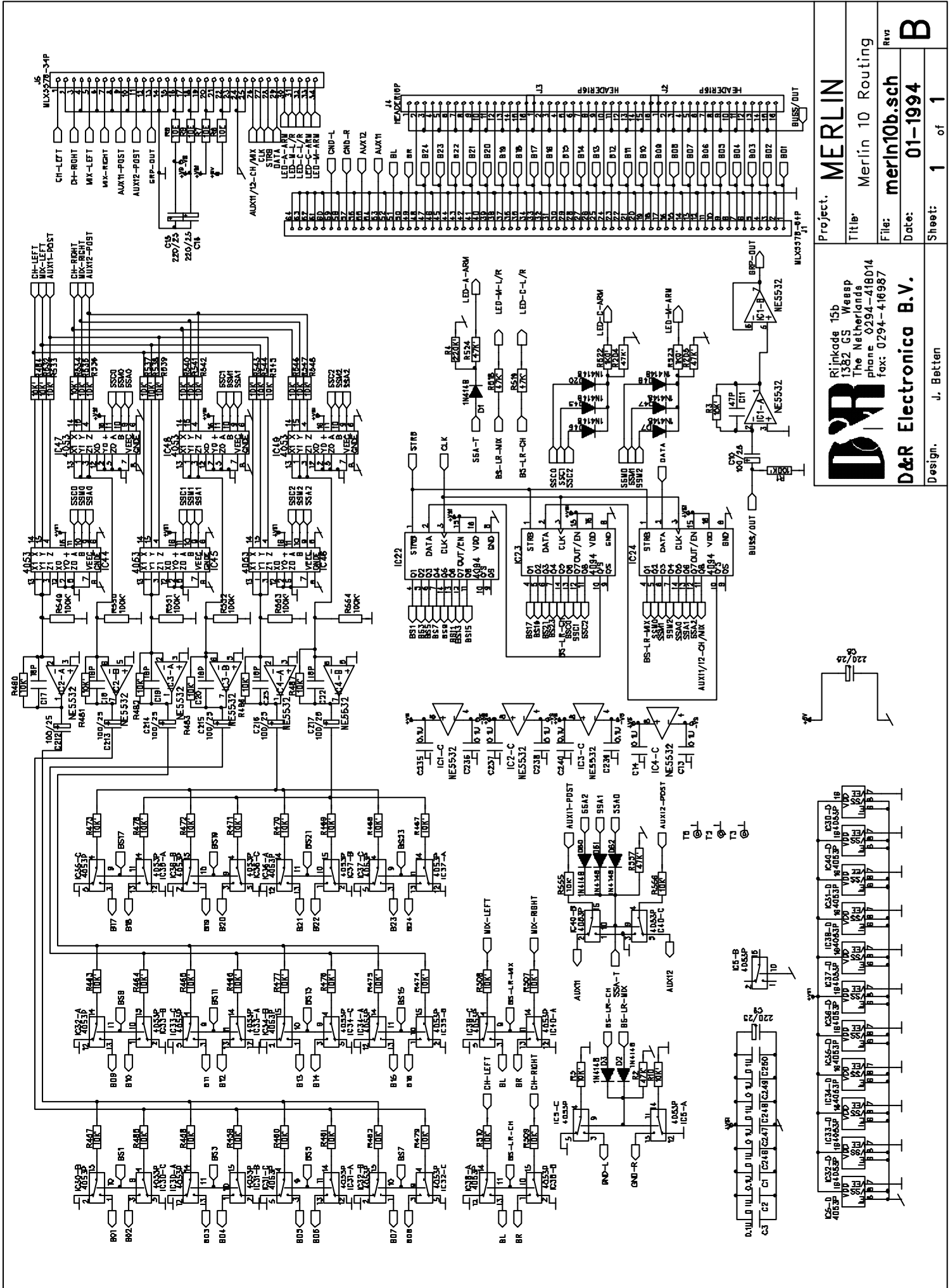
Channel

Project	MERLIN
Title	Merlin 1 Chan
File	merlin1a.sch
Date	09-1995
Sheet	1 of 5



Rijksweg 15b
 1382 GS Weesp
 The Netherlands
 phone: 0224-418014
 fax: 0284-416807

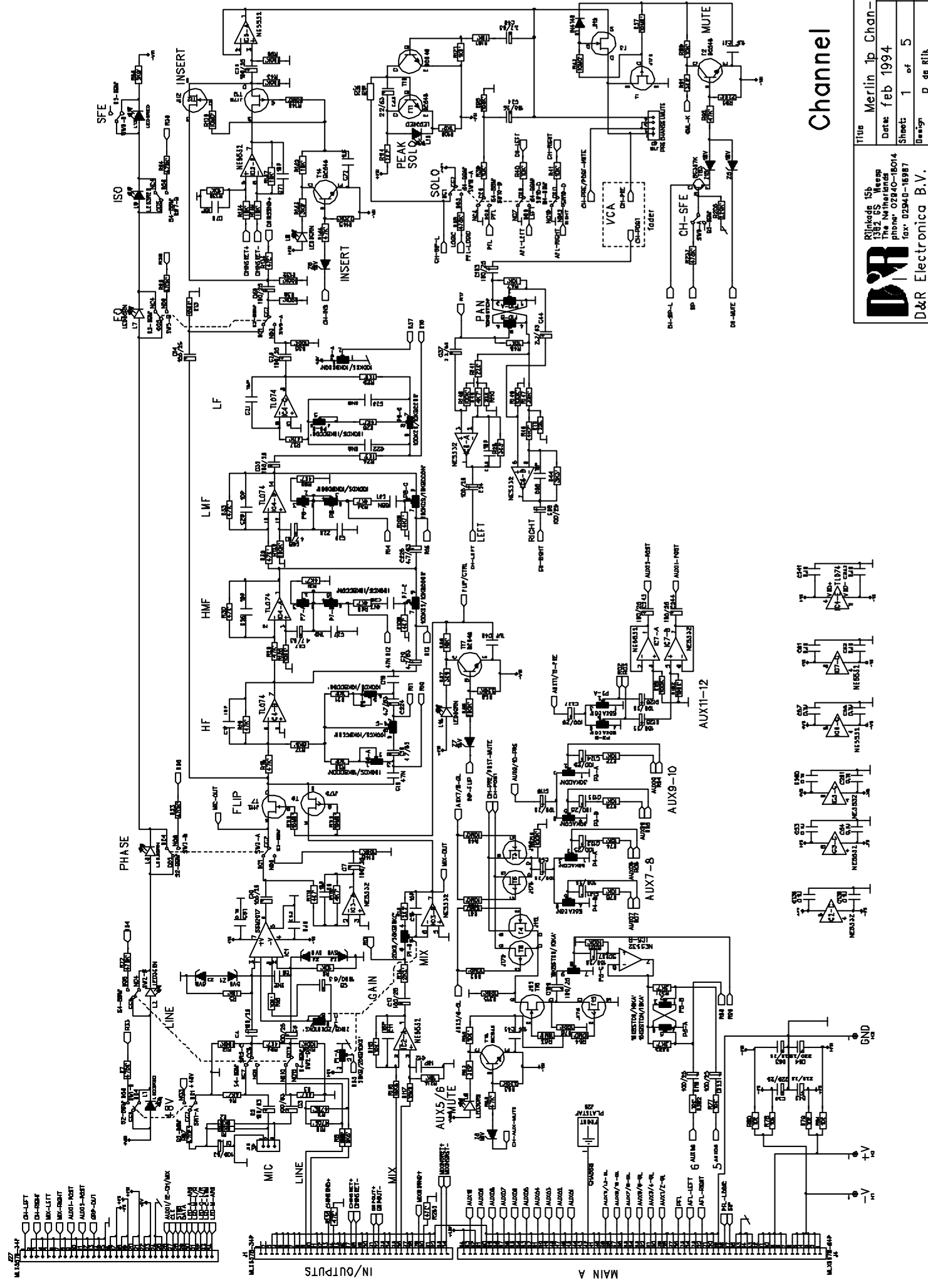
D&R Electronics B.V.
 Designer: D de Ruij



Project: **MERLIN**
 Title: Merlin 10 Routing
 File: merlin10b.sch
 Date: 01-1994
 Sheet: 1 of 1

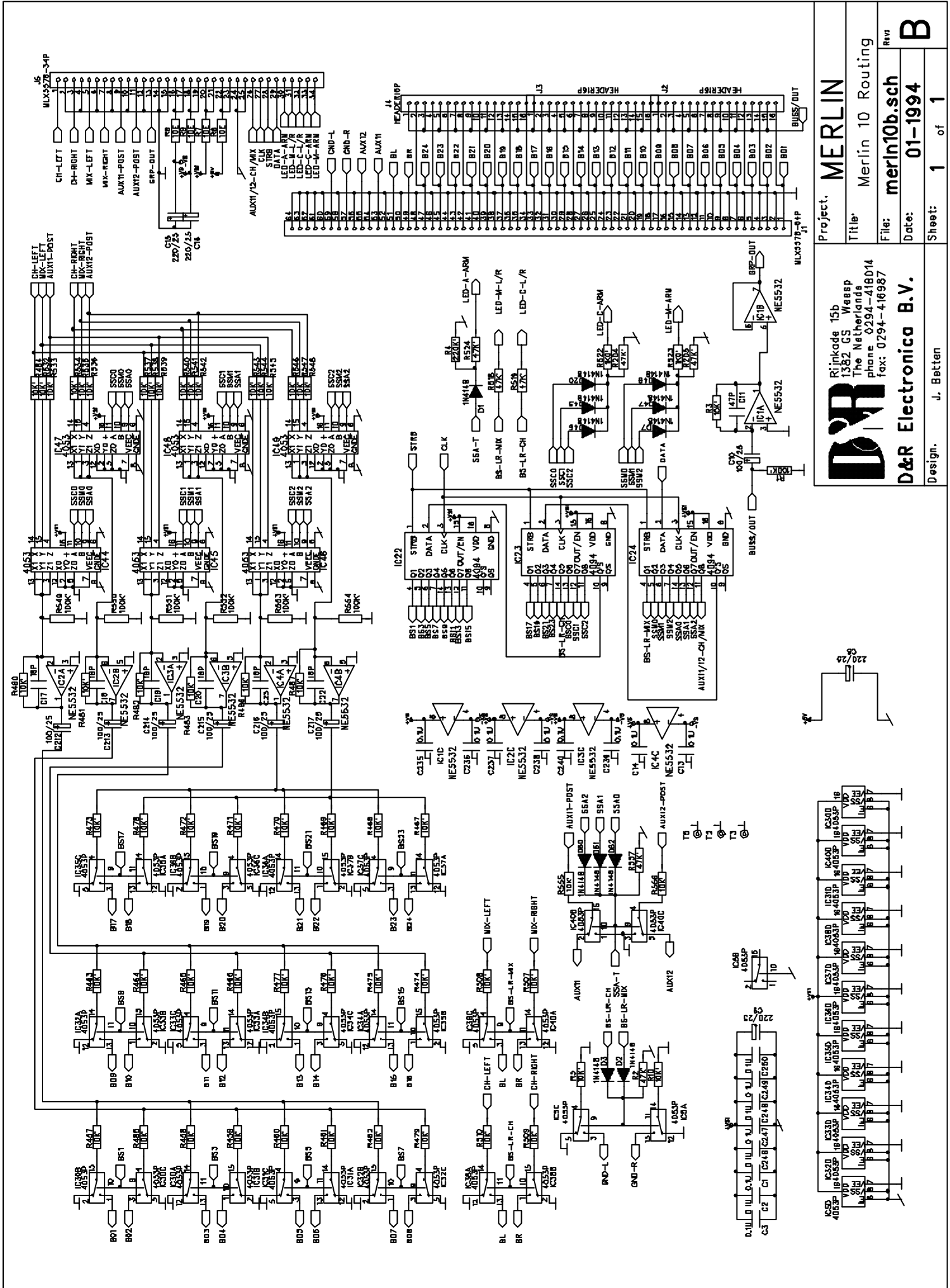
Rinkade 15b
 1382 GS Weesp
 The Netherlands
 phone: 0294-416014
 fax: 0294-416987

D&R
 Design: J. Batten
 D&R Electronica B.V.



Channel

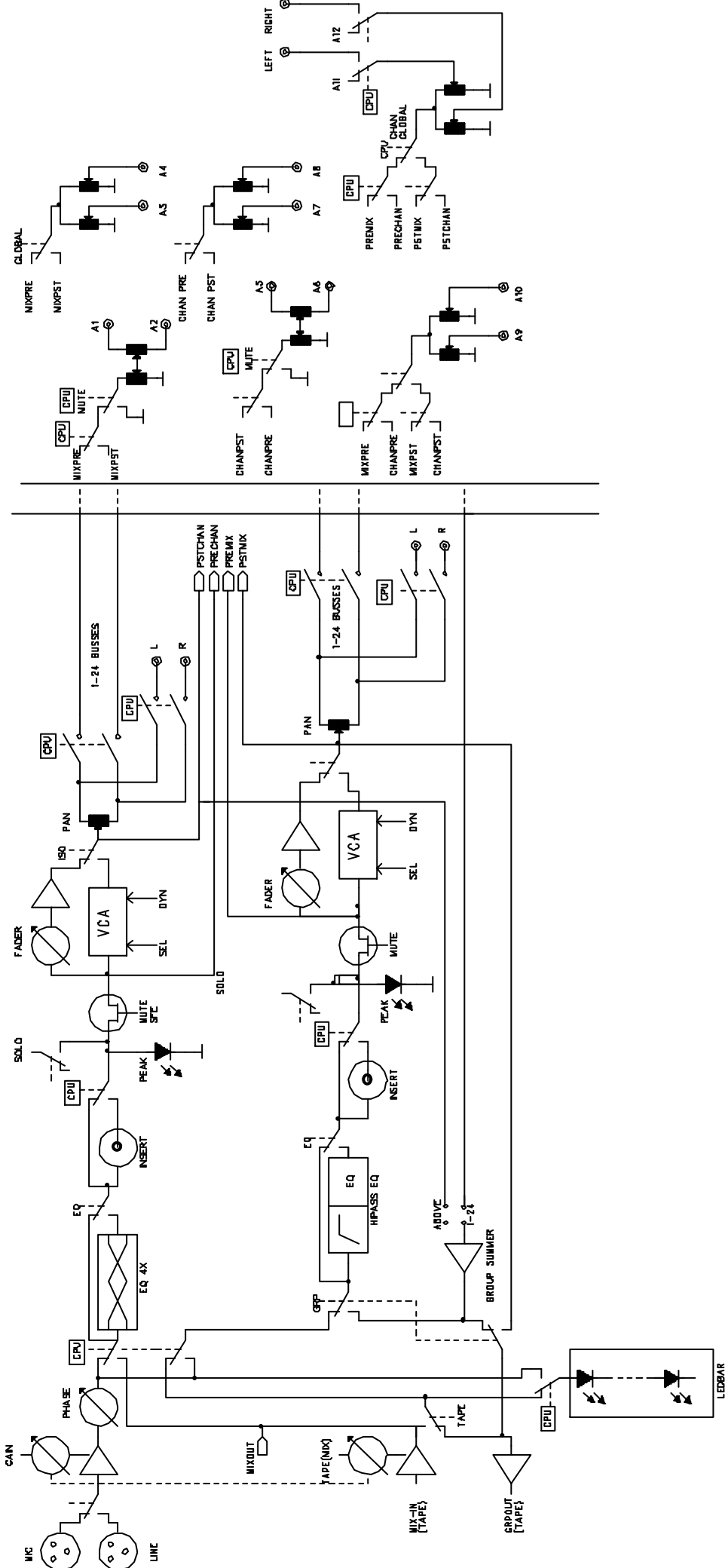
Title		Merlin 1p Chan-A	
Date		feb 1994	
Sheet		1 of 5	
Design		D ds rijk	
Rijnkade 15b 1382 GS Weesp The Netherlands phone: 02940-16014 fax: 02940-16987		P	
D&R Electronica B.V.		12-20	



Project: **MERLIN**
 Title: Merlin 10 Routing
 File: merlin10b.sch
 Date: 01-1994
 Sheet: 1 of 1

Rinkade 15b
 1382 GS Weesp
 The Netherlands
 phone: 0294-416014
 fax: 0294-416987

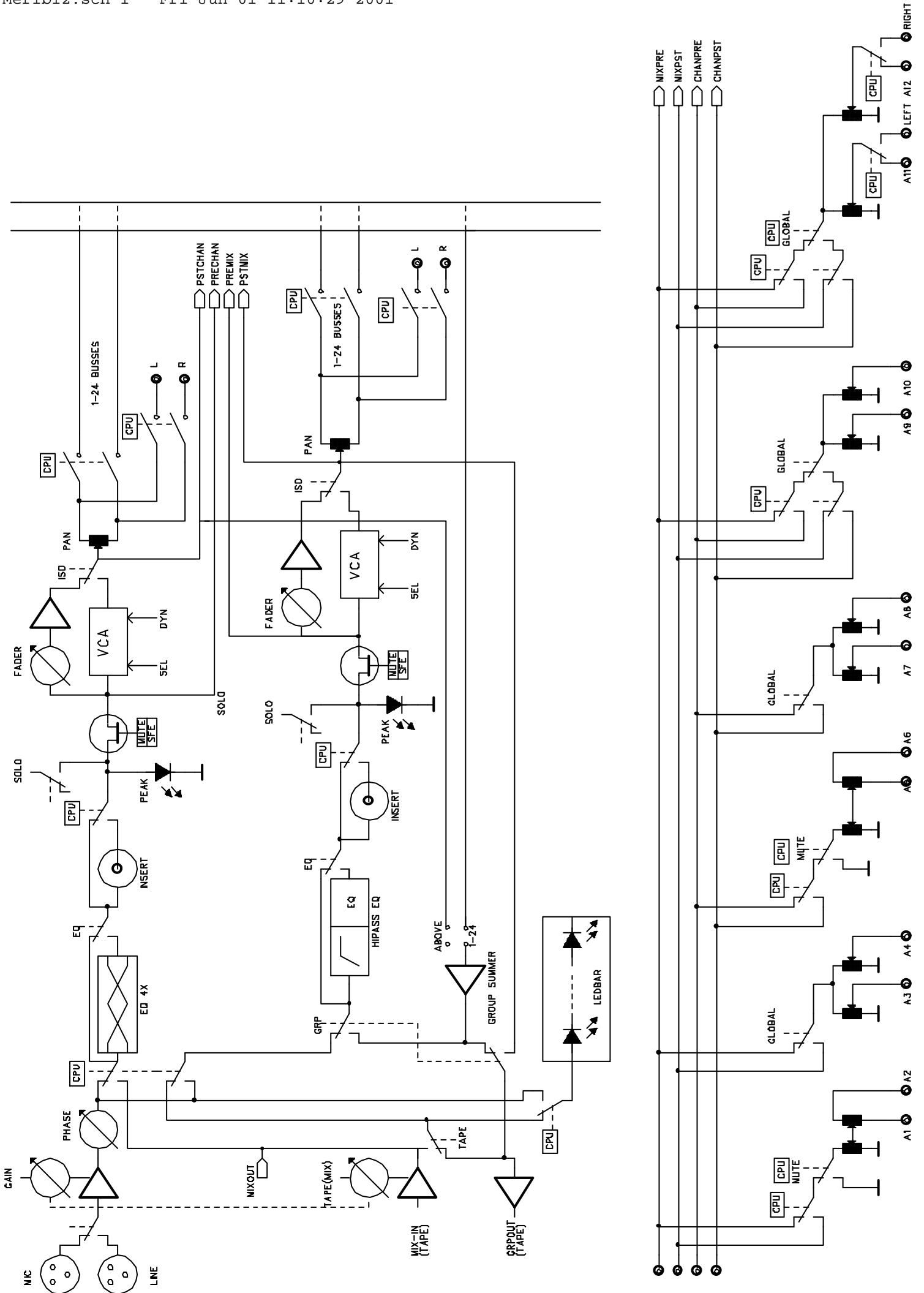
D&R
 Design: J. Batten
 D&R Electronica B.V.

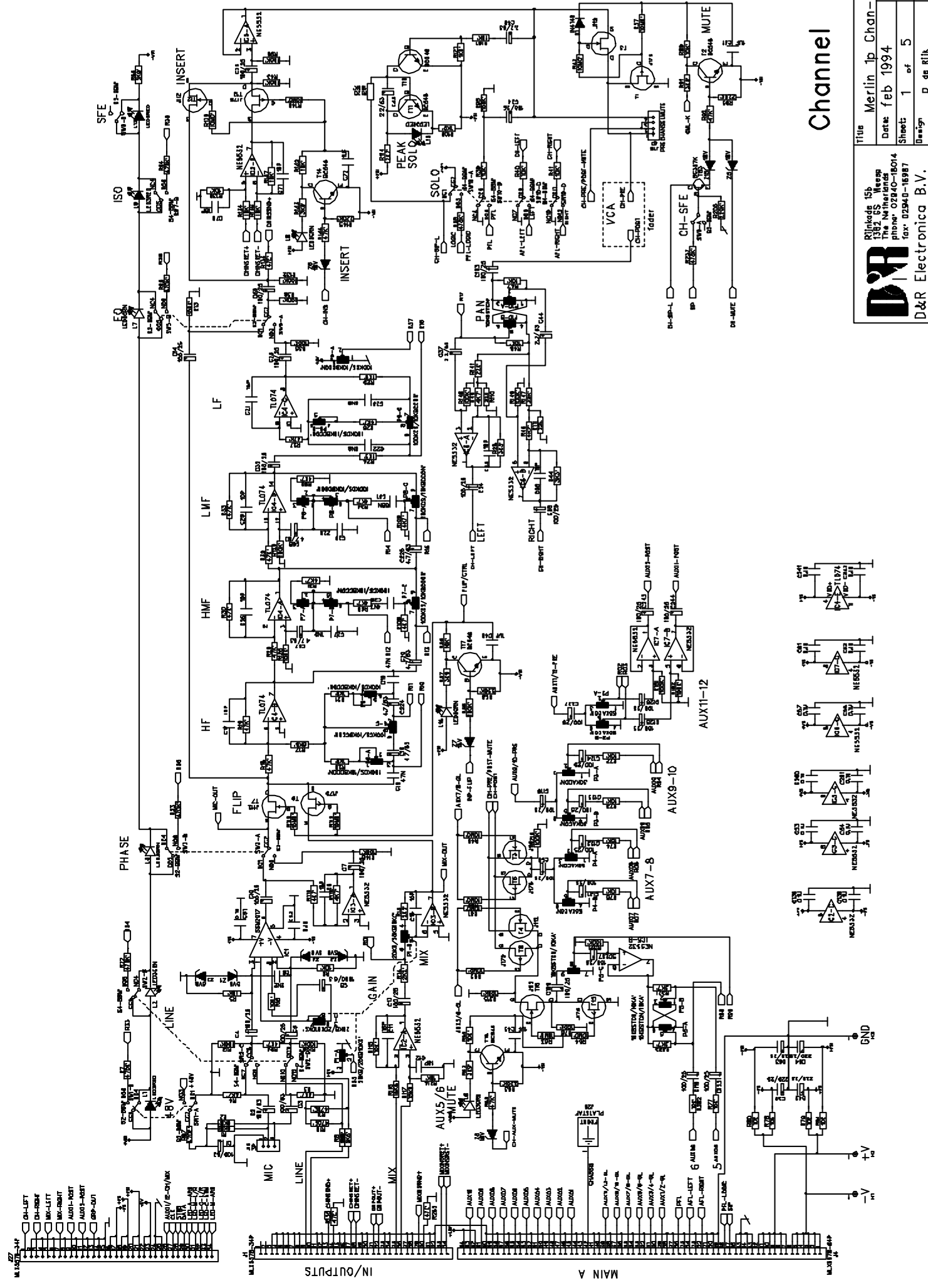


Rijnkade 15b
1382 GS Waasp
The Netherlands
phone: 02940-18014
fax: 02940-16987

D&R Electronics B.V.

Title*	
Date:	---1994
Rev.	A
Sheet:	1 of 1
Design*	





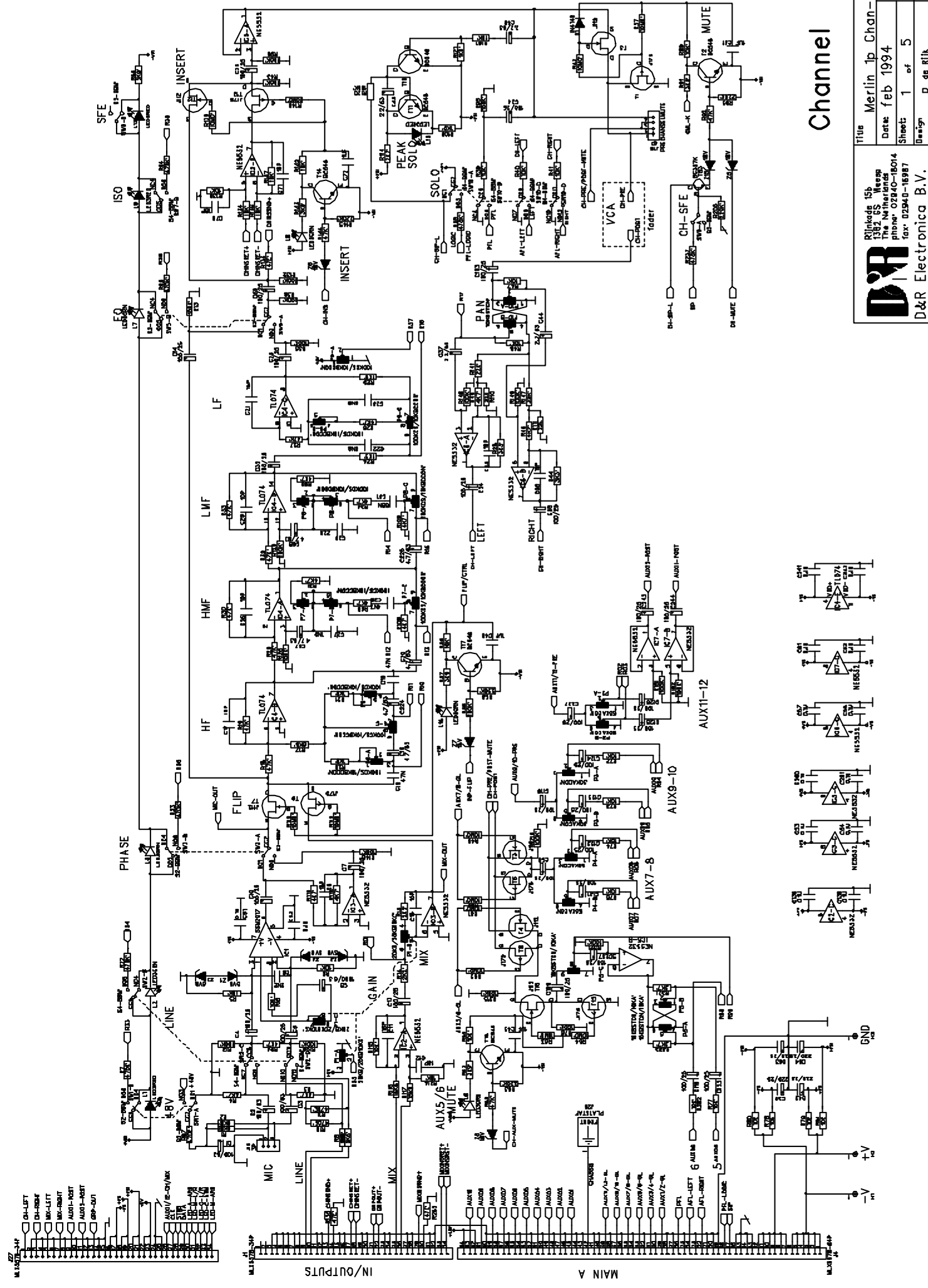
Channel

Title		Merlin 1p Chan-A	
Date		feb 1994	
Sheet		1 of 5	
Design		D ds rijk	

Rijnkade 15b
1382 GS Weesp
The Netherlands
phone: 02940-16014
fax: 02940-16987



D&R Electronica B.V.



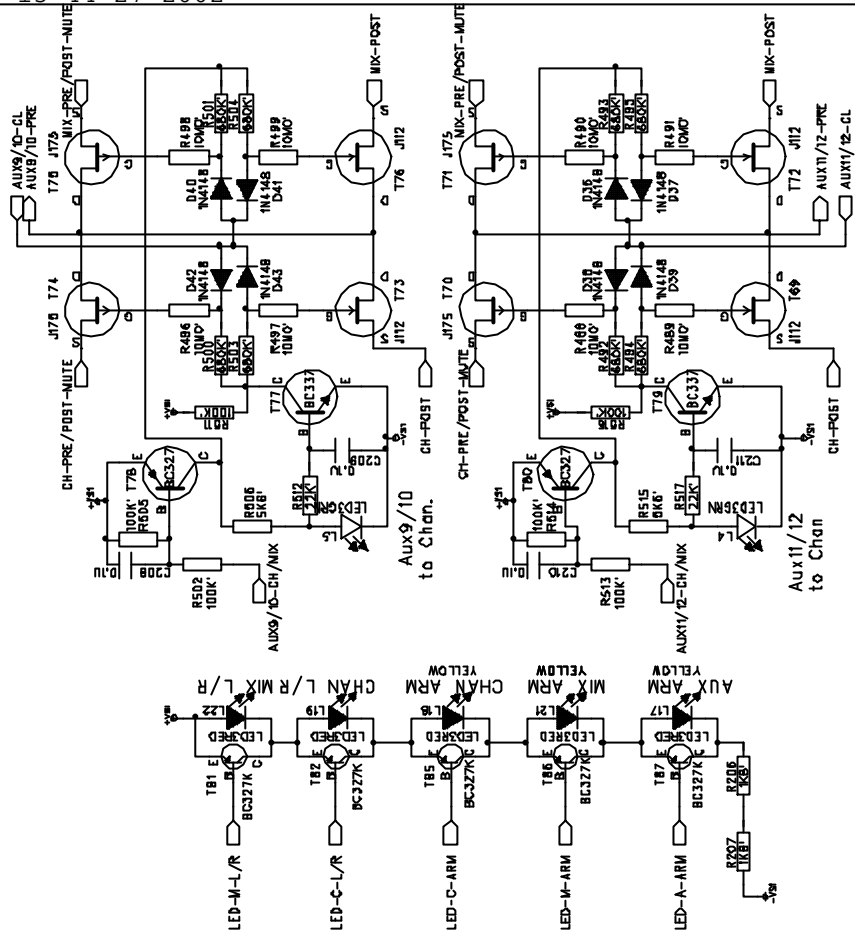
Channel

Title		Merlin 1p Chan-A	
Date		feb 1994	
Sheet		1 of 5	
Design		D ds rijk	

Rijnkade 15b
1382 GS Weesp
The Netherlands
phone: 02840-16014
fax: 02840-16987



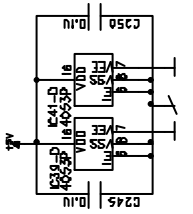
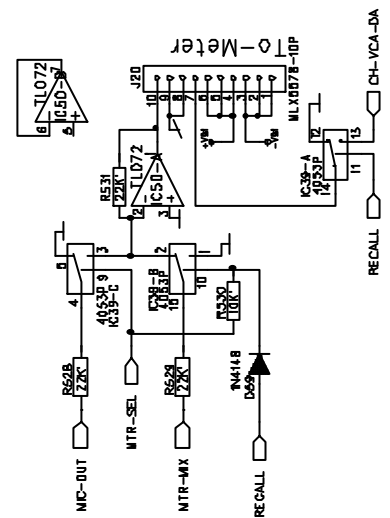
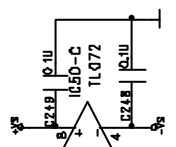
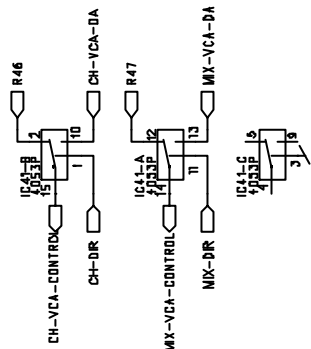
D&R Electronics B.V.

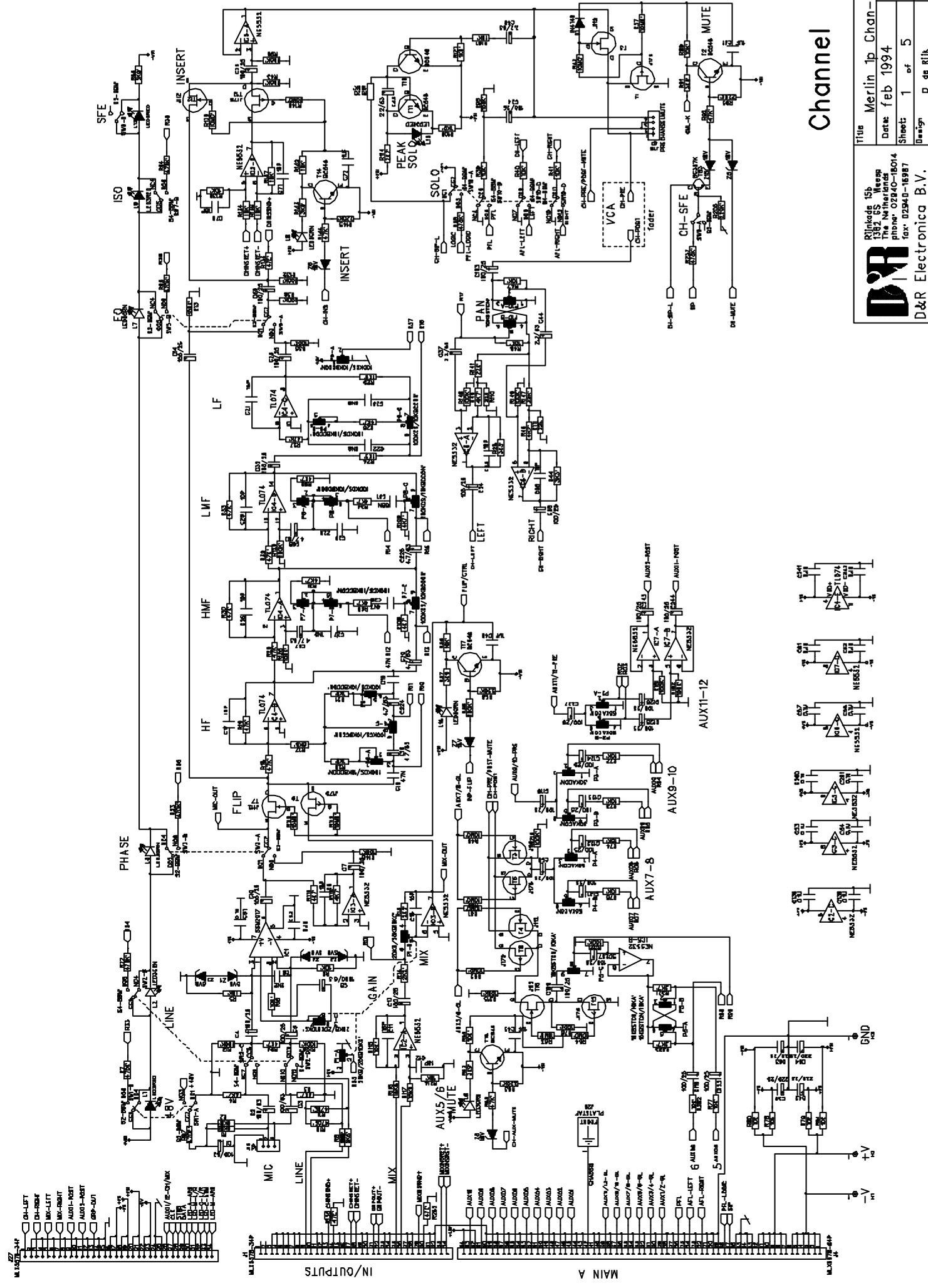


D&R Electronics B.V.

Rijnkade 15b
1382 GS Weesp
The Netherlands
phone: 02940-18014
fax: 02940-16987

Title: Merlin 1p Routing	
Date: FEB 1994	Rev: P
Sheet: 5	of 5
Design: J. Betten	
FIT	





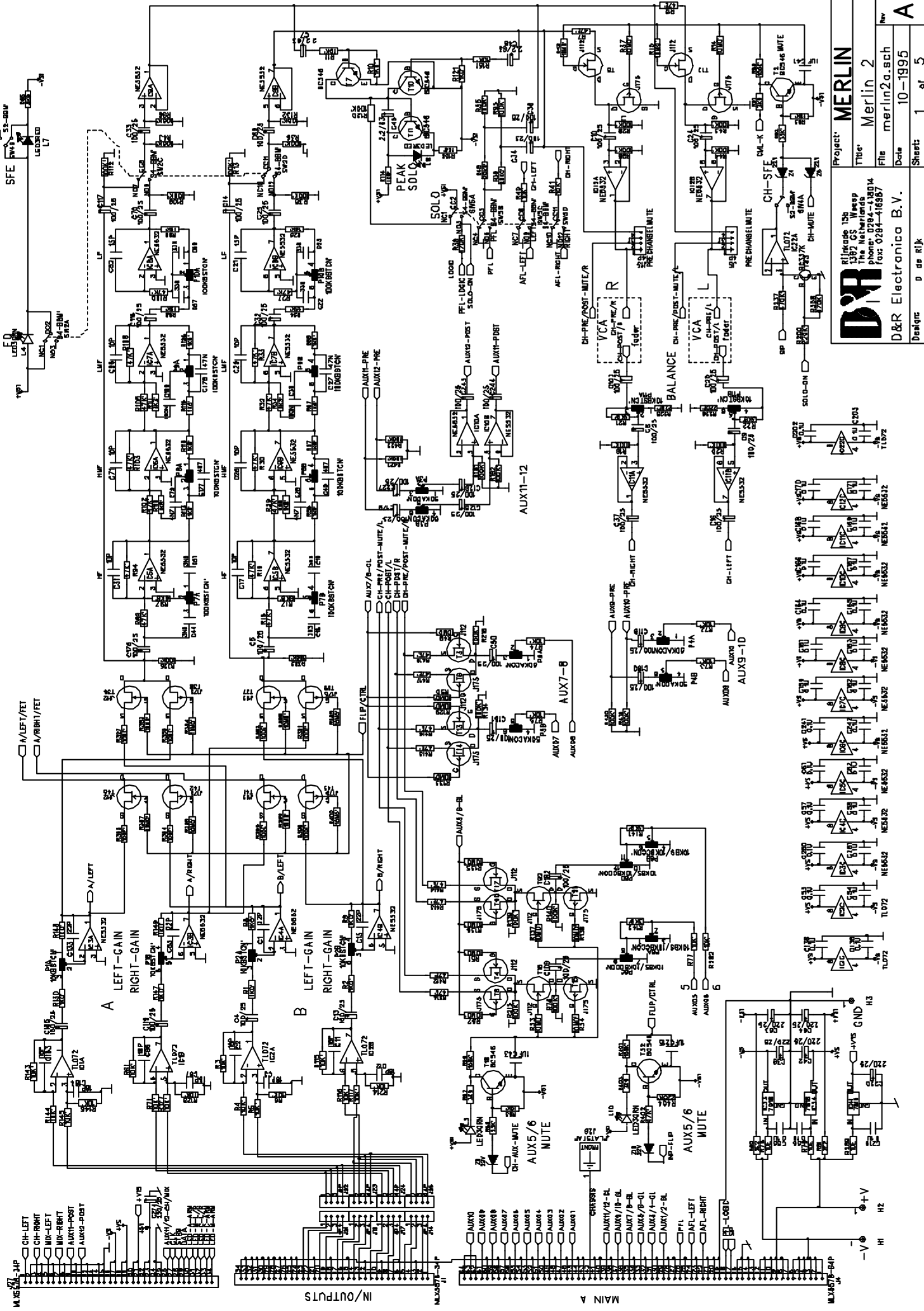
Channel

Title		Merlin 1p Chan-A	
Date		feb 1994	
Sheet		1 of 5	
Design		D ds rijk	

Rijnkade 15b
1382 GS Weesp
The Netherlands
phone: 02940-16014
fax: 02940-16987

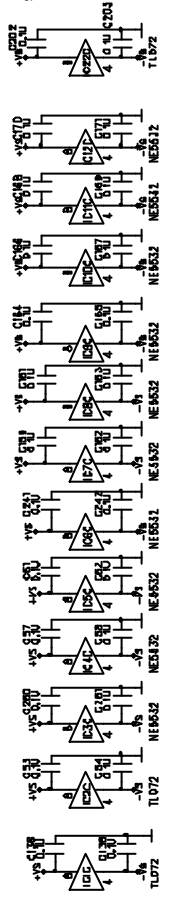


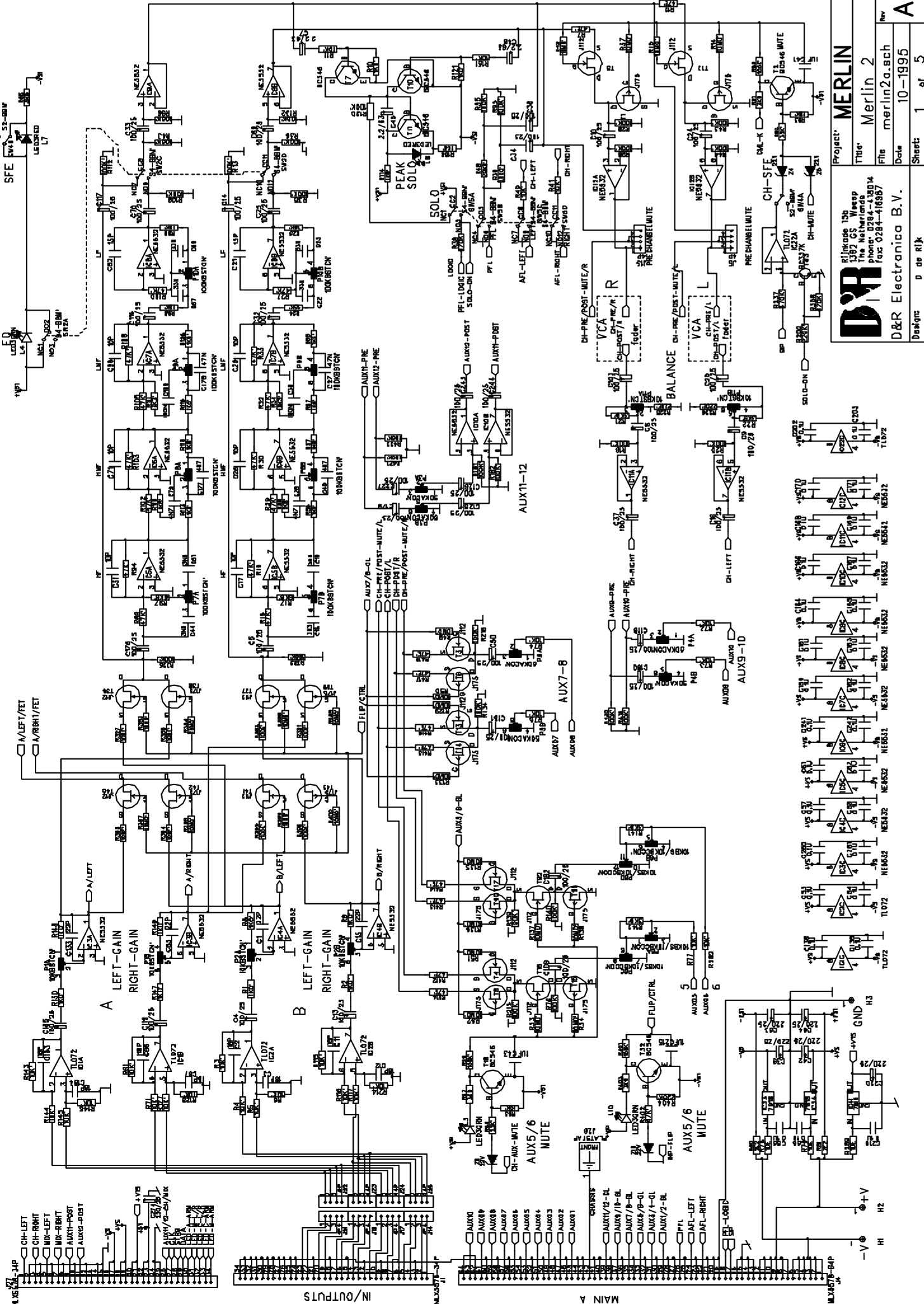
D&R Electronics B.V.



D&R
 Project: **MERLIN**
 Title: Merlin 2
 File: merlin2a.sch
 Date: 10-1995
 Sheet: 1 of 5

D&R Electronica B.V.
 Design: D de Rijk

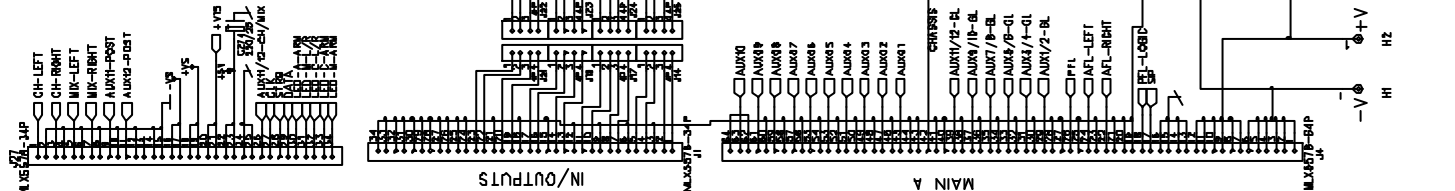
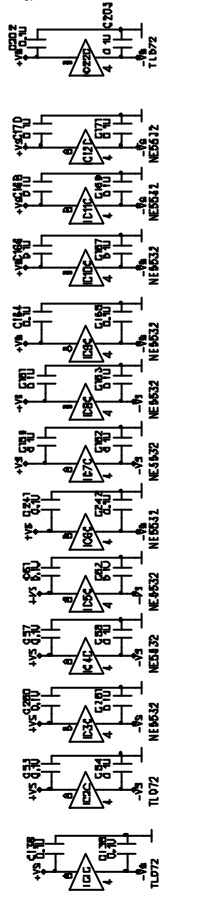


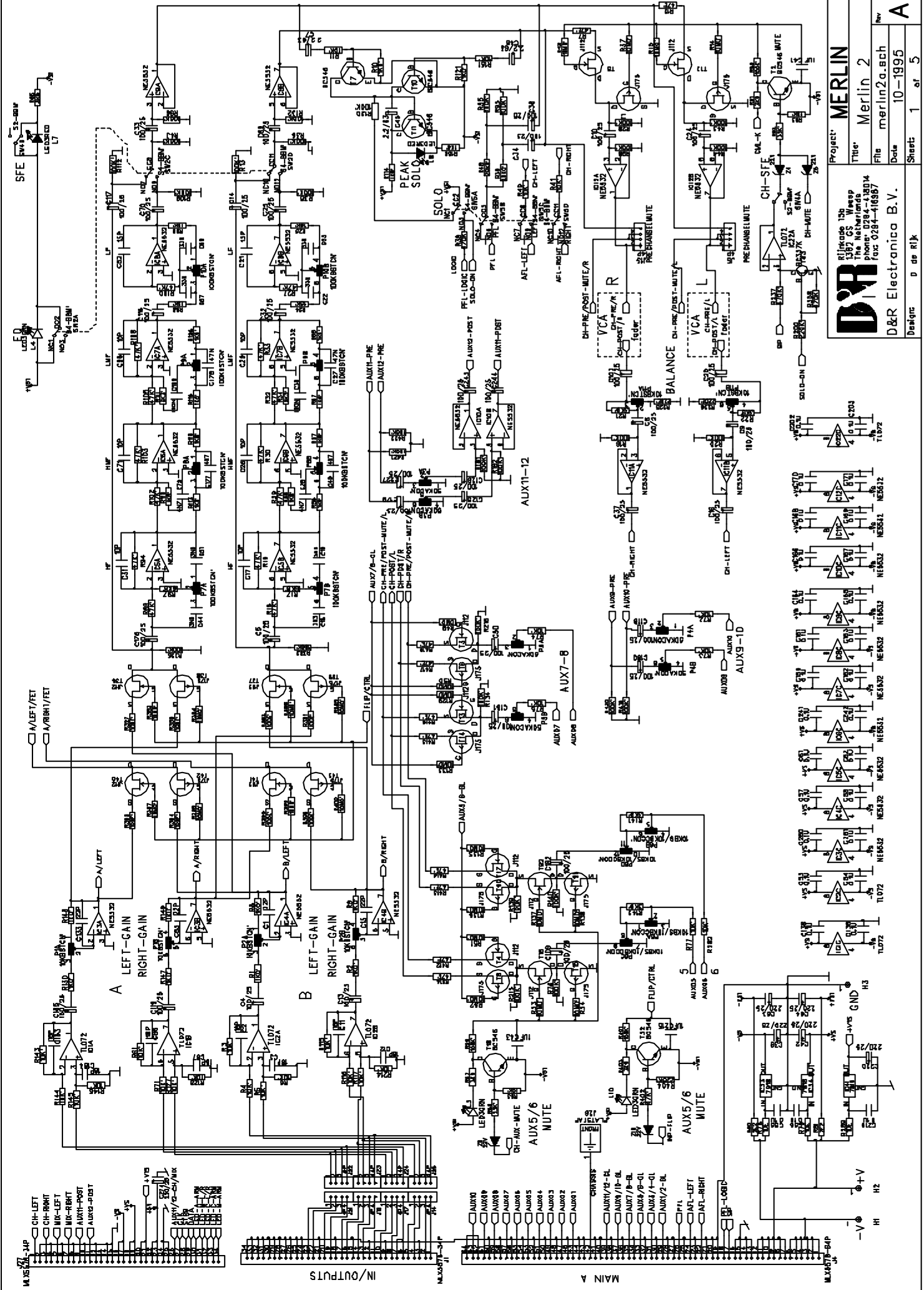


Project: **MERLIN**
 Title: Merlin 2
 File: merlin2a.sch
 Date: 10-1995
 Sheet: 1 of 5

D&R
 Rijksweg 19a
 1422 MG Marsum
 phone: 0284-41804
 fax: 0284-416957

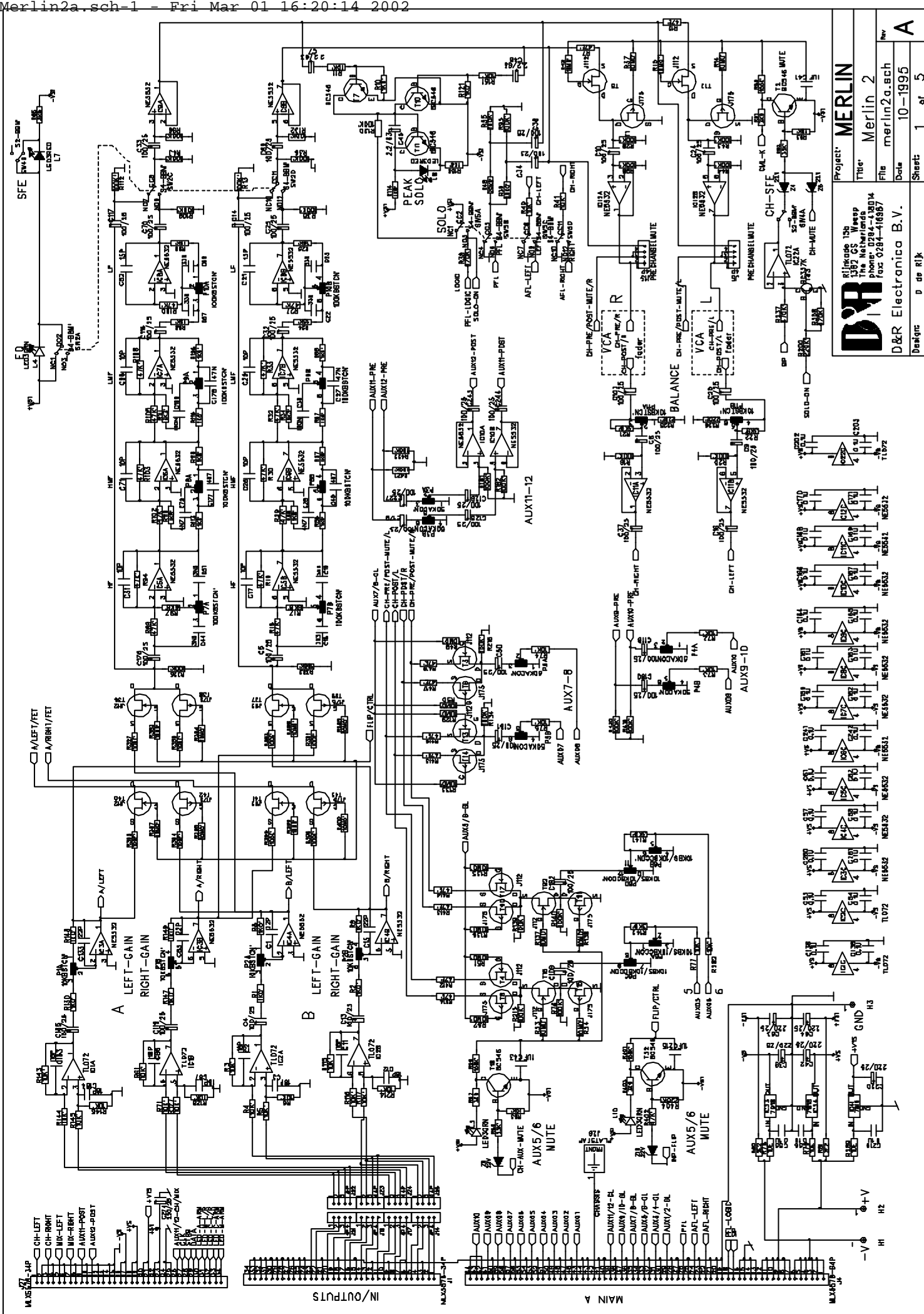
D&R Electronica B.V.
 Design: D de Rijk





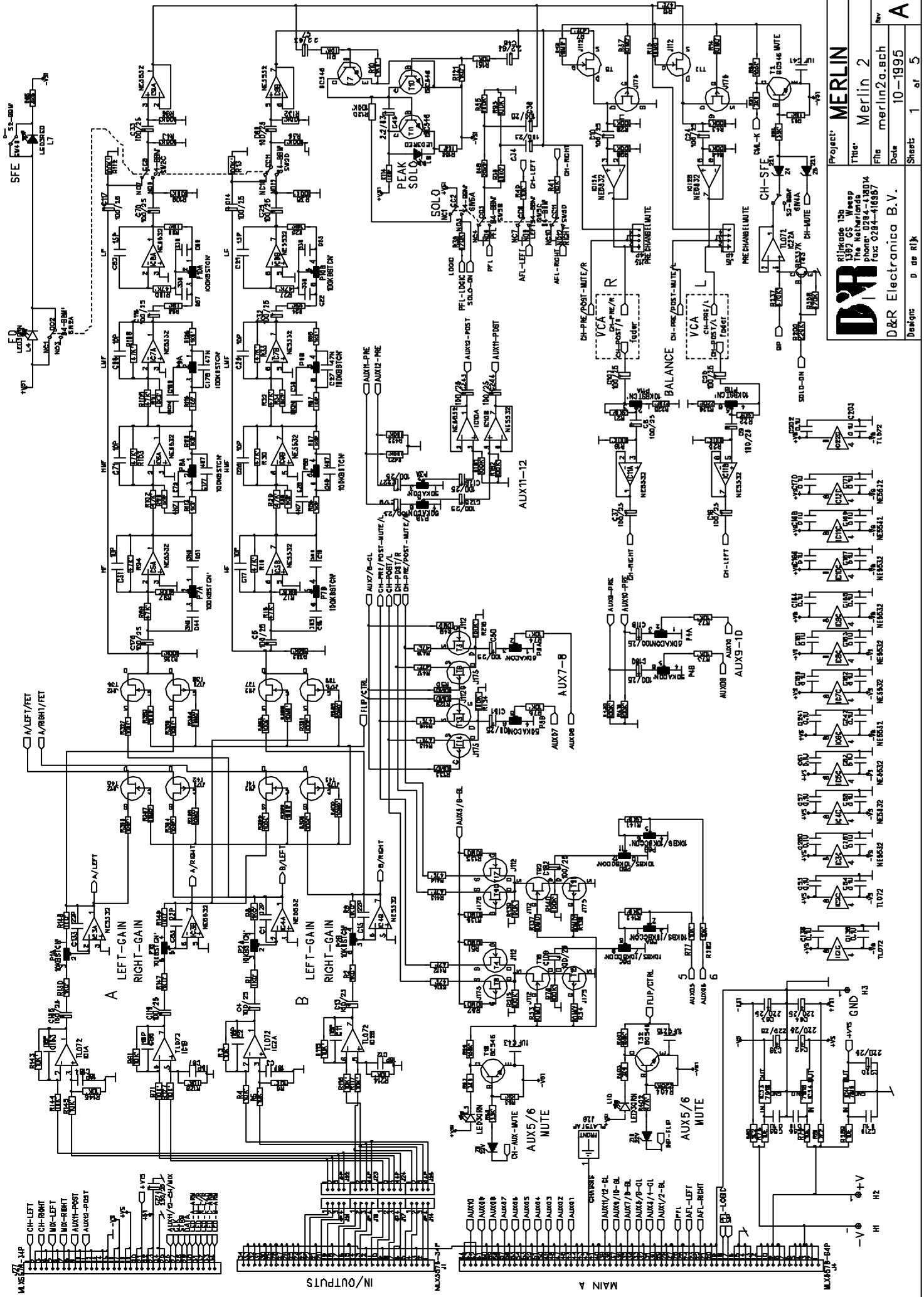
D&R
 Project: MERLIN
 Title: Merlin 2
 File: merlin2a.sch
 Date: 10-1995
 Sheet: 1 of 5

D&R Electronica B.V.
 Design: D de Rijk
 Phone: 0284-416800
 Fax: 0284-416805



D&R		Project: MERLIN
D&R Electronics B.V.		Title: Merlin 2
Dijkstra 13b 1427 AB Oostwijk phone: 0284-43044 fax: 0284-416957		Date: 10-1995
Design: D de Rijk		Sheet: 1 of 5

MAIN 5/1	CH-LEFT	AUX1	AUX11/12-RL
MAIN 5/2	CH-RIGHT	AUX2	AUX11/12-BL
MAIN 5/3	MUTE	AUX3	AUX10/10-RL
MAIN 5/4	AUX11/12-RL	AUX4	AUX10/10-BL
MAIN 5/5	AUX11/12-BL	AUX5	AUX9/9-RL
MAIN 5/6	AUX9/9-RL	AUX6	AUX9/9-BL
MAIN 5/7	AUX9/9-BL	AUX7	AUX8/8-RL
MAIN 5/8	AUX8/8-RL	AUX8	AUX8/8-BL
MAIN 5/9	AUX8/8-BL	AUX9	AUX7/7-RL
MAIN 5/10	AUX7/7-RL	AUX10	AUX7/7-BL
MAIN 5/11	AUX7/7-BL	AUX11	AUX6/6-RL
MAIN 5/12	AUX6/6-RL	AUX12	AUX6/6-BL
MAIN 5/13	AUX6/6-BL	AUX13	AUX5/5-RL
MAIN 5/14	AUX5/5-RL	AUX14	AUX5/5-BL
MAIN 5/15	AUX5/5-BL	AUX15	AUX4/4-RL
MAIN 5/16	AUX4/4-RL	AUX16	AUX4/4-BL
MAIN 5/17	AUX4/4-BL	AUX17	AUX3/3-RL
MAIN 5/18	AUX3/3-RL	AUX18	AUX3/3-BL
MAIN 5/19	AUX3/3-BL	AUX19	AUX2/2-RL
MAIN 5/20	AUX2/2-RL	AUX20	AUX2/2-BL
MAIN 5/21	AUX2/2-BL	AUX21	AUX1/1-RL
MAIN 5/22	AUX1/1-RL	AUX22	AUX1/1-BL
MAIN 5/23	AUX1/1-BL	AUX23	AUX0/0-RL
MAIN 5/24	AUX0/0-RL	AUX24	AUX0/0-BL
MAIN 5/25	AUX0/0-BL	AUX25	AUX0/0-GND
MAIN 5/26	AUX0/0-GND	AUX26	AUX0/0-V+
MAIN 5/27	AUX0/0-V+	AUX27	AUX0/0-V-
MAIN 5/28	AUX0/0-V-	AUX28	AUX0/0-NC



Project: **MERLIN**
 Title: Merlin 2
 File: merlin2a.sch
 Date: 10-1995
 Sheet: 1 of 5

D&R
 D&R Electronica B.V.
 Design: D de Rijk

Pinout for MAIN 4:

- AUX0
- AUX8
- AUX7
- AUX6
- AUX5
- AUX4
- AUX3
- AUX2
- AUX1
- CH-RS/2-BL
- AUX11/12-BL
- AUX10/10-BL
- AUX7/7-BL
- AUX4/4-BL
- AUX1/1-BL
- CH-LEFT
- CH-RIGHT
- LED-LOAD

Pinout for IN/OUTPUTS:

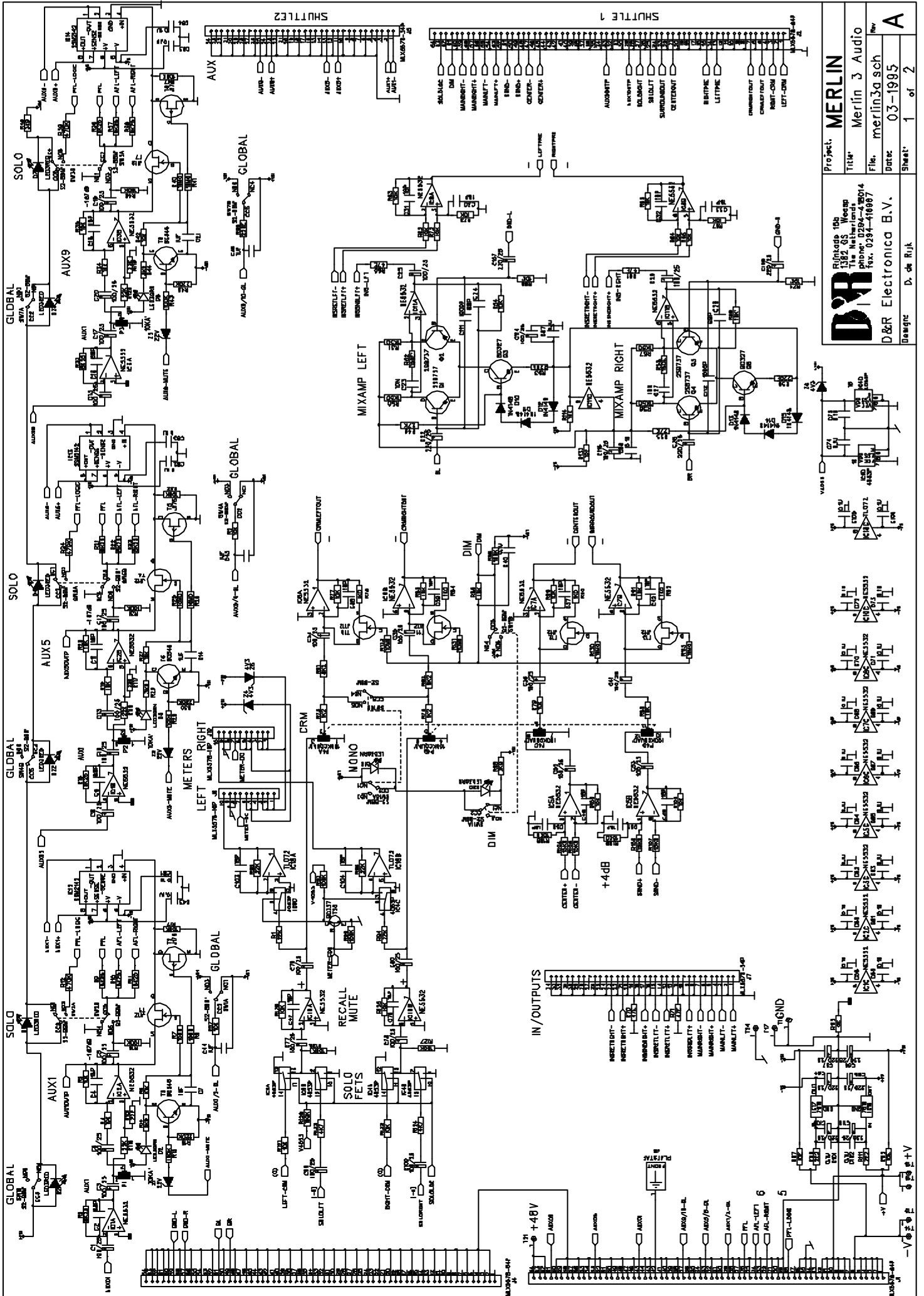
- CH-LEFT
- CH-RIGHT
- MUTE
- AUX11-POST
- AUX10-POST
- AUX9/9-BL
- AUX8/8-BL
- AUX7/7-BL
- AUX6/6-BL
- AUX5/5-BL
- AUX4/4-BL
- AUX3/3-BL
- AUX2/2-BL
- AUX1/1-BL
- CH-LEFT
- CH-RIGHT
- LED-LOAD

Pinout for MAIN 4 (continued):

- CH-RS/2-BL
- AUX11/12-BL
- AUX10/10-BL
- AUX7/7-BL
- AUX4/4-BL
- AUX1/1-BL
- CH-LEFT
- CH-RIGHT
- LED-LOAD

Pinout for IN/OUTPUTS (continued):

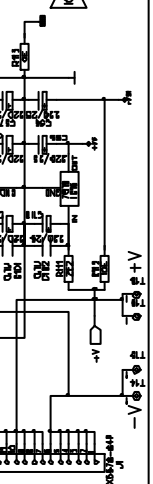
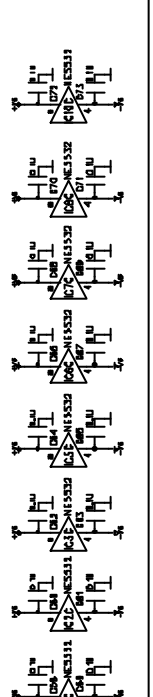
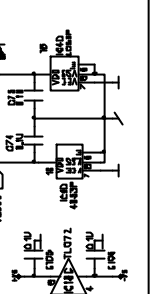
- CH-LEFT
- CH-RIGHT
- MUTE
- AUX11-POST
- AUX10-POST
- AUX9/9-BL
- AUX8/8-BL
- AUX7/7-BL
- AUX6/6-BL
- AUX5/5-BL
- AUX4/4-BL
- AUX3/3-BL
- AUX2/2-BL
- AUX1/1-BL
- CH-LEFT
- CH-RIGHT
- LED-LOAD

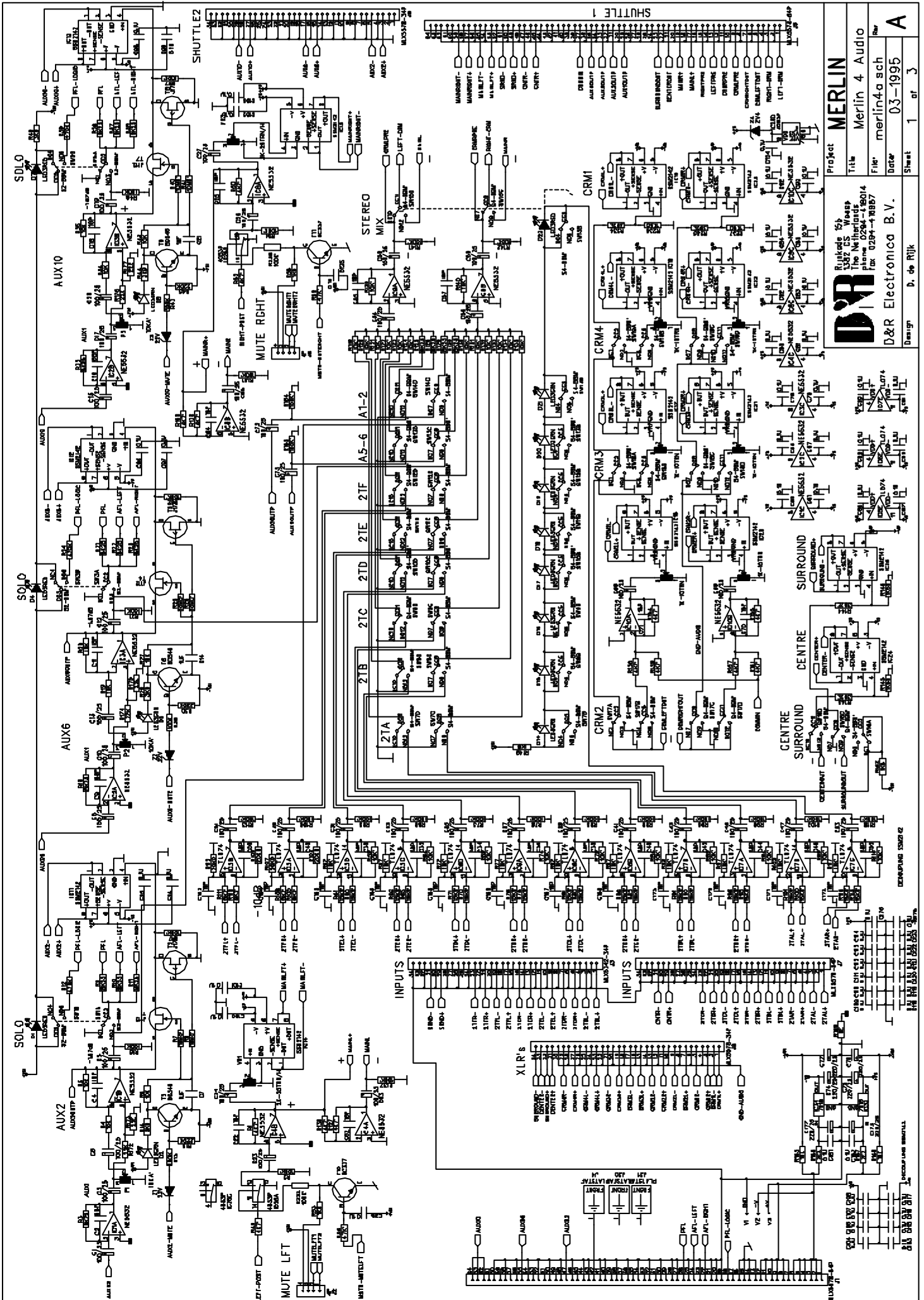


Project: **MERLIN**
 Title: Merlin 3 Audio
 File: merlin3a.sch
 Date: 03-1995
 Sheet: 1 of 2

D&R
 Rinkoop 100
 1382 GS
 The Netherlands
 phone: 0294-48694
 fax: 0294-48667

D&R Electronica B.V.
 D. de Rijk

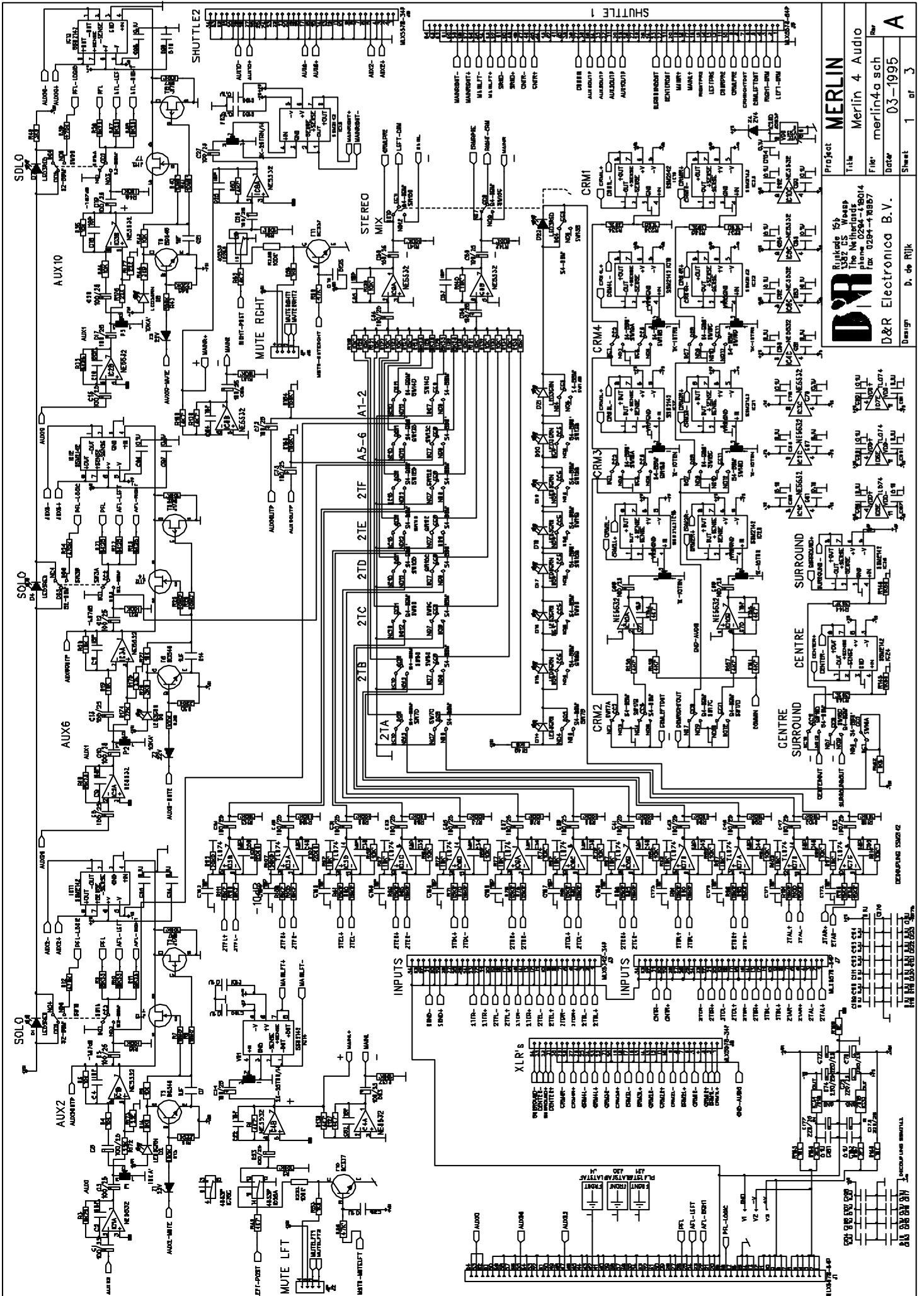




D&R
Rijksweg 15b
3822 CS Wageningen
The Netherlands
Phone: 031-7541111
Fax: 031-7541111
E-mail: info@dandru.nl

Project MERLIN
Title Merlin 4 Audio
File merlin4a.sch
Date 03-1995
Design D. de Rijk
Sheet 1 of 3

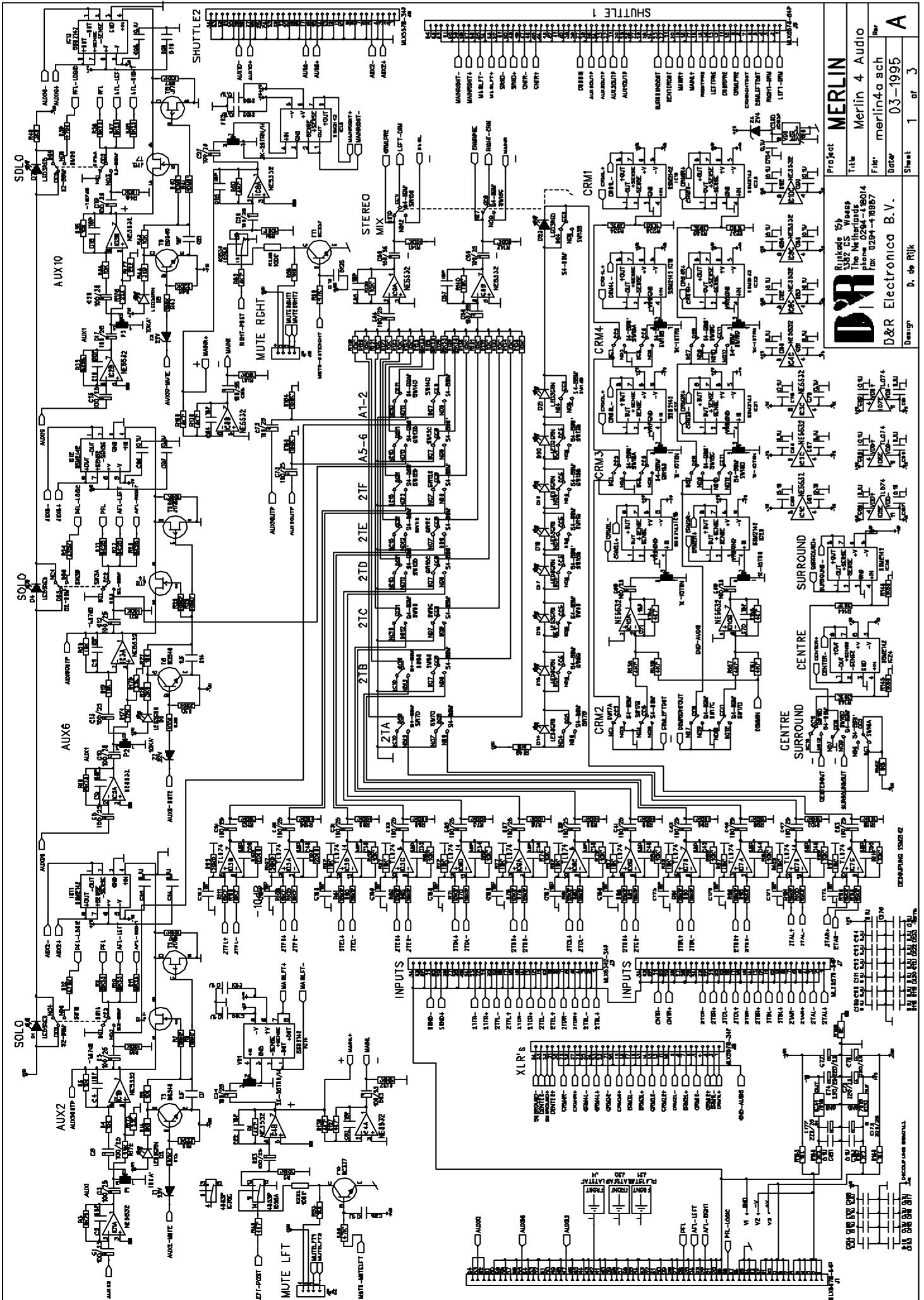
DECKING 55822
ENCLOSURE 55821



D&R
Rijksweg 15b
3822 CS
The Netherlands
Phone: 0204-18874
Fax: 0204-18877

Project MERLIN
Title Merlin 4 Audio
File merlin4a.sch
Date 03-1995
Design D. de Rijk
Sheet 1 of 3

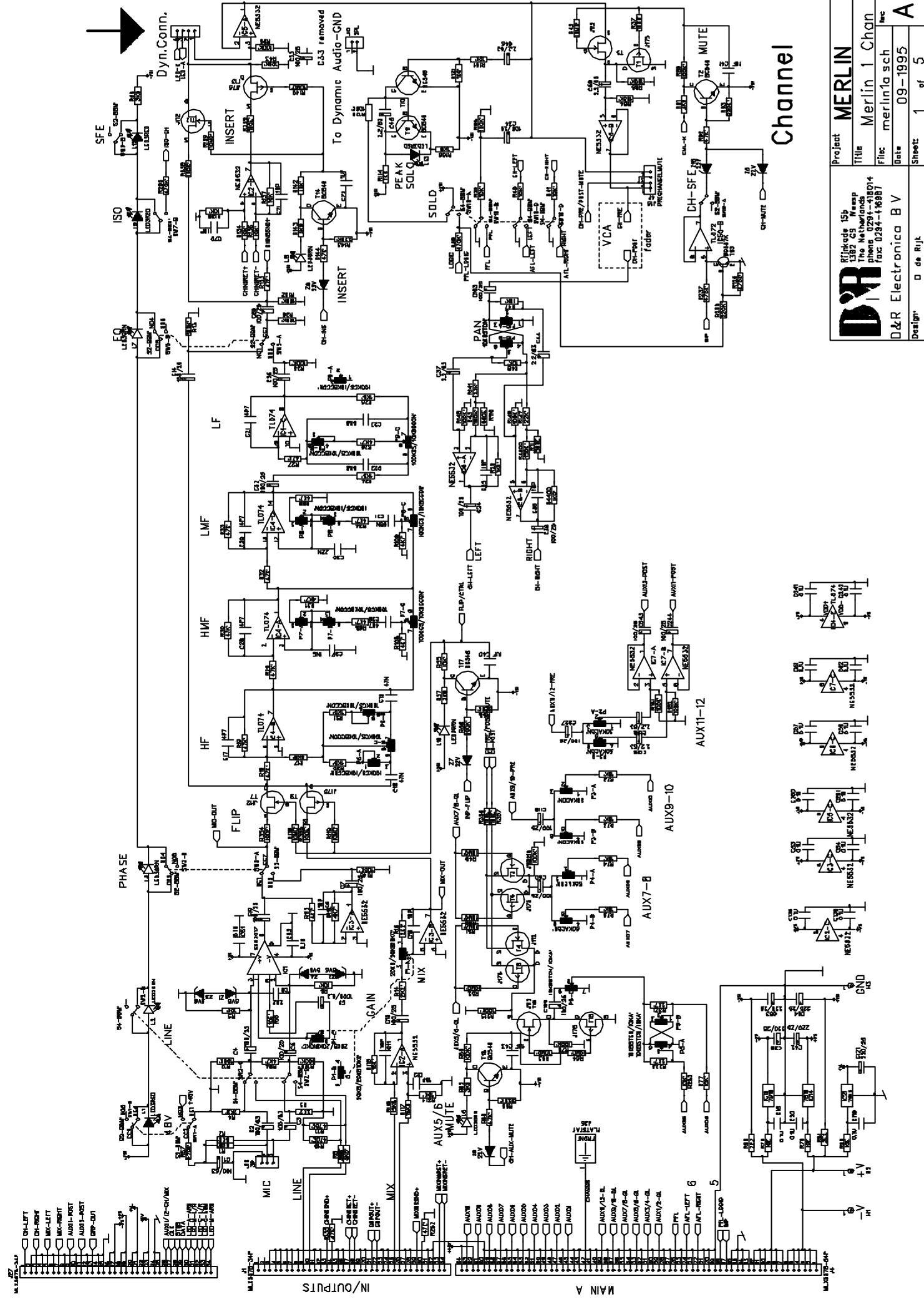
A



D&R
Rijksweg 15b
3822 CS Wageningen
The Netherlands
Phone: 0314-488014
Fax: 0314-488074

Project MERLIN
Title Merlin 4 Audio
File merlin4a.sch
Date 03-1995
Design D. de Rijk
Sheet 1 of 3

DECKING 55822
ENCLOSURE BENTALL



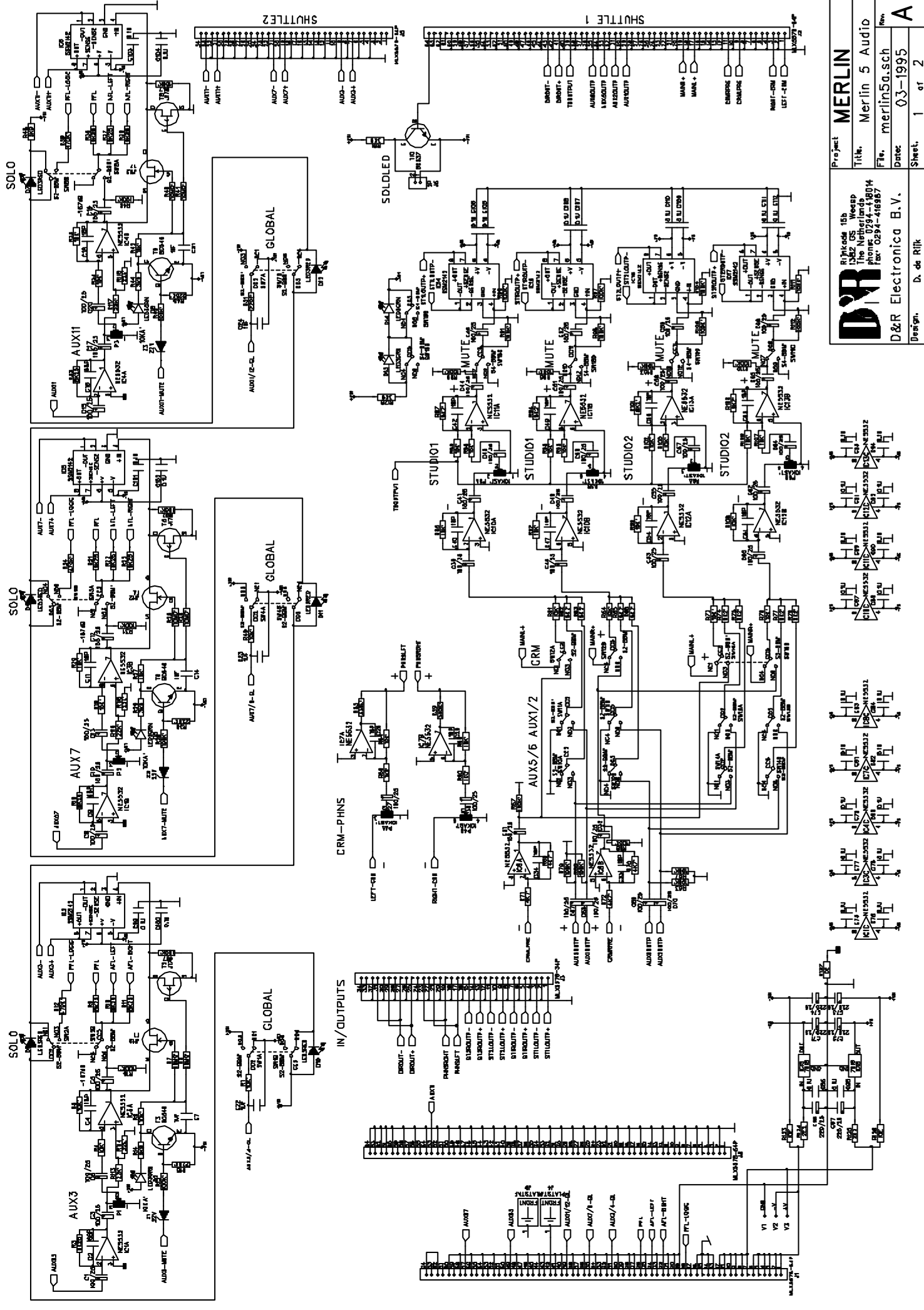
Channel

Project	MERLIN
Title	Merlin 1 Chan
File	merlin1a.sch
Date	09-1995
Sheet	1 of 5



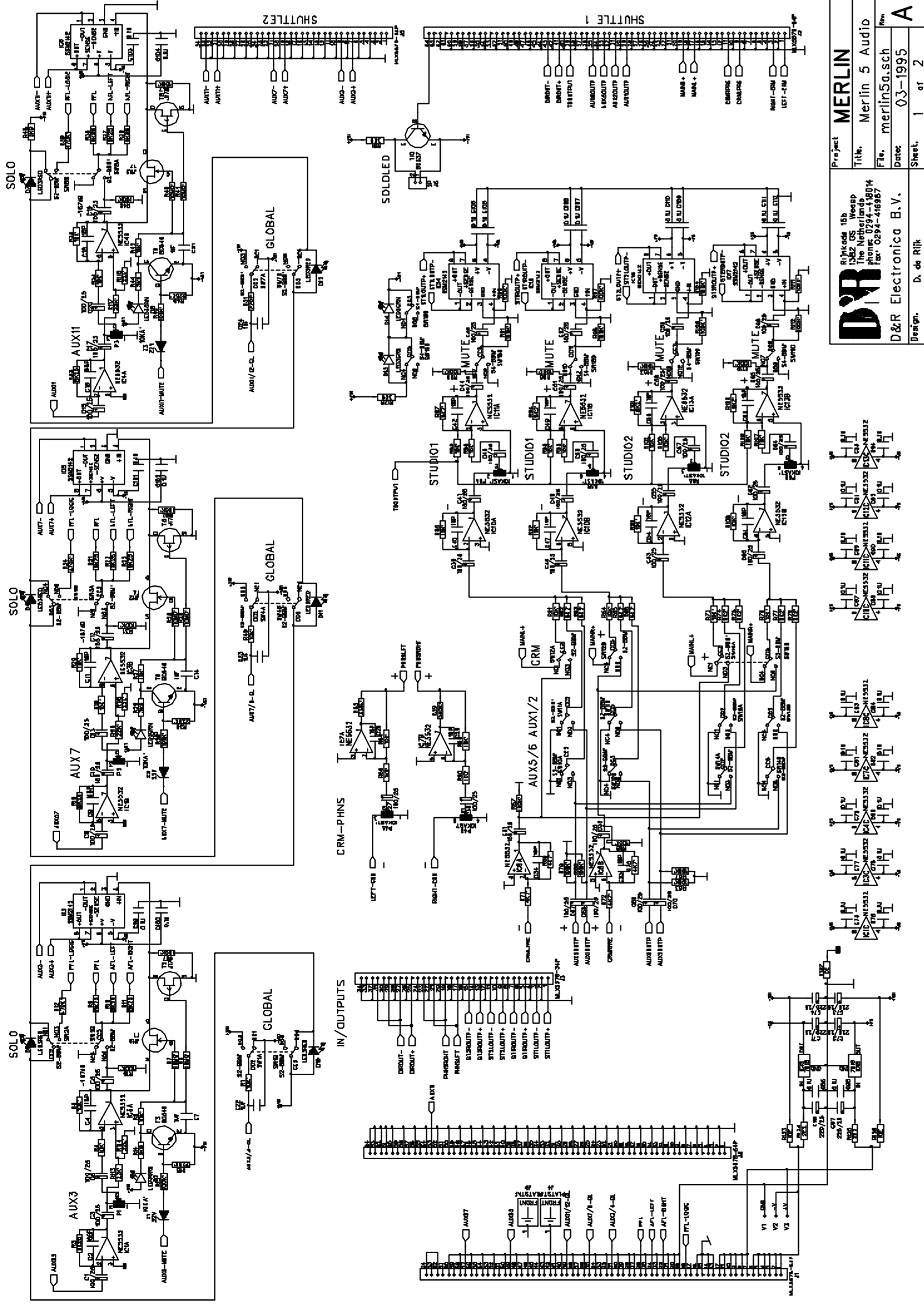
Rijksweg 15b
 1382 GS Weesp
 The Netherlands
 phone: 0224-418014
 fax: 0284-416807

D&R Electronics B V
 Designer: D de Ruij

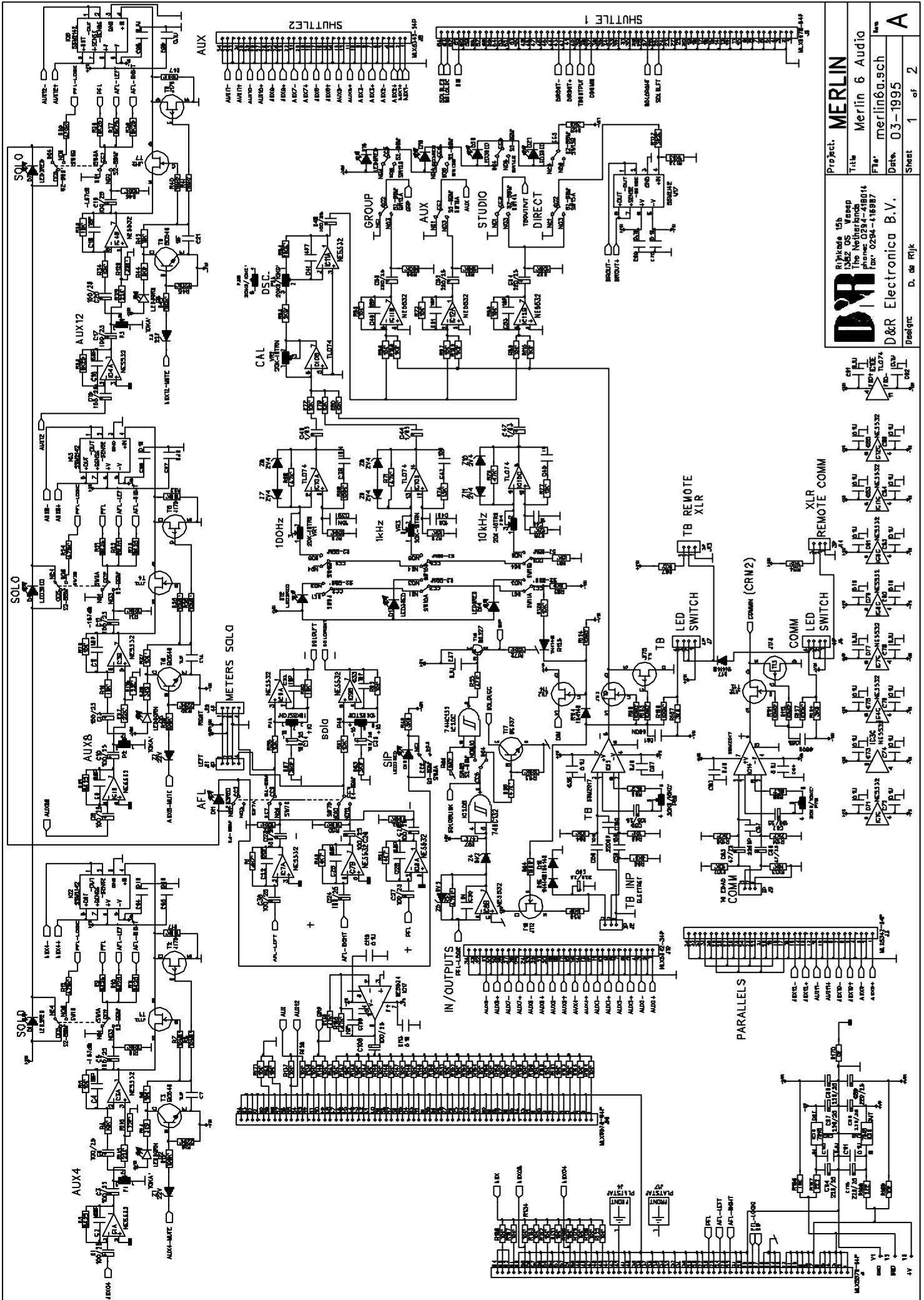


Project MERLIN	
Title: Merlin 5 Audio	
File: merlin5a.sch	
Rev: 03-1995	Sheet: 1 of 2
D&R Electronics B.V.	
Desig. D. de Rijk	

D&R Ripkade 15b
1362 DS The Netherlands
Phone: 020-224-880/4
Fax: 020-4168857



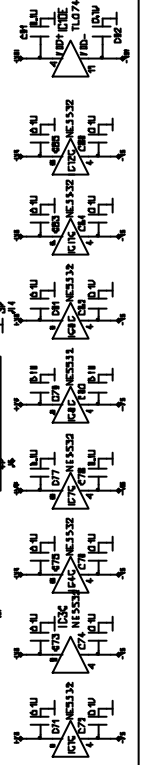
Project		MERLIN	
Title		Merlin 5 Audio	
File		merlin5a.sch	
Date		03-1995	
Sheet		1 of 2	
Design		D. de Rijk	
Company		D&R Electronica B.V.	
Address		Rijksweg 15b 1382 DS The Netherlands Phone: 0294-468014 Fax: 0294-468857	
Revision		A	

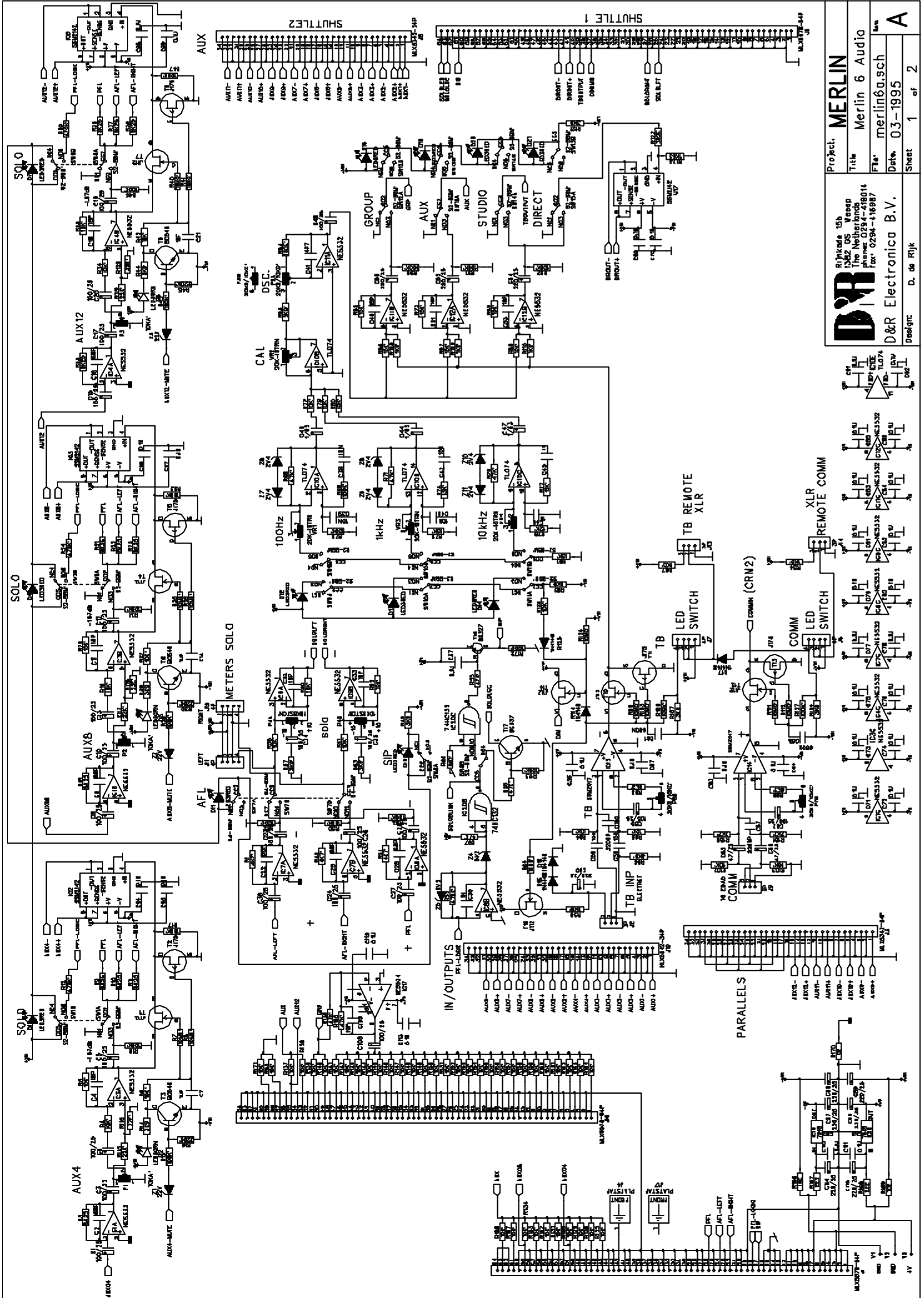


	Project: MERLIN
	Title: Merlin 6 Audio
	File: merlin6a.sch
	Date: 03-1995
Designt: D. de Rijk	Sheet: 1 of 2

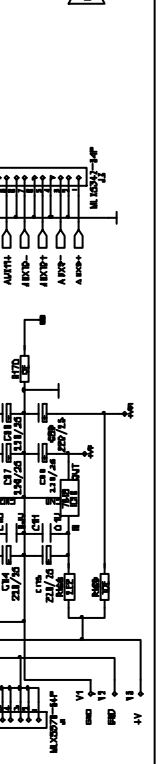
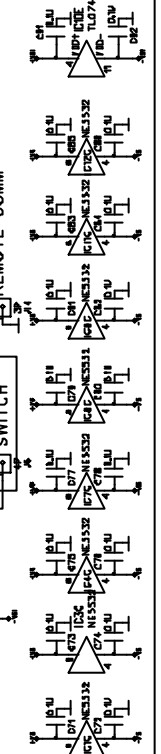
Bijkna 154
3362 DS
The Netherlands
phone: 0294-418014
fax: 0294-419887

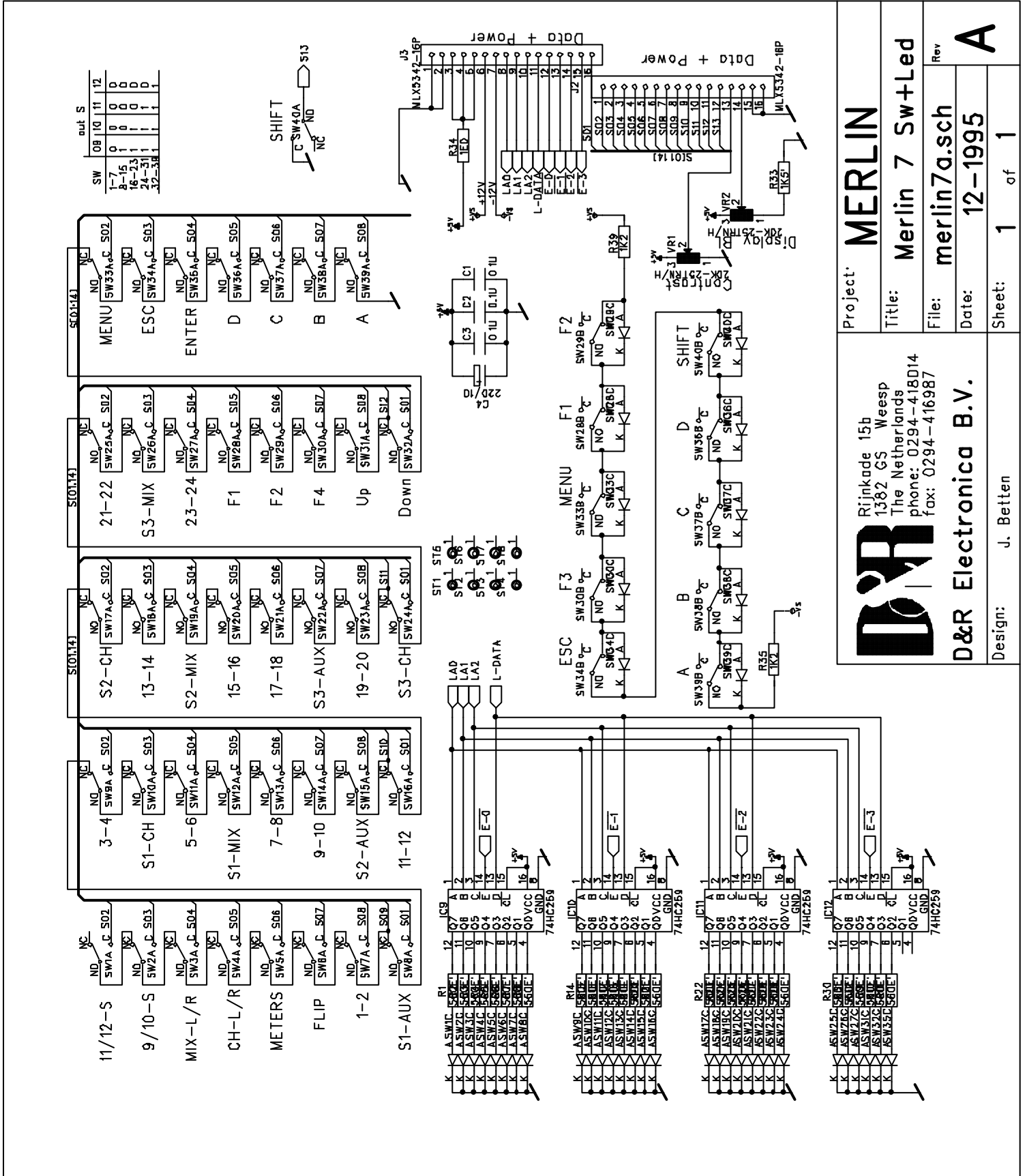
D&R Electronica B.V.





D&R Dutch Electronic B.V. Deeswijk D. de Rijk	Project: MERLIN
	Title: Merlin 6 Audio
	File: merlin6a.sch
	Date: 03-1995
Sheet 1 of 2	





Project: **MERLIN**

Title: **Merlin 7 Sw+Led**

File: **merlin7a.sch**

Date: **12-1995**

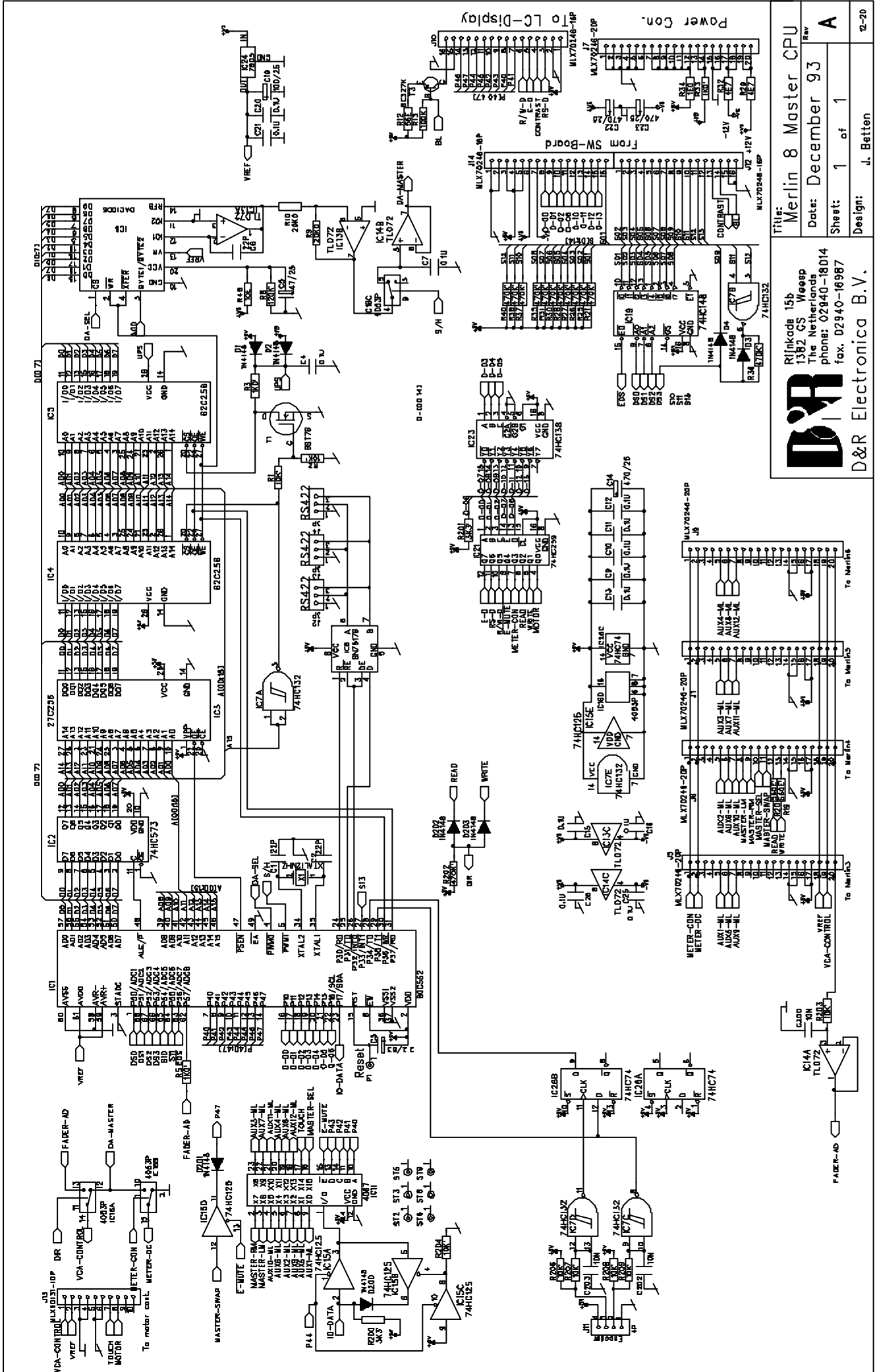
Sheet: **1 of 1**

Design: **J. Betten**

Rijnkade 15b
1382 GS Weesp
The Netherlands
phone: 0294-418014
fax: 0294-416987

D&R **Electronica B.V.**

Rev **A**



D&R

Rijnkade 15b
1382 GS Weesp
The Netherlands
phone: 02940-18014
fax: 02940-10987

D&R Electronica B.V.

Design: J. Batten

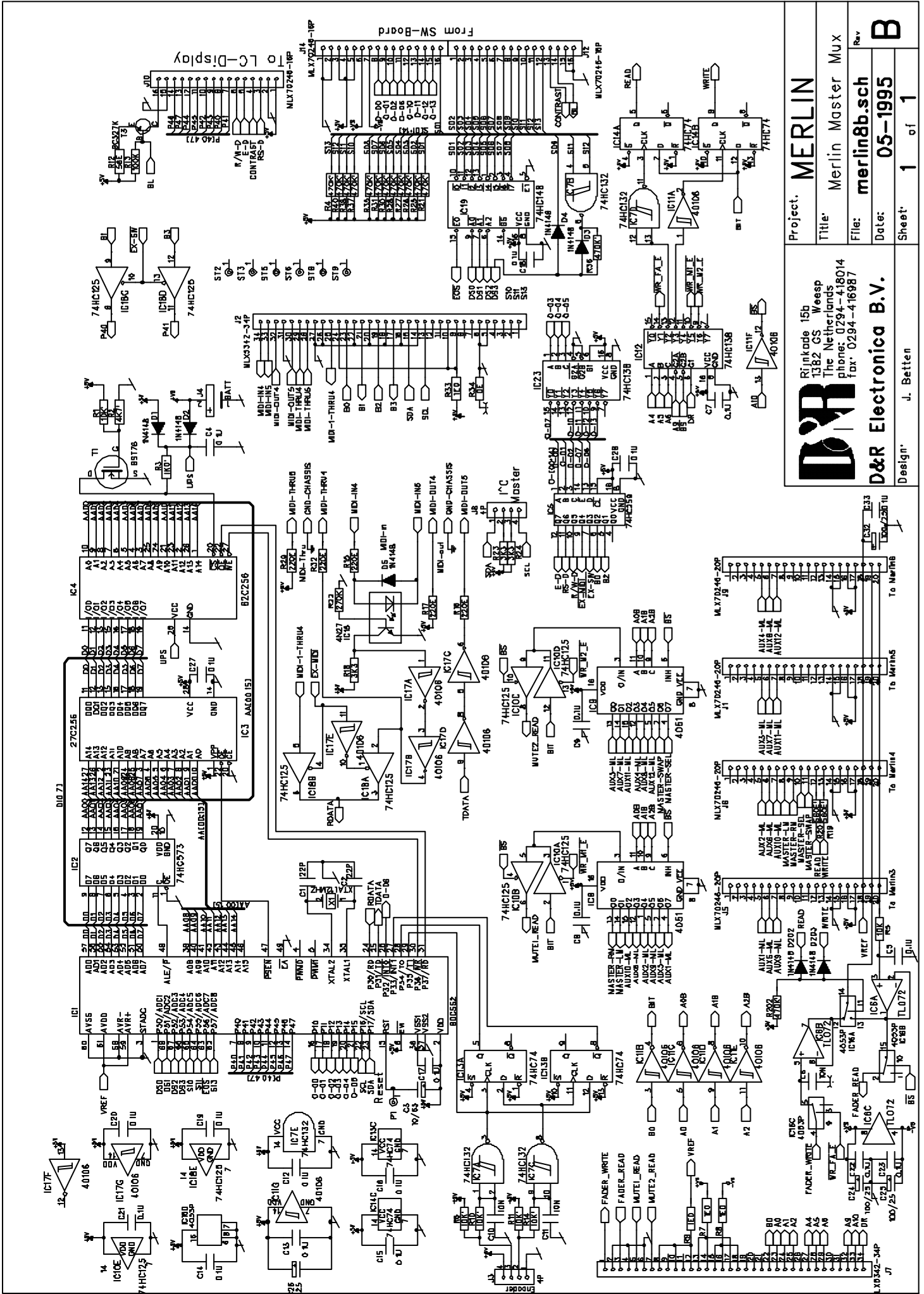
Sheet: 1 of 1

Date: December 93

Rev: A

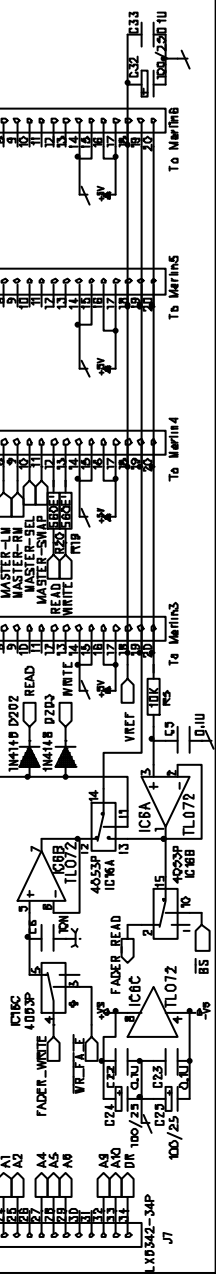
Title: Merlin 8 Master CPU

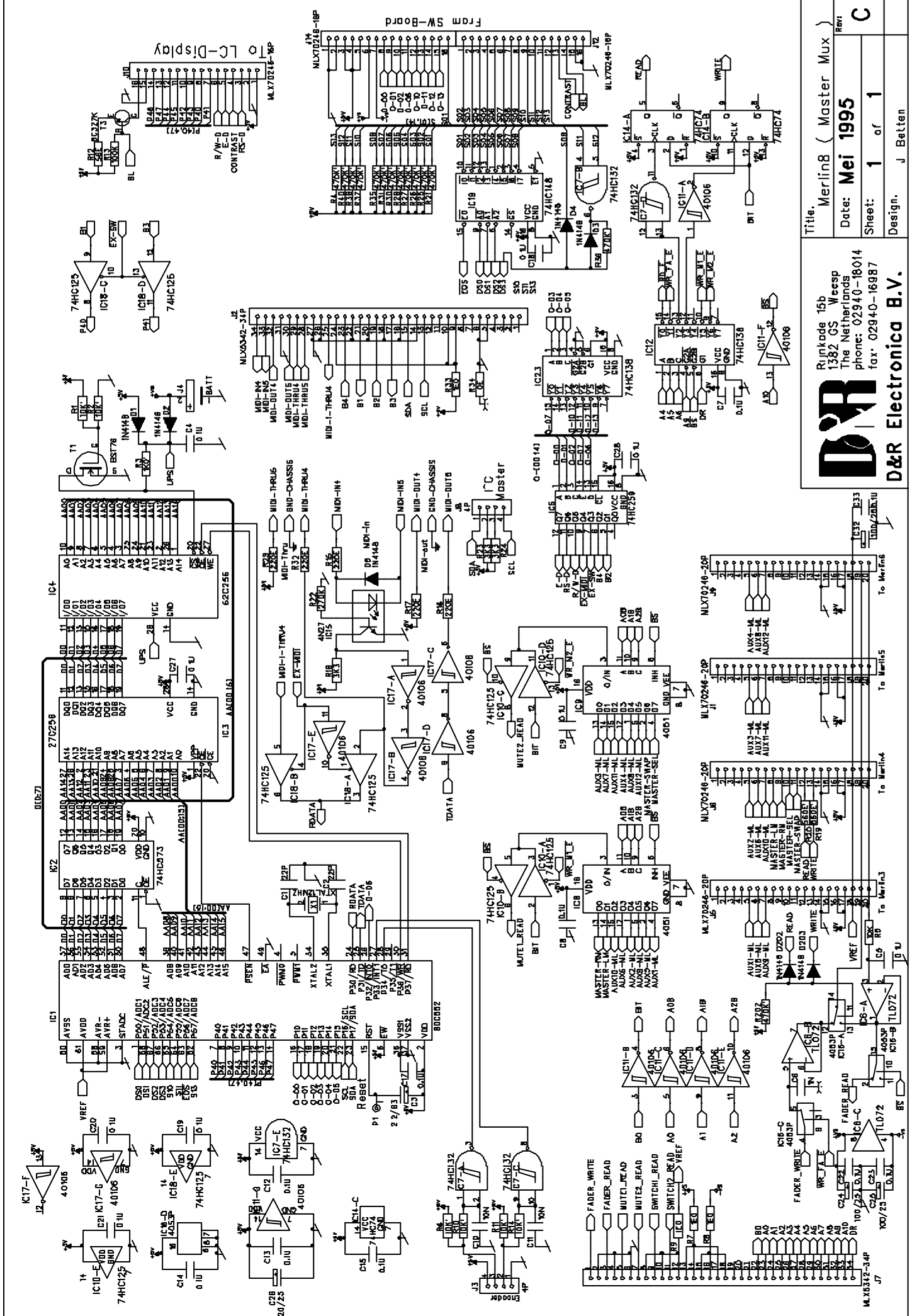
12-20



Project: **MERLIN**
 Title: Merlin Master Mux
 File: merlin8b.sch
 Date: 05-1995
 Sheet: 1 of 1

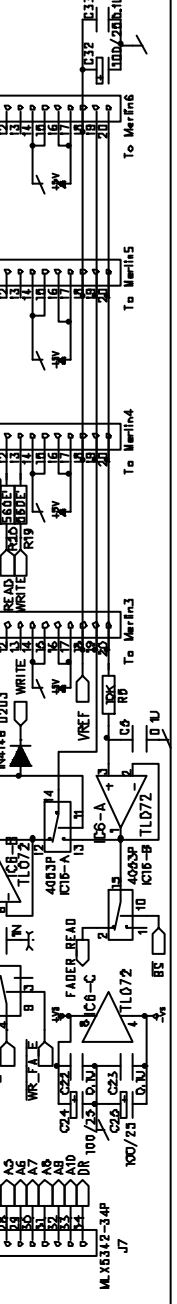
D&R
 Rinkade 15b
 1382 CS
 The Netherlands
 phone: 0294-418014
 fax: 0294-416987
D&R Electronica B.V.
 Design: J. Betten

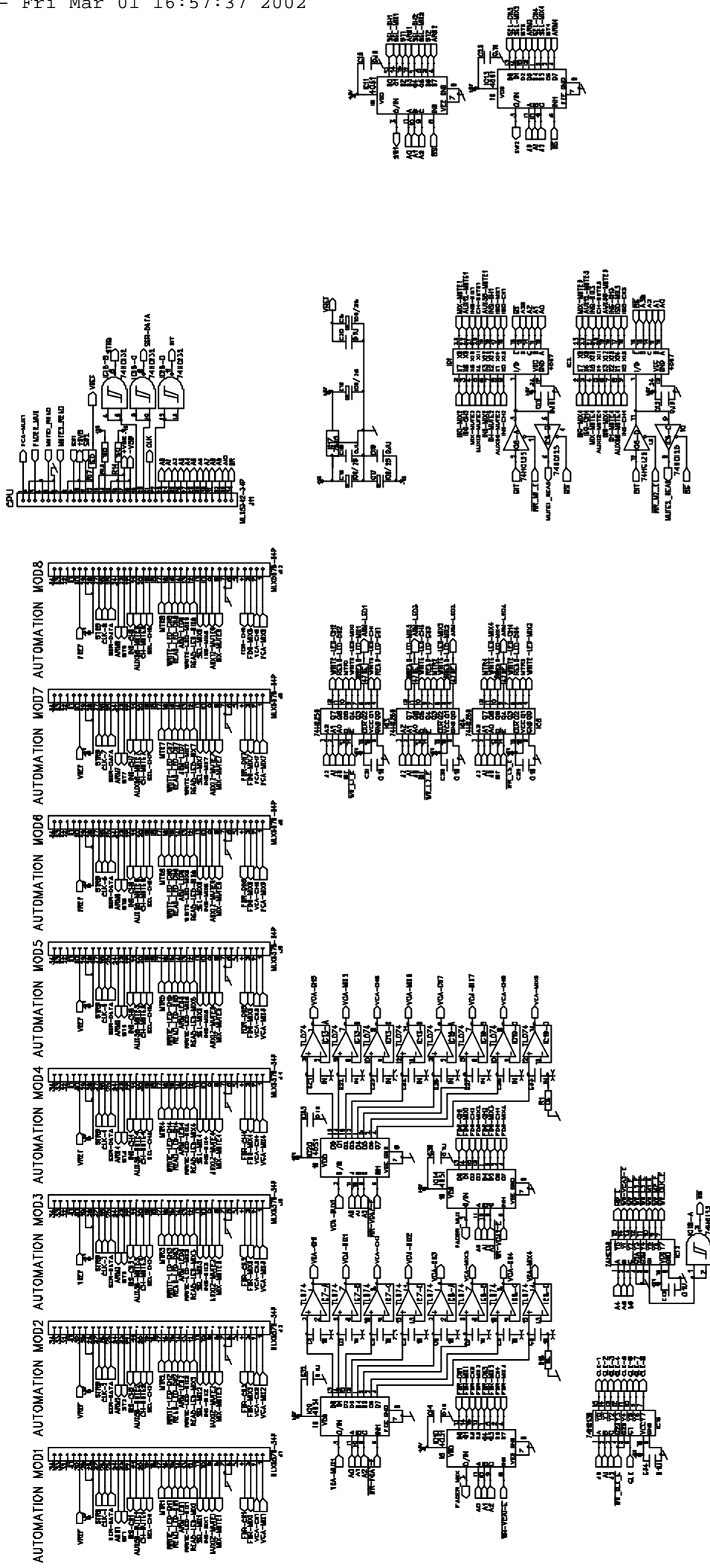


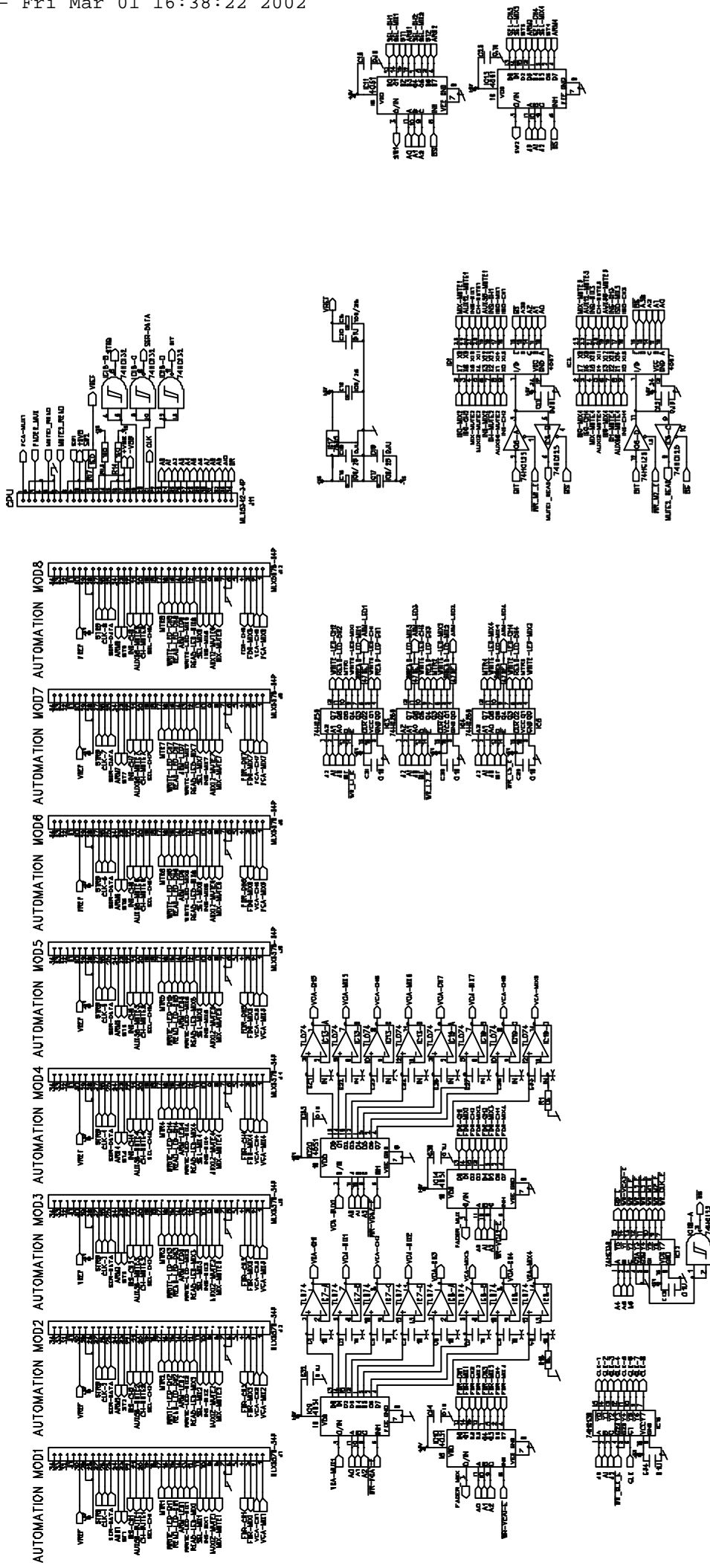


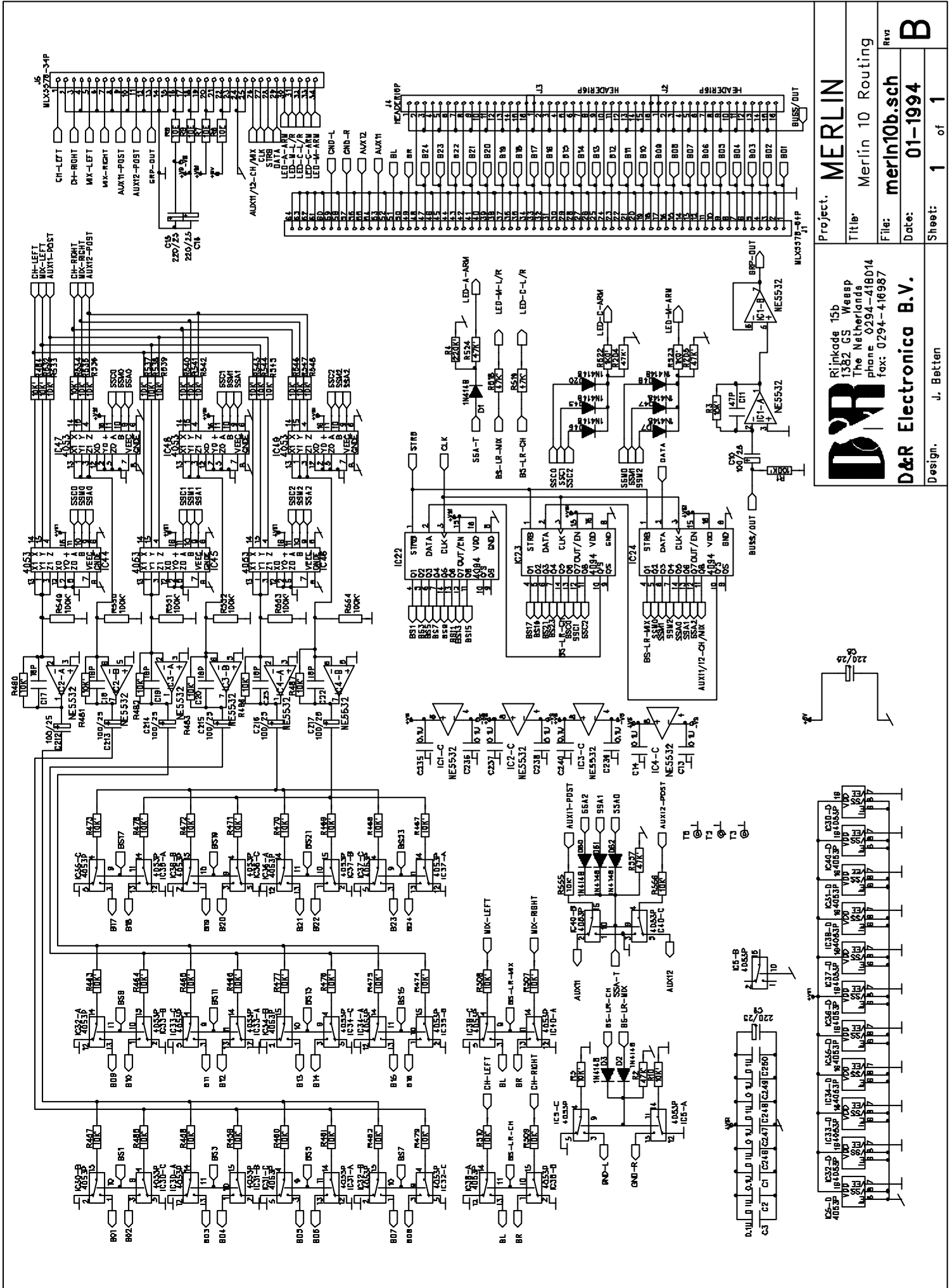
Title: Merlin8 (Master Mux)
 Date: Mei 1995
 Sheet: 1 of 1
 Design: J Beltan

D&R
 Rinkode 15b Weesp
 The Netherlands
 phone: 02940-18014
 fax: 02940-16987
D&R Electronica B.V.





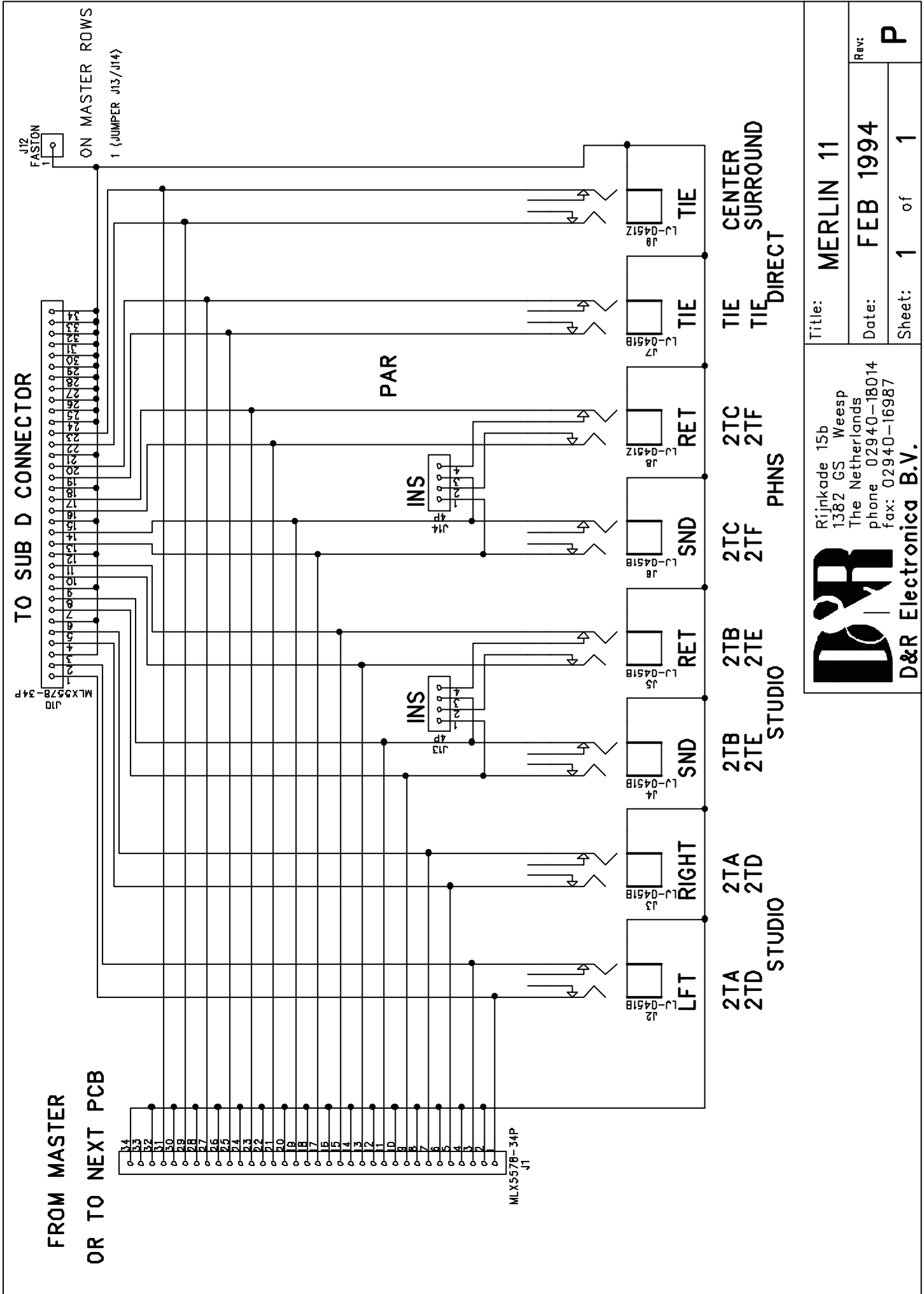





Project: **MERLIN**
 Title: Merlin 10 Routing
 File: merlin10b.sch
 Date: 01-1994
 Sheet: 1 of 1

Rinkade 15b
 1382 GS Weesp
 The Netherlands
 phone: 0294-416014
 fax: 0294-416987

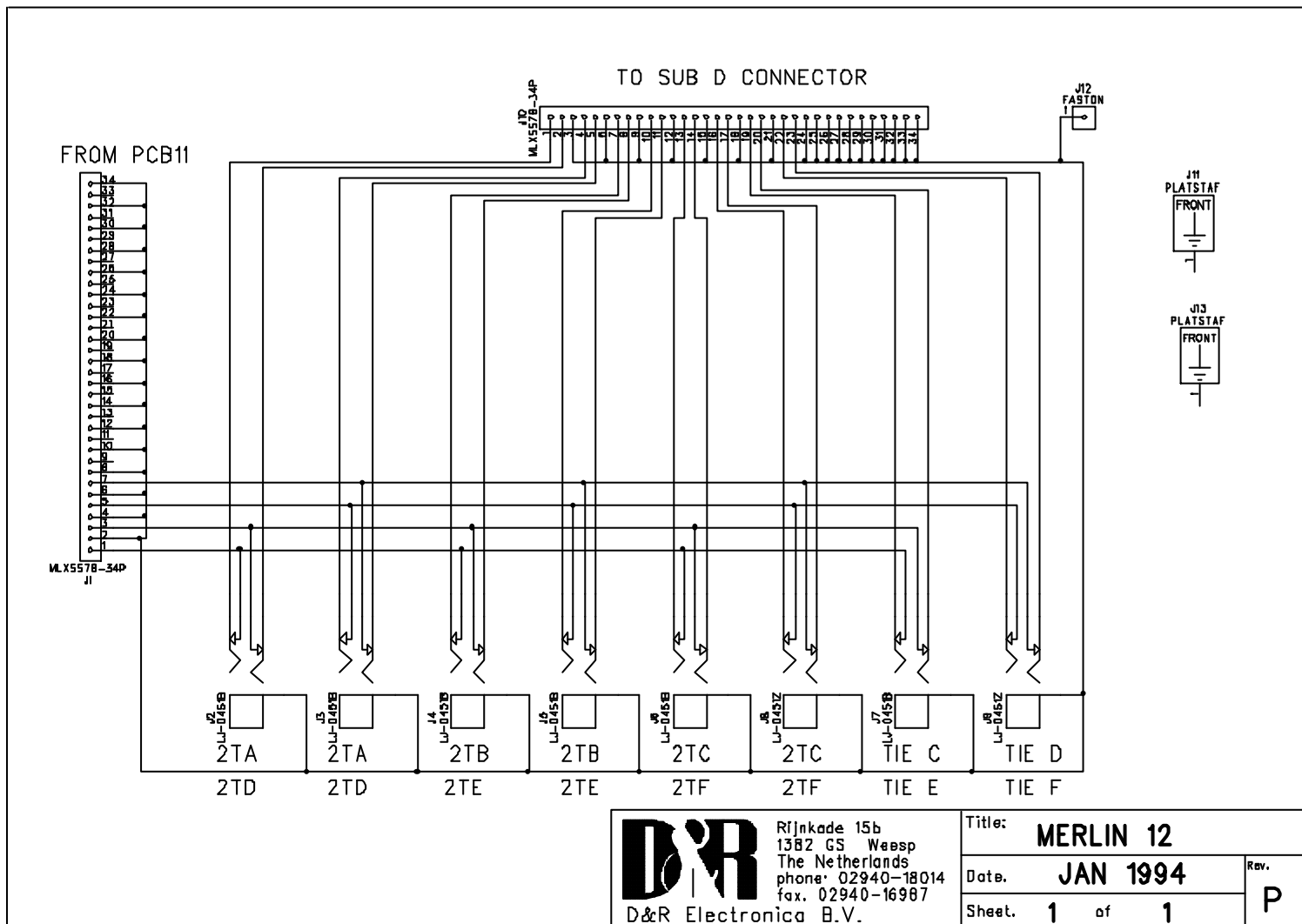
D&R
 Design: J. Batten
 D&R Electronica B.V.

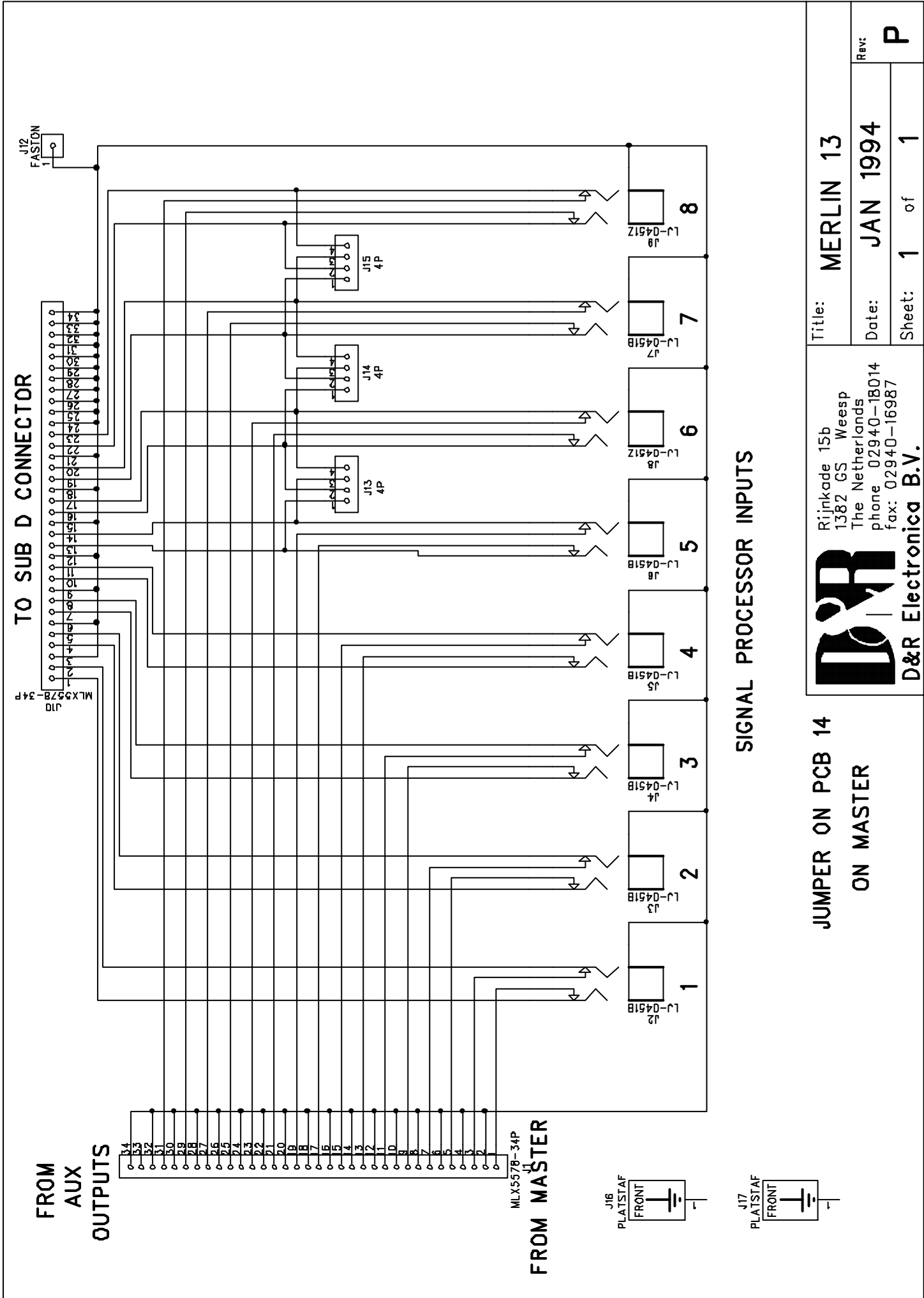


Title: **MERLIN 11**
 Date: **FEB 1994**
 Sheet: **1** of **1**


 Rijnkade 15b
 1382 GS Weesp
 The Netherlands
 phone 02940-18014
 fax: 02940-16987
D&R Electronica B.V.

Rev: **P**



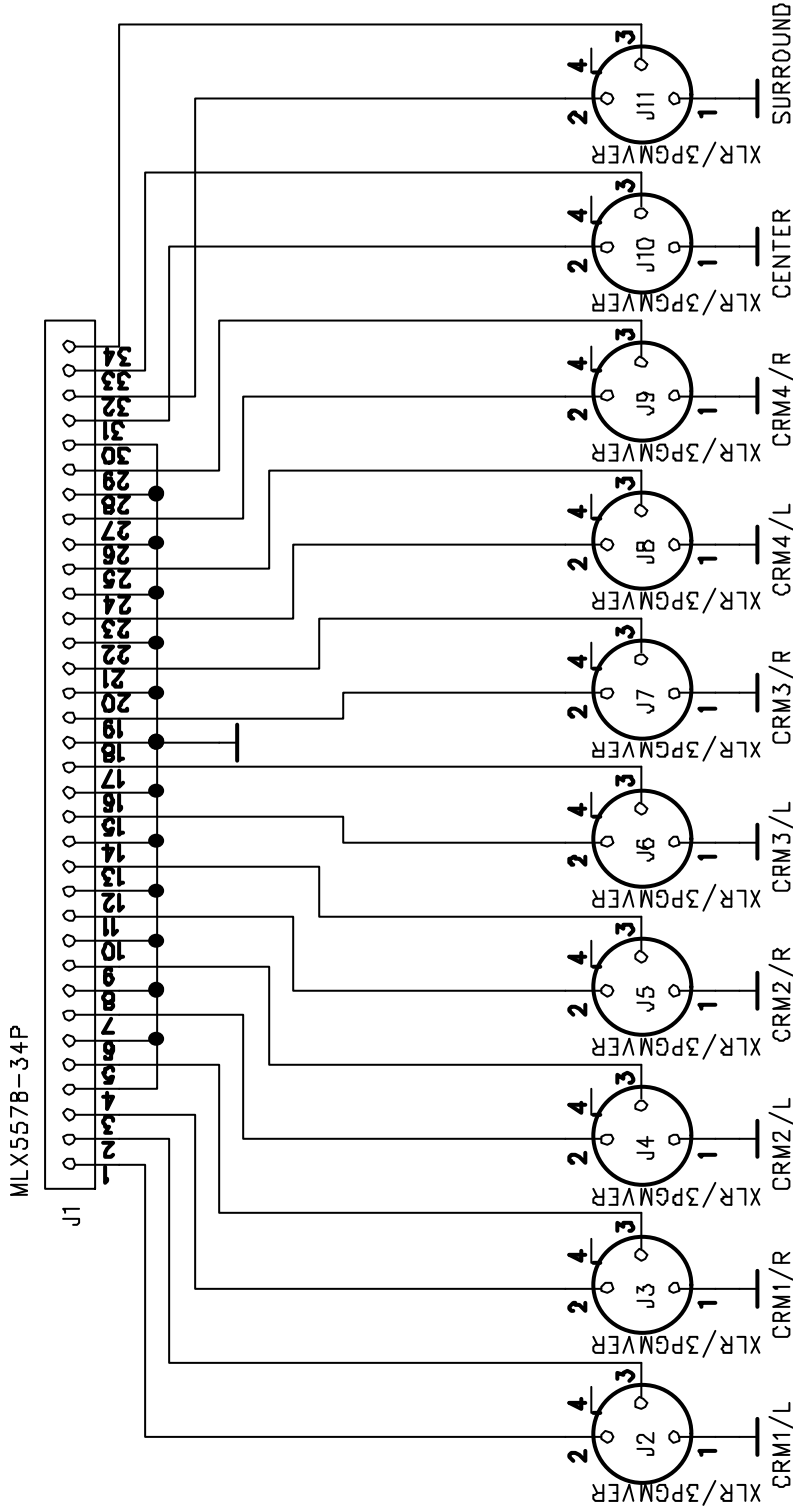


**JUMPER ON PCB 14
ON MASTER**


D&R
 Rijnkade 15b
 1382 GS Weesp
 The Netherlands
 phone 02940-18014
 fax: 02940-16987
D&R Electronica B.V.

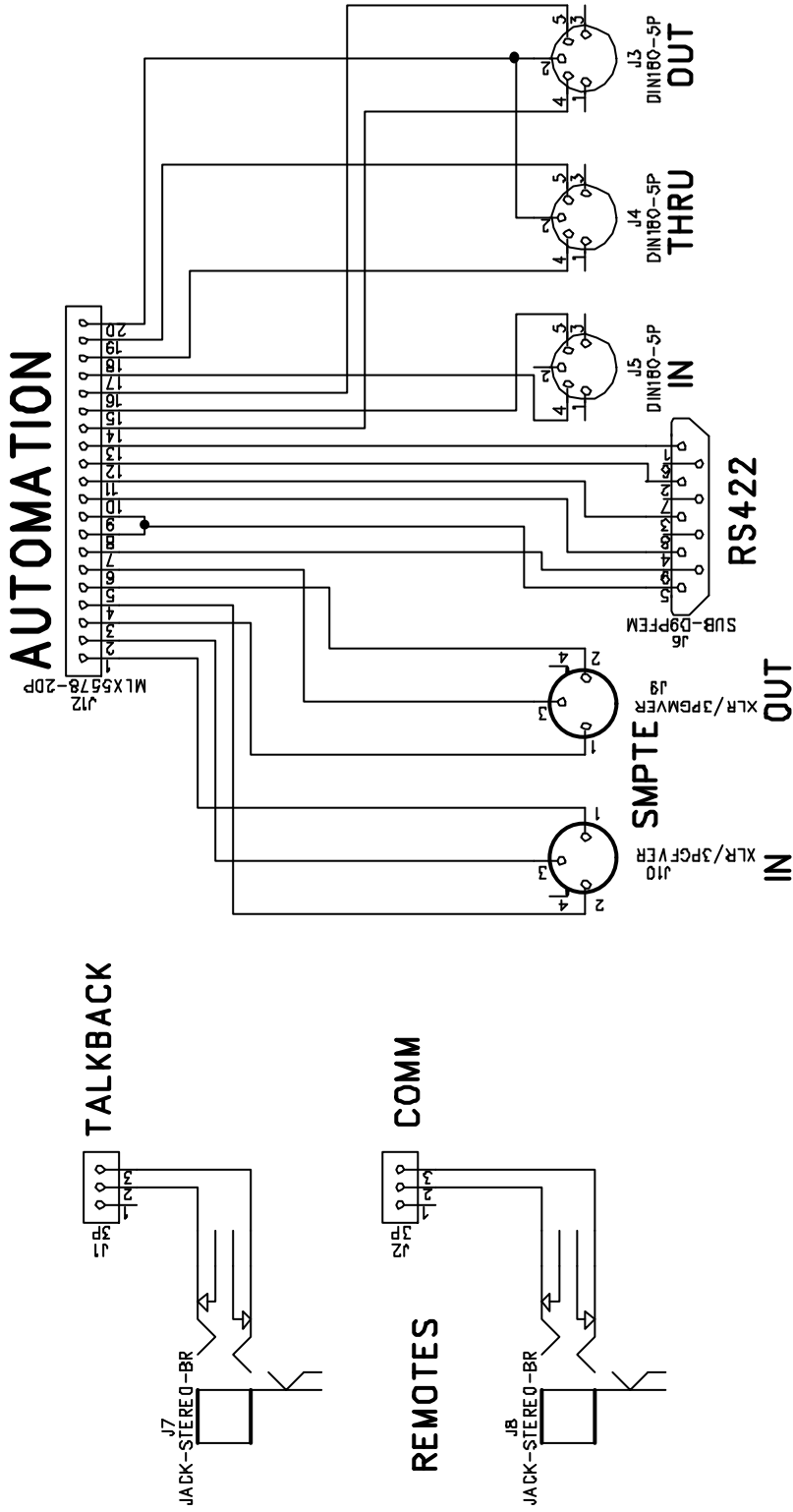
Title: **MERLIN 13**
 Date: **JAN 1994**
 Sheet: **1** of **1**


Rev: **P**



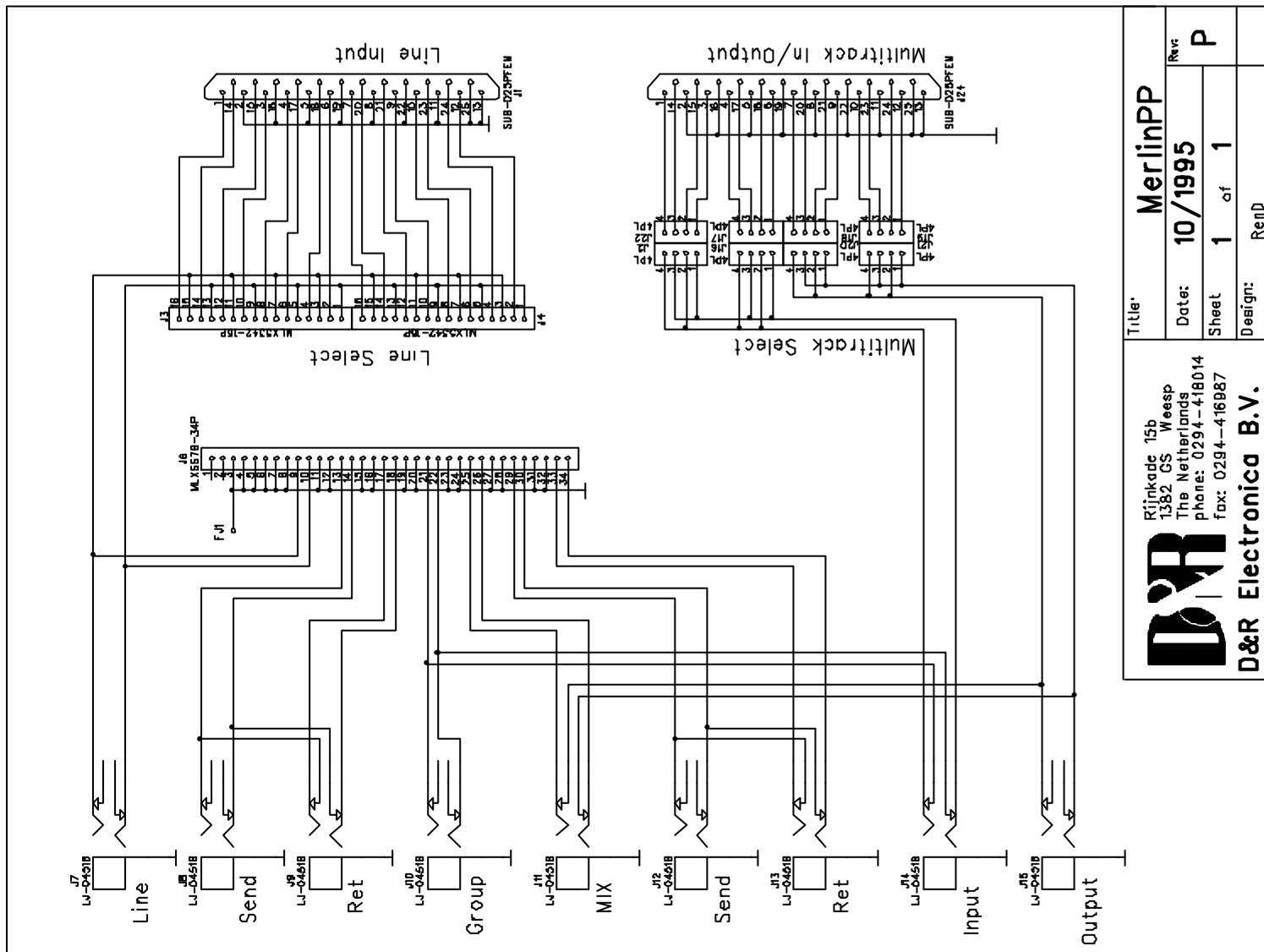
CONTROL ROOM MONITOR OUTPUTS

Title: MERLIN 14		Rev:
Date: FEB 1994		P
Sheet: 1 of 1		
 Rijnkade 15b 1382 GS Weesp The Netherlands phone: 02940-18014 fax: 02940-16987 D&R Electronica B.V.		



		Title: MERLIN 15	
		Rijinkade 15b 1382 GS Weesp The Netherlands phone: 02940-18014 fax: 02940-16987	
Date: FEB 1994		Rev:	
Sheet: 1 of 1		P	

D&R Electronica B.V.

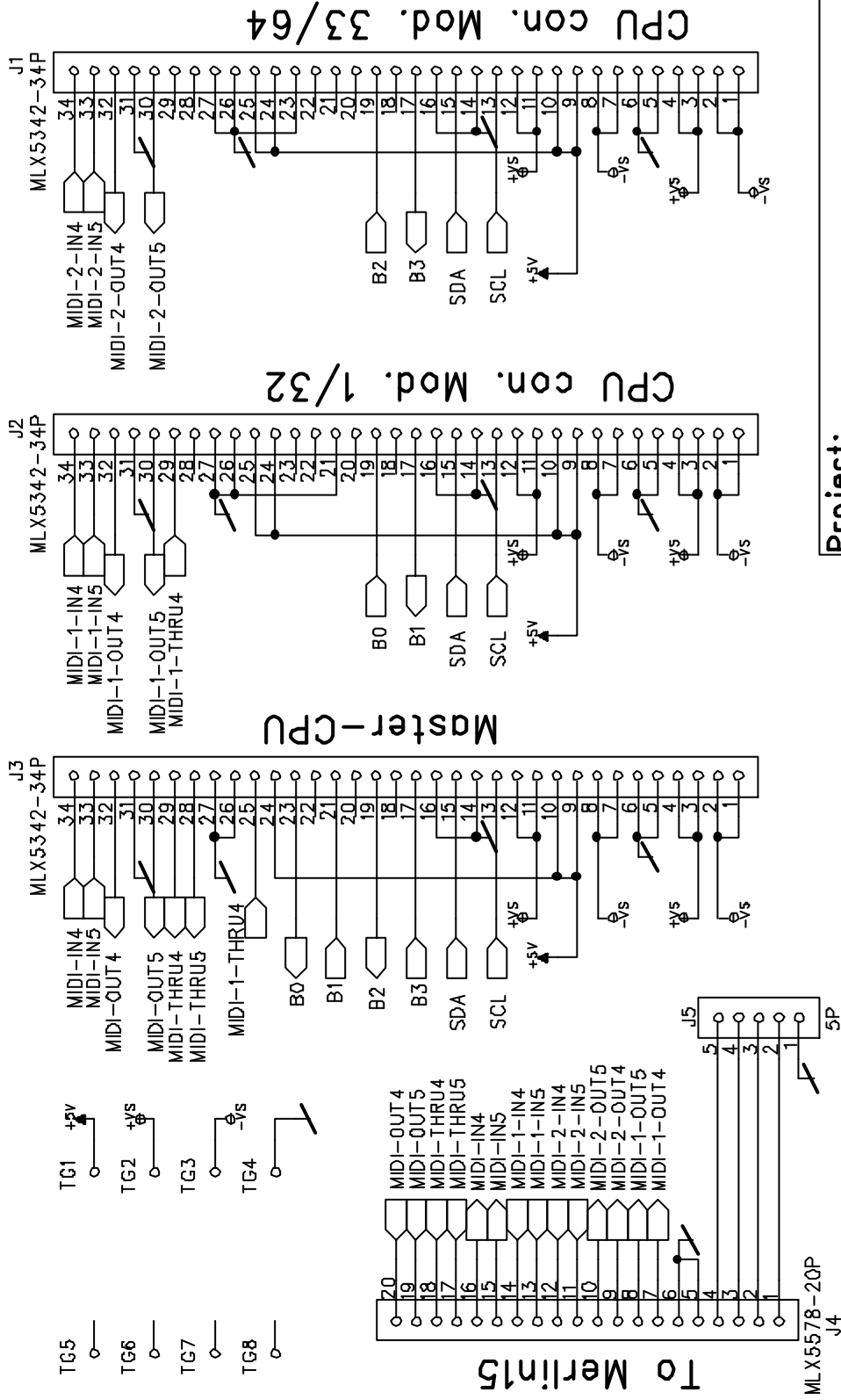


Title: MerlinPP	
Date: 10/1995	Rev: P
Sheet 1 of 1	
Design: RenD	

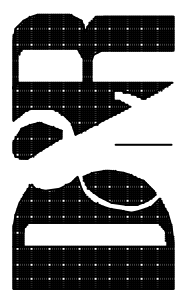
Rijnkade 15b
 1382 GS Weesp
 The Netherlands
 phone: 0294-418014
 fax: 0294-416987



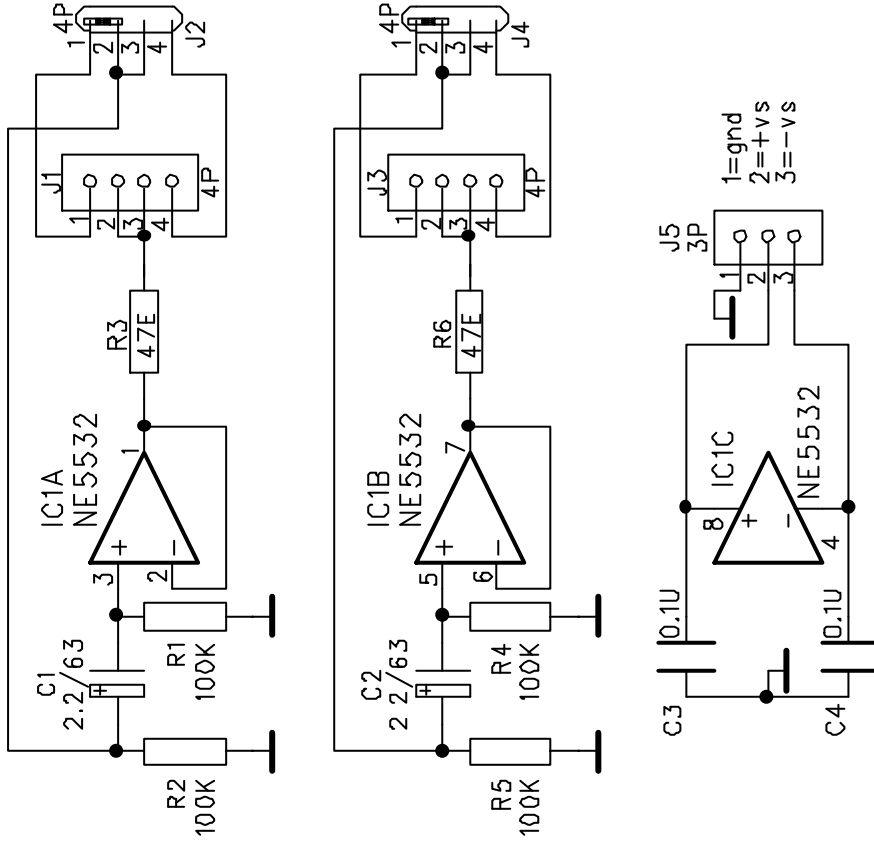
D&R Electronica B.V.



Project: MERLIN	
Title: 16B Mux Distribution	Rev: B
Date: 05-1995	
Sheet: 1 of 1	
Design: J. Betten	



D&R Electronica B.V.
 Rijnkade 15b
 1382 GS Weesp
 The Netherlands
 phone: 0294-418014
 fax: 0294-416987



Title:

Merlin AuxBuffer

Rev.

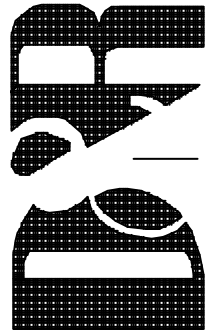
Date: NOV-1994

A

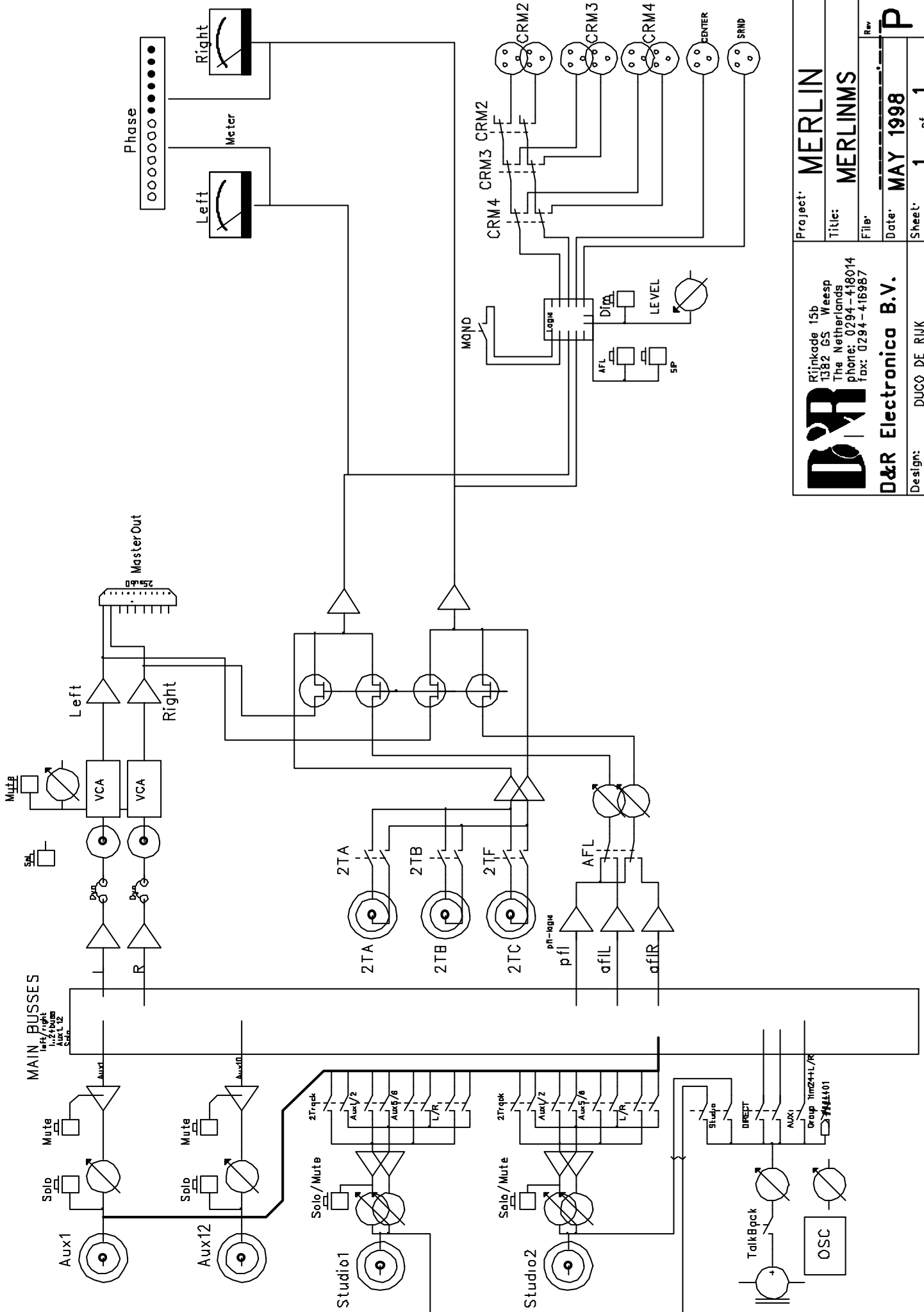
Sheet: of


Design: J Betten

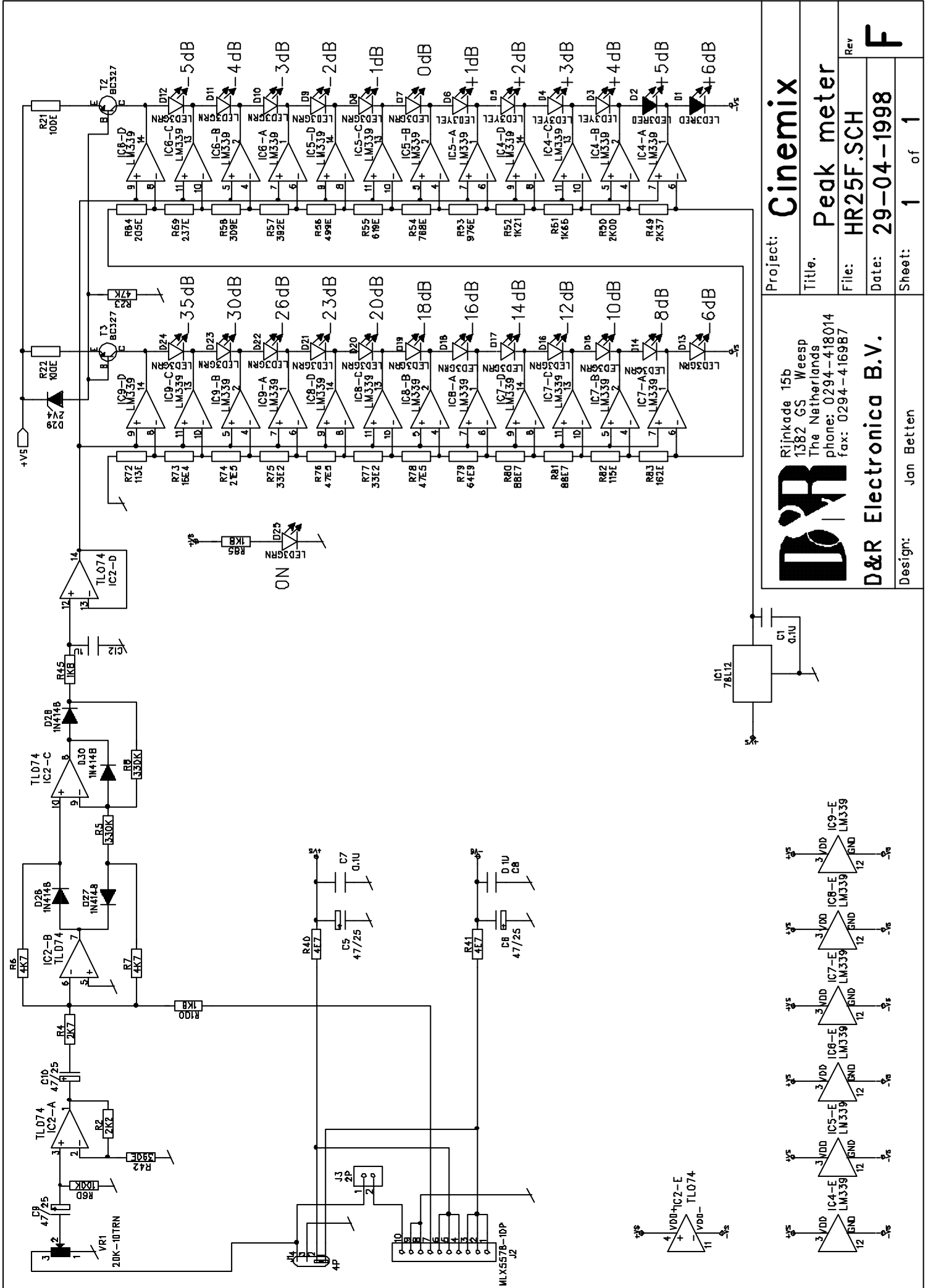
Rijkade 15b
 1382 GS Weesp
 The Netherlands
 phone: 02940-18014
 fax: 02940-16987



D&R Electronics B.V.



 <p>D&R Rijnkade 15b 1382 GS Weesp The Netherlands phone: 0294-418014 fax: 0294-416987</p>	Project: MERLIN
	Title: MERLINMS
	Date: MAY 1998
	Sheet: 1 of 1
Design: DUCO DE RIJK	File: P



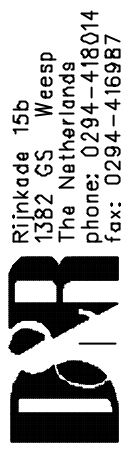
Project: **Cinemix**

Title: **Peak meter**

File: **HR25F.SCH**

Date: **29-04-1998**

Sheet: **1** of **1**

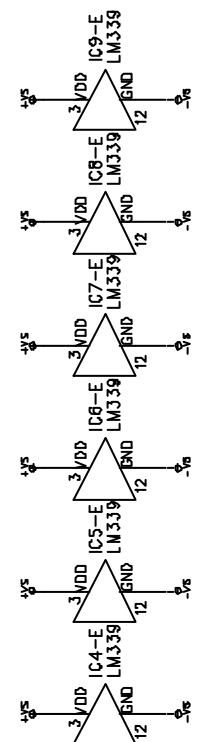


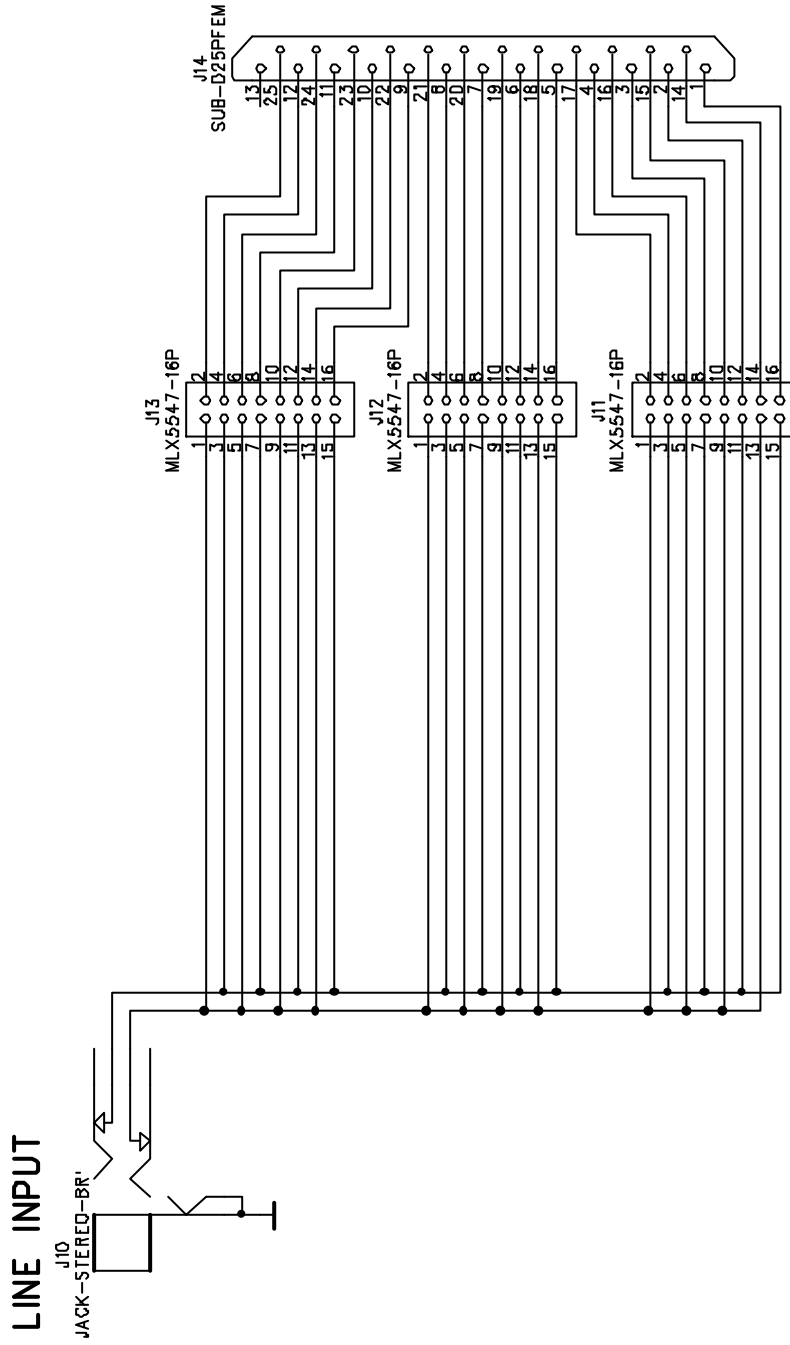
Riinkade 15b
1382 GS Weesp
The Netherlands
phone: 0294-418014
fax: 0294-416987

D&R Electronics B.V.

Design: Jan Betten

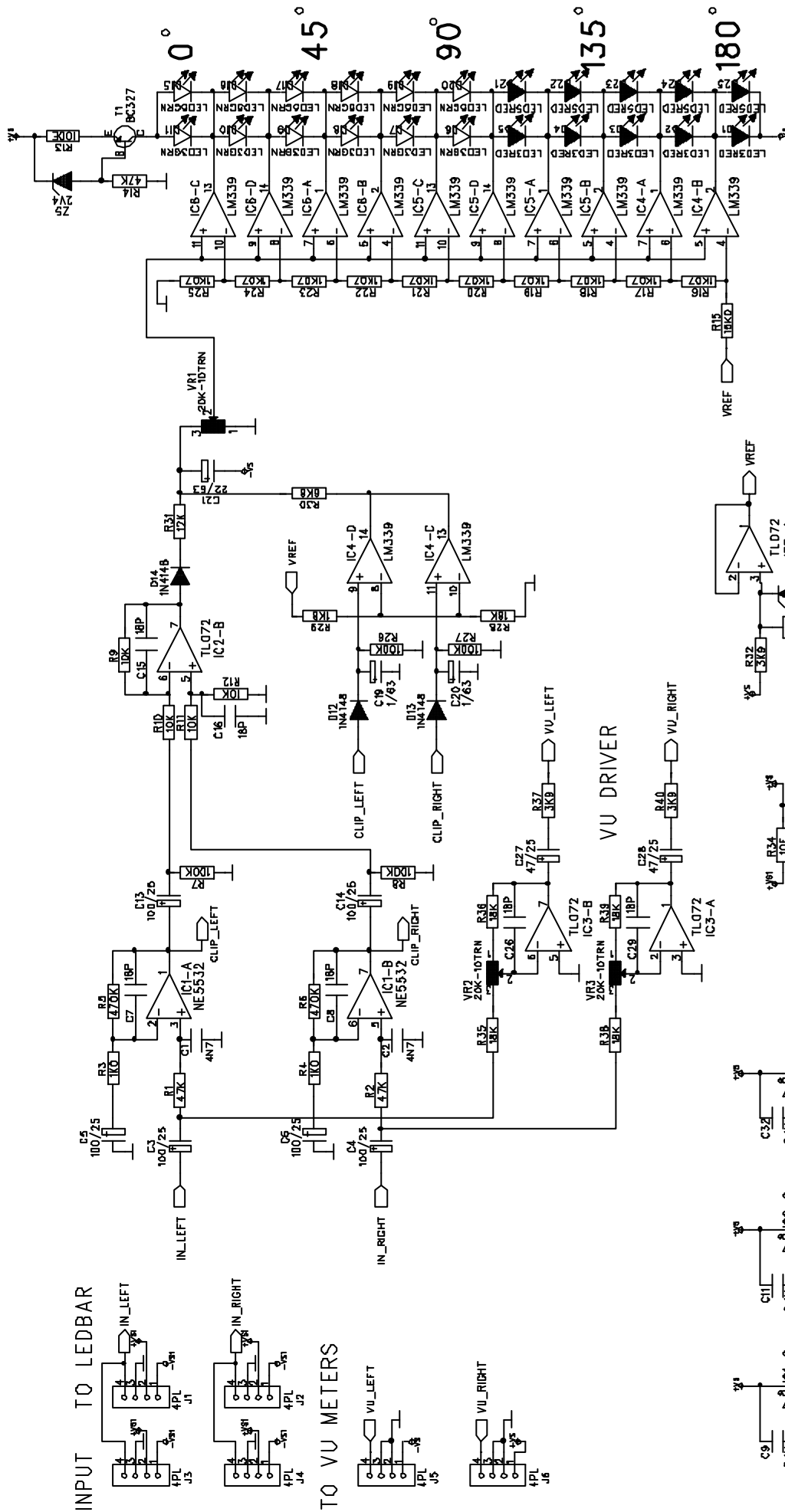
Rev **F**





D&R
 D&R Electronica B.V.
 Rijnkade 15b
 1382 GS Weesp
 The Netherlands
 phone: 02940-18014
 fax: 02940-16987

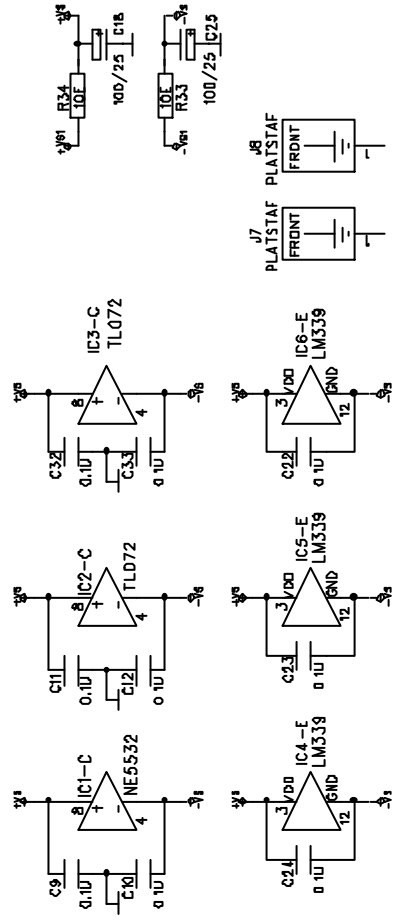
Title: MERLIN chan.inp.PatchPanel	
Date: 22-05-1995	Rev: B
Sheet: 2 of 2	
Designr: -----	



INPUT TO LEDBAR

TO VU METERS

VU DRIVER

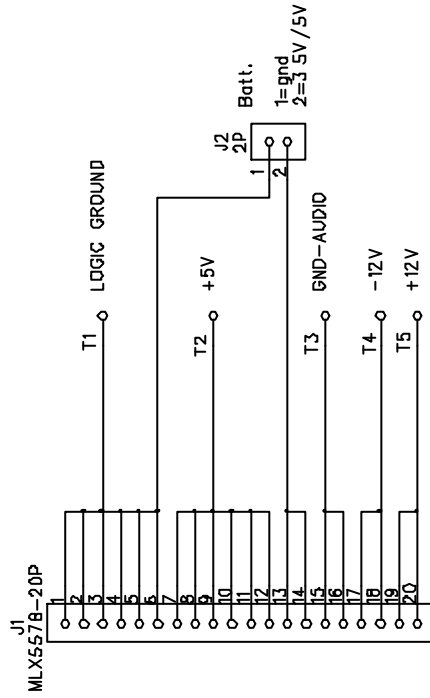


D&R
 Rijnkade 15b
 1382 GS Weesp
 The Netherlands
 phone: 0294-418014
 fax: 0294-416987

D&R Electronica B.V.
 Design E.v.d.Krans

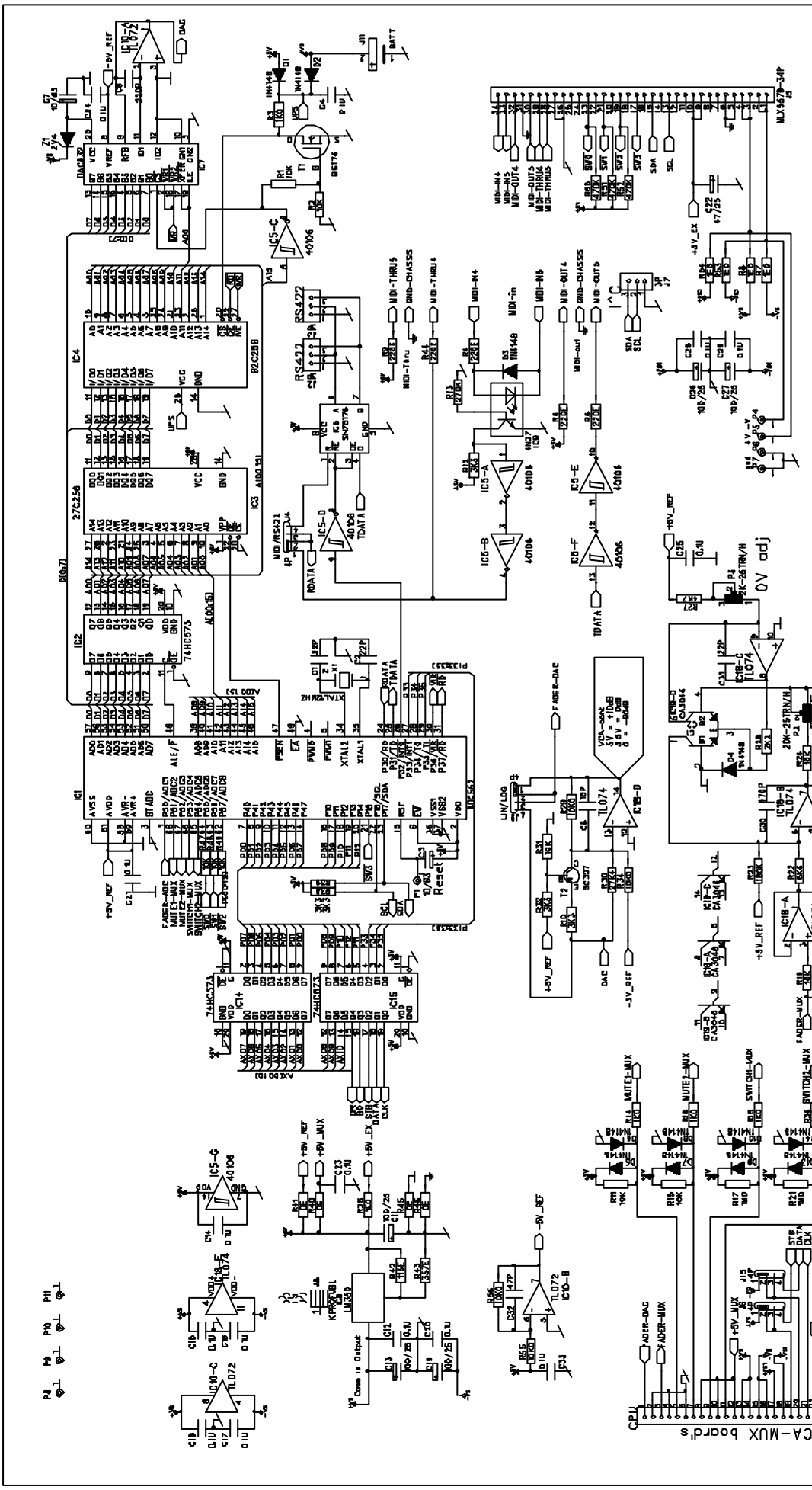
Project: **Phasemeter**
 Title: **Phase**
 File: **PHASE.SCH**
 Date: **12-02-1996**
 Sheet: **1** of **1**


Rev.
B



D&R
Rijnkade 15b
1382 GS Weesp
The Netherlands
phone: 02940-18014
fax: 02940-16987
D&R Electronica B.V.

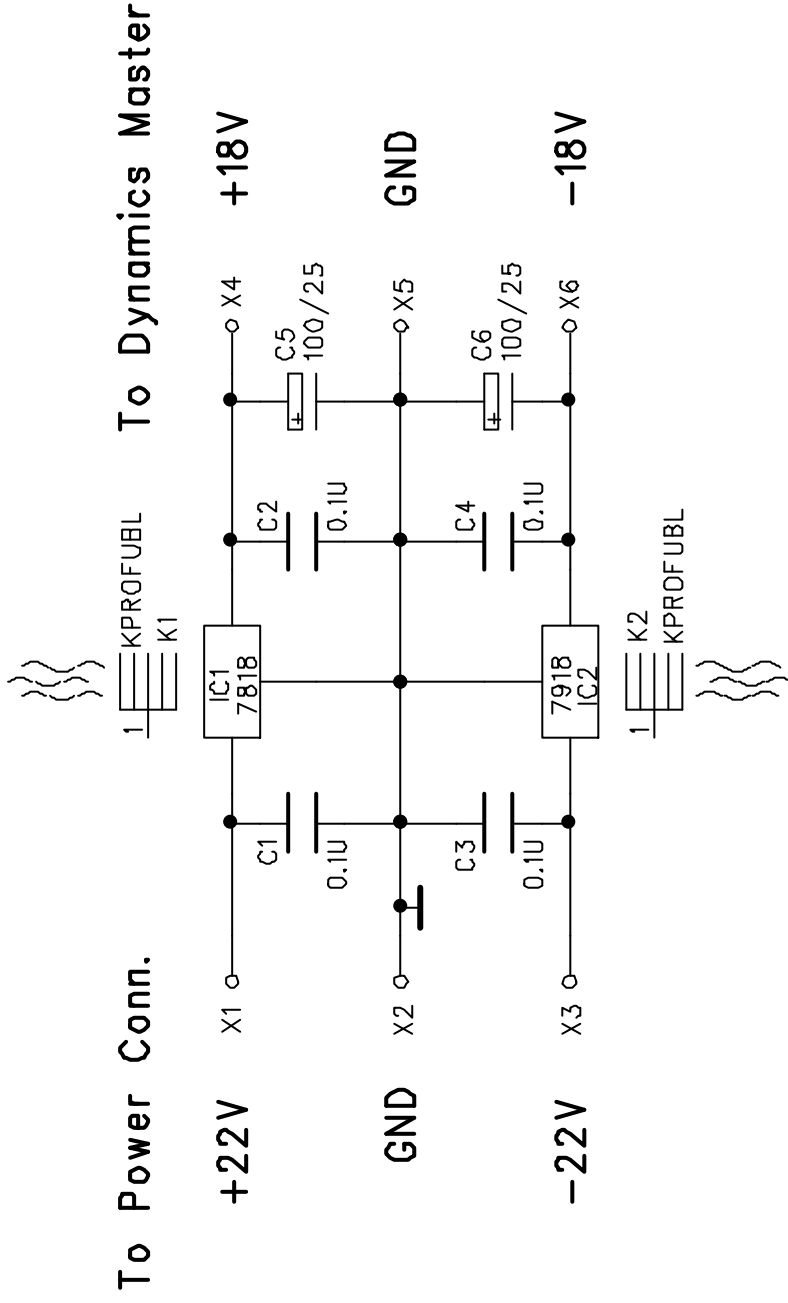
Title: Merlin Power	
Date: 02-02-1995	Rev: P
Sheet: 1	of 1
Design: Peter en Jan	



		Project: MERLIN Title: VCA CPU File: vcacpu1d.sch Date: 01-1995 Sheet: 1 of 1	
Rijnkade 15b 1352 GS Weesp The Netherlands phone 0294-418014 fax: 0284-418987		Design: J Batten	
Rev. A			

To B VCA-MUX boards

MLX5041-3K-P



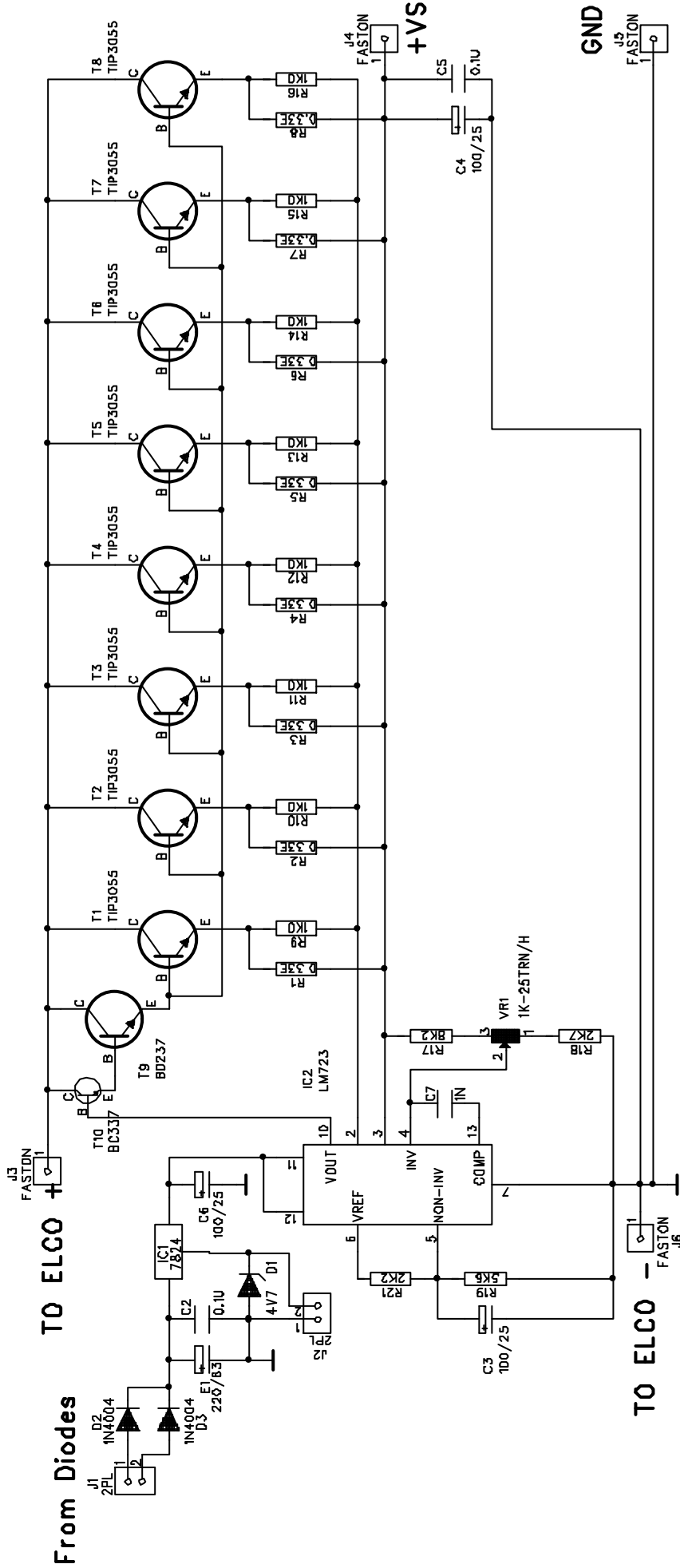
X7 ○
 X8 ○
 X9 ○
 X10 ○


D&R
 Rijnkade 15b
 1382 GS Weesp
 The Netherlands
 phone: 0294-418014
 fax: 0294-416987

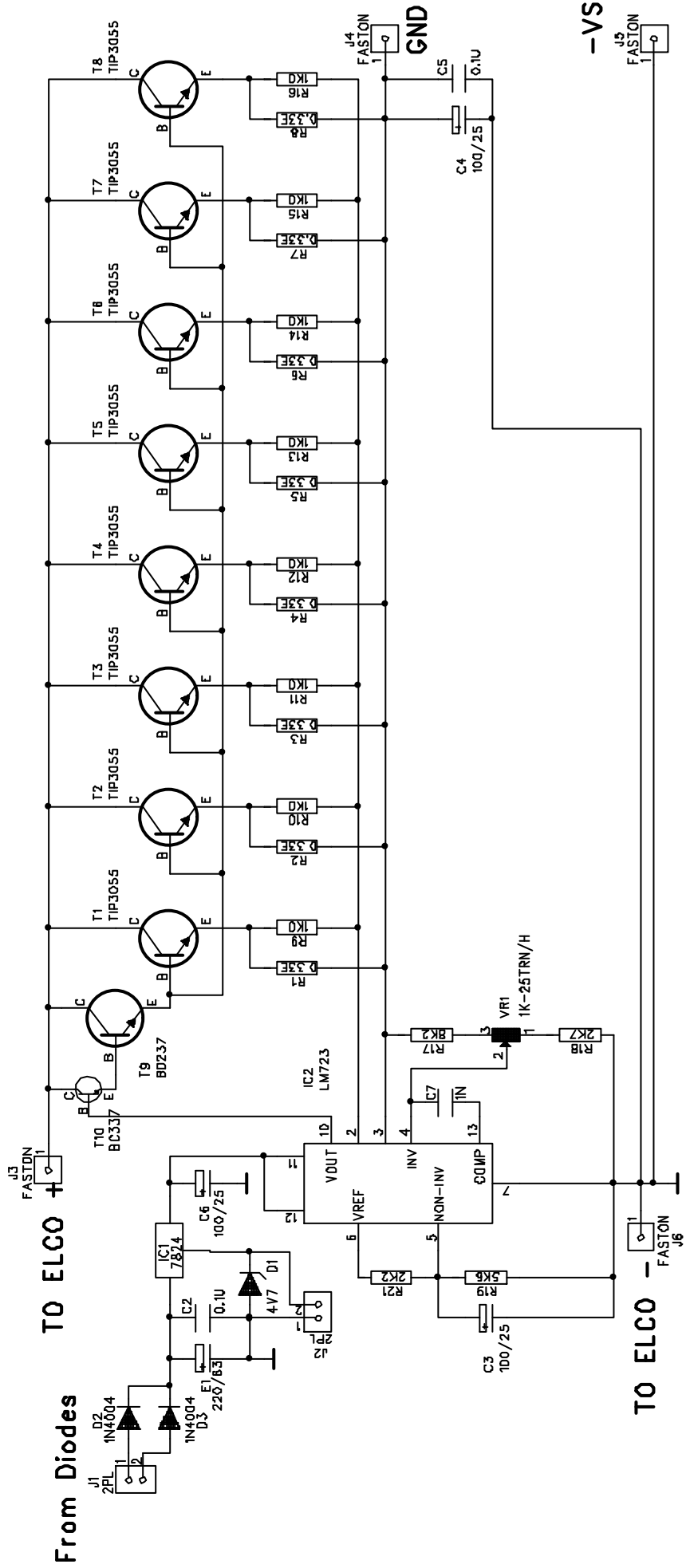
Project: Merlin Dyn	
Title: Power Distr.	
File: merldyn.sch	Rev: P
Date: 09-04-1997	
Sheet: 1	of 1

Design: E.v.d.Krans

D&R Electronics B.V.



		Project: Power Supply	
		Title: PSL Pos.	
Rijnkade 15b 1382 GS Weesp The Netherlands phone: 0294-418014 fax: 0294-416987		File: psl.sch	Rev: P
D&R Electronica B.V.		Date: 20-09-1996	Sheet: 1 of 1
Design: -----			

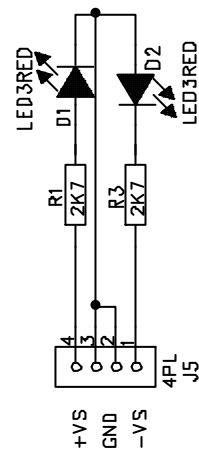
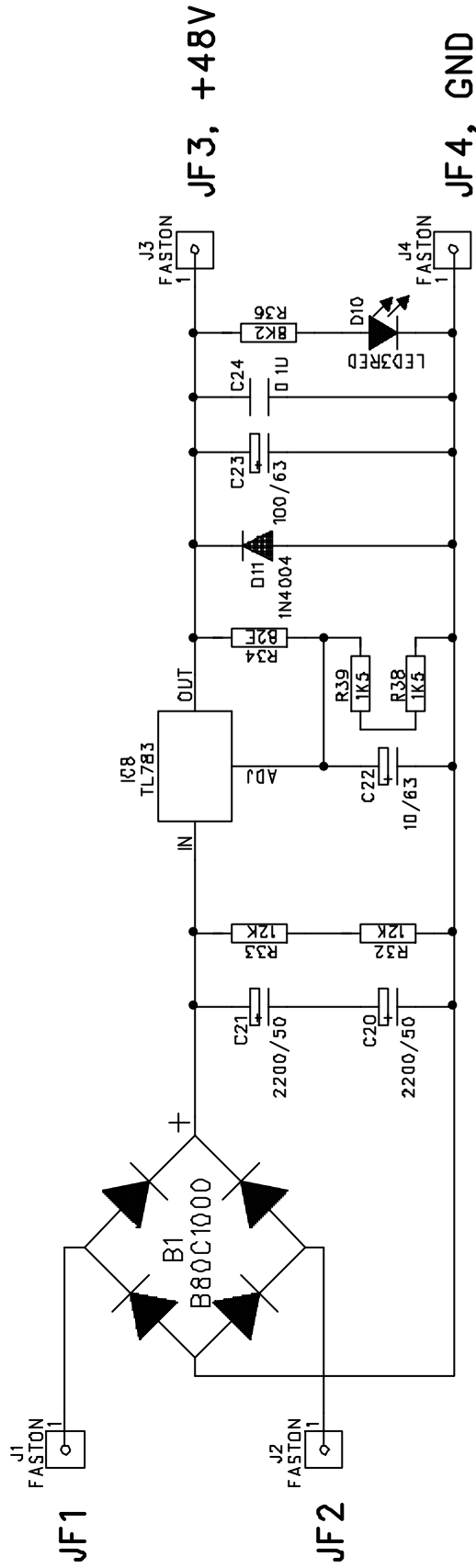


Project: Power Supply	
Title: PSR Neg.	
File: psr.sch	Rev: P
Date: 20-09-1996	
Sheet: 1	of 1

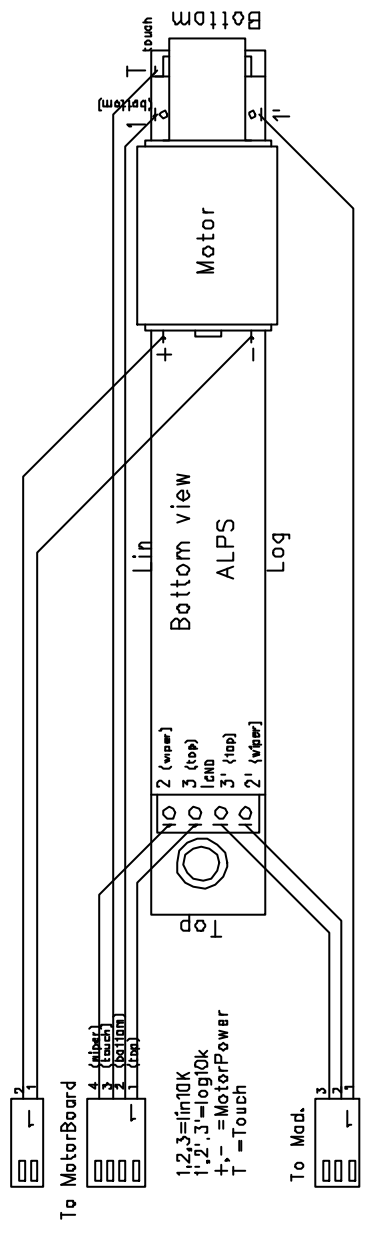
D&R
 Rijnkade 15b
 1382 GS Weesp
 The Netherlands
 phone: 0294-418014
 fax: 0294-416987


D&R Electronica B.V.

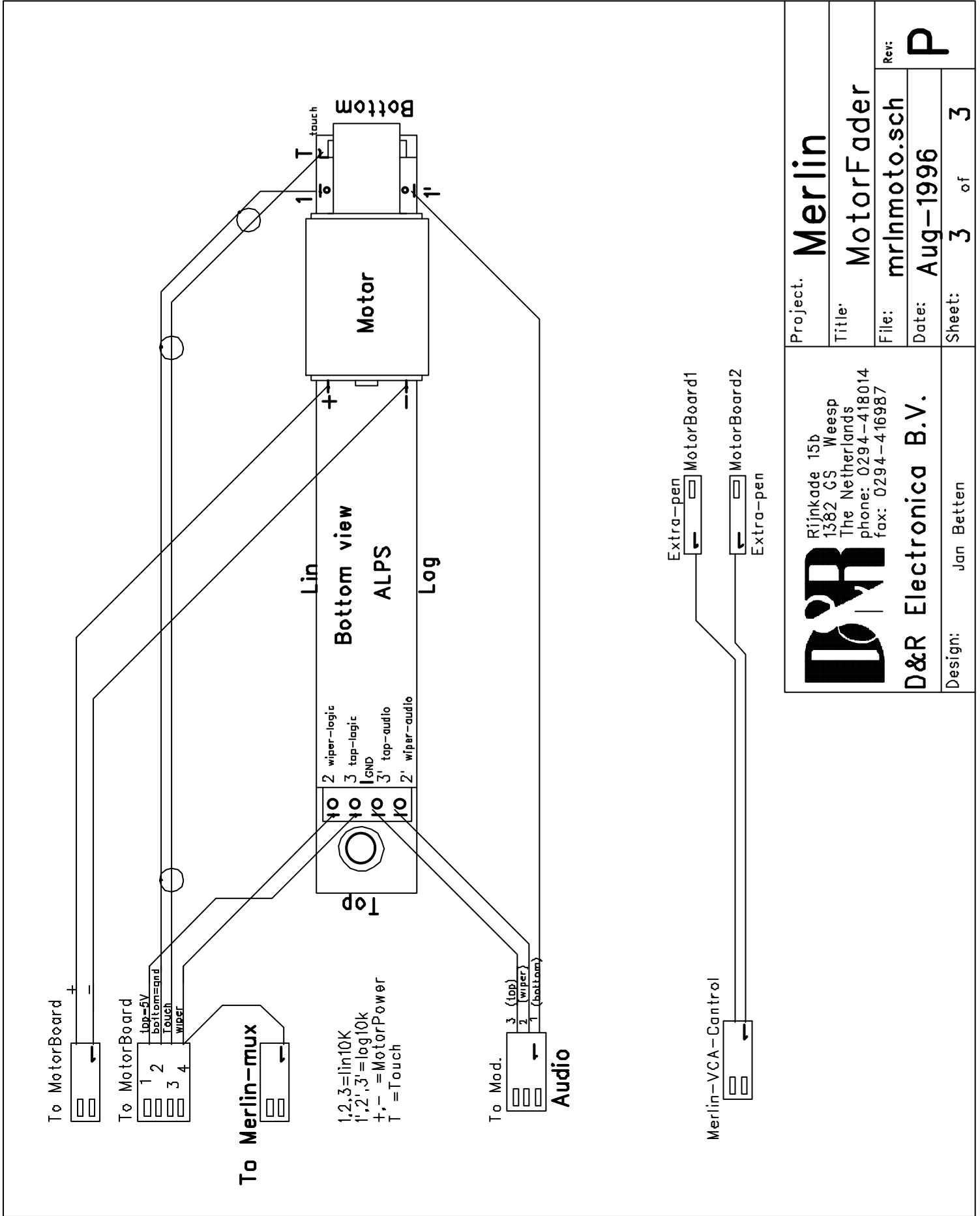
Design: -----



Project: Power Supply		Rijnkade 15b	
Title: PS Phantom		1382 GS Weesp	
File: ps48.sch		The Netherlands	
Date: 20-09-1996		phone: 0294-418014	
Sheet: 1 of 1		fax: 0294-416987	
Rev: P		D&R	
		D&R Electronica B.V.	
Design: -----			



		Project. Rijnkade 15b 1382 GS Weesp The Netherlands phone: 0294-418014 fax: 0294-416887
D&R Electronica B.V. Designer: -----		Title File: Date: -- -- 1996 Rev: P
Sheet: 1 of 1		Date: -- -- 1996 Rev: P

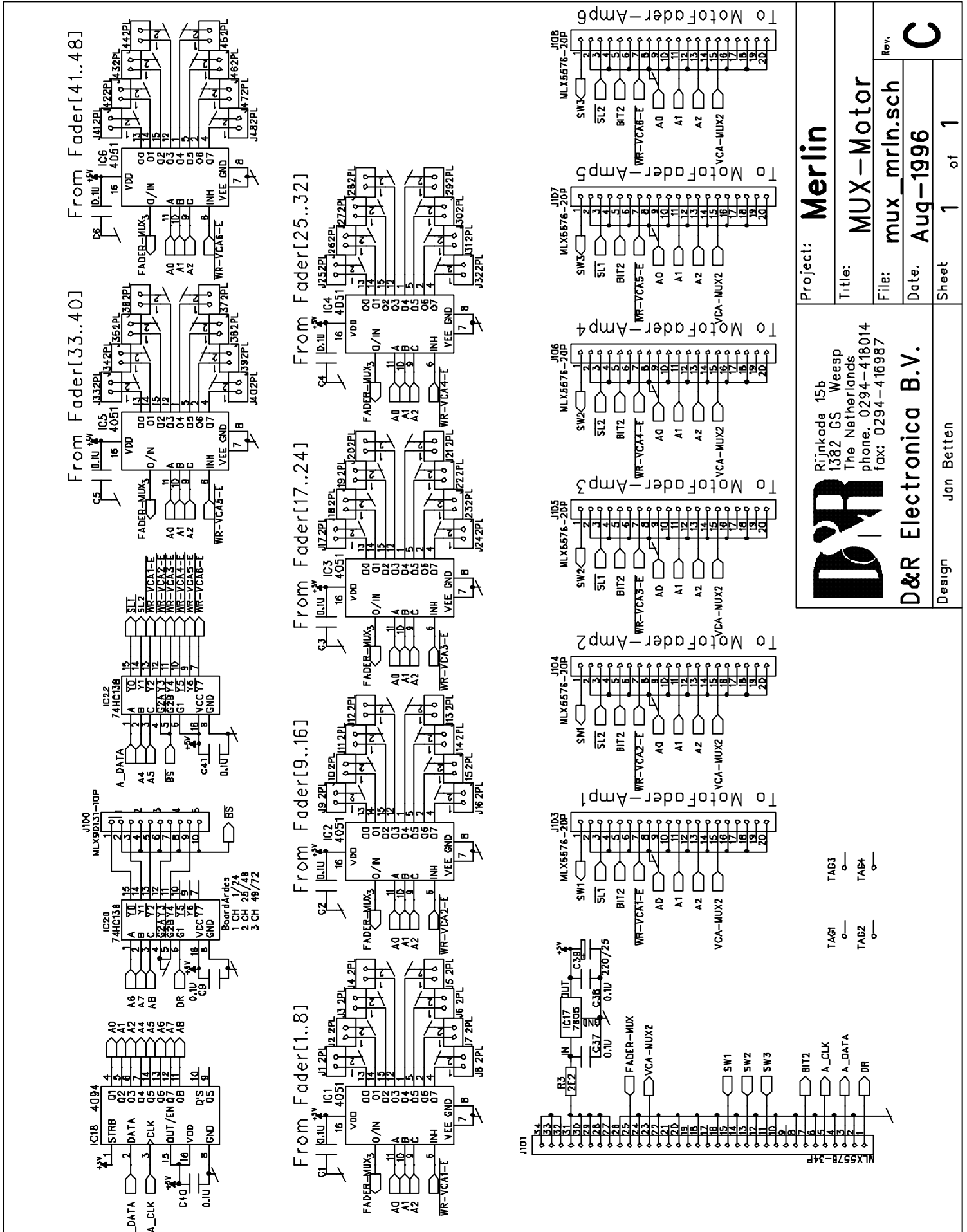


Project:	Merlin
Title:	MotorFader
File:	mrlnmoto.sch
Date:	Aug-1996
Rev:	P
Sheet:	3 of 3

D&R
 Rijnkade 15b
 1382 GS Weesp
 The Netherlands
 phone: 0294-418014
 fax: 0294-416987

D&R Electronica B.V.

Design: Jan Betten



D&R
Rijnkade 15b
1382 GS Weesp
The Netherlands
phone: 0294-418014
fax: 0294-416987

D&R Electronica B.V.
Design Jan Betten

Project: **Merlin**

Title: **MUX-Motor**

File: **mux_mrln.sch**

Date: **Aug-1996**

Sheet **1** of **1**

D&R
Rijnkade 15b
1382 GS Weesp
The Netherlands
phone: 0294-418014
fax: 0294-416987

D&R Electronica B.V.
Design Jan Betten

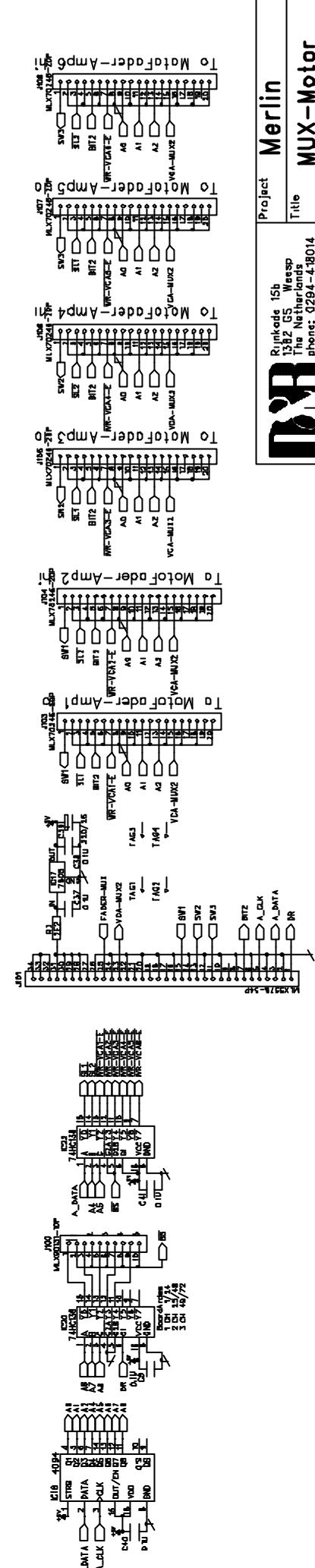
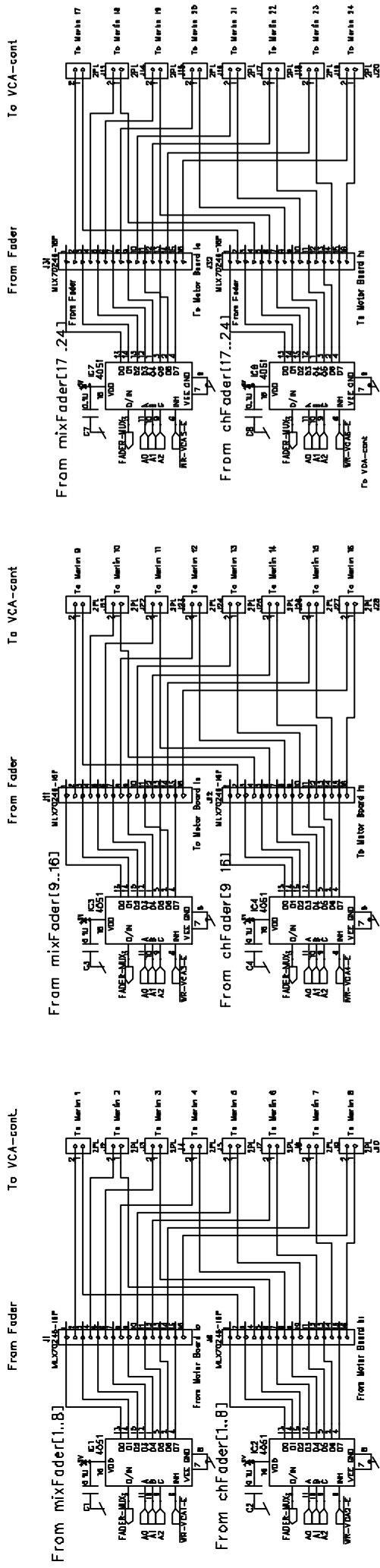
Project: **Merlin**

Title: **MUX-Motor**

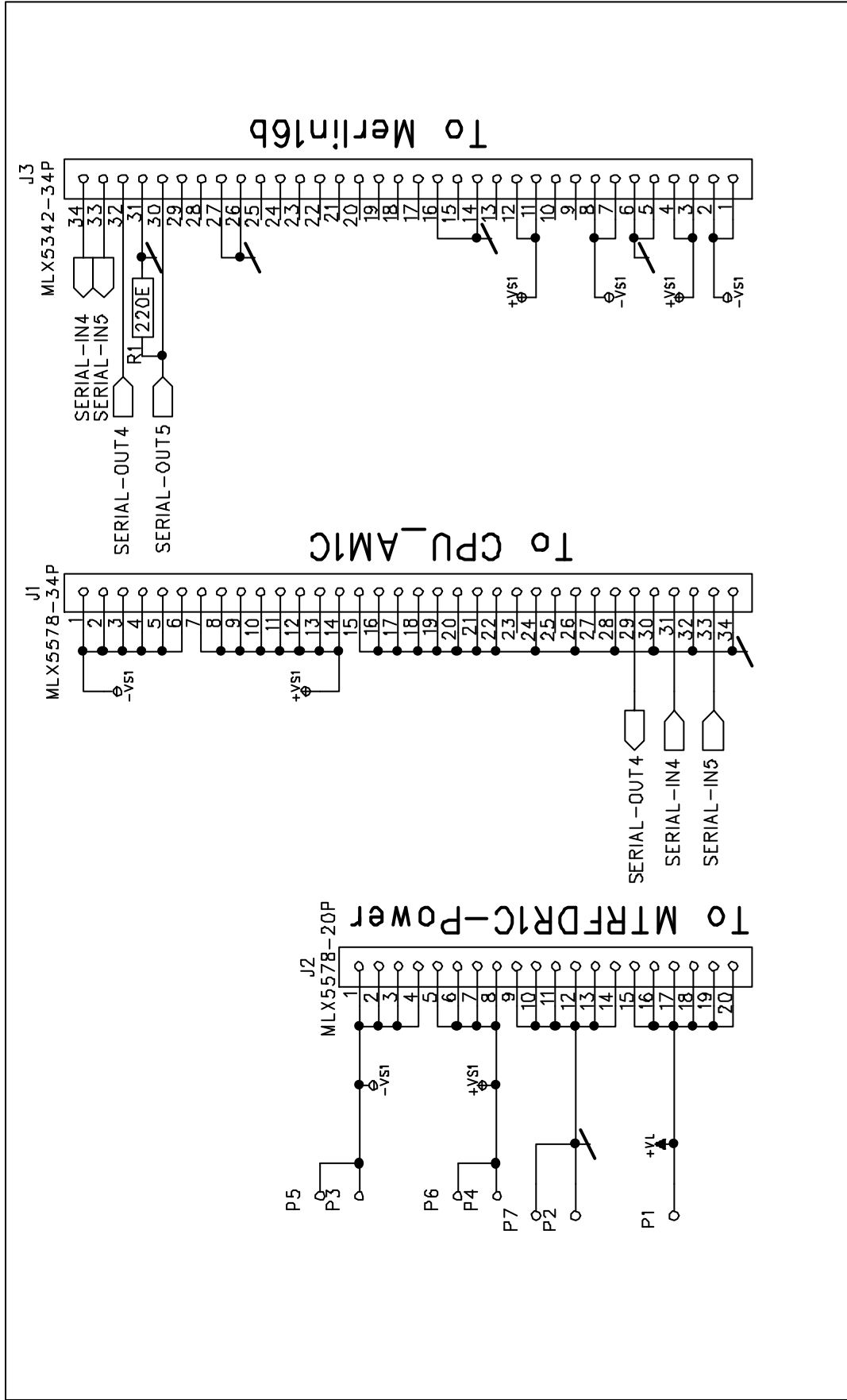
File: **mux_mrln.sch**

Date: **Aug-1996**

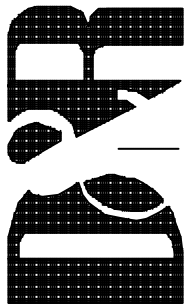
Sheet **1** of **1**



Project Merlin	
Rinkade 15b 1382 GS Weesp The Netherlands phone: 0294-418014 fax: 0294-418987	
Title MUX-Motor	
File:	muxmrlnb.sch
Date:	Nov-1996
Sheet:	1 of 1
Design: Jan Batten	
B	



Project:	Merlin
Title:	MotorFaderInt.
File:	mrln_mtr.sch
Date:	Aug-1996
Sheet:	1 of 1
Rev:	P

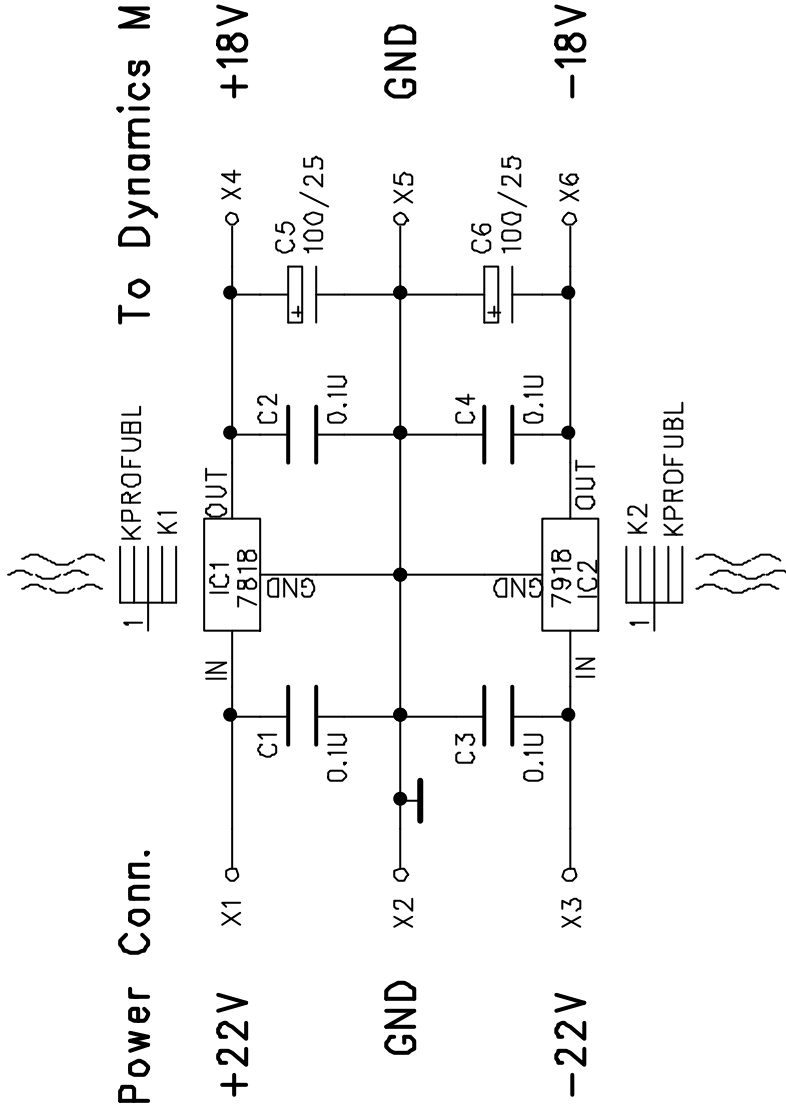


D&R
 Rijinkade 15b
 1382 GS Weesp
 The Netherlands
 phone: 0294-418014
 fax: 0294-416987

D&R Electronics B.V.

Design: Jan Betten

To Power Conn. To Dynamics Master



X7 ○
 X8 ○
 X9 ○
 X10 ○

Project: **Merlin Dyn**

Title: **Power Distr.**

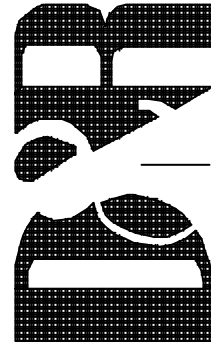
File: merldyn.sch

Date: 09-04-1997

Sheet: 1 of 1

Rev:

P



Rijkade 15b
 1382 GS Weesp
 The Netherlands
 phone: 0294-418014
 fax: 0294-416987

D&R Electronics B.V.

Design: E.v.d.Krans



MEMO MEMO

ATT. :TEST. DEP.

FROM:R&D JAN BETTEN

REF. :DYNAMICS

DATE :MAY 22 , 1997

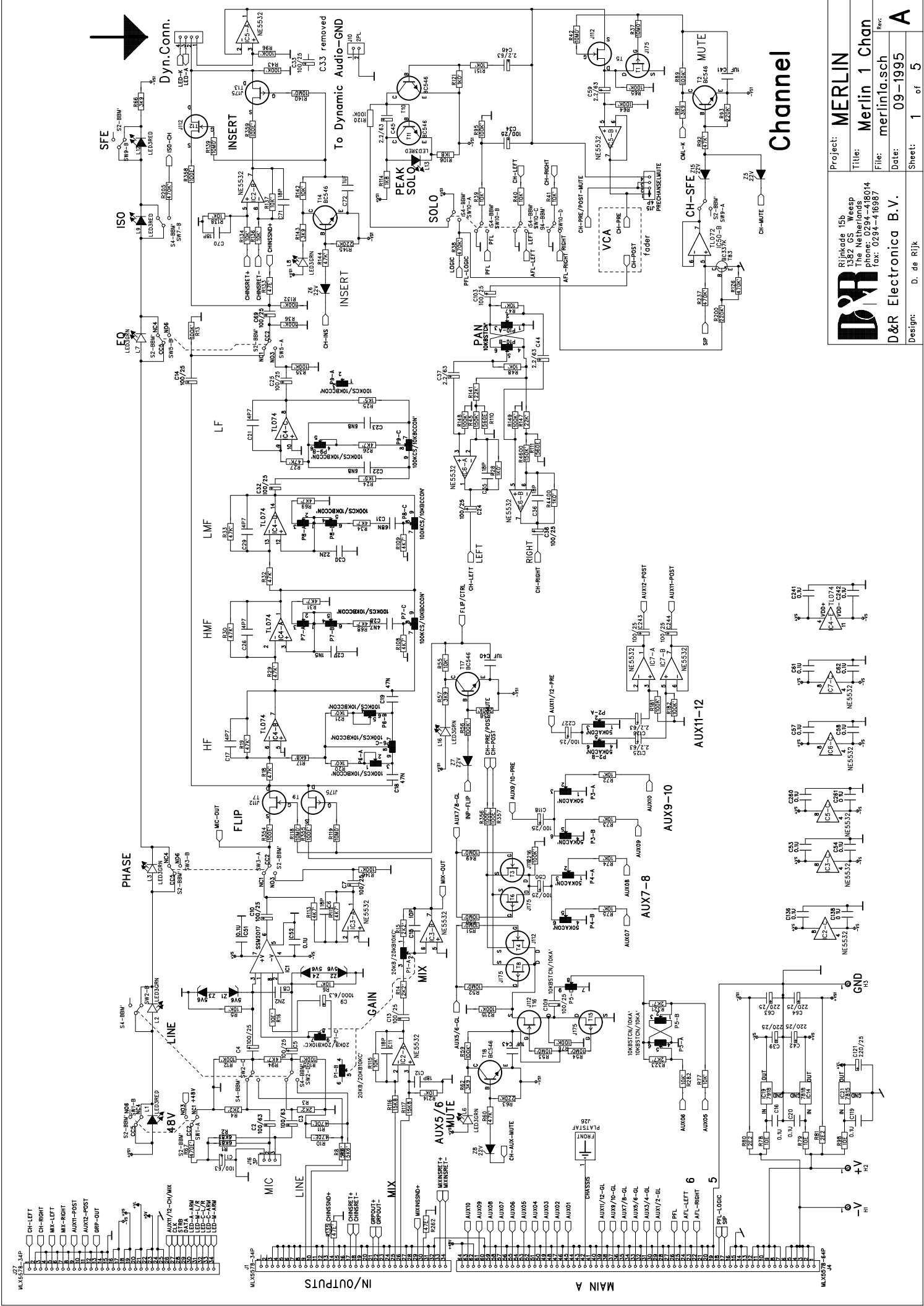
When Dynamics is installed in a Merlin console an extra GND wire needs to be made from every module to every Dynamics board.

This wire must be soldered between GND-Audio of R131 and on a 2P lock that's coming to the board.

On the Dynamics board R16, R31, R46, R61, R79, R91, R106, R121 are left out when the cards are installed in a Merlin console.

Pin 2 of the 8 2Pin connectors on the Dynamics board are connected to the GND-Audio of the Dynamics board. The 2P lock connector from the module will be put on this connector.

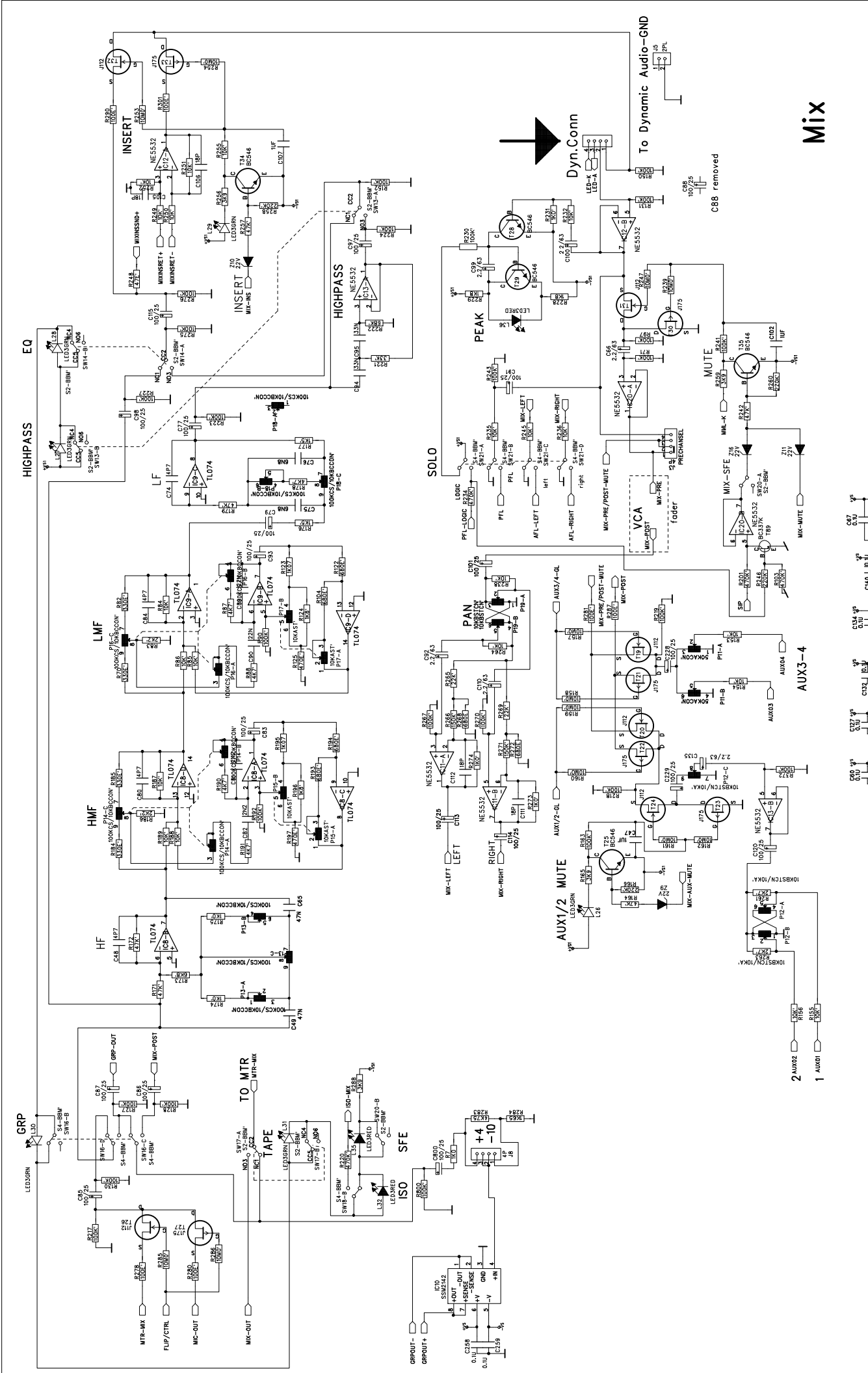
This modification is done to improve the specs of the system with 6dB per channel.



Project:	MERLIN
Title:	Merlin 1 Chan
File:	merlin1a.sch
Date:	09-1995
Sheet:	1 of 5

D&R
 Rinkade 15b
 1382 GS Weesp
 The Netherlands
 phone: 0294-418014
 fax: 0294-416967

D&R Electronica B.V.
 Design: D. de Rijk

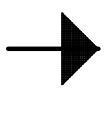


Mix

C88 removed

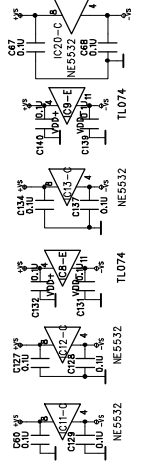
AUX3-4

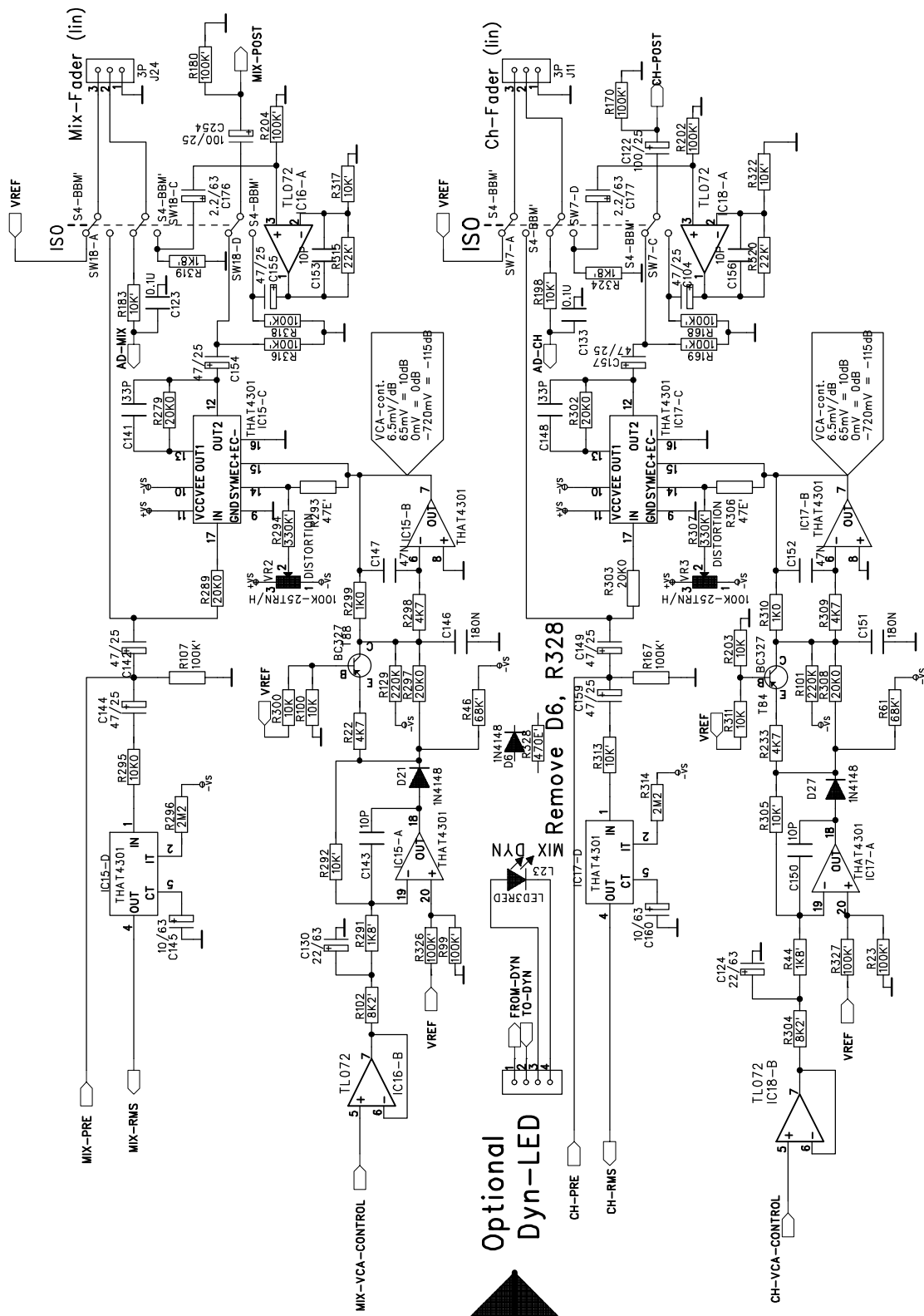
2 AUX02
1 AUX01



Dyn.Conn

To Dynamic Audio-GND






Optional
Dyn-LED

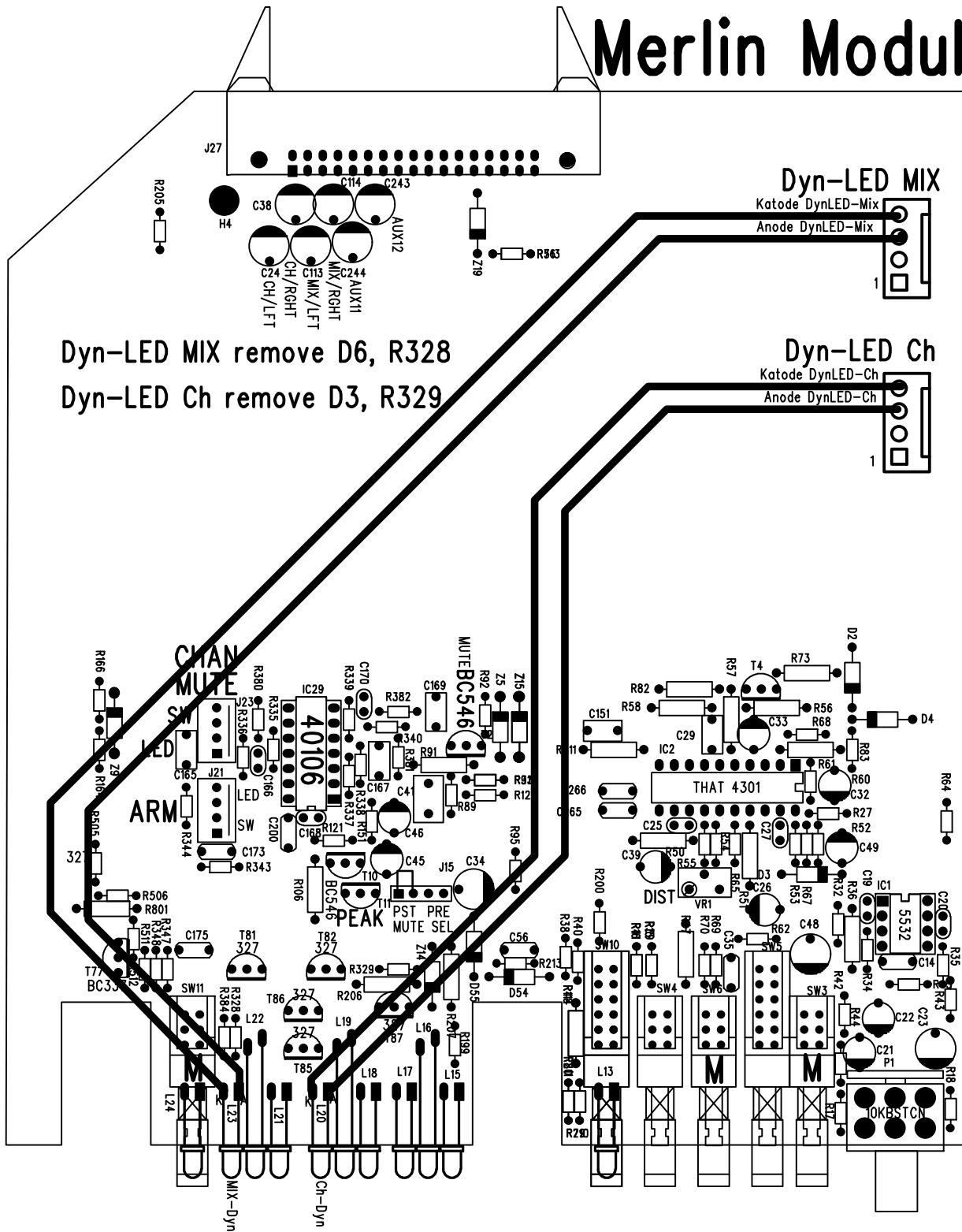
Remove D6, R328

Optional
Chan-Dyn

Remove D3, R329

		Project: MERLIN
Rijnkade 15b 1382 GS Weesp The Netherlands phone: 0294-418014 fax: 0294-416987		Title: Merlin 1 VCA
Design: J. Betten		File: merlin1a.sch
Rev: A		Date: 09-1995
Sheet: 3 of 5		

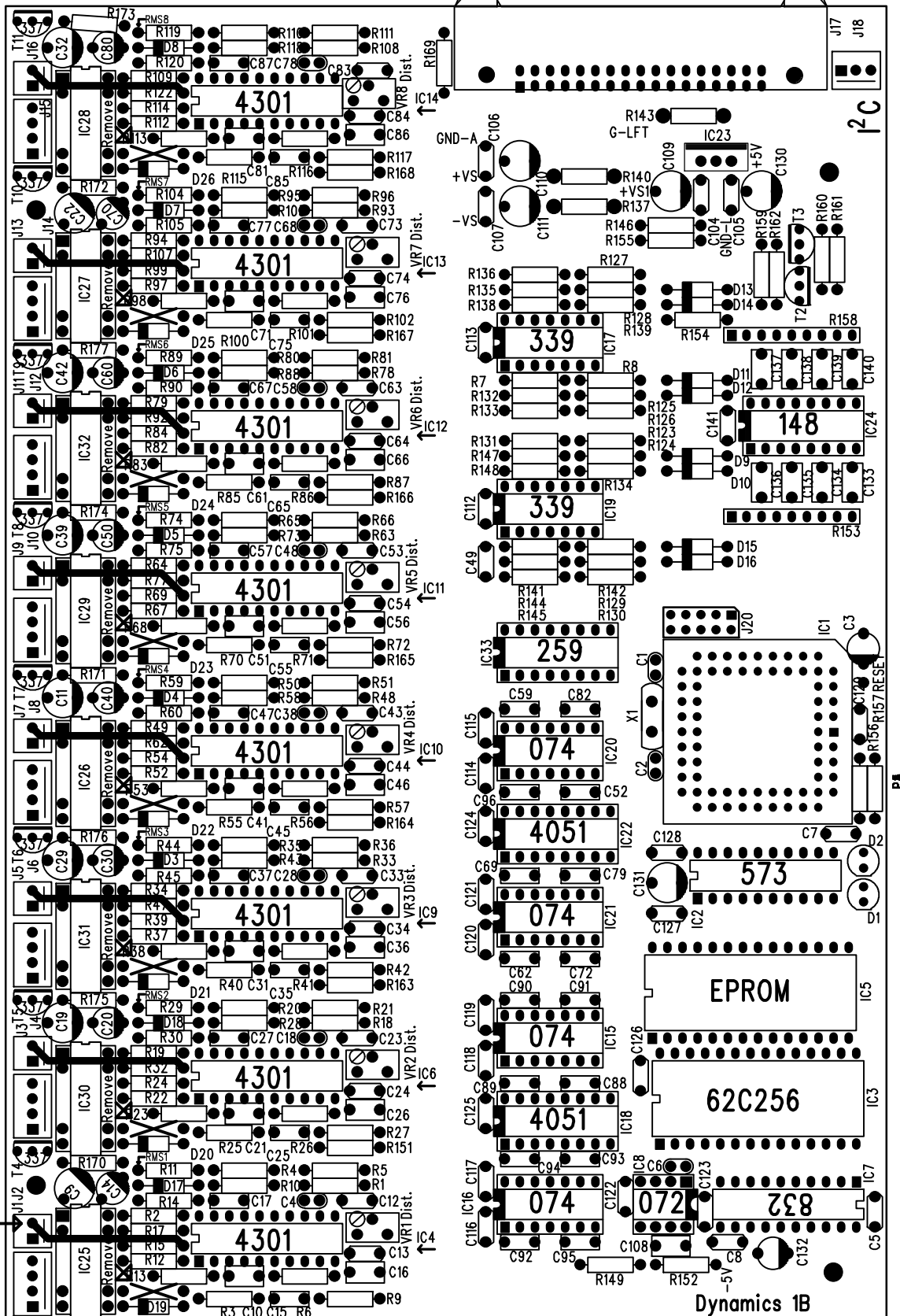
Merlin Module



Dynamic board

Remove R16, R31, R46, R61, R76, R91, R106, R121

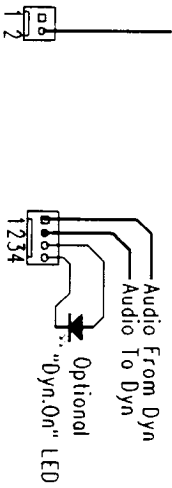
Connection from Pin2 to GND-Audio



Dynamics 1B

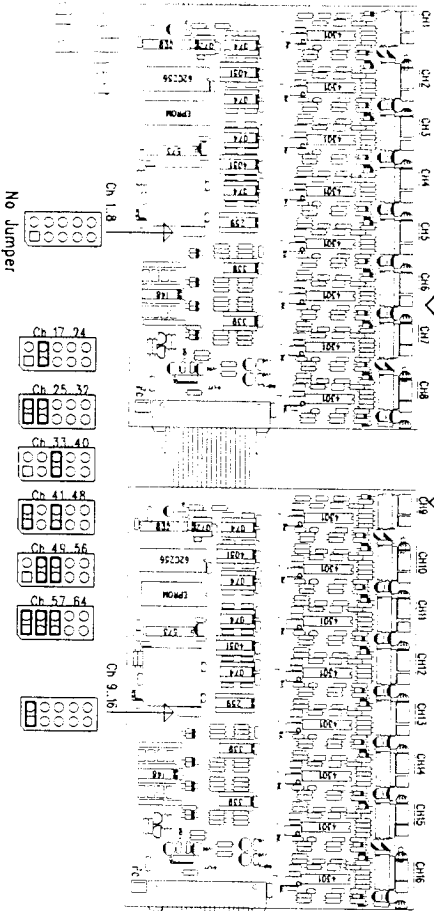
Dynamic option in Merlin

Merlin Audio GND conn.

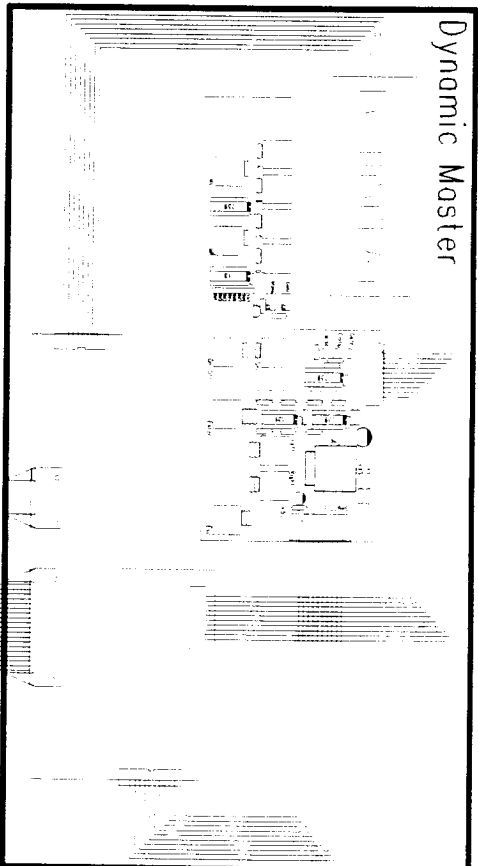


Audio-GND

Audio Connection



Dynamic Master



To Dyn Power Board

To Dyn Power Board

Dyn Power Board
(22V to 18V)

