

**D&R** Rijksweg 15b  
 1382 GS Weesp  
 The Netherlands  
 phone: 0294-418014  
 fax: 0294-416987

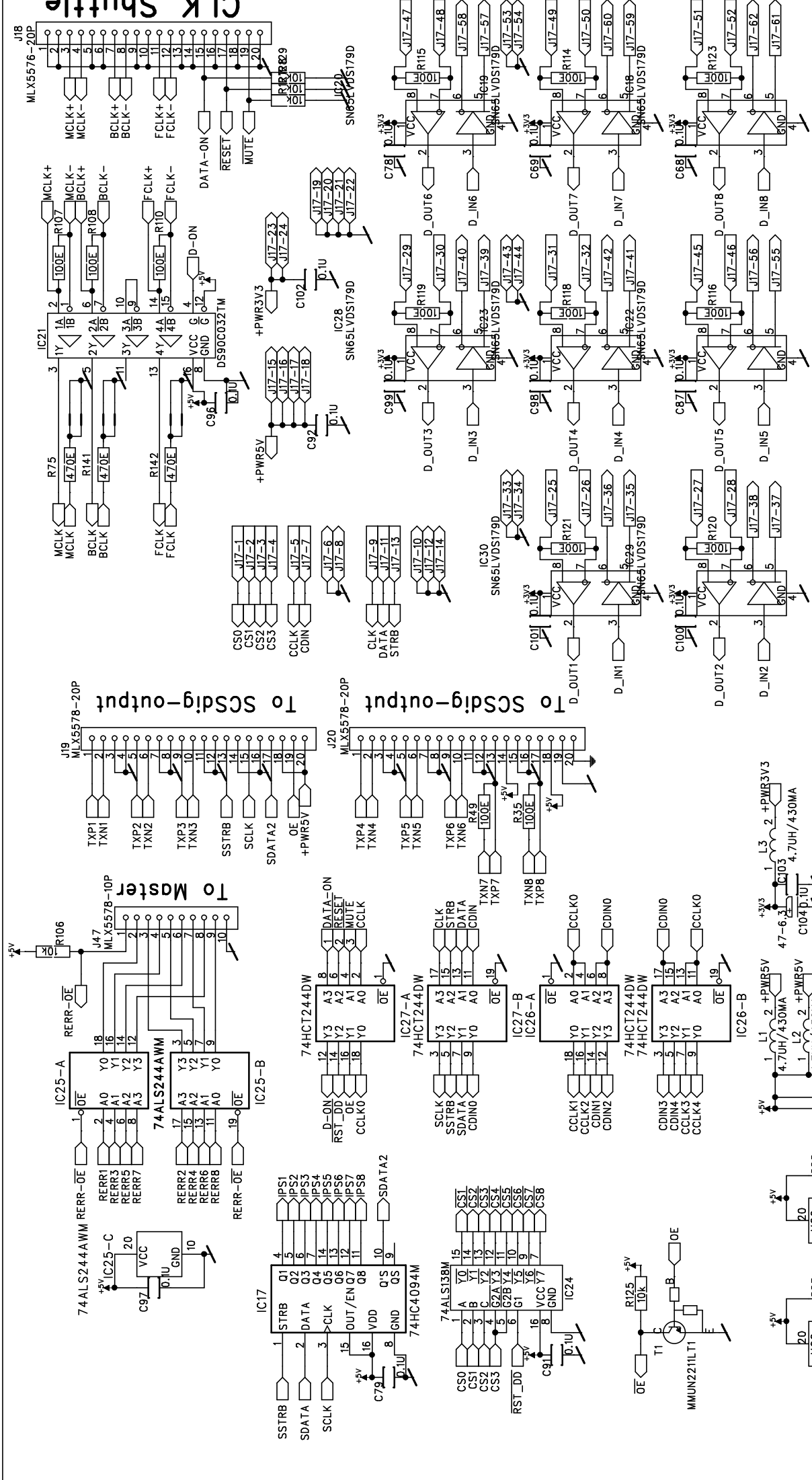
**D&R Electronics B.V.**

Design: Jan Betten  
 Modify: \_\_\_\_\_

Project: **Scorpius**  
 Title: **Dig. In/Out 1..4**  
 File: **SCSdig-input\_a.sch**  
 code: **2085 1487**  
 Date: **18-05-2001**  
 Sheet: **1 of 3**

rev: **A**



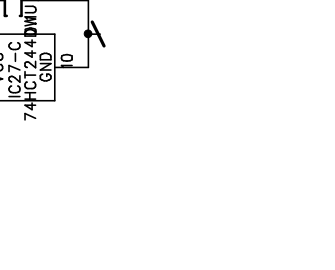


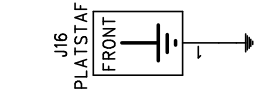
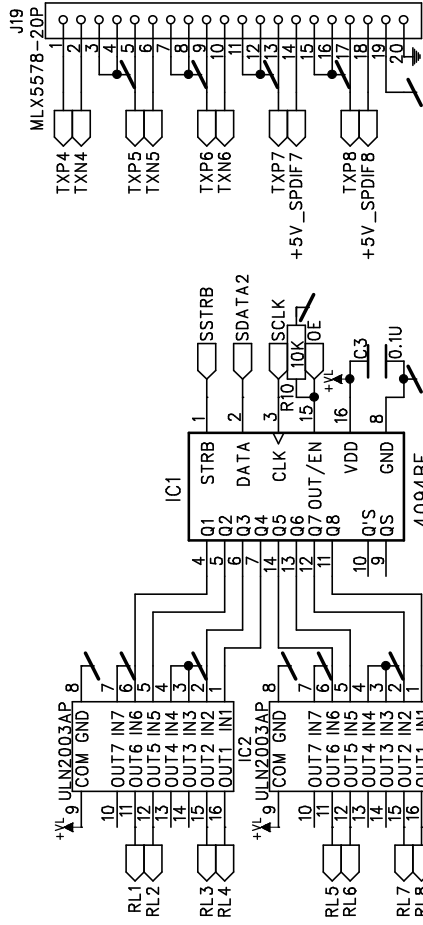
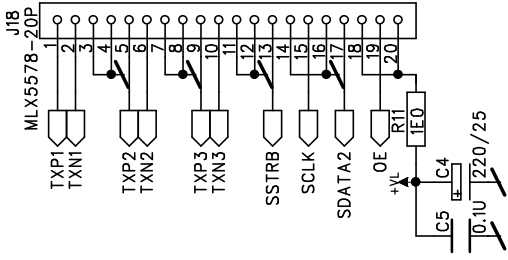
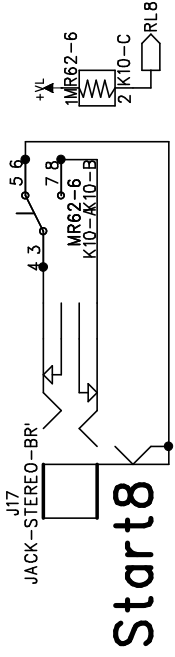
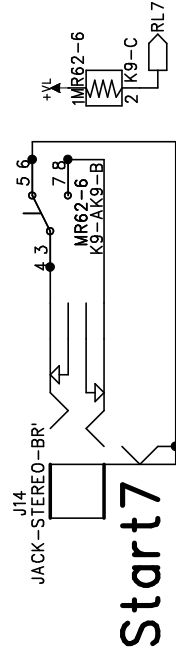
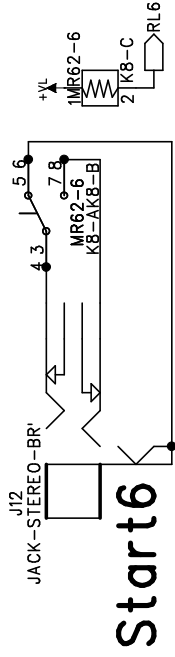
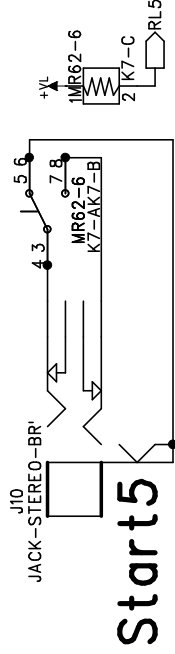
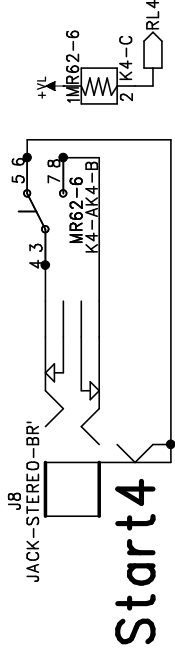
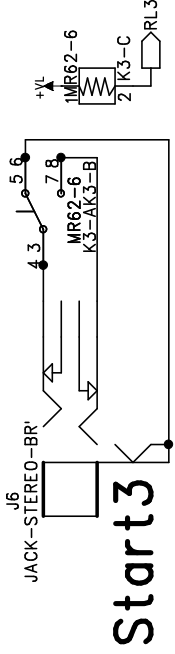
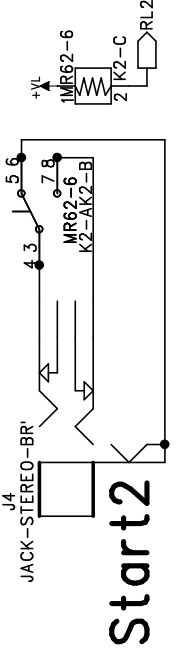
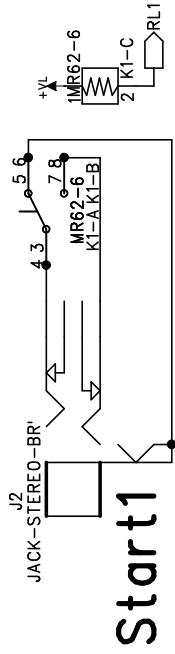
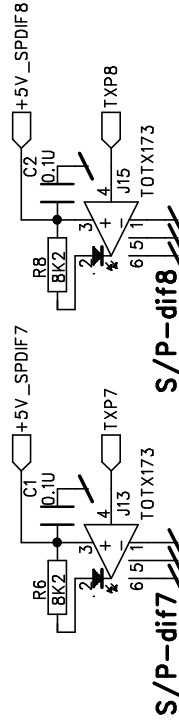
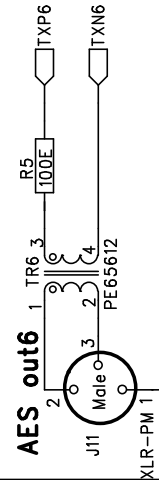
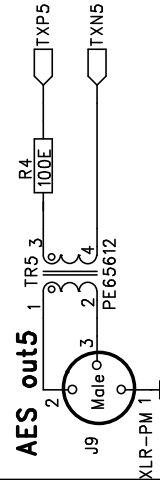
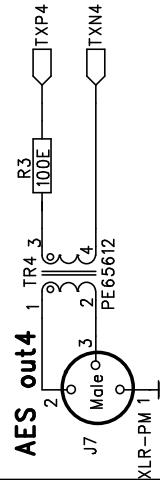
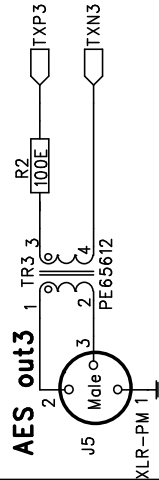
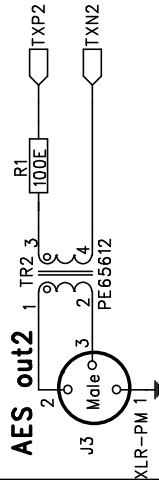
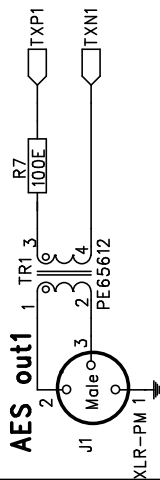
**Project:** Scorpius  
**Title:** Dig. In/Out PWR  
**File:** SCSdig-input\_a.sch  
**code:** 2085 1487  
**Date:** 18-05-2001  
**Sheet:** 3 of 3

**D&R**  
 Rijnkade 15b  
 1382 GS Weesp  
 The Netherlands  
 phone: 0294-418014  
 fax: 0294-416987

**D&R Electronica B.V.**  
 Design: Jan Betten  
 Modify: \_\_\_\_\_

Power	+/-18V ANA	+5V_ANA	+3V3
CS8420	8 * 70mA = 560mA	8 * 10mA = 80mA	
LVDS179d			
SCSdig_output		170mA	
Total	+/-18V total = 000mA   5ANA Total = 000mA	5dig Total = 730mA	3V3 Total = 80mA





LOGO J20

**D&R**  
 Rijnkade 15b  
 1382 GS Weesp  
 The Netherlands  
 phone: 0294-418014  
 fax: 0294-416987

**D&R Electronics B.V.**

Design: Jan Betten

Modify: \_\_\_\_\_

Project: **Scorpius**

Title: **Dig.Out & GPO**

File: **SCSdig-output\_p.sch**

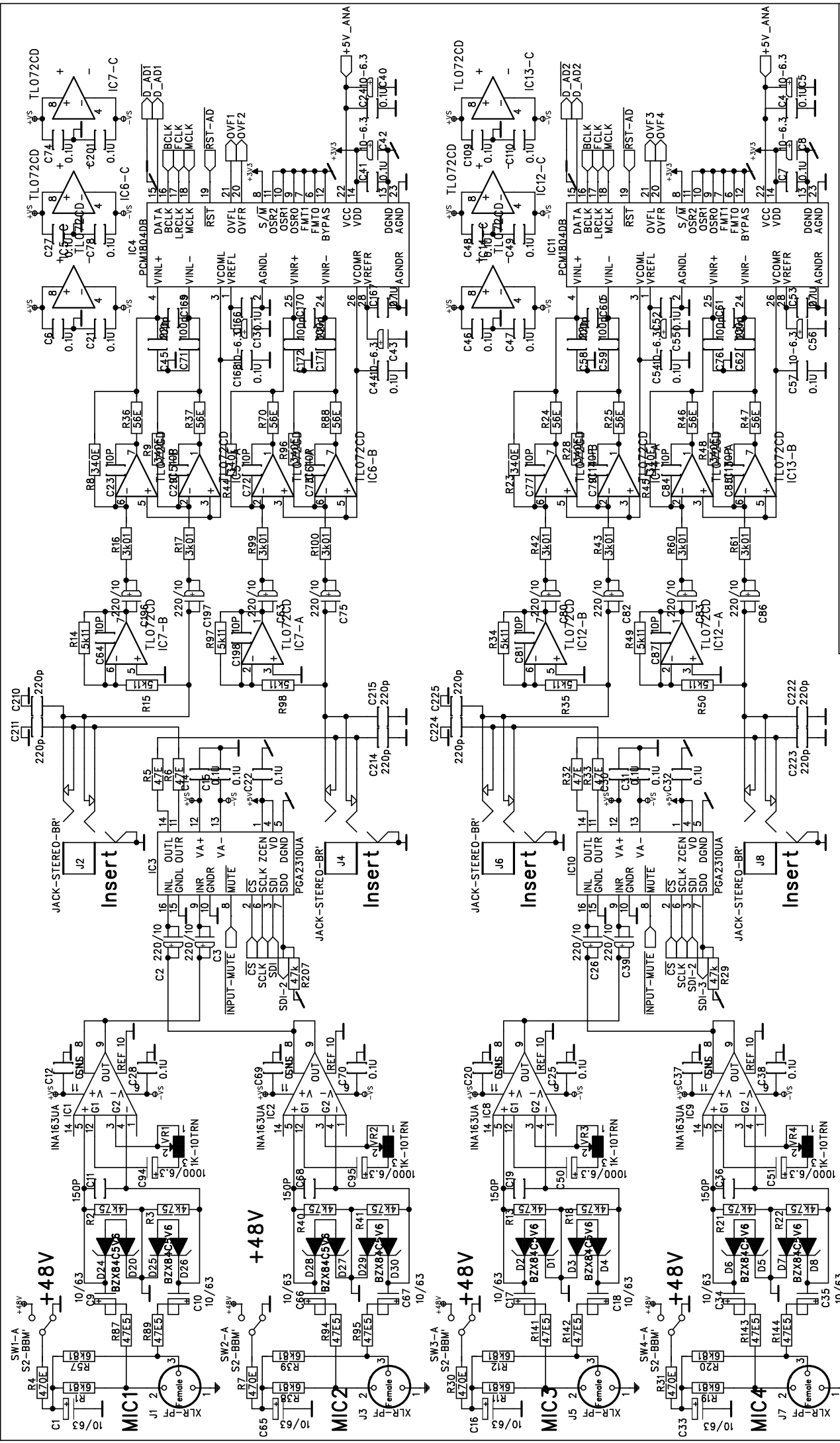
code: **2085 1488**


Date: **18-05-2001**

Sheet: **1 of 1**

**P**

Rev:





Rijkade 15b  
1382 GS Weesp  
The Netherlands  
phone: 0294-418014  
fax: 0294-416987

**Scorpius**

Mic/Line 1.4

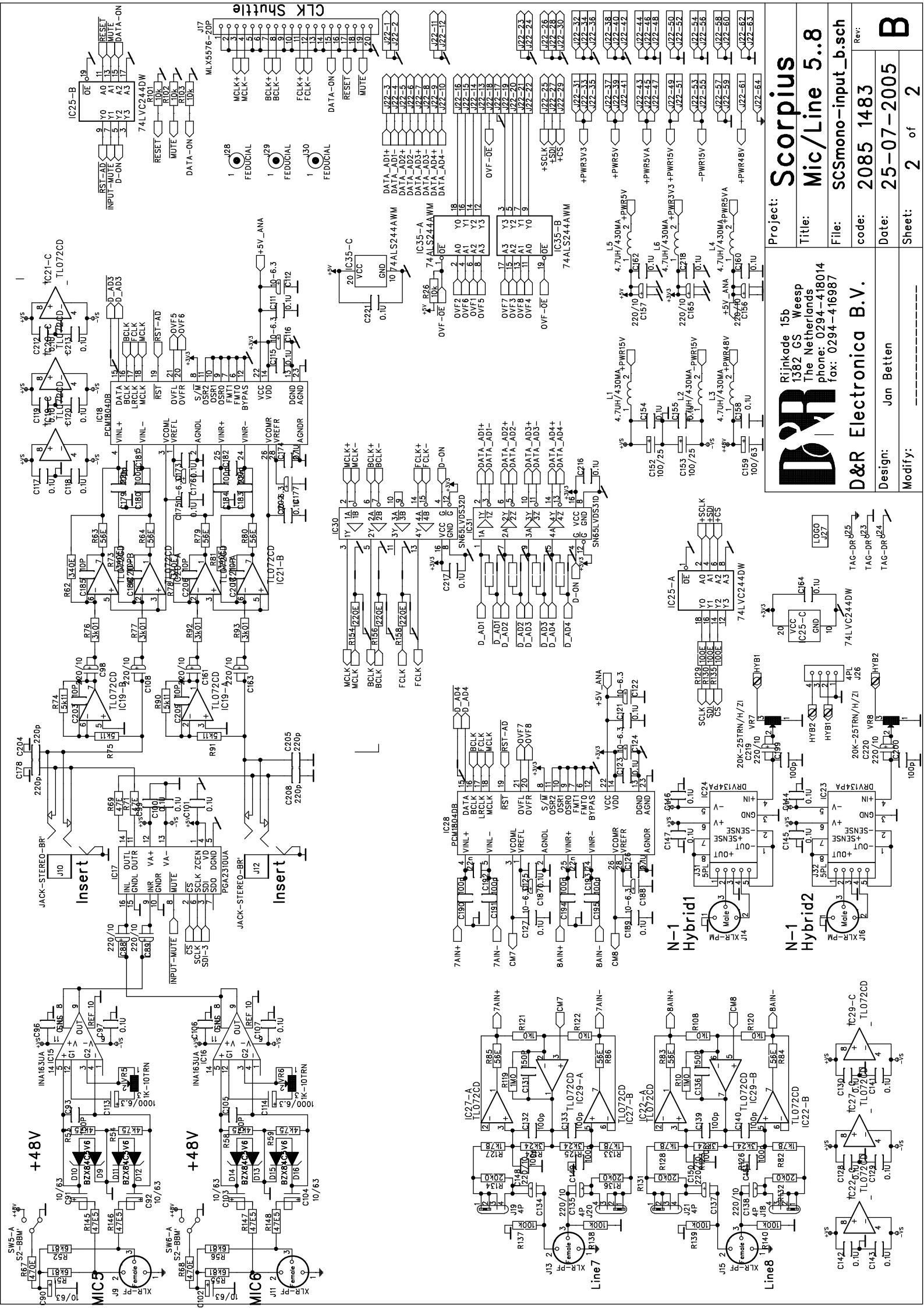
SCSmono-input\_b.sch

code: 2085 1483

Date: 25-07-2005

Sheet: 1 of 2

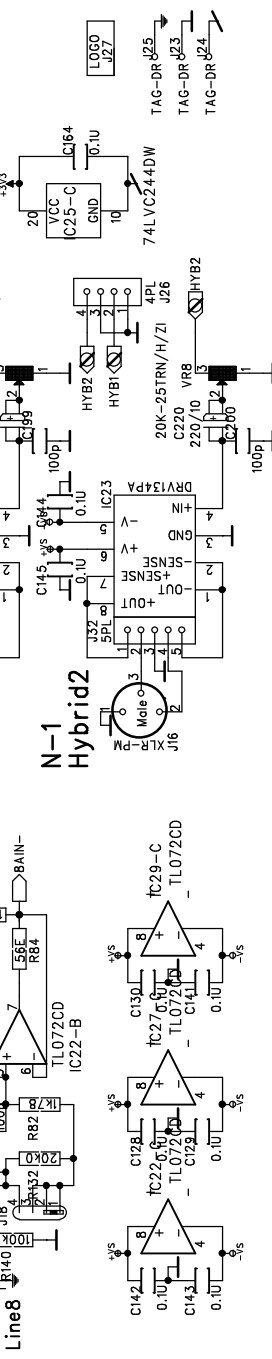
Power	+/-15V ANA	+5V ANA	+5V	+3V3
PCMB104	4 * 35mA = 140mA			4 * 15mA = 60mA
OP2134				
INA163	12 x 8mA = 96mA			
PGA2310	6 x 10mA = 60mA			
DRV134	3 x 8mA = 24mA			
LVDS	2 x 10mA = 20mA			
Total	+-18V total = 220mA 5ANA Total = 140mA	5dig Total = 2.4mA		10mA+25mA=35mA 3V3 Total = 65mA

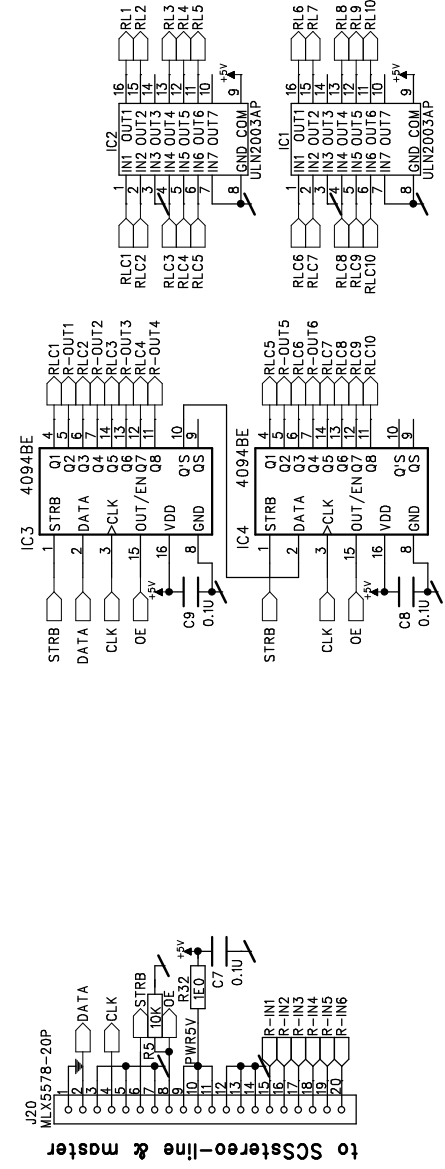
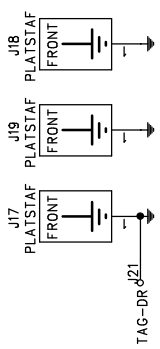
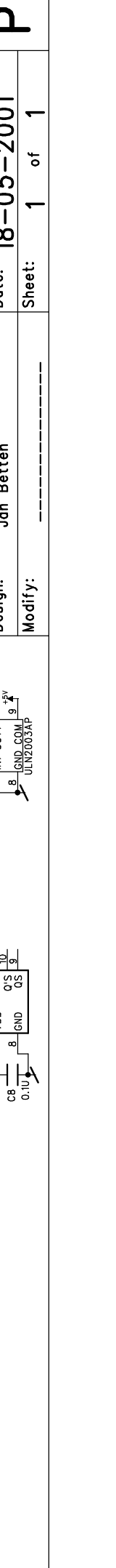
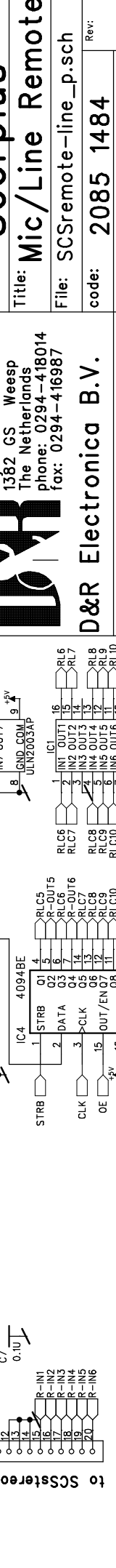
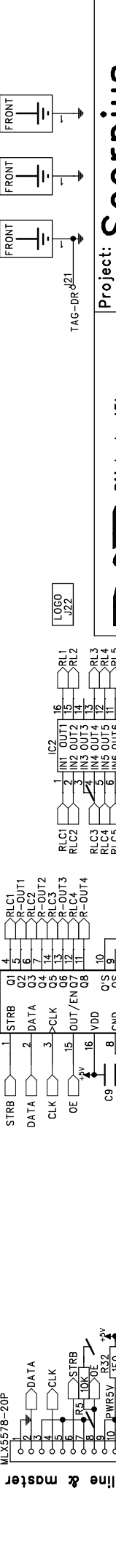
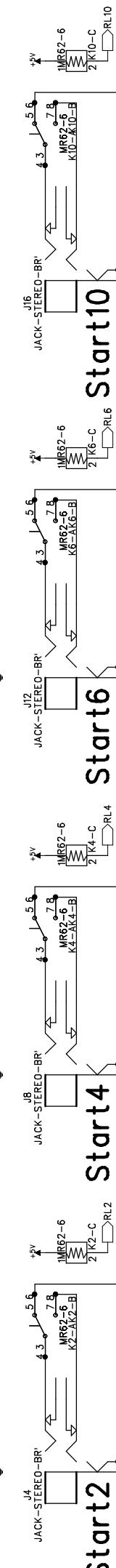
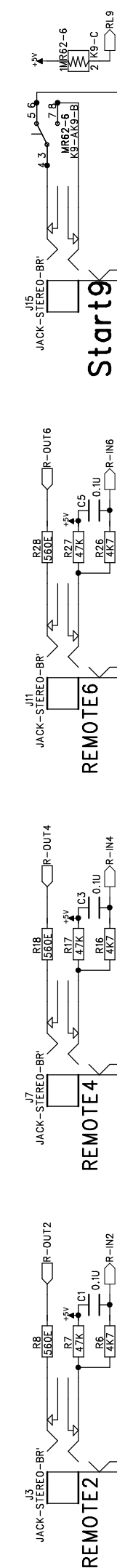
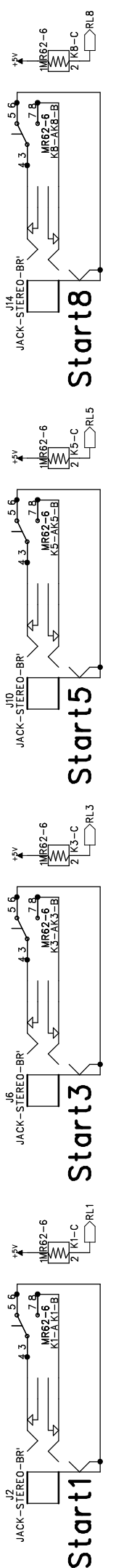
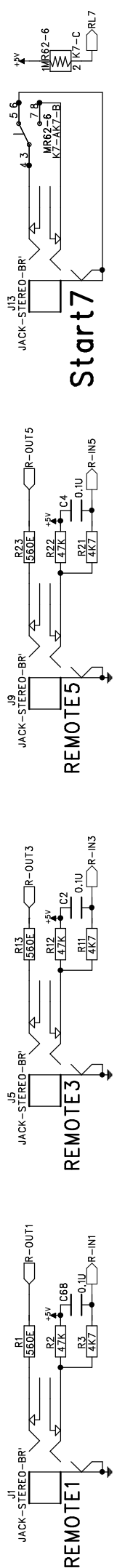


Project: **Scorpious**  
 Title: **Mic/Line 5.8**  
 File: **SCSMono-input\_b.sch**  
 code: **2085 1483**  
 Date: **25-07-2005**  
 Sheet: **2 of 2**

**D&R** Rijnkade 15b  
 1382 GS Weesp  
 The Netherlands  
 phone: 0294-418014  
 fax: 0294-416987

**D&R Electronics B.V.**  
 Design: Jan Betten  
 Modify:



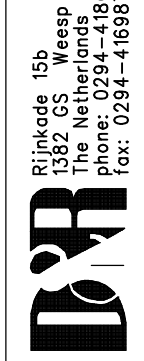
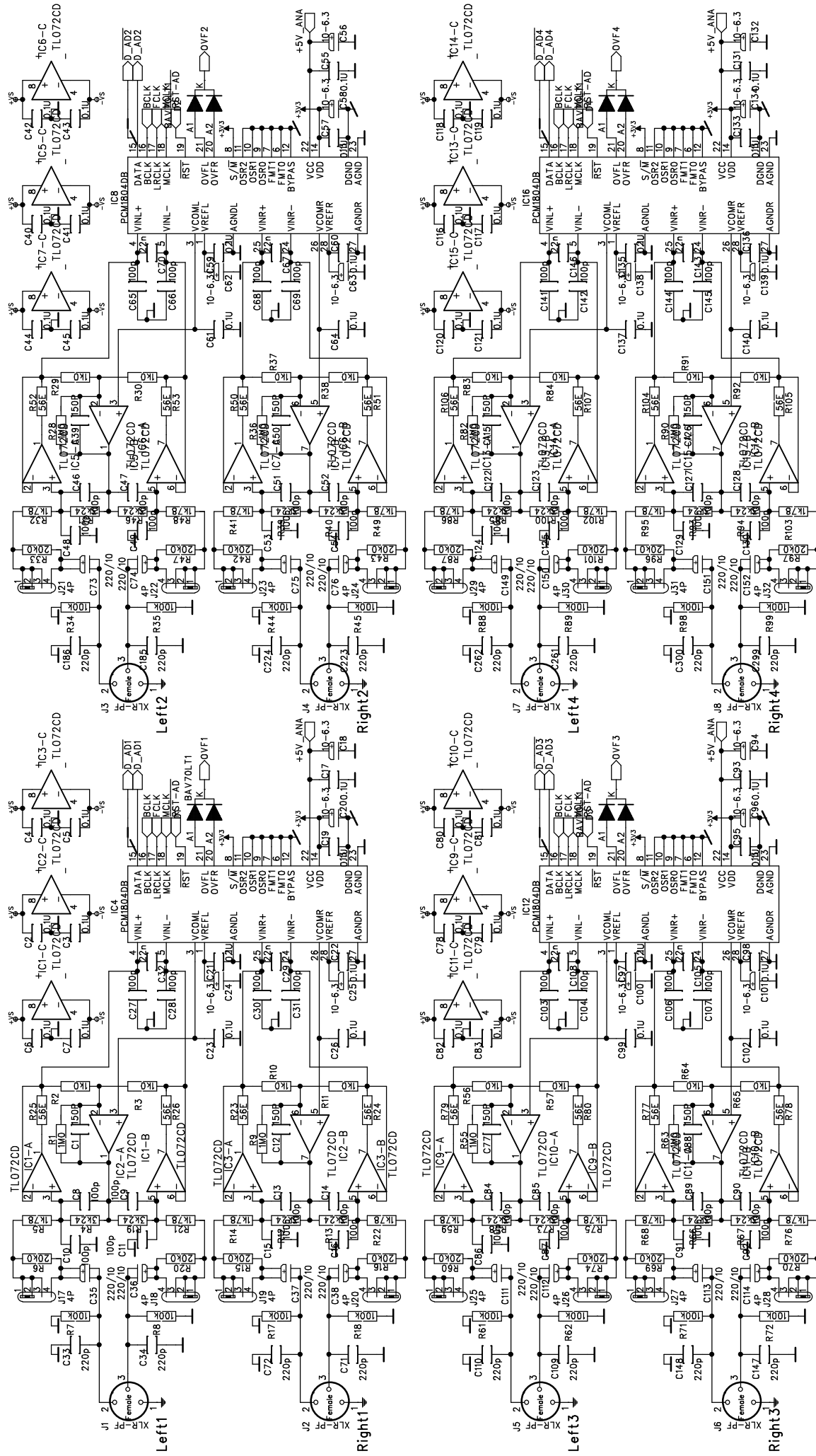


**Project: Scorpious**  
**Title: Mic/Line Remote**  
**File: SCSremote-line\_p.sch**  
**code: 2085 1484**  
**Date: 18-05-2001**  
**Sheet: 1 of 1**

**D&R**  
 Rijkade 15b  
 1382 GS Weesp  
 The Netherlands  
 phone: 0294-418014  
 fax: 0294-416987

**D&R Electronica B.V.**  
 Design: Jan Betten  
 Modify: -----

Rev: **P**



Rijnkade 15b  
1382 GS Weesp  
The Netherlands  
phone: 0294-418014  
fax: 0294-416987

Project: **Scorpius**

Title: **Stereo Line In 1.4**

File: **SCSstereo-input\_b.sch**

code: **2085 1485**

Date: **25-07-05**

Sheet: **1 of 3**

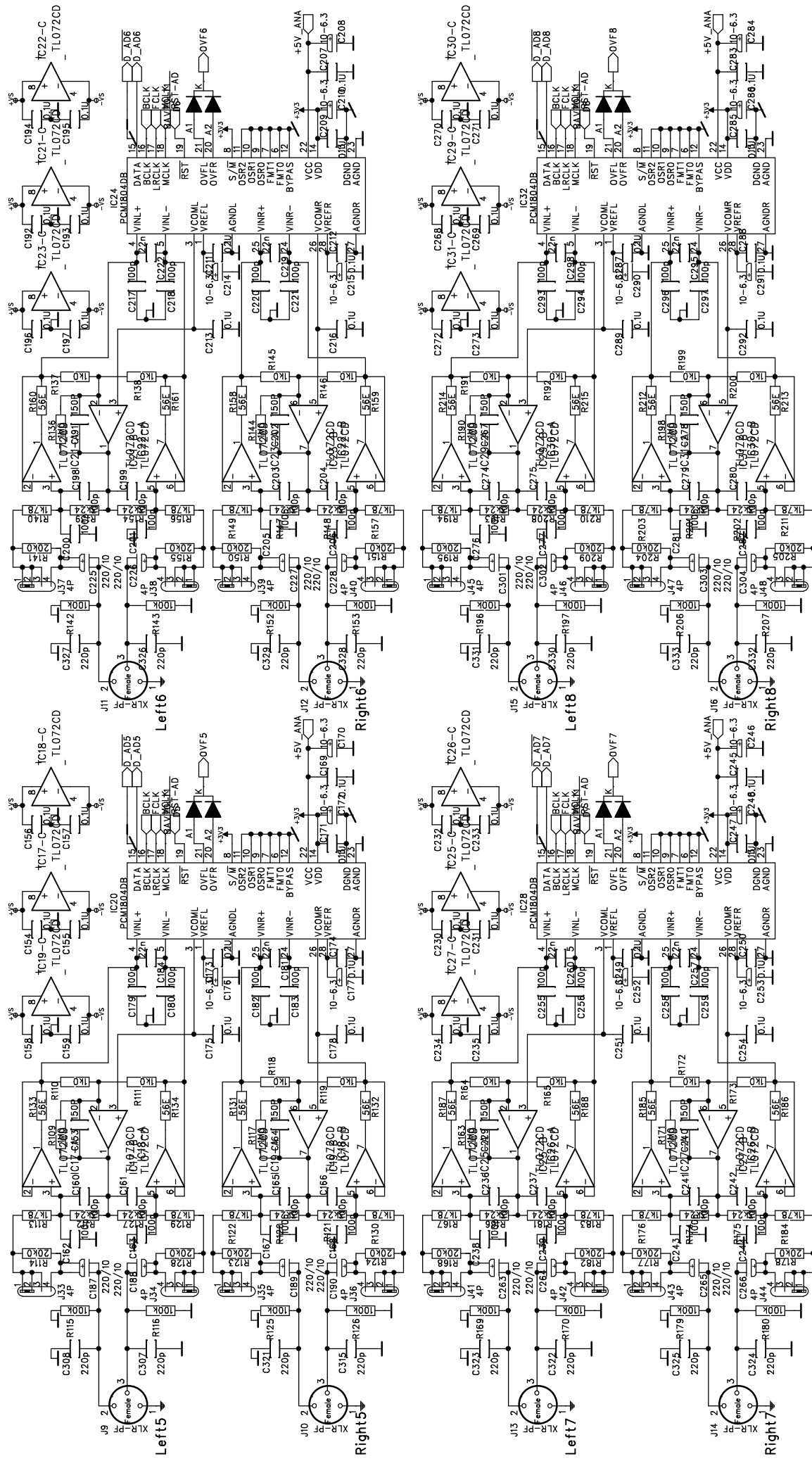
Design: **Jan Betten**

Modify:

Rev: **B**

D&R Electronica B.V.





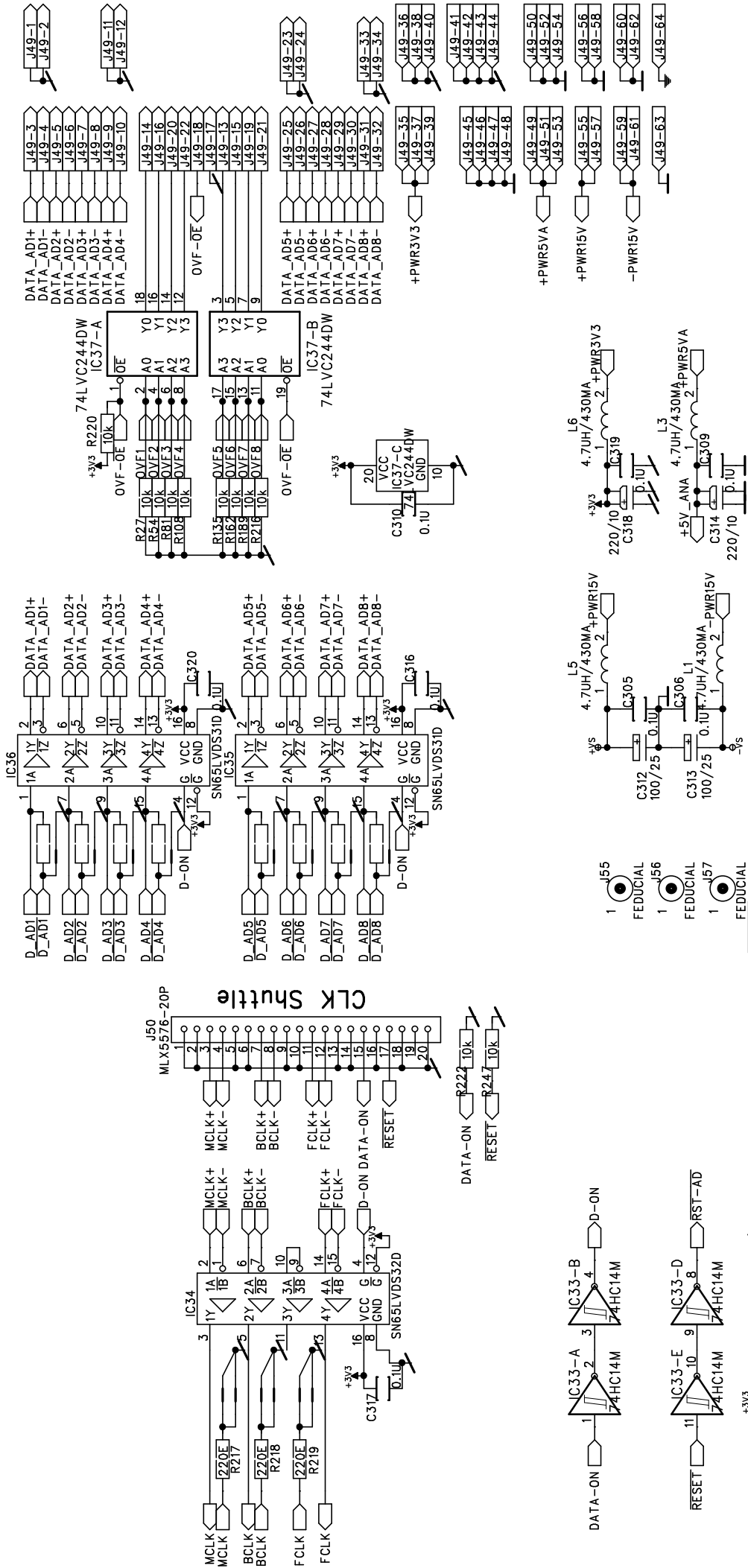
**Project:** Scorpius  
**Title:** Stereo Line In 5.8  
**File:** SCSstereo-input\_b.sch  
**code:** 2085 1485  
**Date:** 25-07-05  
**Sheet:** 2 of 3



Rijnkade 15b  
 1382 GS Weesp  
 The Netherlands  
 phone: 0294-418014  
 fax: 0294-416987

**D&R Electronica B.V.**  
 Design: Jan Betten  
 Modify:

**Rev:** B  
**code:** 2085 1485  
**Date:** 25-07-05  
**Sheet:** 2 of 3



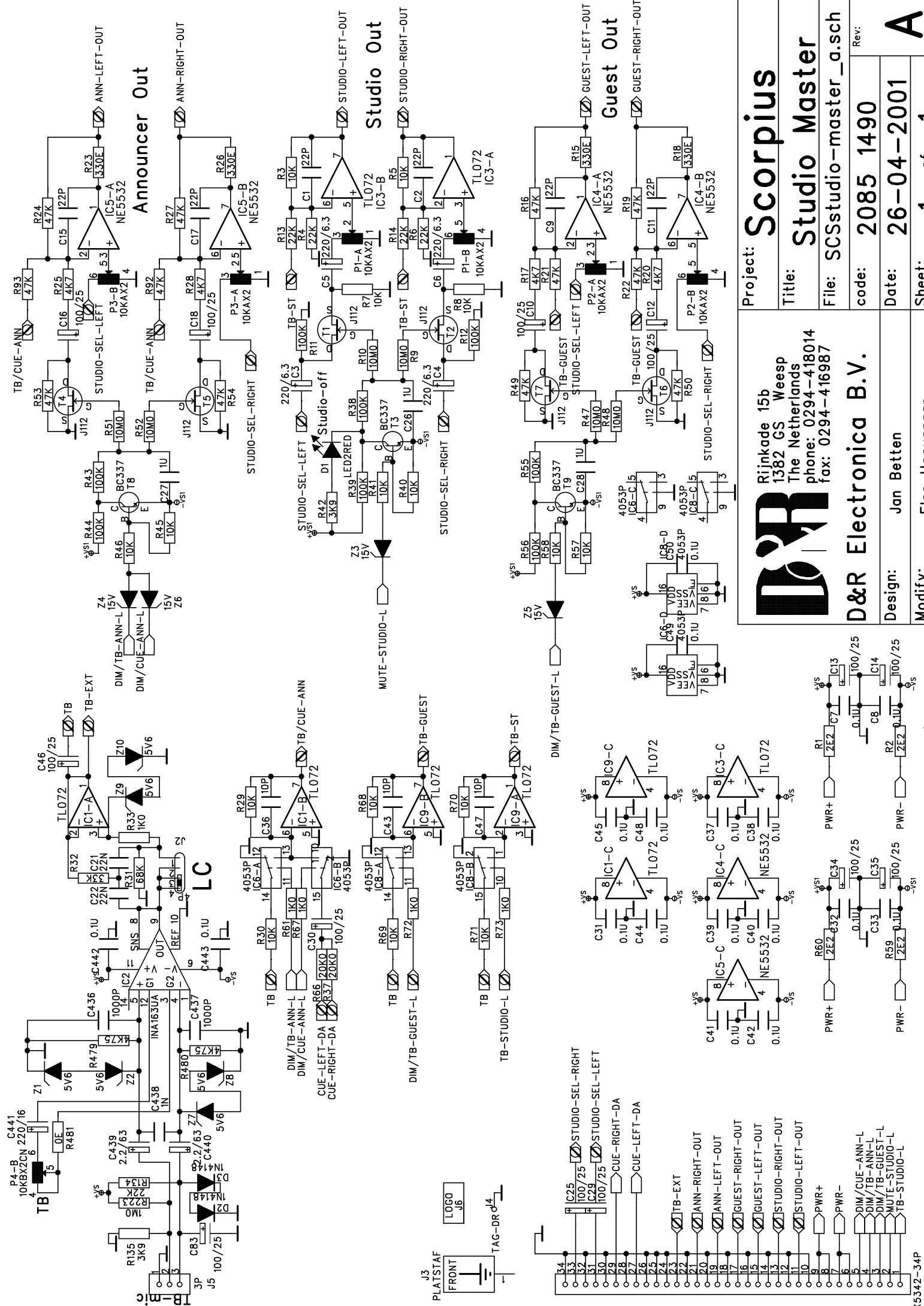
Project: **Scorpius**  
 Title: **Stereo Line power**  
 File: **SCSstereo-input\_b.sch**  
 code: **2085 1485**  
 Date: **25-07-05**  
 Sheet: **3** of **3**


**D&R**  
 Rijnkade 15b  
 1382 GS Weesp  
 The Netherlands  
 phone: 0294-418014  
 fax: 0294-416987

**D&R Electronics B.V.**  
 Design: Jan Betten  
 Modify: \_\_\_\_\_

Power	+/-18V ANA	+5V_ANA	+3V3
PCMI804		8 * 35mA = 280mA	8 * 15mA = 120mA
OPA2134	24 x 8mA = 192mA		
LVDS31		2 * 25mA = 50mA	
LVDS32		1 * 10mA = 10mA	
Total	+/-18V total = 192mA	5ANA Total = 280mA	3V3 Total = 180mA

Rev: \_\_\_\_\_  
**B**





**Project: Scorpious**  
**Title: Studio Master**  
**File: SCSstudio-master\_a.sch**  
**code: 2085 1490**  
**Date: 26-04-2001**  
**Sheet: 1 of 1**

---

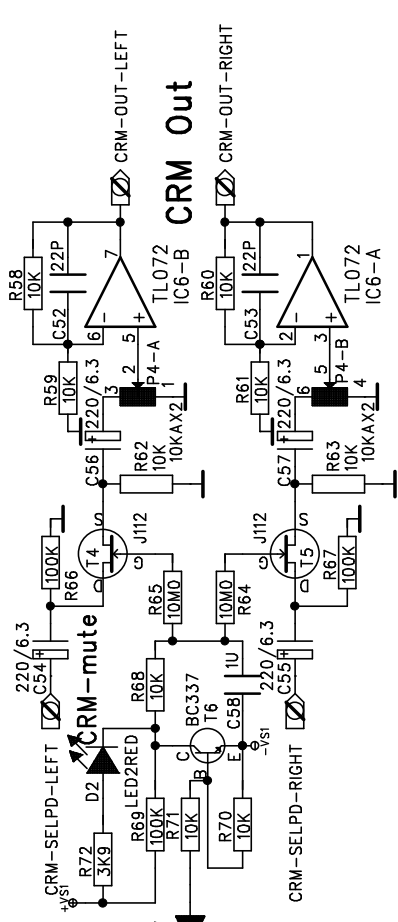
Rijnkade 15b  
 1382 GS Weesp  
 The Netherlands  
 phone: 0294-418014  
 fax: 0294-416987

**D&R Electronica B.V.**

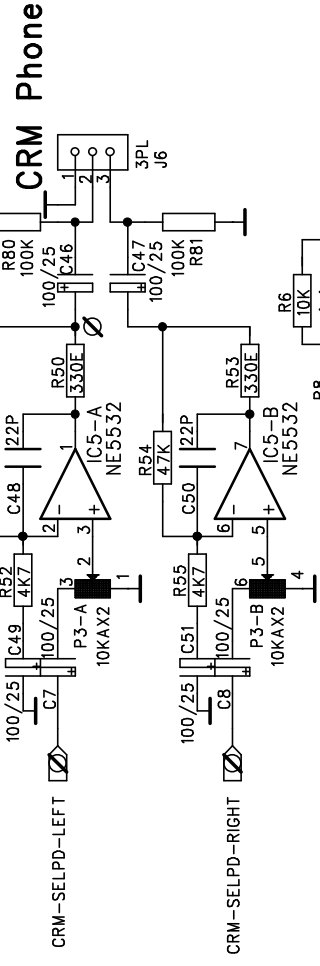
Design: Jan Betten  
 Modify: Elco Hoevenaar

---

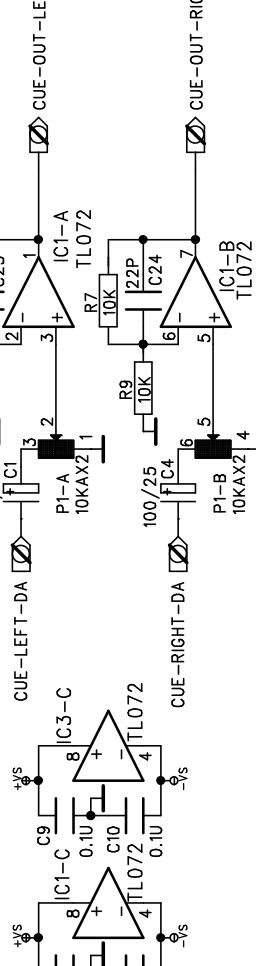
Rev: **A**



**CRM Out**

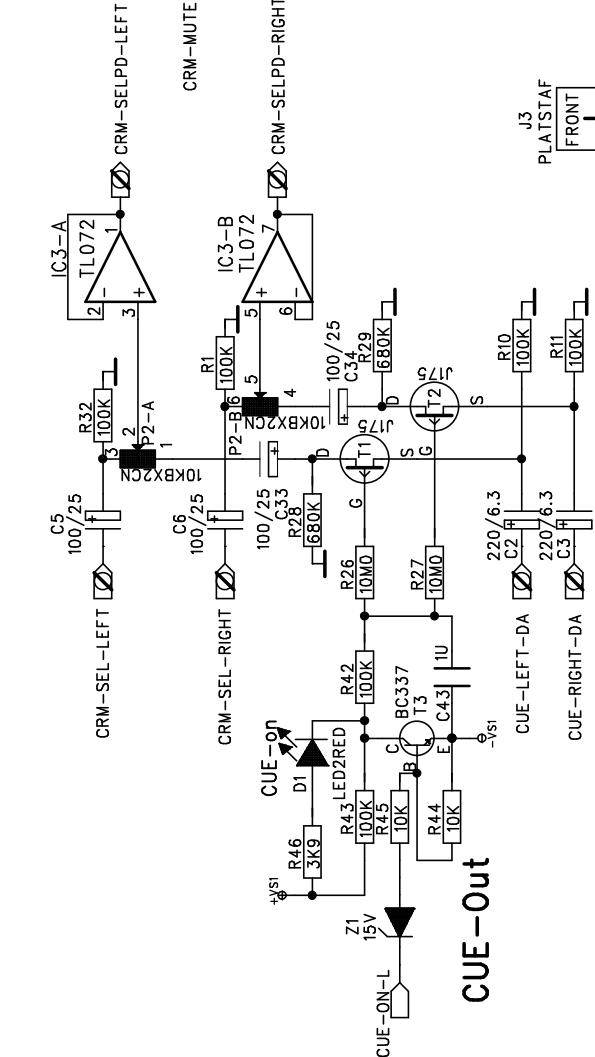


**CRM Phone**

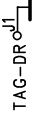
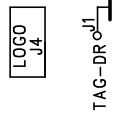
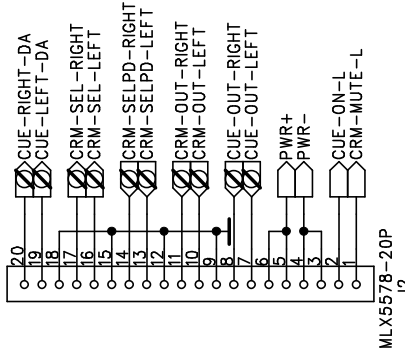
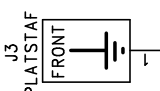


**CUE-OUT-LEFT**

**CUE-OUT-RIGHT**



**CUE-OUT**



Rijnkade 15b  
1382 GS Weesp  
The Netherlands  
phone: 0294-418014  
fax: 0294-416987

**D&R Electronics B.V.**

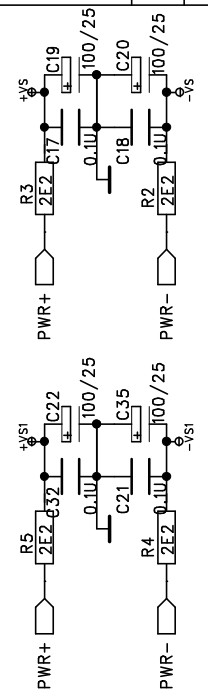
Design: Jan Betten

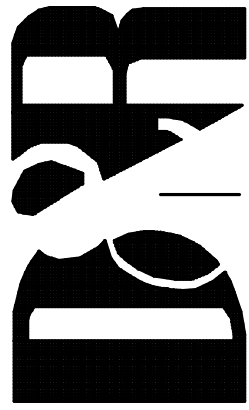
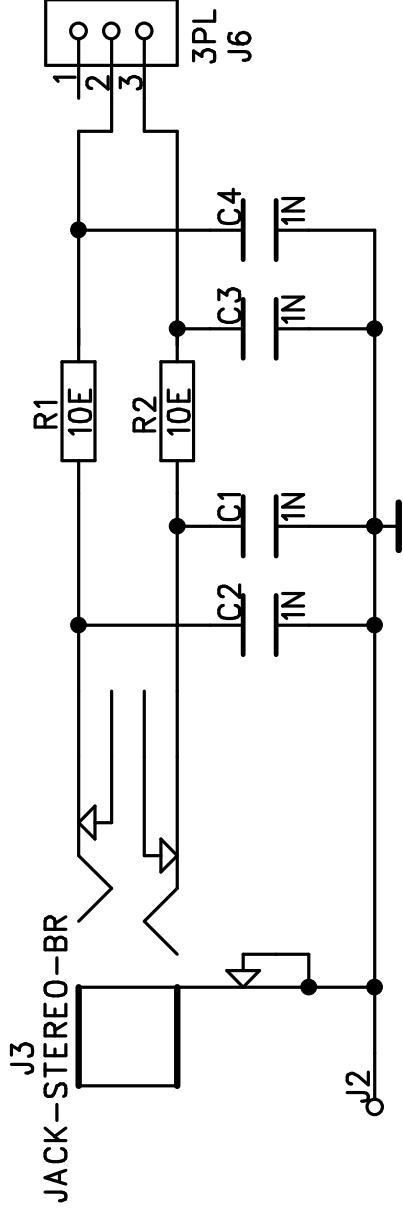
Modify: \_\_\_\_\_

Project:	<b>Scorpius</b>
Title:	<b>CRM Master</b>
File:	SCScrm-master_a.sch
code:	2085 1489
Date:	15-06-2001
Sheet:	1 of 1

Rev:

**A**





Rijnkade 15b  
 1382 GS Weesp  
 The Netherlands  
 phone: 0294-418014  
 fax: 0294-416987

**D&R** Electronica B.V.

Design: Jan Betten

Modify: \_\_\_\_\_

Project: **Scorpius**

Title: **HeadPhone conn**

File: **SCShp\_p.sch**

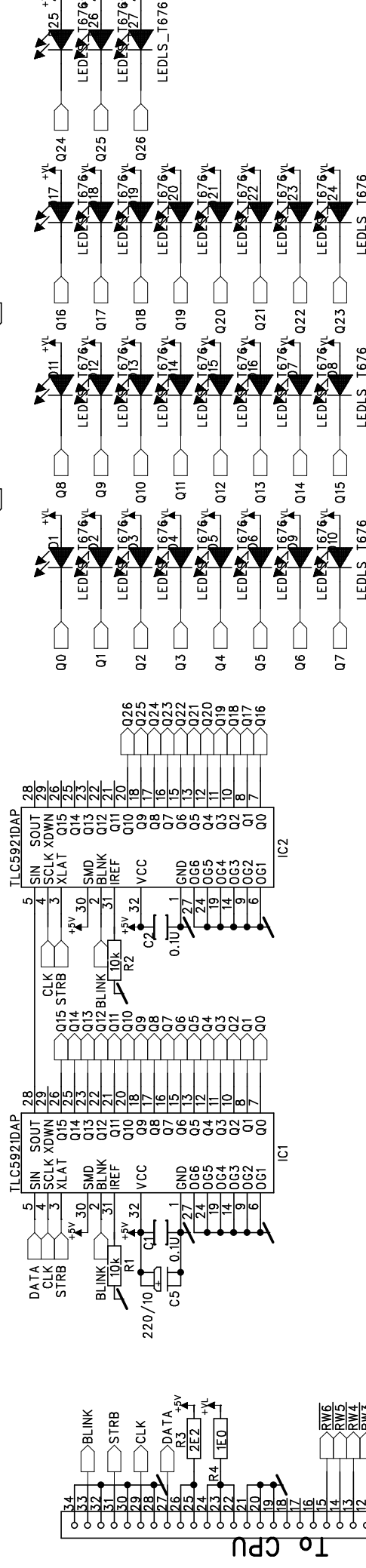
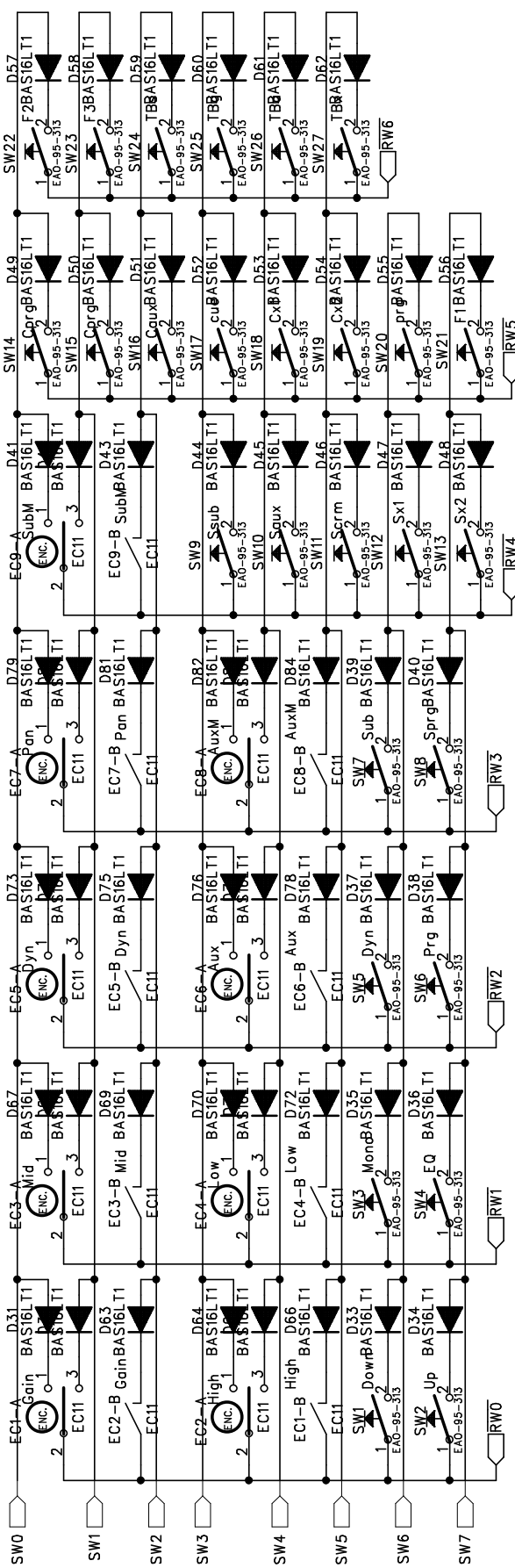
code: **1020\*\*\*\***


Rev:

Date: **-- -- 2003**

**P**

Sheet: **1** of **1**





**D&R**  
Rijnkade 15b  
1382 GS Weesp  
The Netherlands  
phone: 0294-418014  
fax: 0294-416987

**Scorpius**

Master Sw Cont.

SCSmaster-sw\_a.sch

2085 1482

04-01-2001

1 of 1

Project: Scorpius

Title: Master Sw Cont.

File: SCSmaster-sw\_a.sch

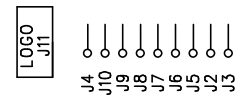
code: 2085 1482

Date: 04-01-2001

Sheet: 1 of 1

Design: Jan Betten

Modify: \_\_\_\_\_

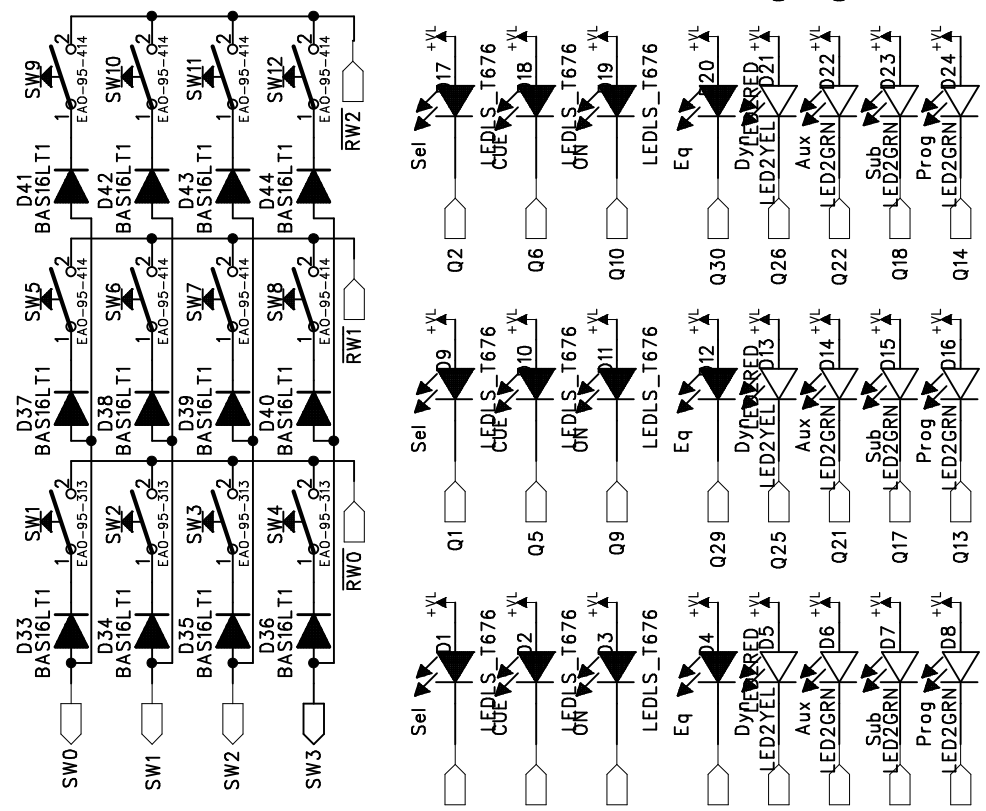
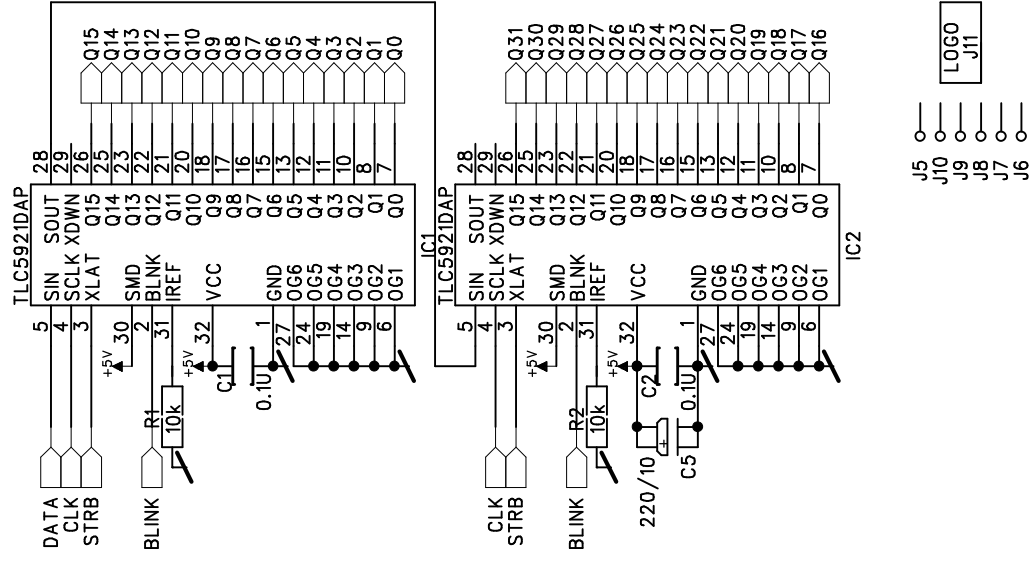
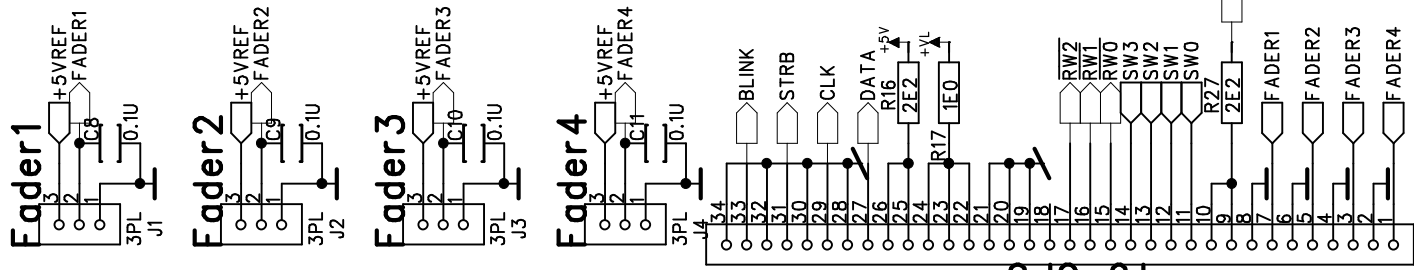


- J4 ○
- J10 ○
- J9 ○
- J8 ○
- J7 ○
- J6 ○
- J5 ○
- J2 ○
- J3 ○

MLX5578-34P

J1

To CPU



To CPU

Project: **Scorpius**  
 Title: **Modul Sw Cont.**  
 File: **SCSmod-sw\_a.sch**  
 code: **2085 1481**  
 Date: **04-01-2001**  
 Sheet: **1** of **1**

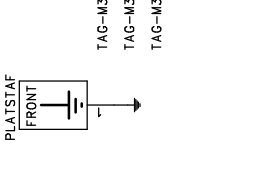
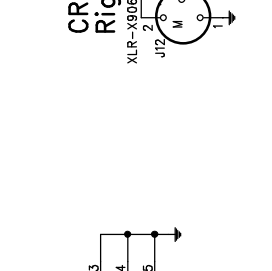
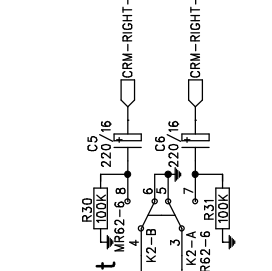
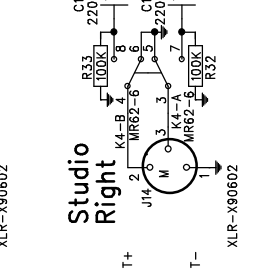
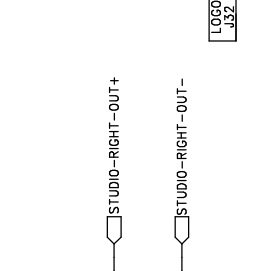
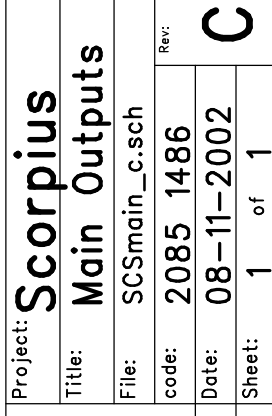
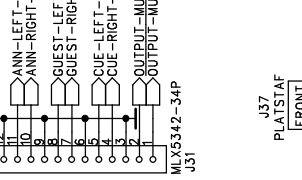
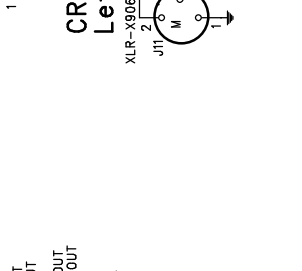
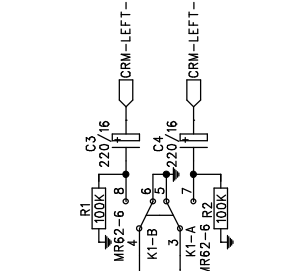
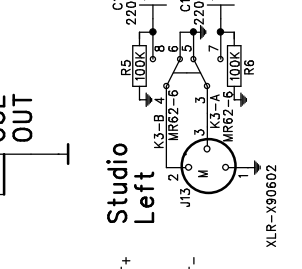
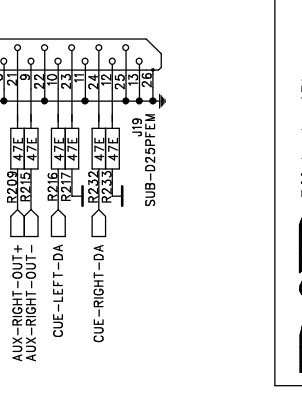
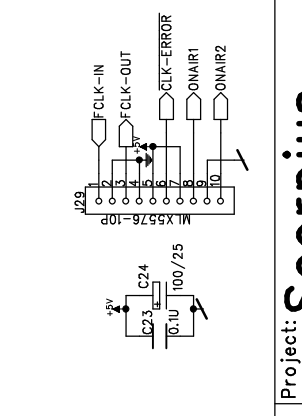
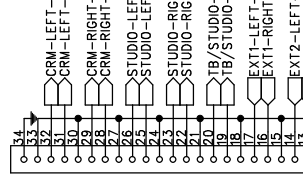
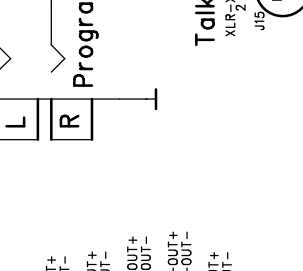
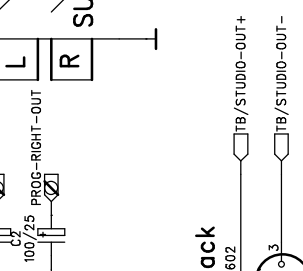
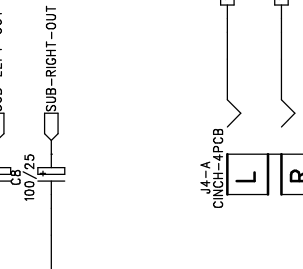
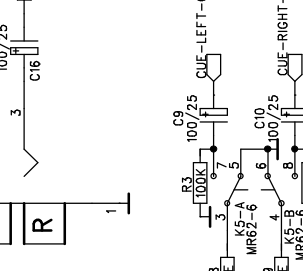
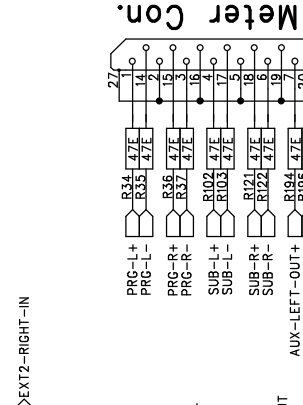
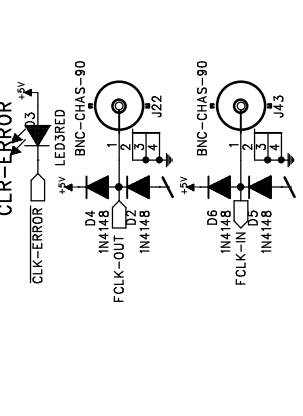
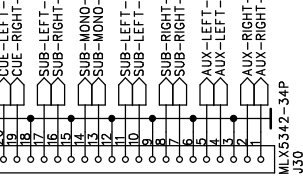
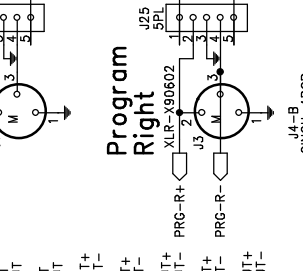
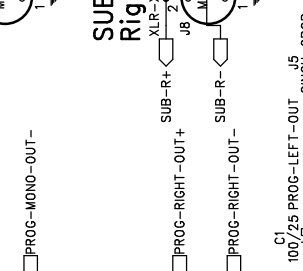
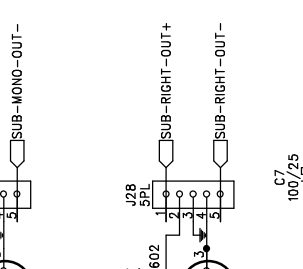
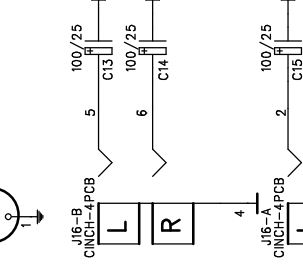
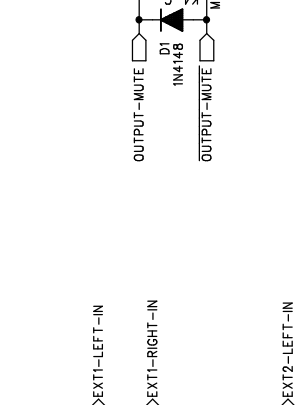
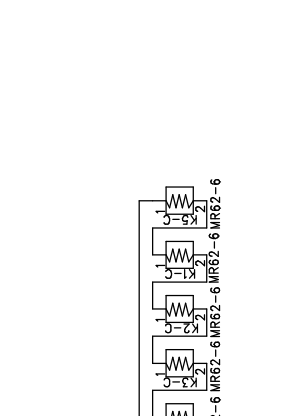
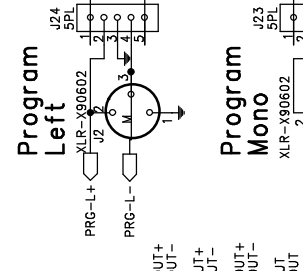
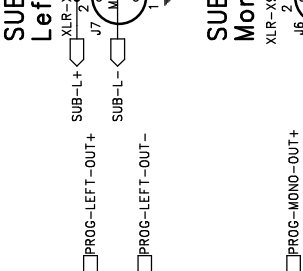
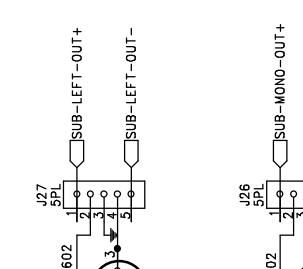
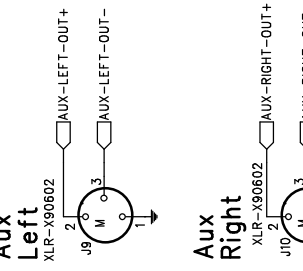
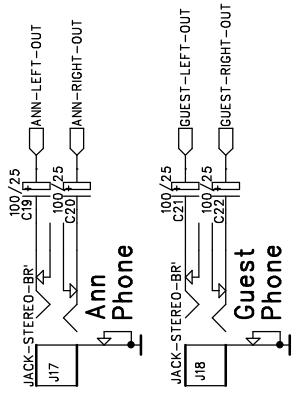
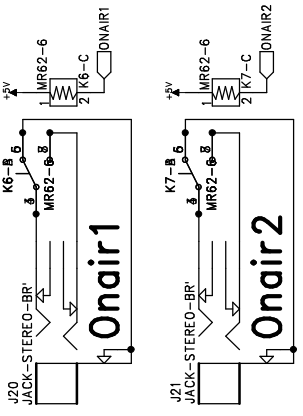


Rijnkade 15b  
 1382 GS Weesp  
 The Netherlands  
 phone: 0294-418014  
 fax: 0294-416987

**D&R Electronics B.V.**

Design: **Jan Betten**

Modify: \_\_\_\_\_



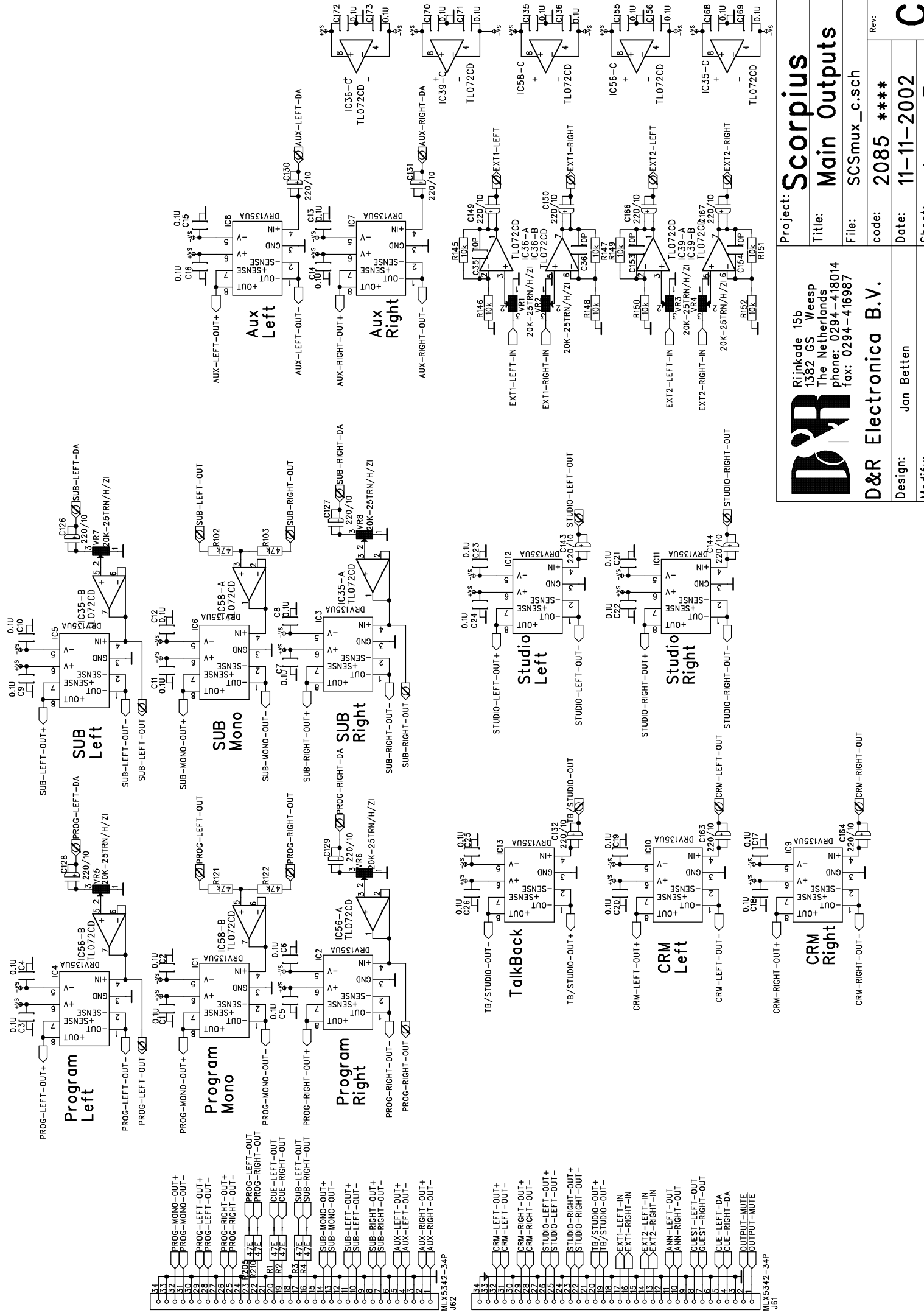
Project: **Scorpius**  
Title: **Main Outputs**  
File: **SCSmain\_c.sch**  
code: **2085 1486**  
Date: **08-11-2002**  
Sheet: **1** of **1**

Rijnkade 15b  
1382 GS Weesp  
The Netherlands  
phone: 0294-418014  
fax: 0294-416987

**D&R**  
**D&R Electronica B.V.**  
Design: Jan Betten  
Modify: L030  
J32

Rev: **C**





**Project:** Scorpius

**Title:** Main Outputs

**File:** SCSmux\_c.sch

**code:** 2085 \*\*\*\*

**Date:** 11-11-2002

**Sheet:** 1 of 7

**Rev:** C

---

**D&R**

Rijnkade 15b  
1382 GS Weesp  
The Netherlands  
phone: 0294-418014  
fax: 0294-416987

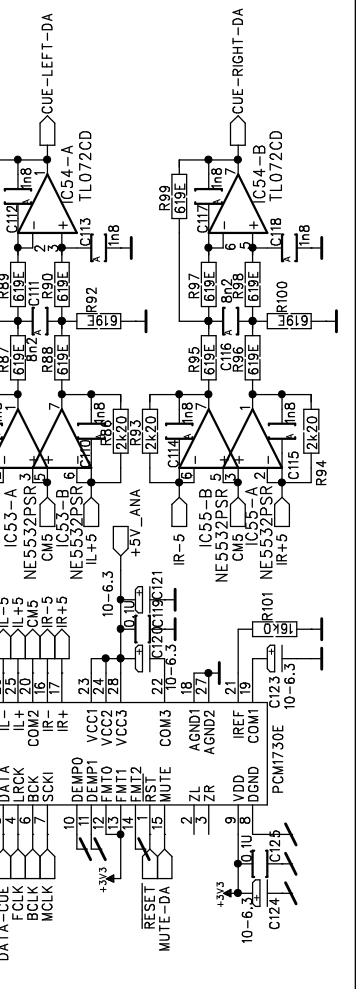
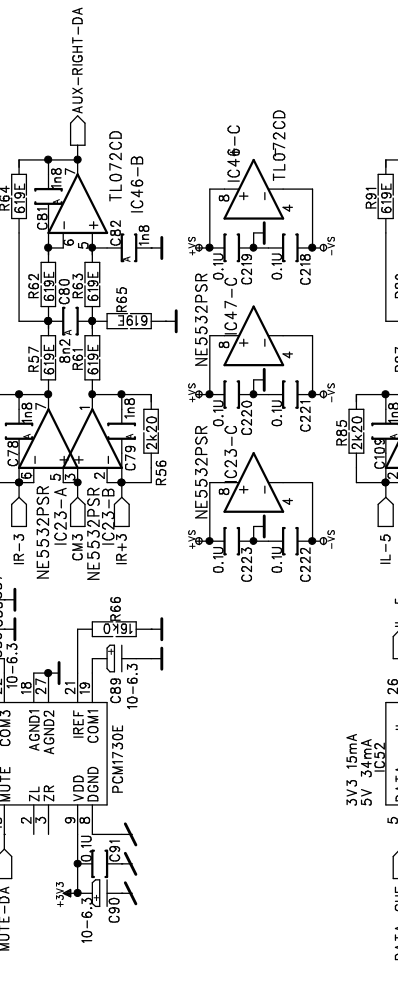
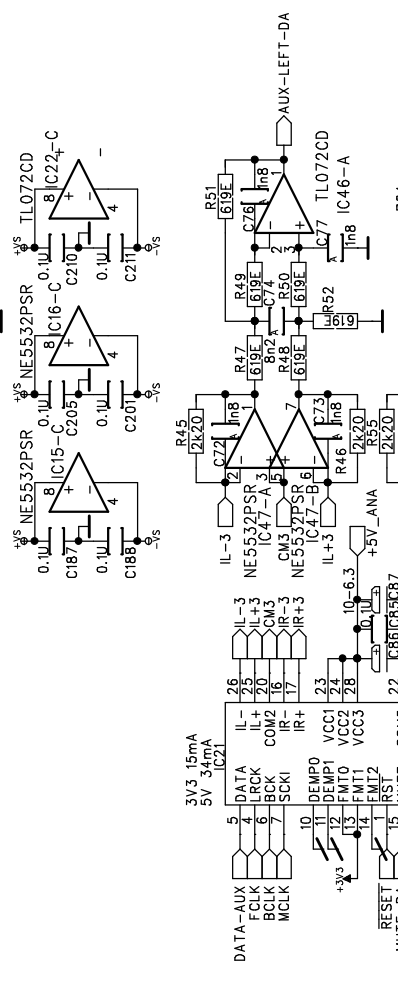
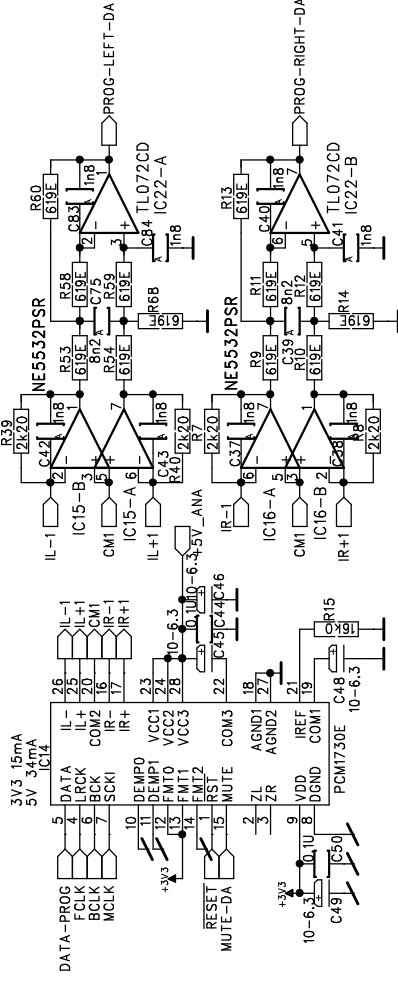
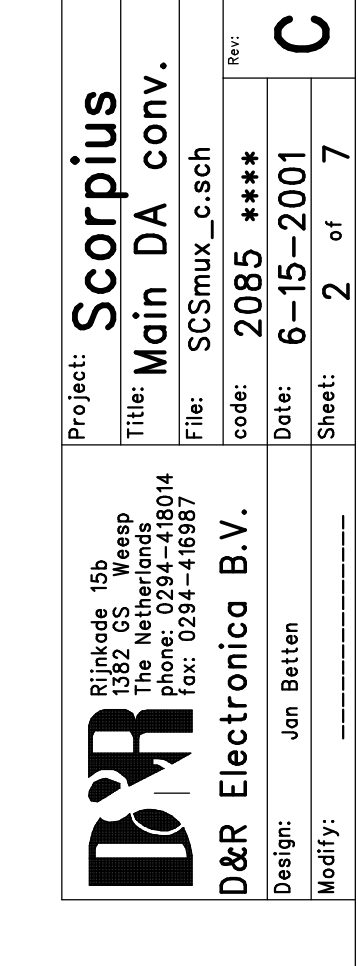
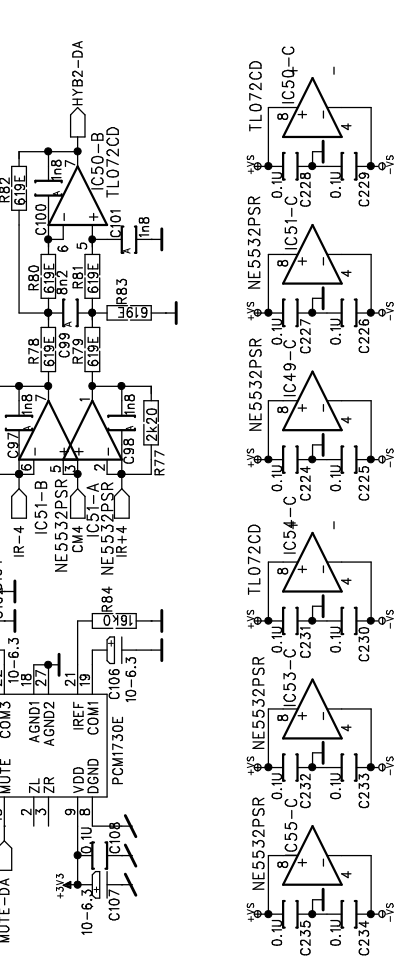
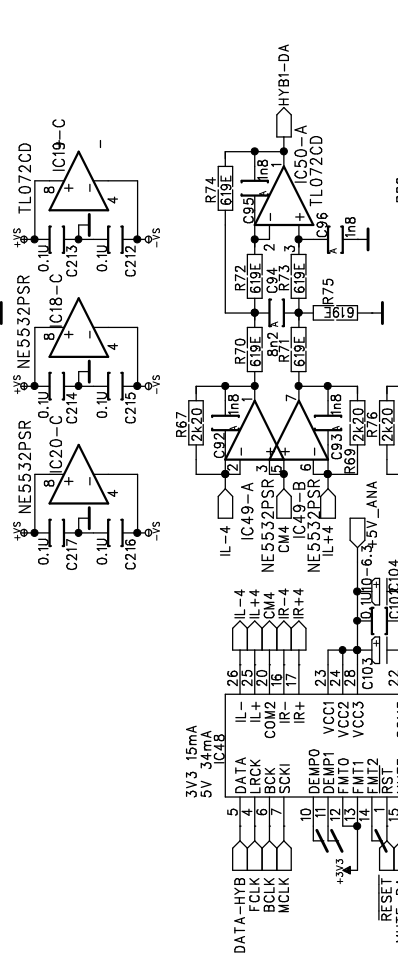
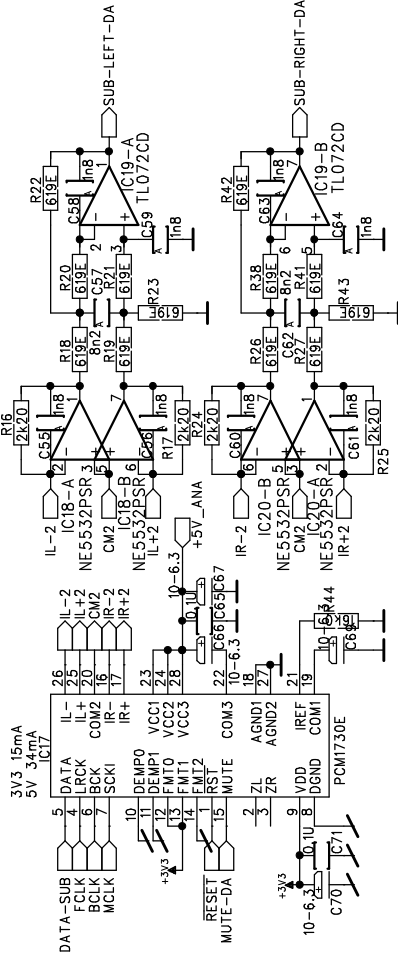
**D&R Electronica B.V.**

Design: Jan Betten

Modify: \_\_\_\_\_

- MLX5342-34P
- 34
  - 33
  - 32
  - 31
  - 30
  - 29
  - 28
  - 27
  - 26
  - 25
  - 24
  - 23
  - 22
  - 21
  - 20
  - 19
  - 18
  - 17
  - 16
  - 15
  - 14
  - 13
  - 12
  - 11
  - 10
  - 9
  - 8
  - 7
  - 6
  - 5
  - 4
  - 3
  - 2
  - 1
- J62

- MLX5342-34P
- 34
  - 33
  - 32
  - 31
  - 30
  - 29
  - 28
  - 27
  - 26
  - 25
  - 24
  - 23
  - 22
  - 21
  - 20
  - 19
  - 18
  - 17
  - 16
  - 15
  - 14
  - 13
  - 12
  - 11
  - 10
  - 9
  - 8
  - 7
  - 6
  - 5
  - 4
  - 3
  - 2
  - 1
- J61



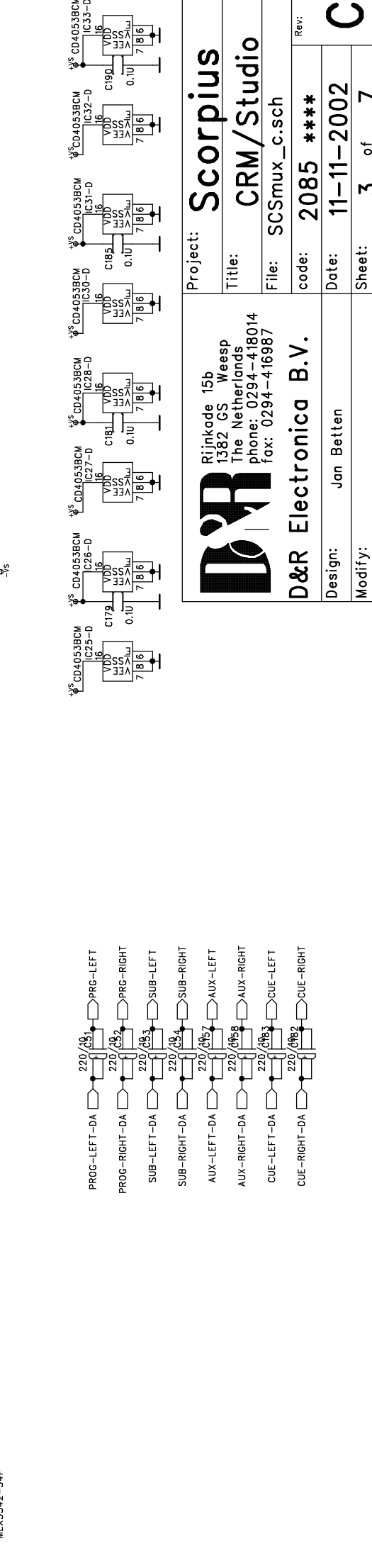
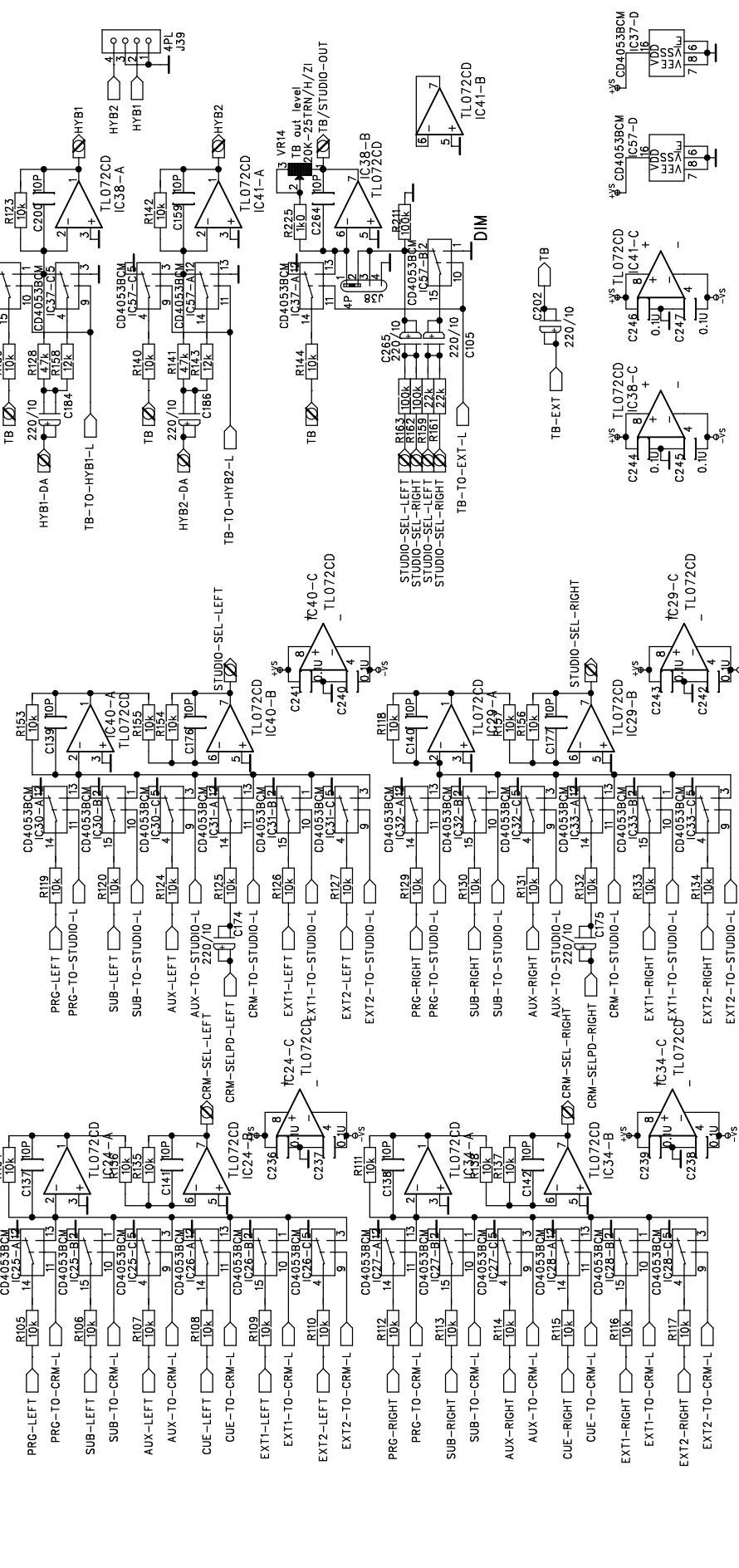
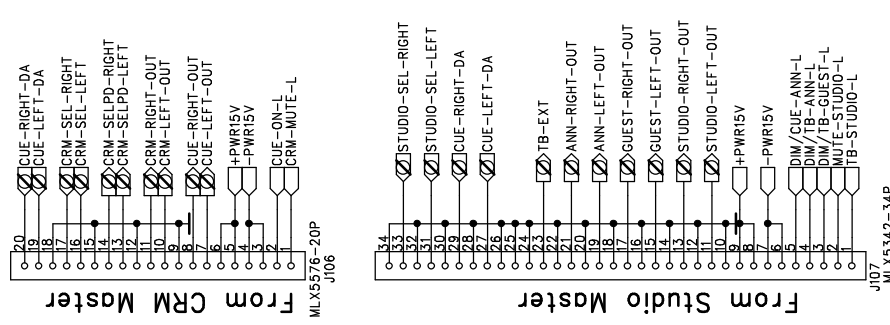
**Project:** Scorpis  
**Title:** Main DA conv.  
**File:** SCSmux\_c.sch  
**code:** 2085 \*\*\*  
**Date:** 6-15-2001  
**Sheet:** 2 of 7

**Design:** Jan Betten  
**Modify:**

**D&R**  
 Riinkade 15b  
 1382 GS Weesp  
 The Netherlands  
 phone: 0294-418014  
 fax: 0294-416987

**D&R Electronics B.V.**

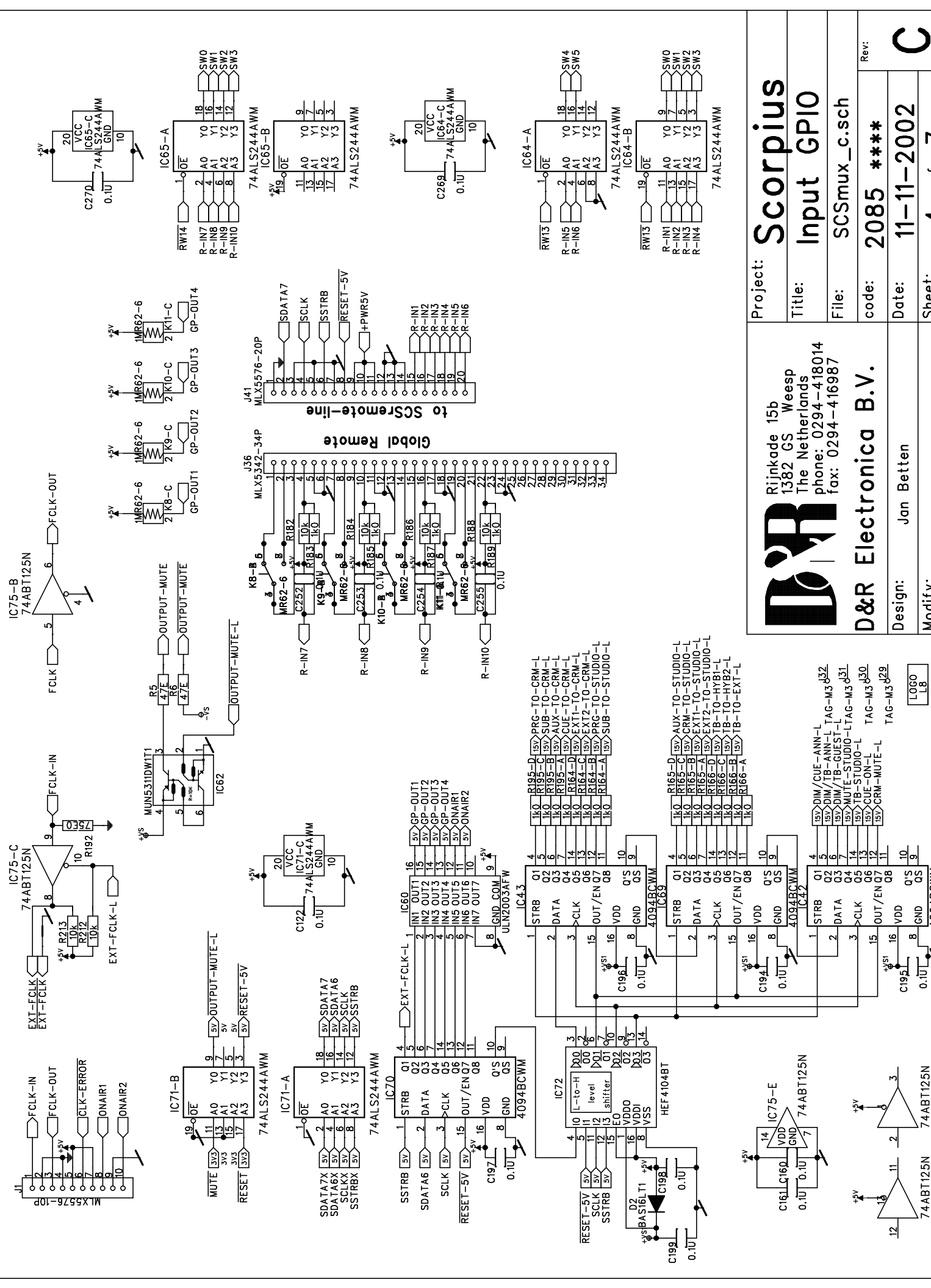
**Rev:**  
**2085 \*\*\***  
**6-15-2001**  
**2 of 7**  
**C**



Project: **Scorpius**  
 Title: **CRM/Studio**  
 File: **SCSmux\_c.sch**  
 code: **2085 \*\*\***  
 Date: **11-11-2002**  
 Sheet: **3 of 7**

**D&R**  
 Rijnkade 15b  
 1382 CS Weesp  
 The Netherlands  
 phone: 0294-418014  
 fax: 0294-416987

**D&R Electronics B.V.**  
 Design: **Jan Betten**  
 Modify: \_\_\_\_\_



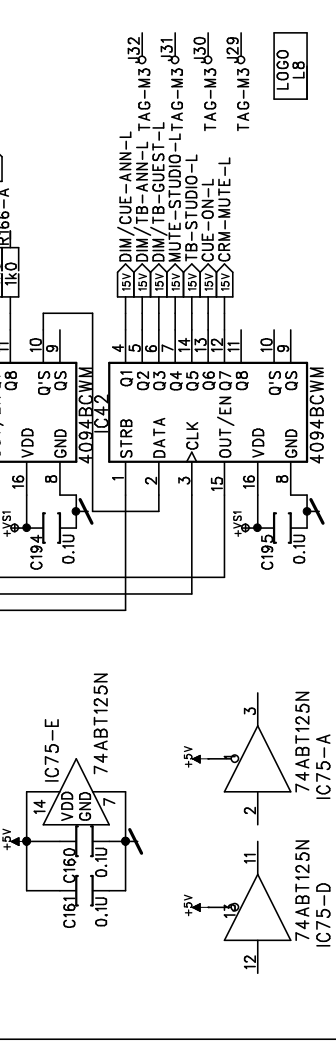
**Project:** Scorpius  
**Title:** Input GPIO  
**File:** SCSmux\_c.sch  
**code:** 2085 \*\*\*  
**Date:** 11-11-2002  
**Sheet:** 4 of 7

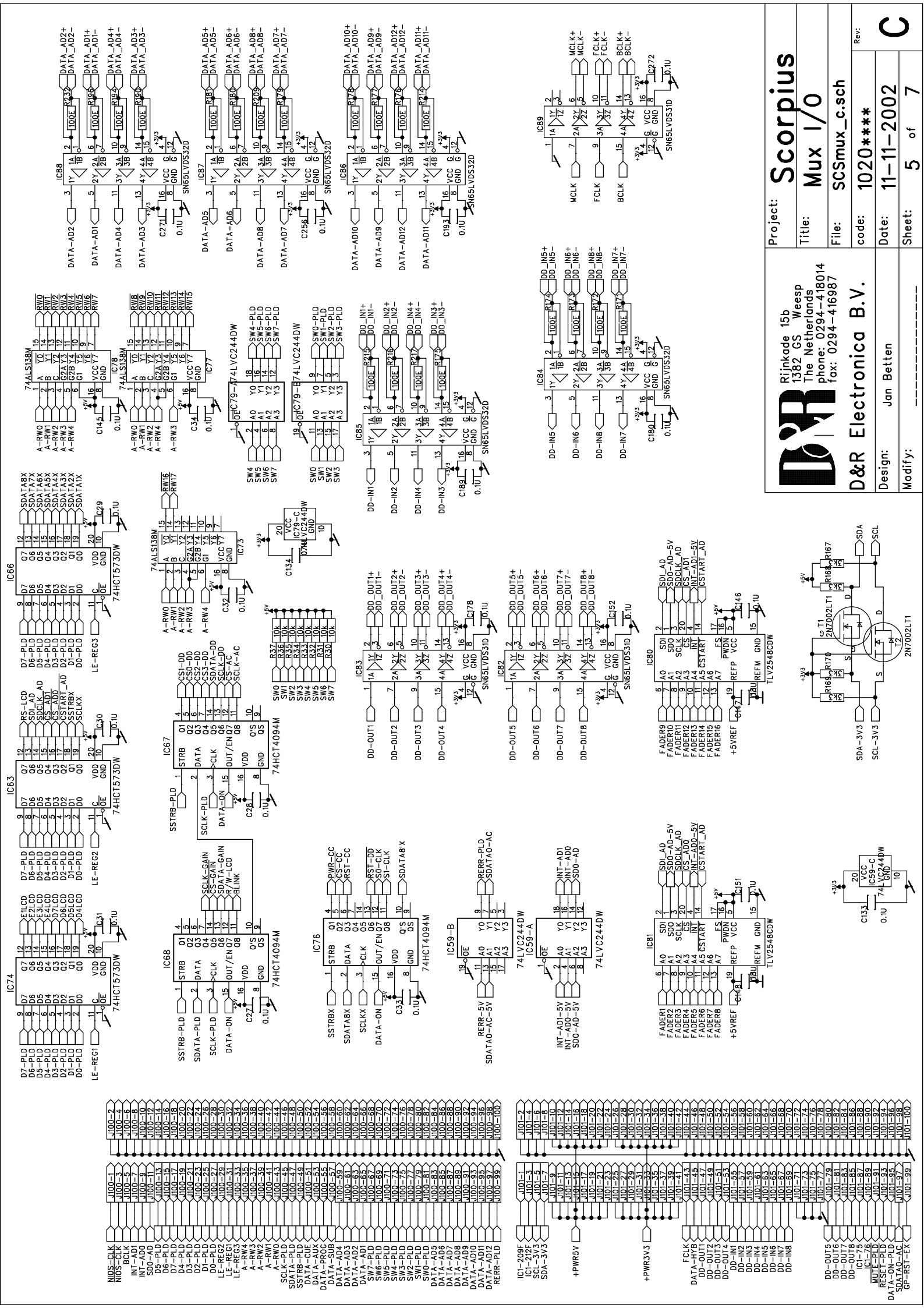
**Design:** Jan Betten  
**Modify:**

**D&R**  
 Rijkade 15b  
 1382 GS Weesp  
 The Netherlands  
 phone: 0294-418014  
 fax: 0294-416987

**D&R Electronics B.V.**  
 Design: Jan Betten  
 Modify:

**Project:** Scorpius  
**Title:** Input GPIO  
**File:** SCSmux\_c.sch  
**code:** 2085 \*\*\*  
**Date:** 11-11-2002  
**Sheet:** 4 of 7

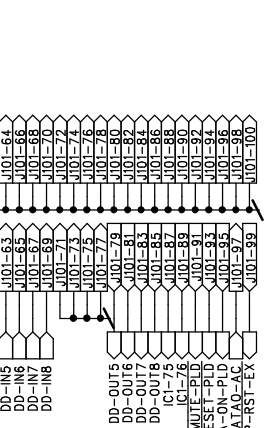
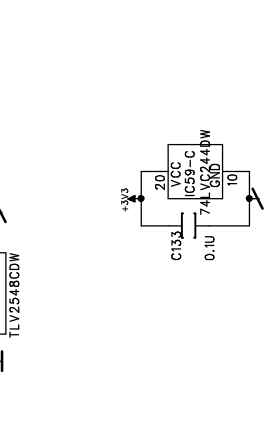
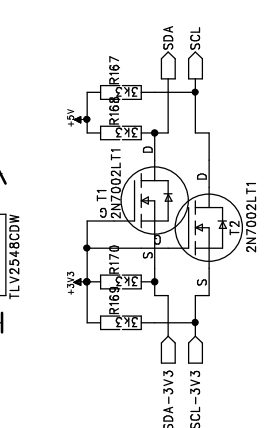


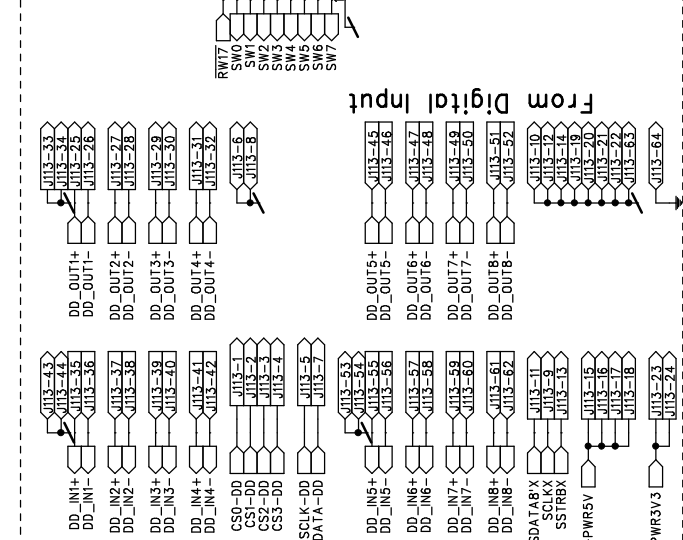
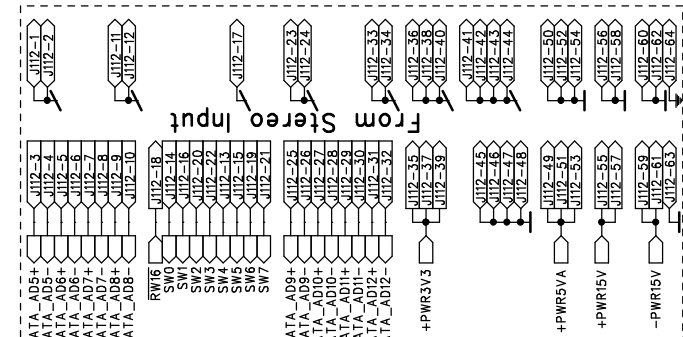
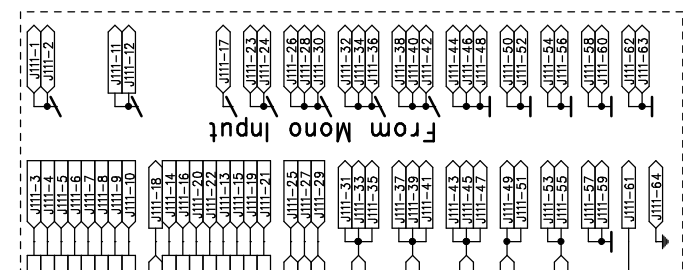
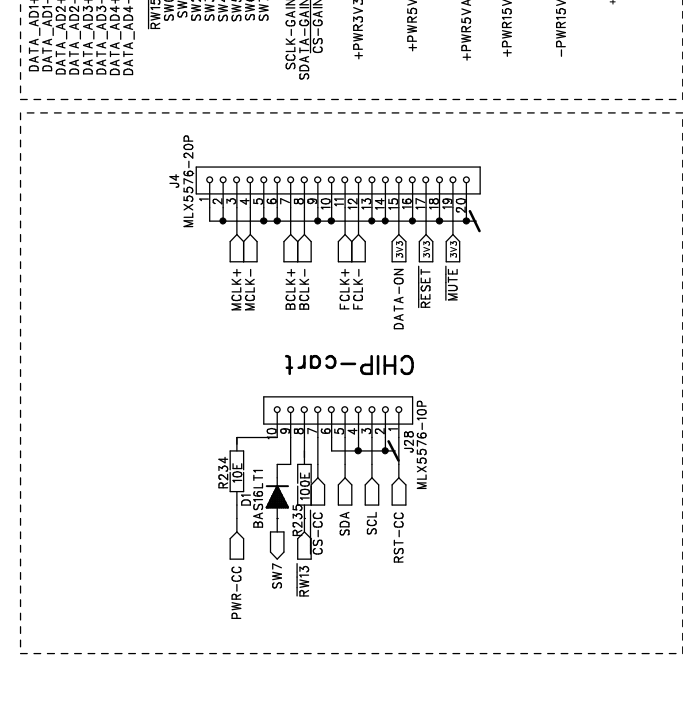
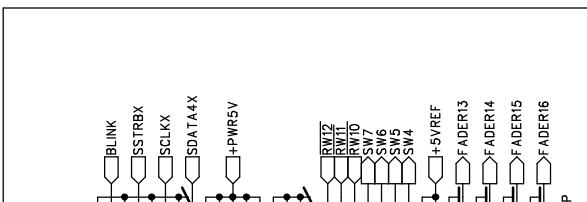
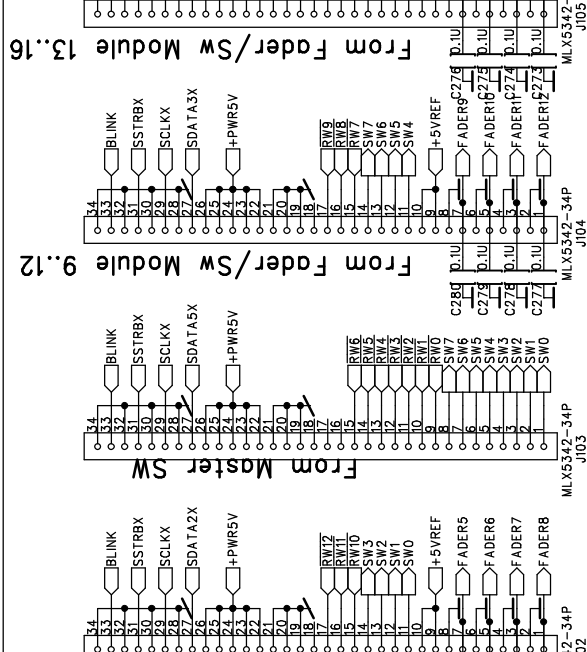
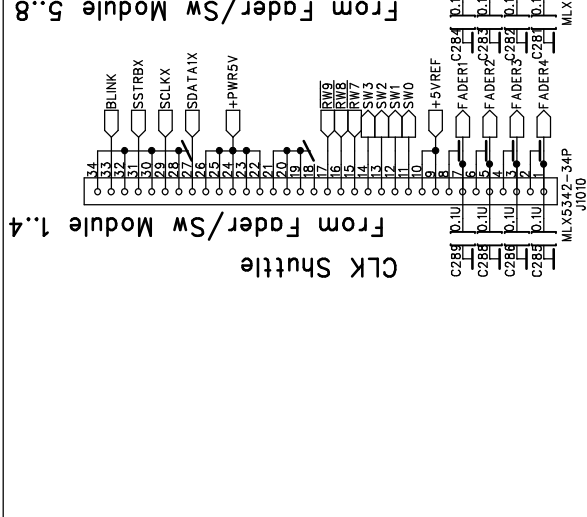
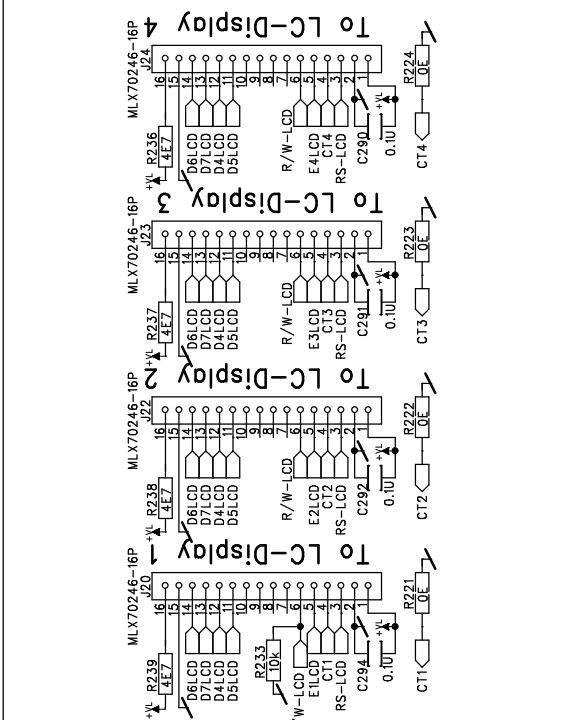


Project: **Scorpious**  
 Title: **Mux I/O**  
 File: **SCSmux\_c.sch**  
 code: **1020\*\*\*\***  
 Date: **11-11-2002**  
 Sheet: **5 of 7**

**D&R** Rijnkade 15b  
 1382 GS Weesp  
 The Netherlands  
 phone: 0294-418014  
 fax: 0294-416987

**D&R Electronics B.V.**  
 Design: Jan Betten  
 Modify:





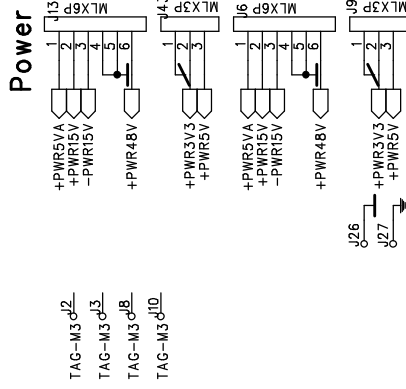
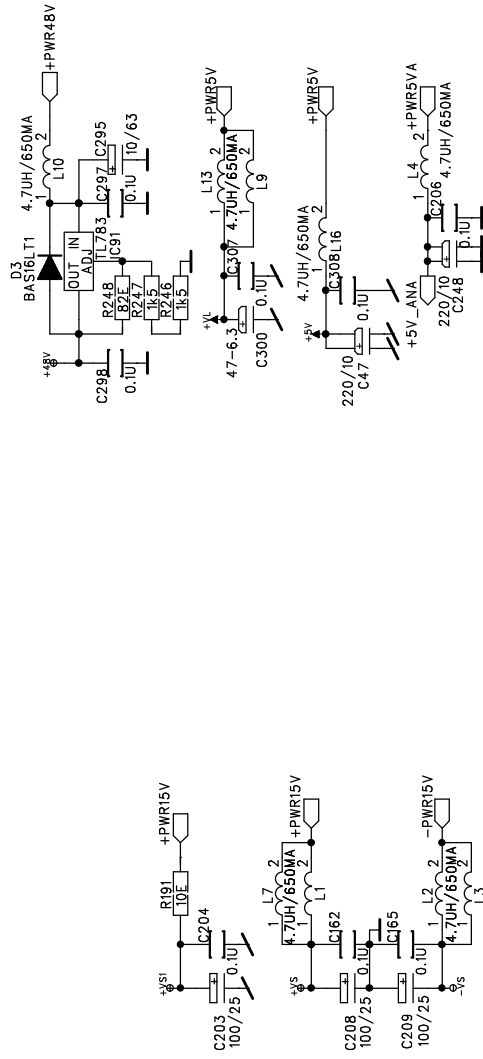
**D&R**  
Rijnkade 15b  
1382 GS Weesp  
The Netherlands  
phone: 0294-418014  
fax: 0294-416987

**Scorpius**  
Mux Conn.  
SCSmux\_c.sch  
code: 1020\*\*\*\*  
Date: 11-11-2002  
Sheet: 6 of 7

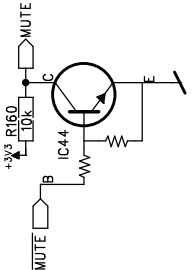
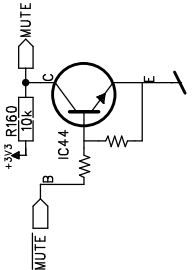
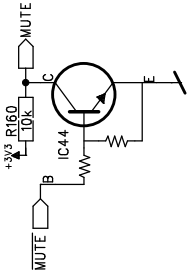
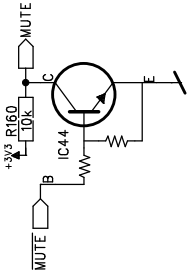
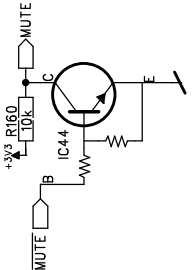
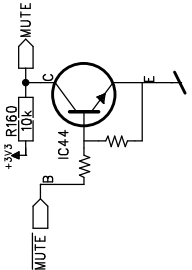
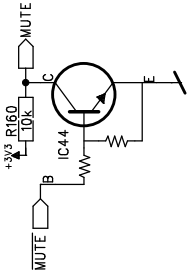
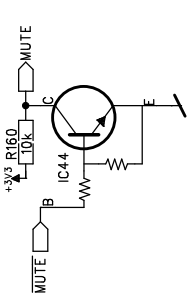
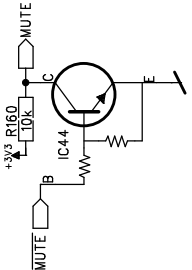
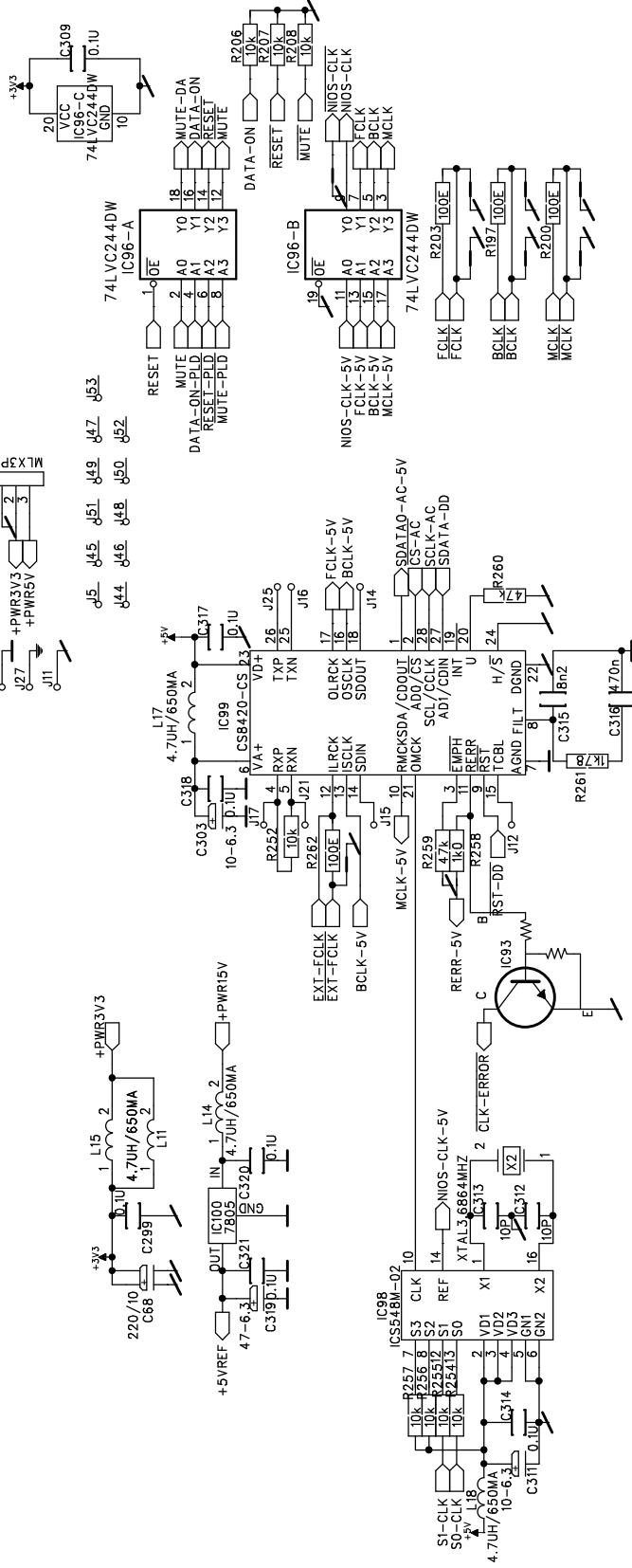
Project: Scorpius  
Title: Mux Conn.  
File: SCSmux\_c.sch  
code: 1020\*\*\*\*  
Date: 11-11-2002  
Sheet: 6 of 7

D&R Electronica B.V.  
Design: Jan Betten  
Modify:

Rev: **C**



	+PWR3V3	+PWR5V	+PWR5VA	PWR15V
SCSstudio-master				55mA
SCScrm-master				30mA
SCSmono-input	65mA	3mA	140mA	220mA
SCSremote-line		400mA		
SCSstereo-input	180mA		280mA	192mA
SCSdig-in/output	80mA	730mA		
SCSmad-sw 4x		1024mA		
SCSmaster-sw		208mA		
SCSmain				
SCSmux		575mA	1430mA	430mA
SCS audio totaal		900mA	3795mA	590mA
SCS PC				927mA
SCS HD/FD				
SCS totaal				



	+2V5	+3V3	+5V	+5V_ANA	+5V	-VS
PLD	280mA	320mA				
PCMI730	5 x 15mA	5 x 34mA				
NE5532			10 x 10mA	10 x 10mA		
OPA2134			5 x 8mA	5 x 8mA		
TL072			12 x 5mA	12 x 5mA		
DRV134			13 x 10mA	13 x 10mA		
CS8420			70mA			
LVDS31	6 x 25mA					
LVDS32	7 x 10mA					
LCD40x2	4 x 200mA					
Relais	6 x 40mA					
Logic			1 x 100mA	1 x 100mA		
Total master	0mA	575mA	1430mA	170mA	430mA	

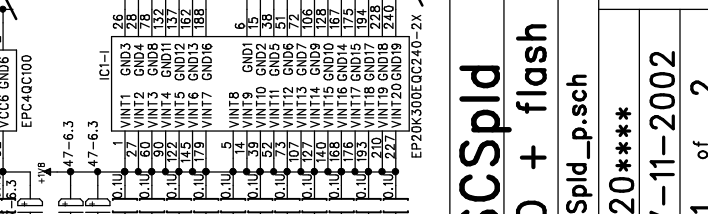
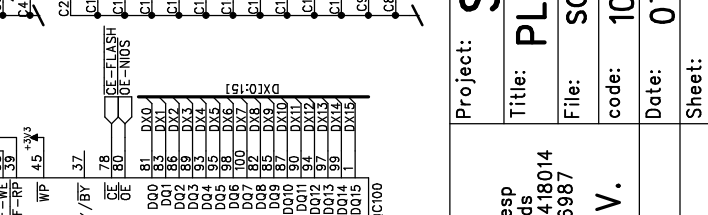
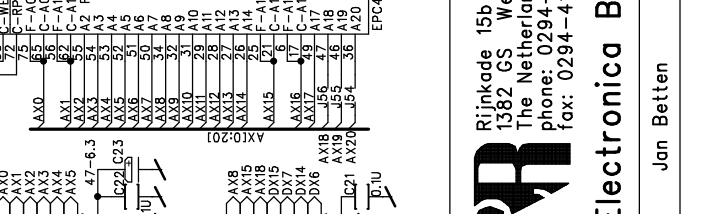
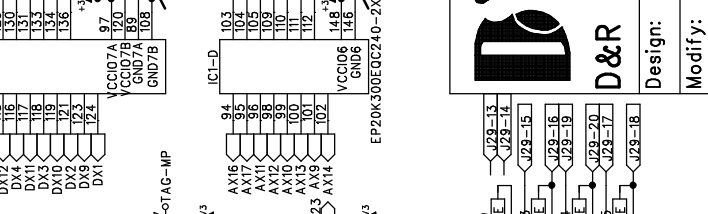
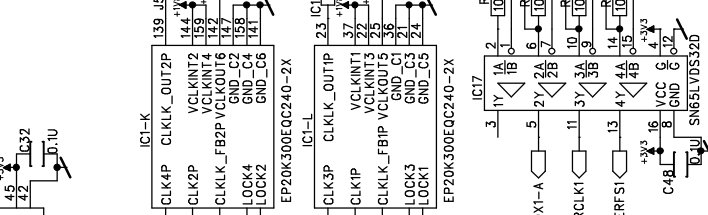
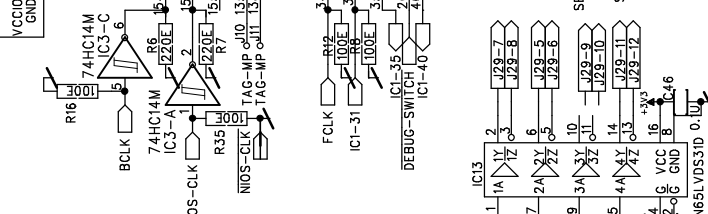
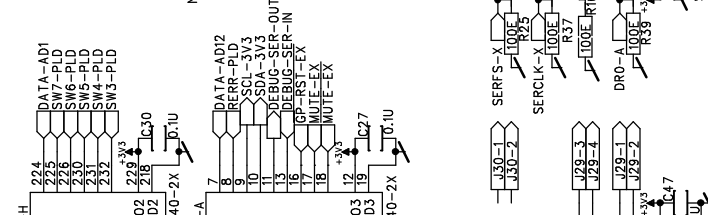
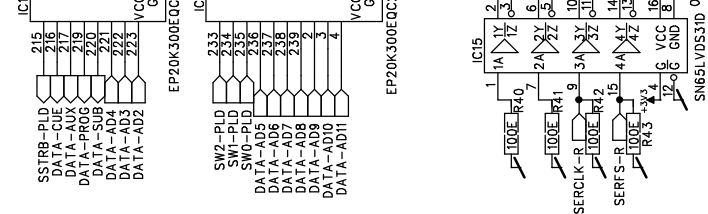
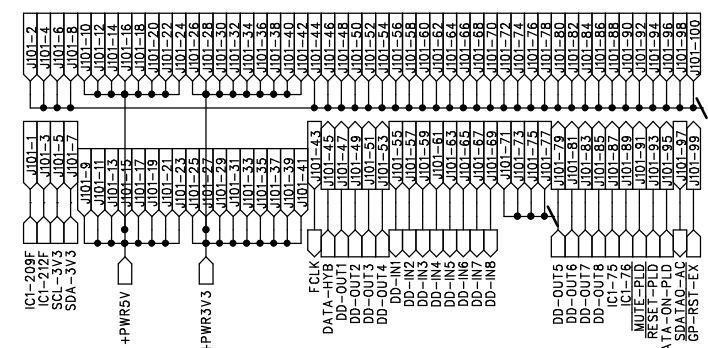
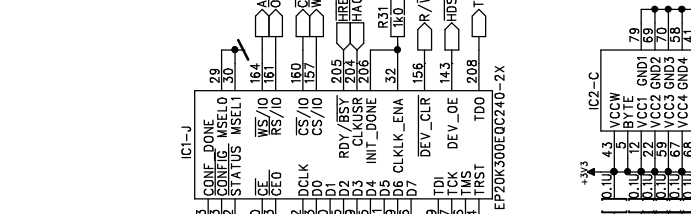
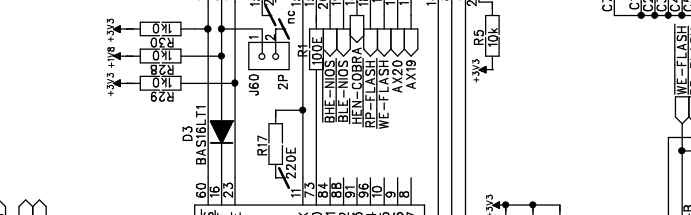
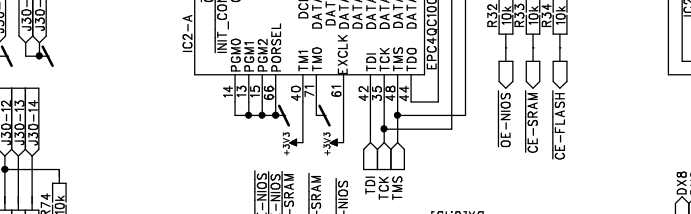
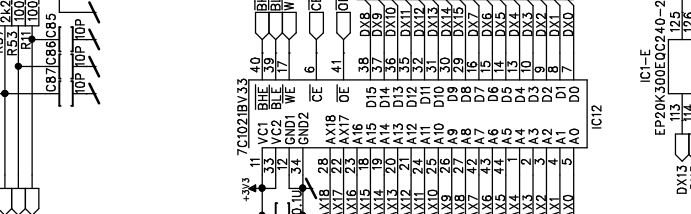
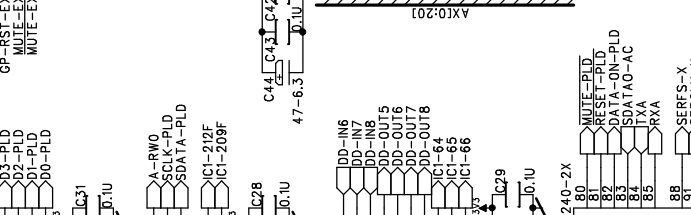
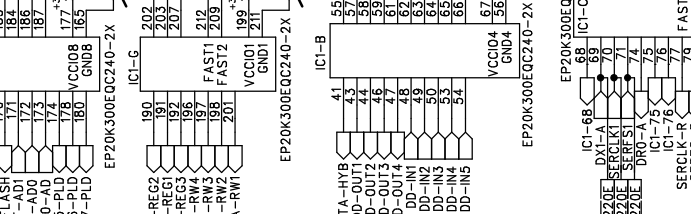
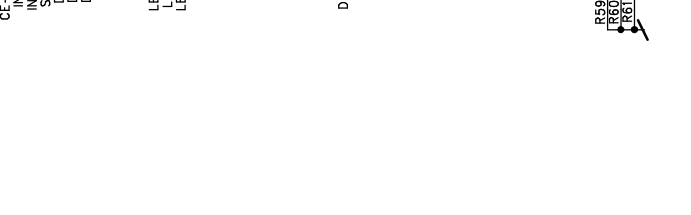
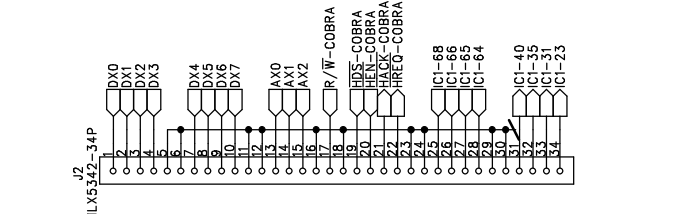
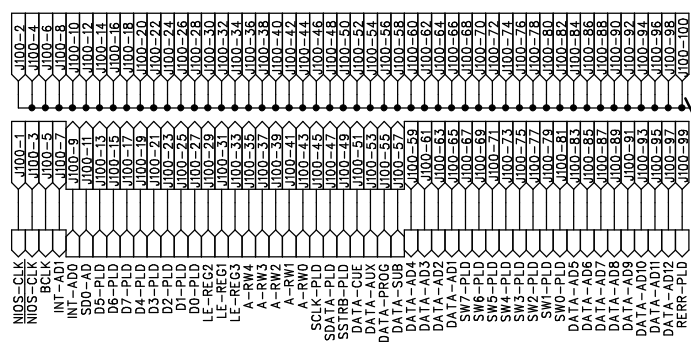
FEDUCIAL <sub>ED1</sub>
FEDUCIAL <sub>ED2</sub>
FEDUCIAL <sub>ED3</sub>
FEDUCIAL <sub>ED4</sub>
FEDUCIAL <sub>ED5</sub>
FEDUCIAL <sub>ED6</sub>
FEDUCIAL <sub>ED7</sub>
FEDUCIAL <sub>ED8</sub>

**D&R**  
 Rijnkade 15b  
 1382 GS Weesp  
 The Netherlands  
 phone: 0294-418014  
 fax: 0294-416987

**D&R Electronics B.V.**  
 Design: Jan Betten  
 Modify: \_\_\_\_\_

Project: **Scorpius**  
 Title: **Mux power**  
 File: **SCSmux\_c.sch**  
 code: **1020\*\*\*\***  
 Date: **11-11-2002**  
 Sheet: **7 of 7**

Rev: **C**



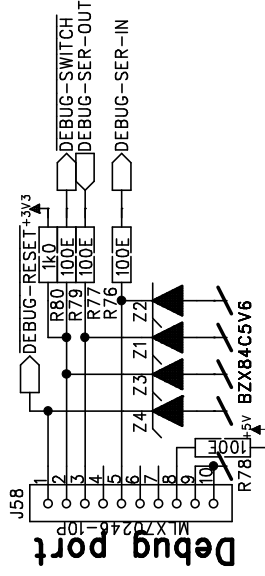
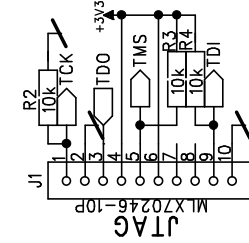
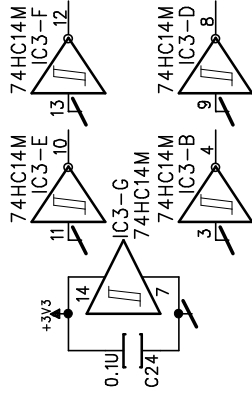
**Project:** SCSpid  
**Title:** PLD + flash  
**File:** SCSpid\_p.sch  
**code:** 1020\*\*\*\*  
**Date:** 07-11-2002  
**Sheet:** 1 of 2

**D&R** Rijnkade 15b  
 1382 GS Weesp  
 The Netherlands  
 phone: 0294-418014  
 fax: 0294-416987

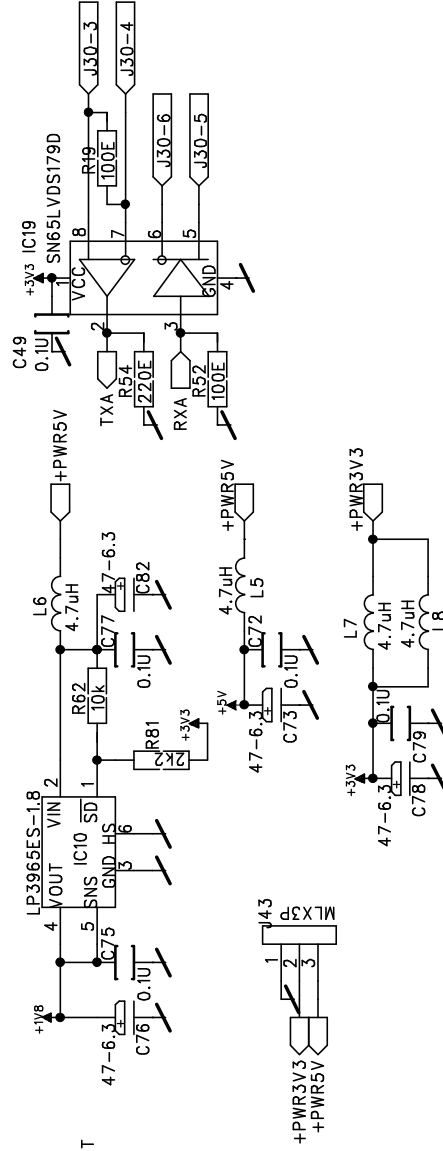
**D&R Electronica B.V.**  
 Design: Jan Betten  
 Modify:

Rev: **P**





LOGO  
J7



**D&R**  
Rijnkade 15b  
1382 GS Weesp  
The Netherlands  
phone: 0294-418014  
fax: 0294-416987

Project: SCSpld

Title: PLD + flash

File: SCSpld\_p.sch

code: 1020\*\*\*\*

Rev:

Date: 07-11-2002

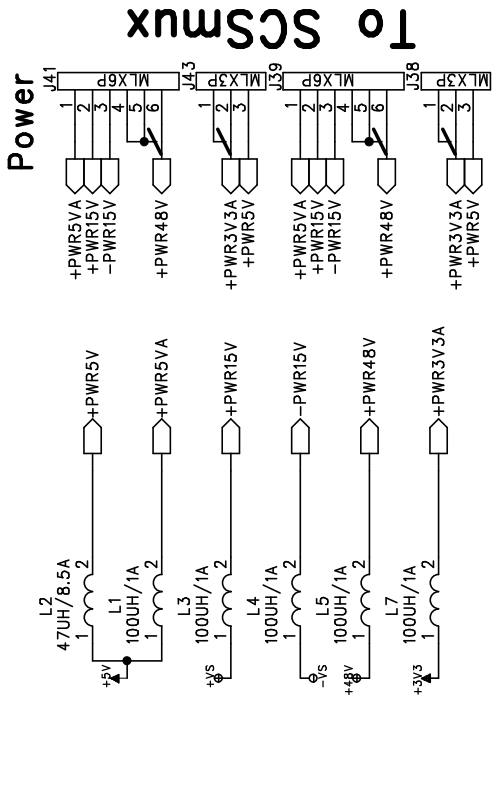
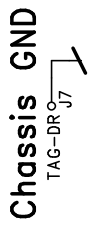
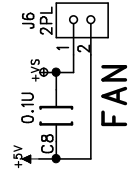
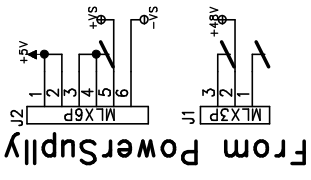
P

Sheet: 2 of 2

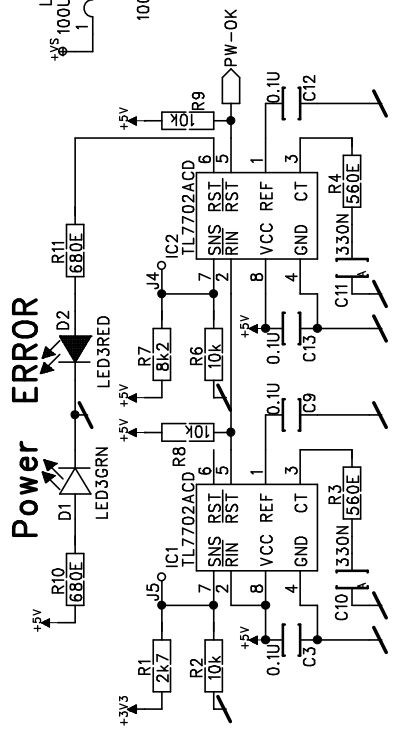
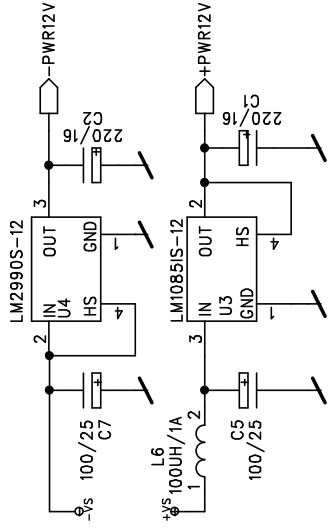
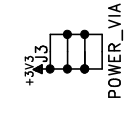
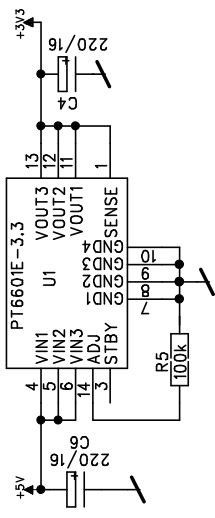
Design: Jan Betten

Modify: -----

D&R Electronica B.V.



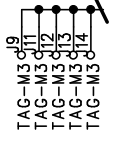
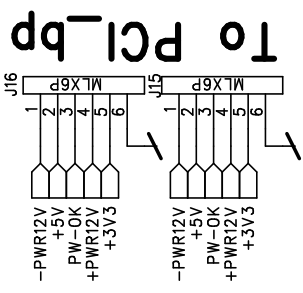
To SCSmux



Power ERROR

	+PWR3V3	+PWR5V	+PWR5VA	PWR15V
SCSstudio-master				55mA
SCSscrm-master				30mA
SCSmono-input	65mA	3mA	140mA	220mA
SCSremote-line	400mA			
SCSstereo-input	180mA		280mA	192mA
SCSdig-in/output	80mA	730mA		
SCSmod-sw 4x	1024mA			
SCSmaster-sw	208mA			
SCSmain	95mA	240mA	170mA	430mA
SCSmux	500mA	1246mA		
SCS audio total	920mA	3851mA	590mA	927mA
SCS PC	2000mA	4200mA		1mA
SCS HD/FD		1600mA		2400mApeak 233mAAnom
		3510mA		
SCS total	2920mA	13161mA	590mA	3328mAmax 1161mAAnom

2401mAmax (12V)  
231mAAnom (12V)  
927mAAnom (15V)



Project: **Scorpius**  
 Title: **Power Distribution**  
 File: **SCSpower-dis\_p.sch**  
 code: **2085 1492**  
 Date: **12-04-2002**  
 Sheet: **1 of 1**

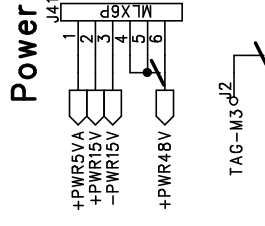
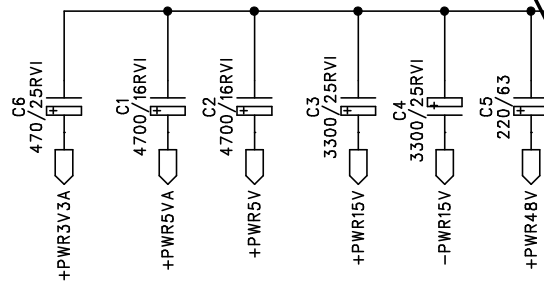
**D&R**  
 Rijnkade 15b  
 1382 GS Weesp  
 The Netherlands  
 phone: 0294-418014  
 fax: 0294-416987

**D&R Electronica B.V.**

Design: **Karl de Boois**  
 Modify: **Jan Betten**

Rev:

**P**



To SCSmux



Rijnkade 15b  
1382 GS Weesp  
The Netherlands  
phone: 0294-418014  
fax: 0294-416987

D&R Electronica B.V.

Design: Karl de Boois

Modify: Jan Betten

Project: <b>Scorpius</b>	
Title: <b>Condensators</b>	
File: SCSpower-dis_condensators.sch	Rev:
code: <b>2085 1492</b>	
Date: <b>12-04-2002</b>	
Sheet: <b>1</b>	of <b>1</b>

**P**