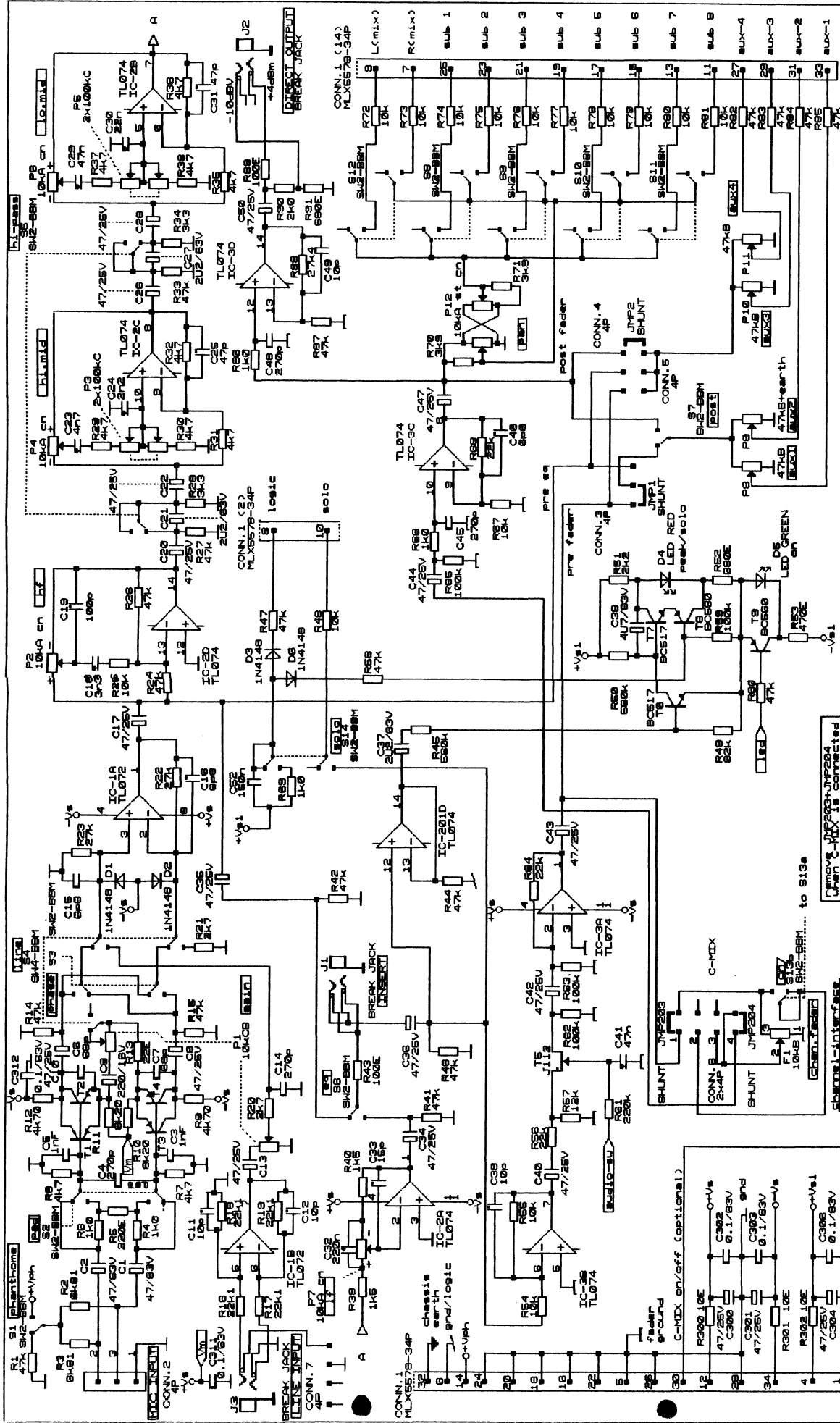


"STYLYX"

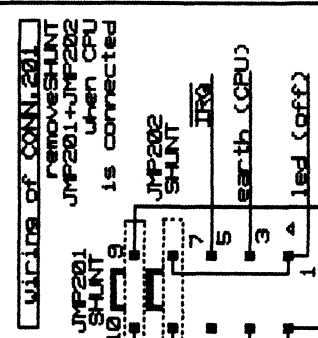
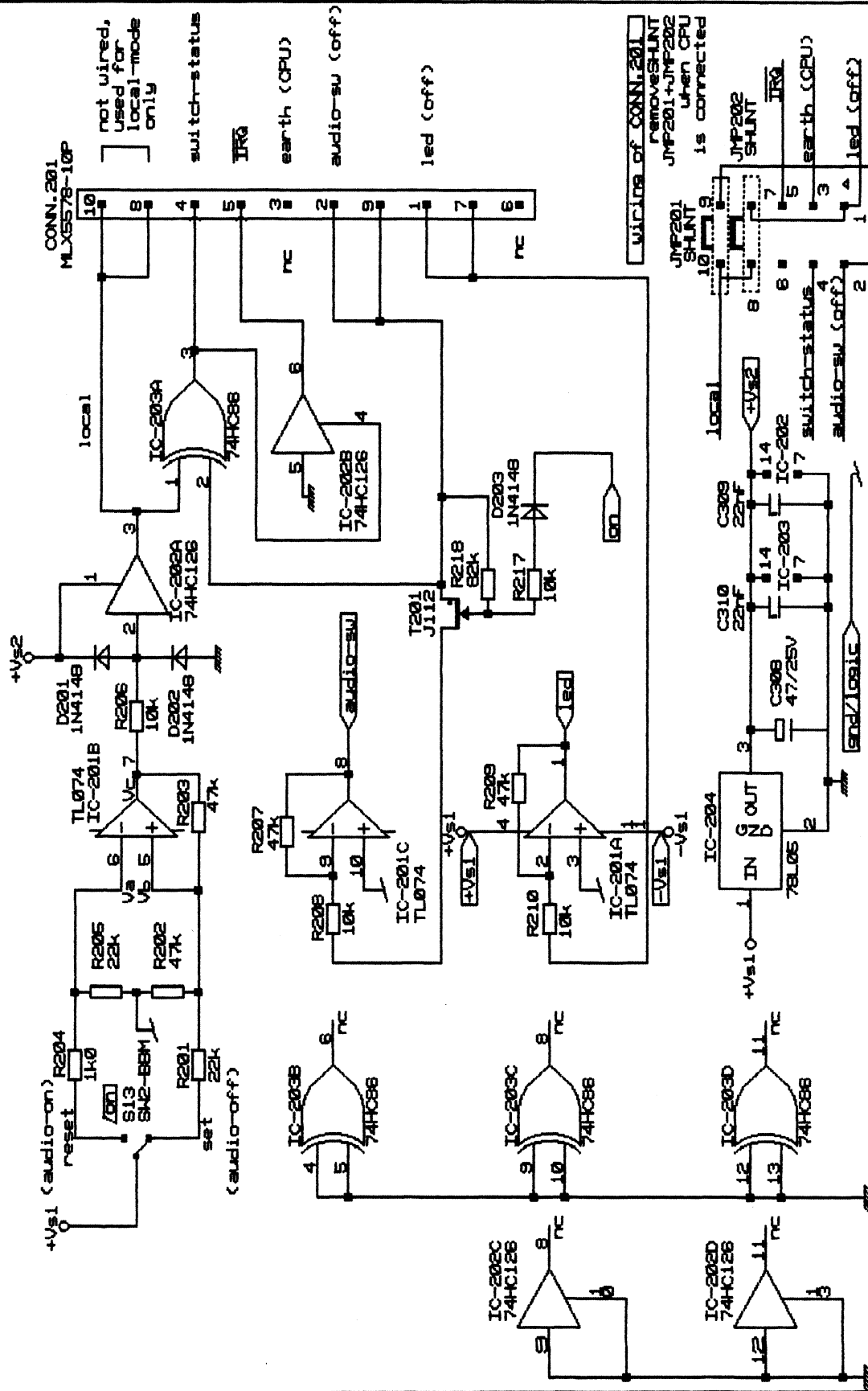
SERVICE MANUAL

DNR



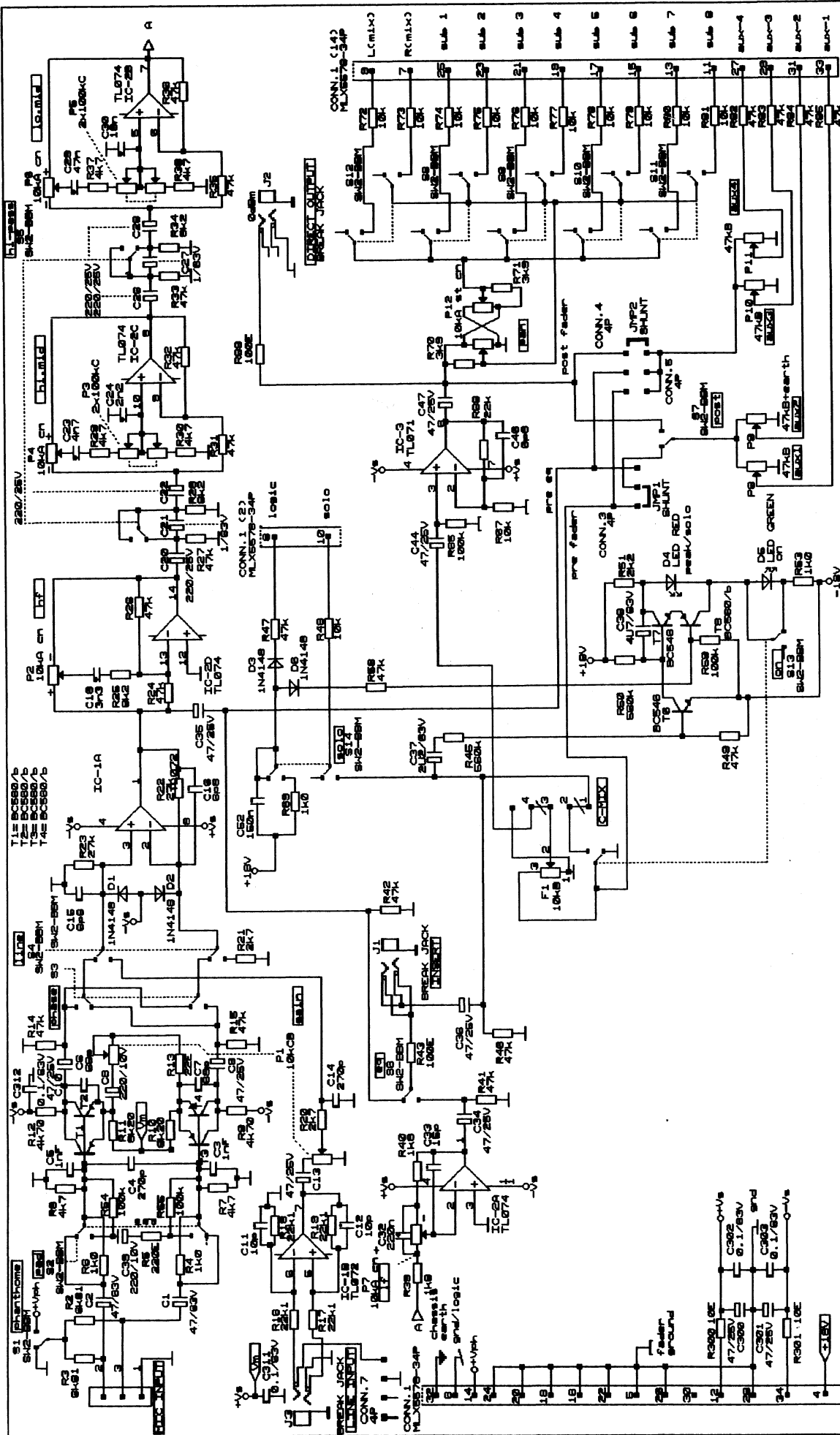
CONN. 1 (14)	CONN. 2 (2)	CONN. 3 (2)	CONN. 4 (4P)	CONN. 5 (4P)	CONN. 6 (2x4P)	CONN. 7 (4P)	CONN. 8 (2x4P)	CONN. 9 (2x4P)	CONN. 10 (2x4P)	CONN. 11 (2x4P)	CONN. 12 (2x4P)	CONN. 13 (2x4P)	CONN. 14 (2x4P)	CONN. 15 (2x4P)	CONN. 16 (2x4P)	CONN. 17 (2x4P)	CONN. 18 (2x4P)	CONN. 19 (2x4P)	CONN. 20 (2x4P)	CONN. 21 (2x4P)	CONN. 22 (2x4P)	CONN. 23 (2x4P)	CONN. 24 (2x4P)	CONN. 25 (2x4P)	CONN. 26 (2x4P)	CONN. 27 (2x4P)	CONN. 28 (2x4P)	CONN. 29 (2x4P)	CONN. 30 (2x4P)	CONN. 31 (2x4P)	CONN. 32 (2x4P)	CONN. 33 (2x4P)	CONN. 34 (2x4P)	CONN. 35 (2x4P)	CONN. 36 (2x4P)	CONN. 37 (2x4P)	CONN. 38 (2x4P)	CONN. 39 (2x4P)	CONN. 40 (2x4P)
1	2	3	4	5	6	7	8	9	10	11	12	13	14	15	16	17	18	19	20	21	22	23	24	25	26	27	28	29	30	31	32	33	34	35	36	37	38	39	40

THIS DRAWING REPLACES PREVIOUS ONES
 DRAWN BY: [Name]
 CHECKED BY: [Name]
 DATE: April 7, 1988



THIS DRAWING REPLACES PREVIOUS ONES		STYLIX-1 mono channel	
INDEX	P	Size Document Number	A
NO. BY		stylix channel interface	a
DATE	23-10-87	Date: February 23, 1988	Sheet 2 of 2
DESIGN	J. de Vries		
DRAWN	J. de Vries		

Rijksdrukkerij 15b
 1382 GS WEESP
 Tel: 02940-18014
 Fax: 02940-16987
 Tlx: 16903 d n l
 Electronics by HOLLAND

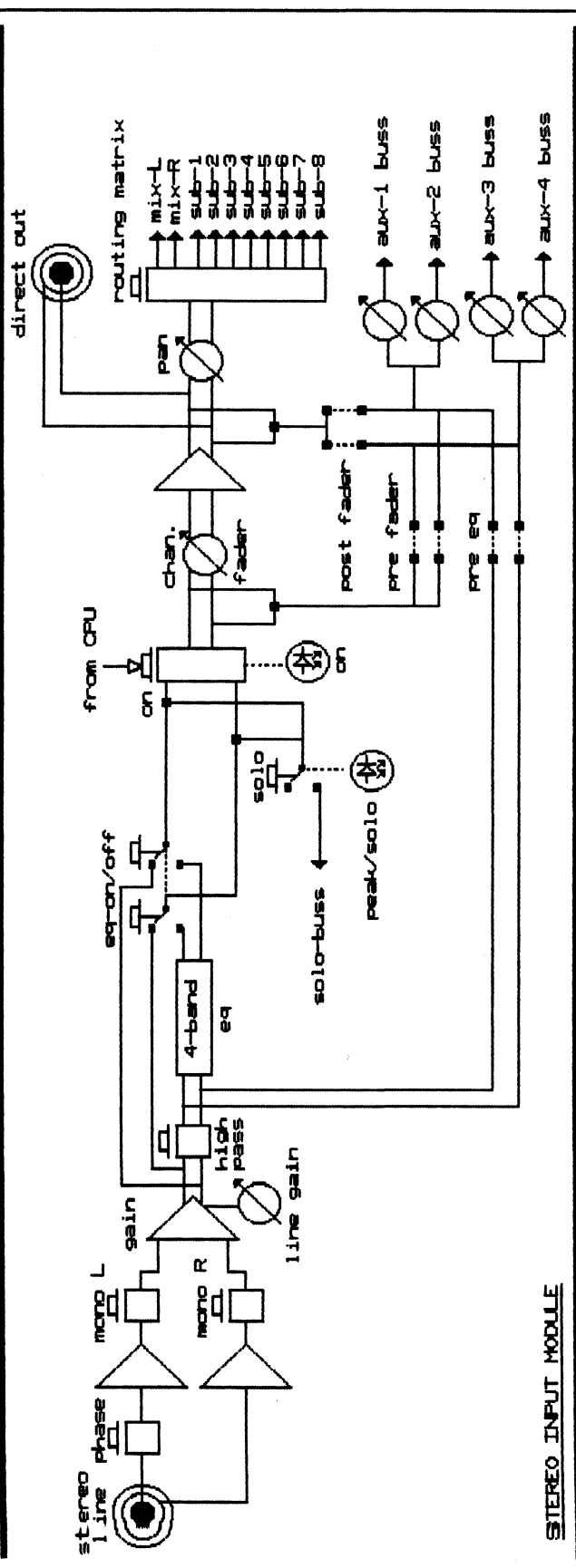
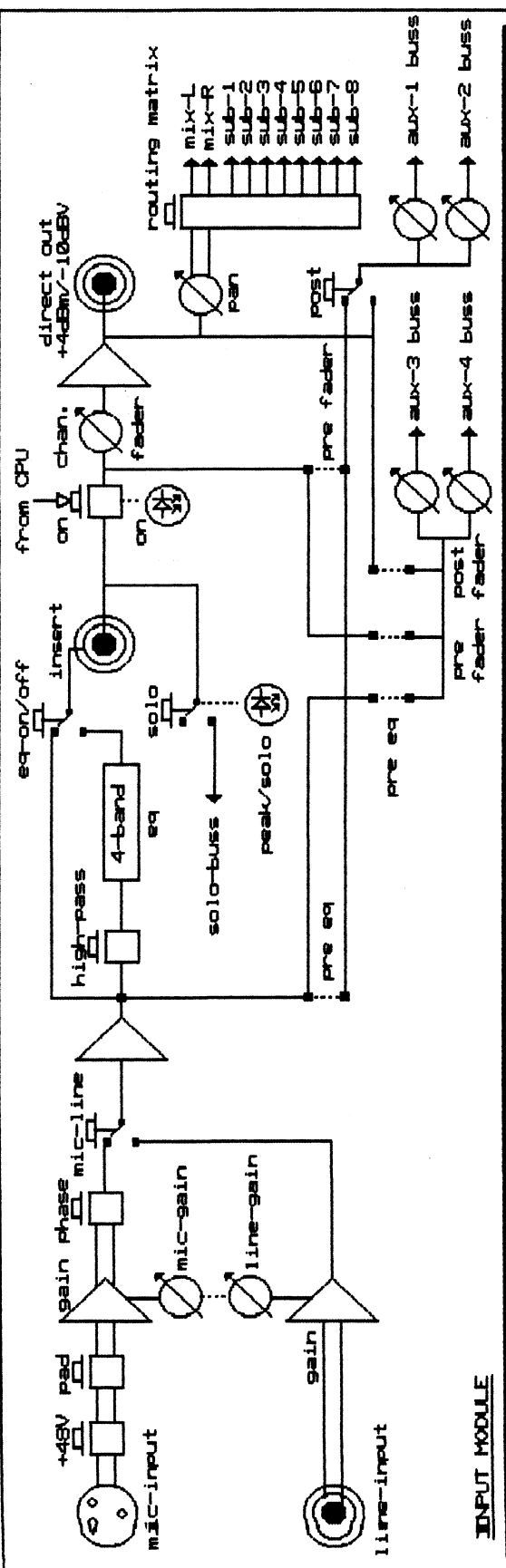


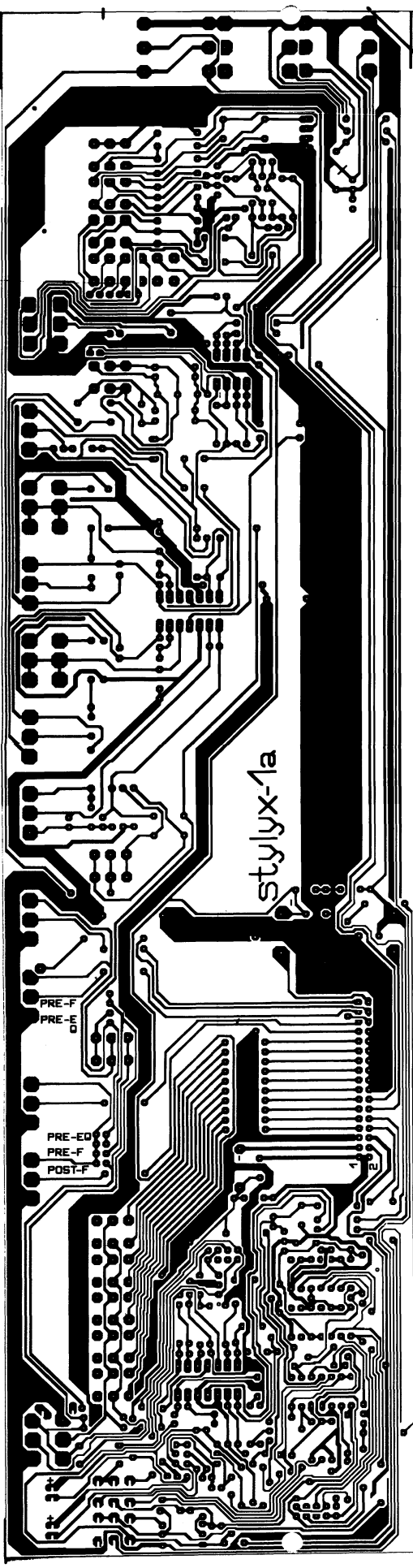
T1= BC860/B
 T2= BC860/B
 T3= BC860/B

I10A
 S1 3A2-5BM1

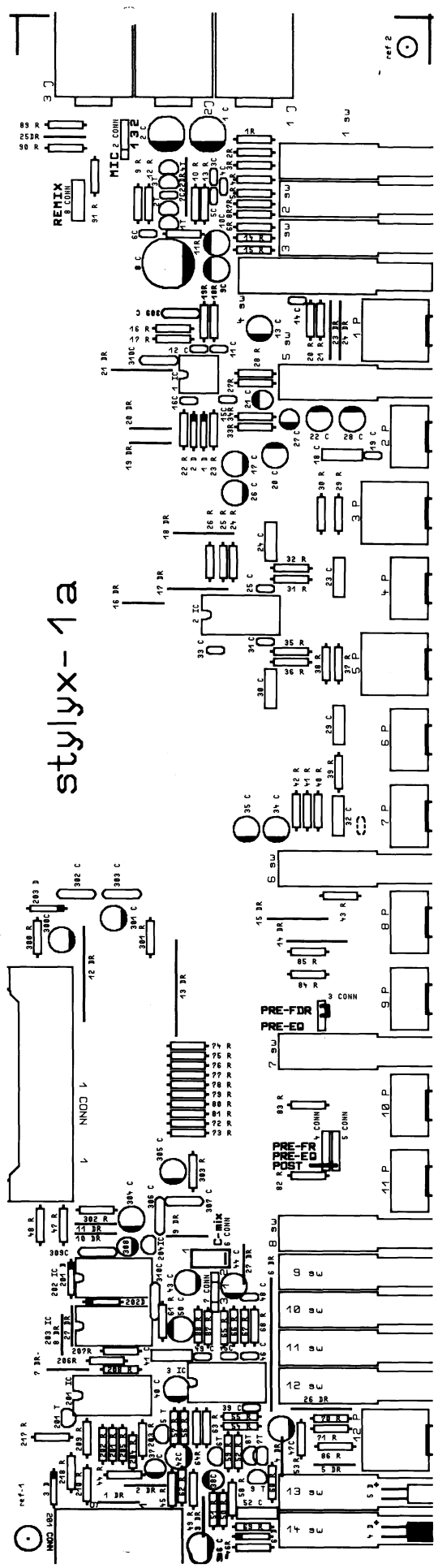
S1 3A2-5BM1
 S2 3A2-5BM1

R1=V47 15K R2=C 10K Tel: 029-40-15014 Fax: 029-40-15887 T1K: 16503 at PL Electronics by HOLLAND DESIGN R. B. Bismarck		THIS DRAWING REPLACES PREVIOUS ONES		STYLX-10 mono module	
		REV B	Size Document Number B	Date: November 18, 1988 13:55	REV P





stylyx-1a



stylyx-1a

DAR
 Electronics by Holland

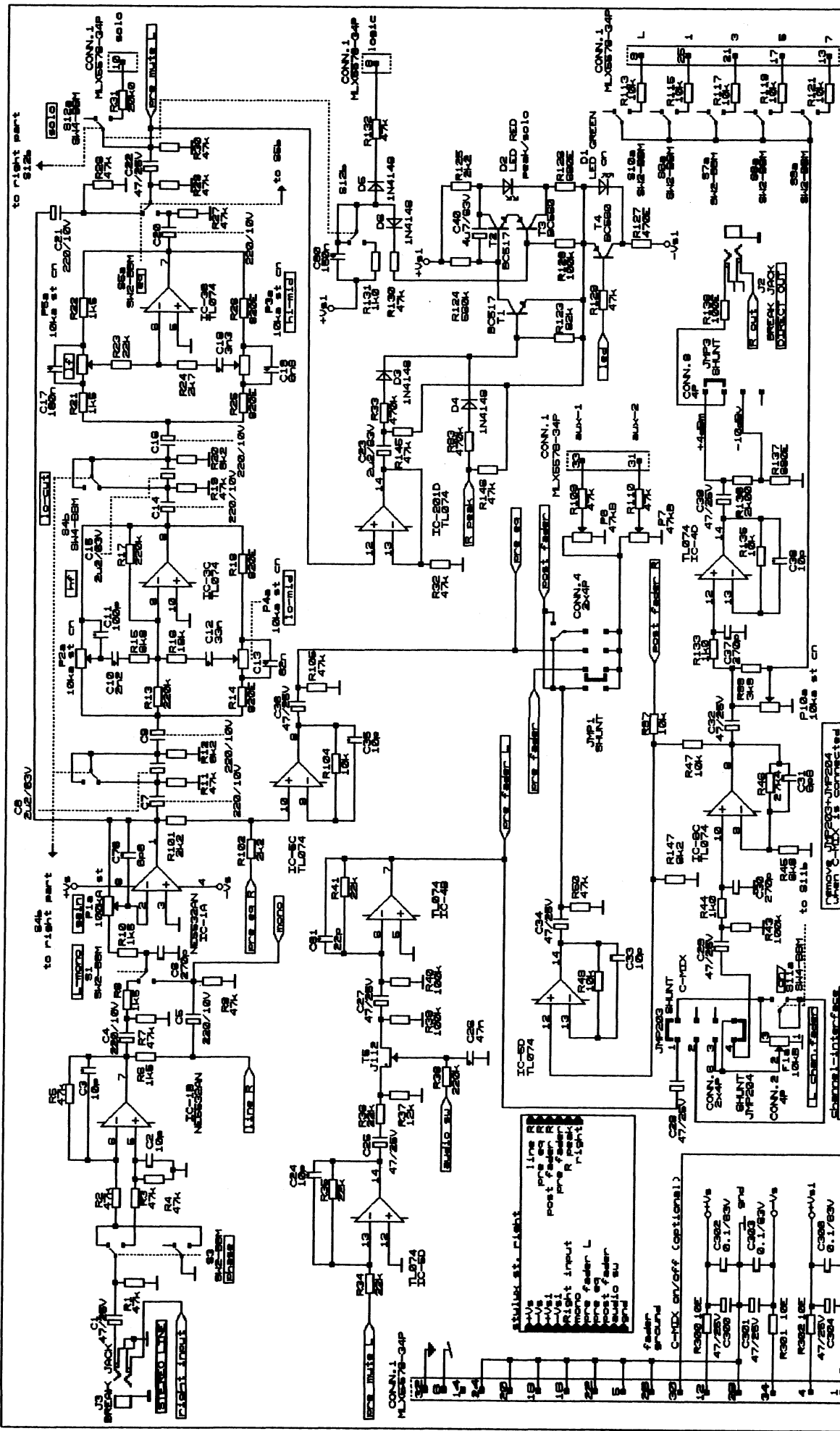
TELEX 10503 dr nl
 TELEPHONE 02940-18014
 RIJNSKADE 15b
 1382GS WEESP

TITLE :
 THIS DRAWING REPLACES PREVIOUS ONES

INDEX	
MOD. BY.	
DATE	
CHECK 1	
CHECK 2	
DRAWN	

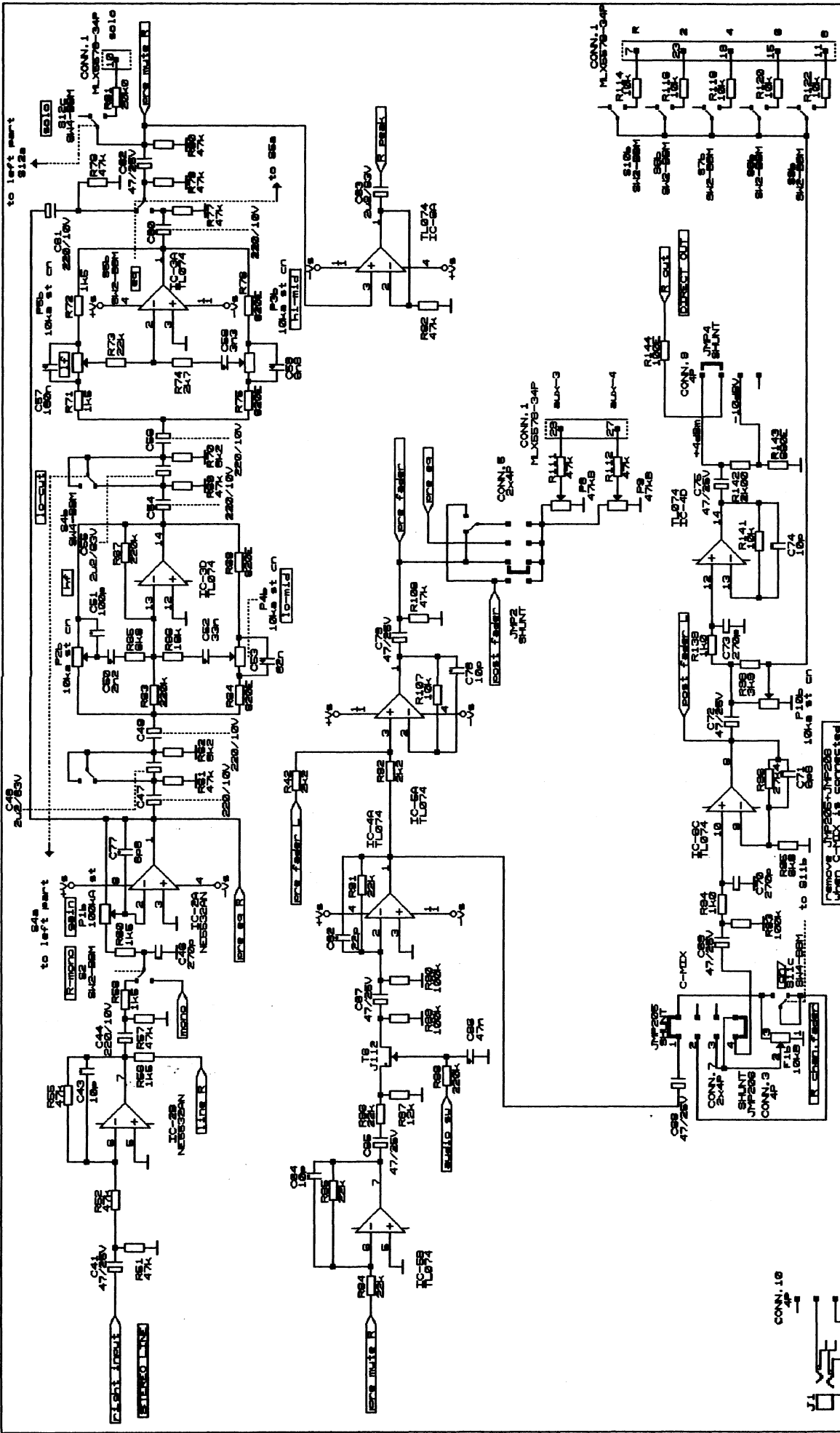
NOTES

SHEET OF

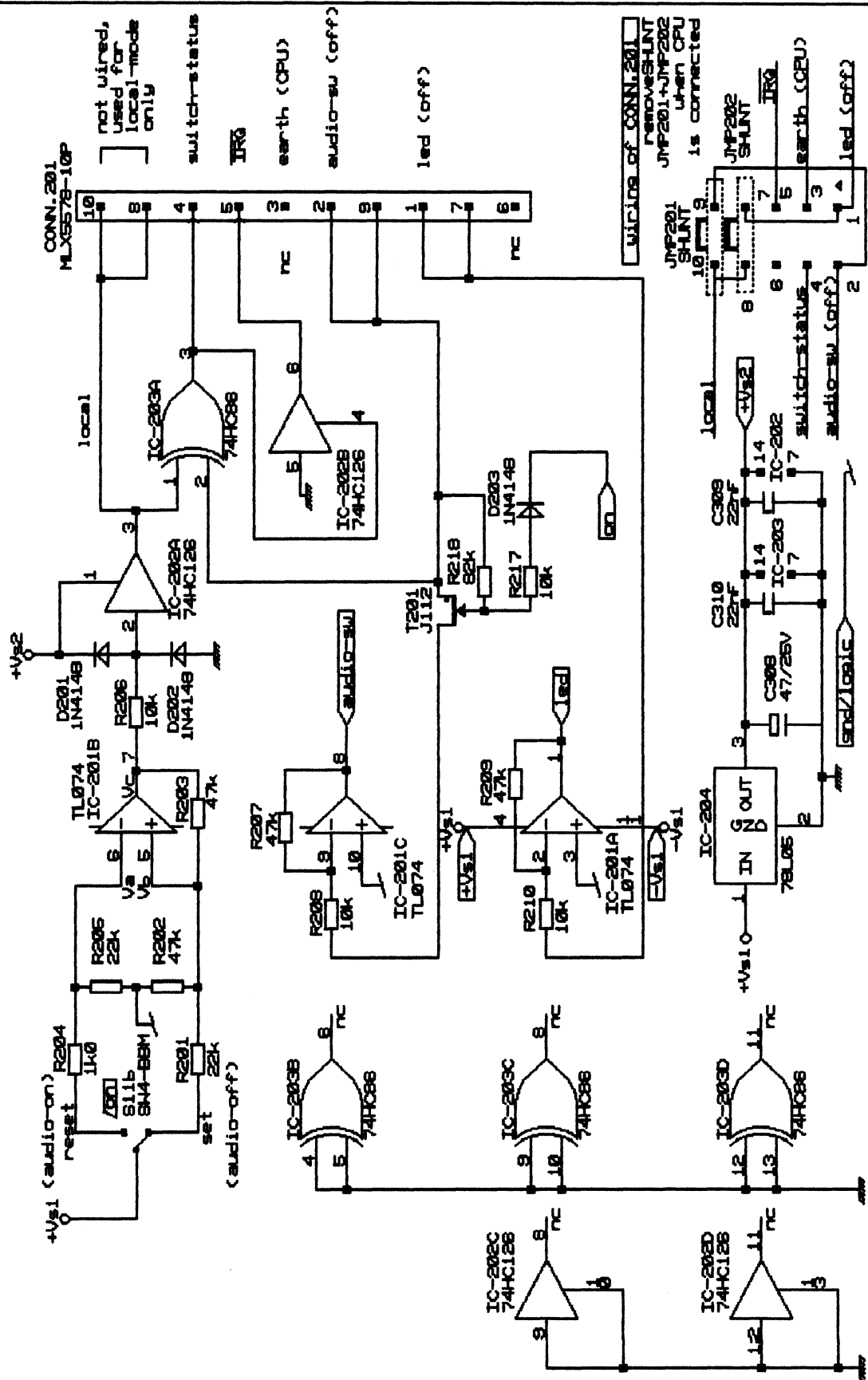


CONN.1	MLX578-34P	1	10k
CONN.1	MLX578-34P	2	10k
CONN.1	MLX578-34P	3	10k
CONN.1	MLX578-34P	4	10k
CONN.1	MLX578-34P	5	10k
CONN.1	MLX578-34P	6	10k
CONN.1	MLX578-34P	7	10k
CONN.1	MLX578-34P	8	10k
CONN.1	MLX578-34P	9	10k
CONN.1	MLX578-34P	10	10k
CONN.1	MLX578-34P	11	10k
CONN.1	MLX578-34P	12	10k
CONN.1	MLX578-34P	13	10k
CONN.1	MLX578-34P	14	10k
CONN.1	MLX578-34P	15	10k
CONN.1	MLX578-34P	16	10k
CONN.1	MLX578-34P	17	10k
CONN.1	MLX578-34P	18	10k
CONN.1	MLX578-34P	19	10k
CONN.1	MLX578-34P	20	10k
CONN.1	MLX578-34P	21	10k
CONN.1	MLX578-34P	22	10k
CONN.1	MLX578-34P	23	10k
CONN.1	MLX578-34P	24	10k
CONN.1	MLX578-34P	25	10k
CONN.1	MLX578-34P	26	10k
CONN.1	MLX578-34P	27	10k
CONN.1	MLX578-34P	28	10k
CONN.1	MLX578-34P	29	10k
CONN.1	MLX578-34P	30	10k
CONN.1	MLX578-34P	31	10k
CONN.1	MLX578-34P	32	10k
CONN.1	MLX578-34P	33	10k
CONN.1	MLX578-34P	34	10k
CONN.1	MLX578-34P	35	10k
CONN.1	MLX578-34P	36	10k
CONN.1	MLX578-34P	37	10k
CONN.1	MLX578-34P	38	10k
CONN.1	MLX578-34P	39	10k
CONN.1	MLX578-34P	40	10k
CONN.1	MLX578-34P	41	10k
CONN.1	MLX578-34P	42	10k
CONN.1	MLX578-34P	43	10k
CONN.1	MLX578-34P	44	10k
CONN.1	MLX578-34P	45	10k
CONN.1	MLX578-34P	46	10k
CONN.1	MLX578-34P	47	10k
CONN.1	MLX578-34P	48	10k
CONN.1	MLX578-34P	49	10k
CONN.1	MLX578-34P	50	10k
CONN.1	MLX578-34P	51	10k
CONN.1	MLX578-34P	52	10k
CONN.1	MLX578-34P	53	10k
CONN.1	MLX578-34P	54	10k
CONN.1	MLX578-34P	55	10k
CONN.1	MLX578-34P	56	10k
CONN.1	MLX578-34P	57	10k
CONN.1	MLX578-34P	58	10k
CONN.1	MLX578-34P	59	10k
CONN.1	MLX578-34P	60	10k
CONN.1	MLX578-34P	61	10k
CONN.1	MLX578-34P	62	10k
CONN.1	MLX578-34P	63	10k
CONN.1	MLX578-34P	64	10k
CONN.1	MLX578-34P	65	10k
CONN.1	MLX578-34P	66	10k
CONN.1	MLX578-34P	67	10k
CONN.1	MLX578-34P	68	10k
CONN.1	MLX578-34P	69	10k
CONN.1	MLX578-34P	70	10k
CONN.1	MLX578-34P	71	10k
CONN.1	MLX578-34P	72	10k
CONN.1	MLX578-34P	73	10k
CONN.1	MLX578-34P	74	10k
CONN.1	MLX578-34P	75	10k
CONN.1	MLX578-34P	76	10k
CONN.1	MLX578-34P	77	10k
CONN.1	MLX578-34P	78	10k
CONN.1	MLX578-34P	79	10k
CONN.1	MLX578-34P	80	10k
CONN.1	MLX578-34P	81	10k
CONN.1	MLX578-34P	82	10k
CONN.1	MLX578-34P	83	10k
CONN.1	MLX578-34P	84	10k
CONN.1	MLX578-34P	85	10k
CONN.1	MLX578-34P	86	10k
CONN.1	MLX578-34P	87	10k
CONN.1	MLX578-34P	88	10k
CONN.1	MLX578-34P	89	10k
CONN.1	MLX578-34P	90	10k
CONN.1	MLX578-34P	91	10k
CONN.1	MLX578-34P	92	10k
CONN.1	MLX578-34P	93	10k
CONN.1	MLX578-34P	94	10k
CONN.1	MLX578-34P	95	10k
CONN.1	MLX578-34P	96	10k
CONN.1	MLX578-34P	97	10k
CONN.1	MLX578-34P	98	10k
CONN.1	MLX578-34P	99	10k
CONN.1	MLX578-34P	100	10k

THIS DRAWING REPLACES PREVIOUS ONES
 DRAWN BY: J. VAN DER WOUDE
 CHECKED BY: J. VAN DER WOUDE
 DATE: 1988-08-14
 ELEC. DESK: P. M. H. L. H. A. S. S. I. E. R.
 DATE: JUN 21, 1988 10:51
 1 OF 3



REMOVE JUMPERS J1P206 AND J1P207 WHEN C-BOX IS INSTALLED
 THIS DRAWING REPLACES PREVIOUS ONES
 DRAWN BY: P. MULLICK
 CHECKED BY: P. MULLICK
 DATE: JUN 21, 1988
 SIZE: 11.5" X 17.5"
 SHEET: 2 OF 3
 PROJECT: STYLX-2 stereo channel
 DRAWN: JUN 21, 1988
 P. MULLICK
 HOLLAND ELECTRONICS BV



CONN.201
MLX5578-10P

10 8 4 5 3 2 9 1 7 6

local
switch-status
IRG
earth (CPU)
audio-sw (off)
led (off)

WIPING OF CONN.201
REMOVES SHUNT
JMP201+JMP202
SHUNT
WHEN CPU
IS CONNECTED

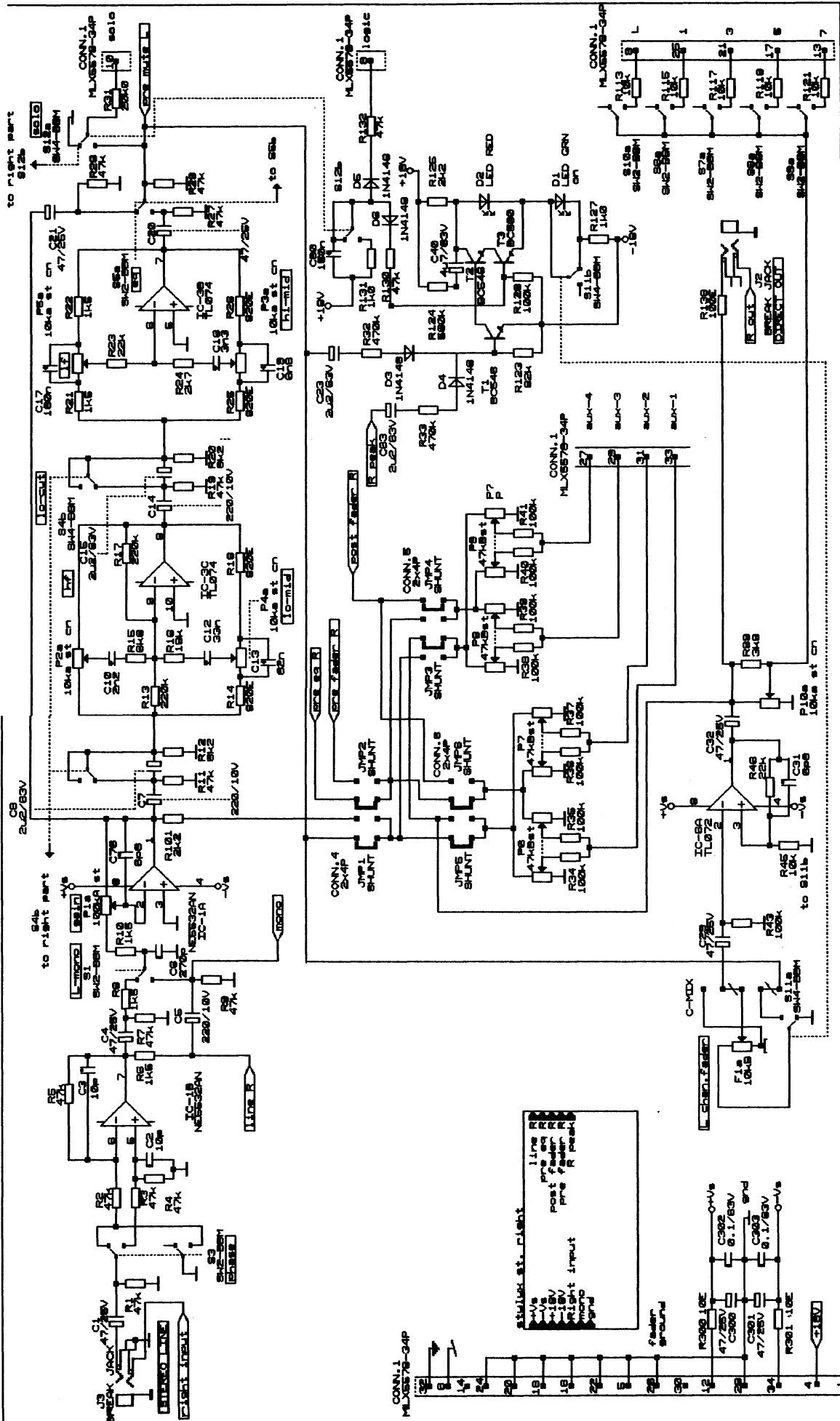
JMP201 SHUNT
JMP202 SHUNT

10 9 8 7 6 5 4 3 2 1

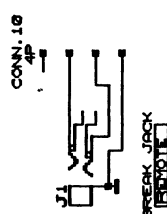
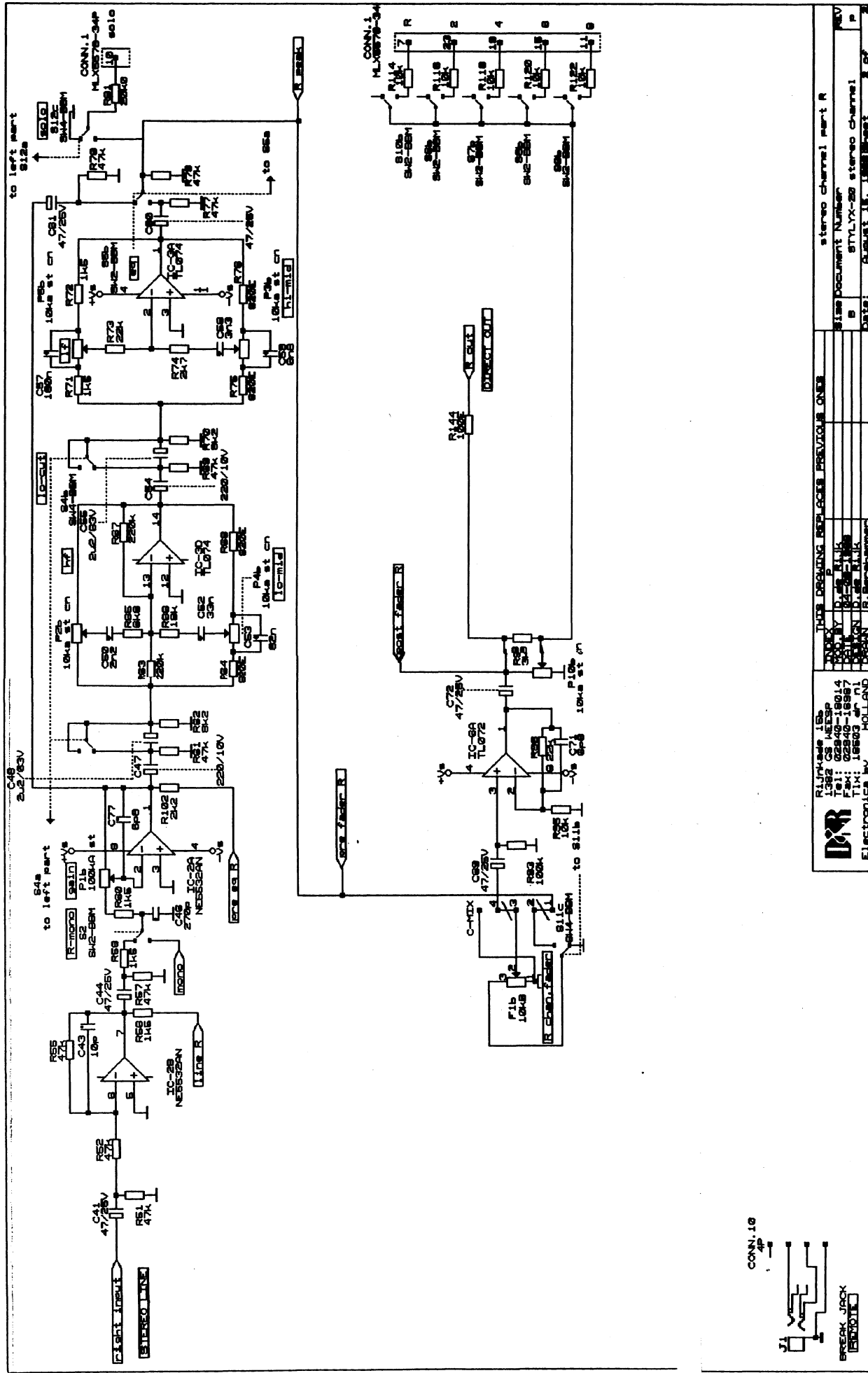
local
+Vs2
switch-status
audio-sw (off)
led (off)

THIS DRAWING REPLACES PREVIOUS ONES		STYLUX-2 stereo channel	
INDEX	P	Size	Document Number
100	BY J. de Vries	17-05-1988	A
DATE	28-10-87	DESIGN	J. de Vries
DRAWN	J. de Vries	P. Nijckx	Date: June 21, 1988
Sheet 3 of 4		REV	

RIJNKADE 15b
1382 GS WEESP
Tel: 02946-18014
Fax: 02946-18987
Tlx: 18503 dr nl
Electronics by HOLLAND



DR Electronics bv HOLLAND		THIS DRAWING REPLACES PREVIOUS ONE DRAWN BY: R. B. BALK DATE: 02-24-1987 CHECKED BY: R. B. BALK DATE: 02-24-1987 DESIGN: R. B. BALK	stereo channel part L Size Document Number: 8 STYLX-20 stereo channel Date: AUGUST 18, 1988 Page 1 of 3
--	--	--	---

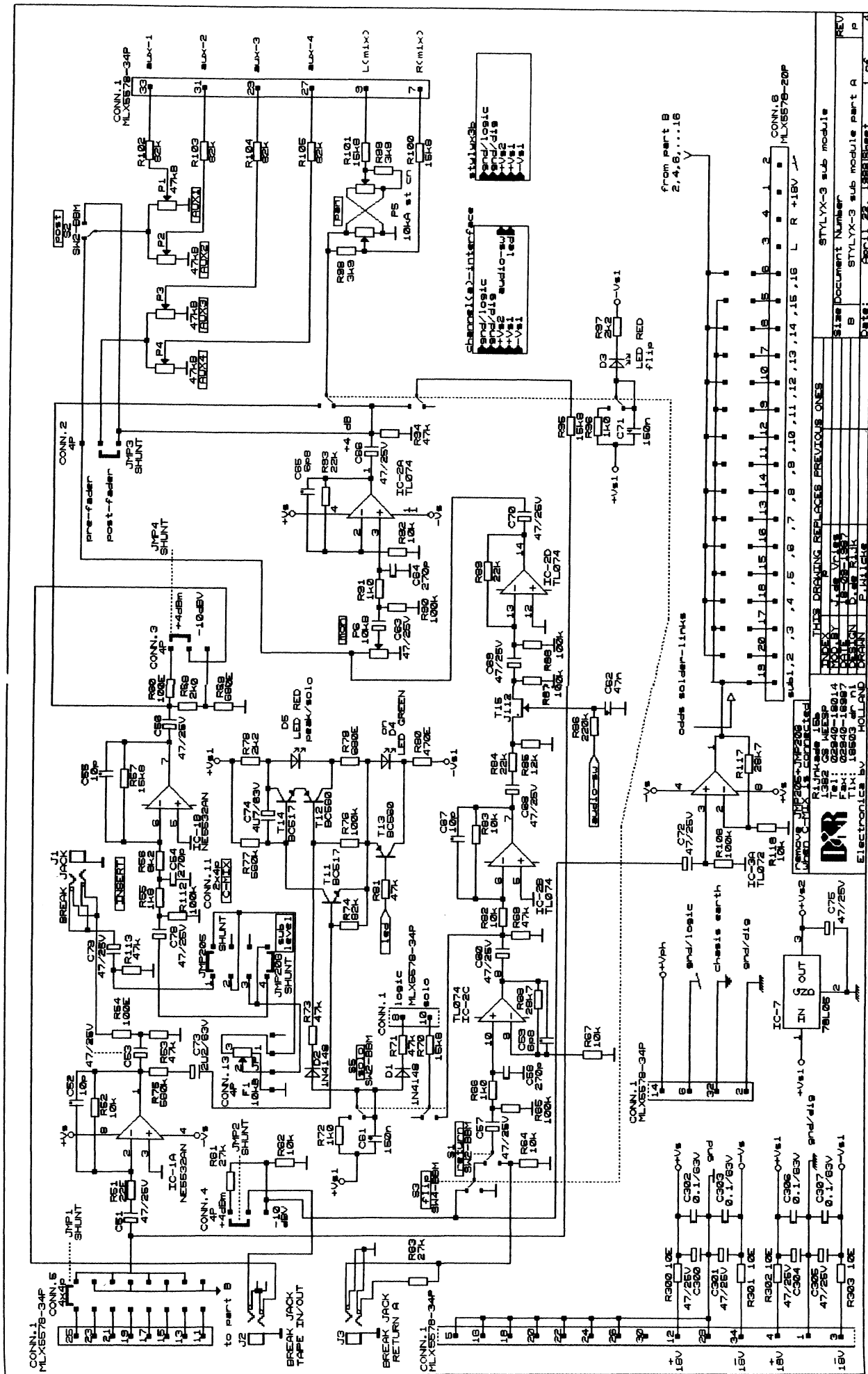


THIS DRAWING REPLACES PREVIOUS ONES

DATE: 02-28-1987
 DRAWN BY: D. J. BINK
 CHECKED BY: J. J. BINK
 APPROVED BY: J. J. BINK
 TITLE: STYLIX-28 stereo channel

RAYMOND LEE
 1500 S. W. 10th St.
 Ft. Lauderdale, FL 33304
 TEL: 305-555-1500
 FAX: 305-555-1500
 TIM: 305-555-1500
 HOLLAND ELECTRONICS

stereo channel part R
 size document Number
 B STYLIX-28 stereo channel
 DATE: AUGUST 18, 1988 10:30:31

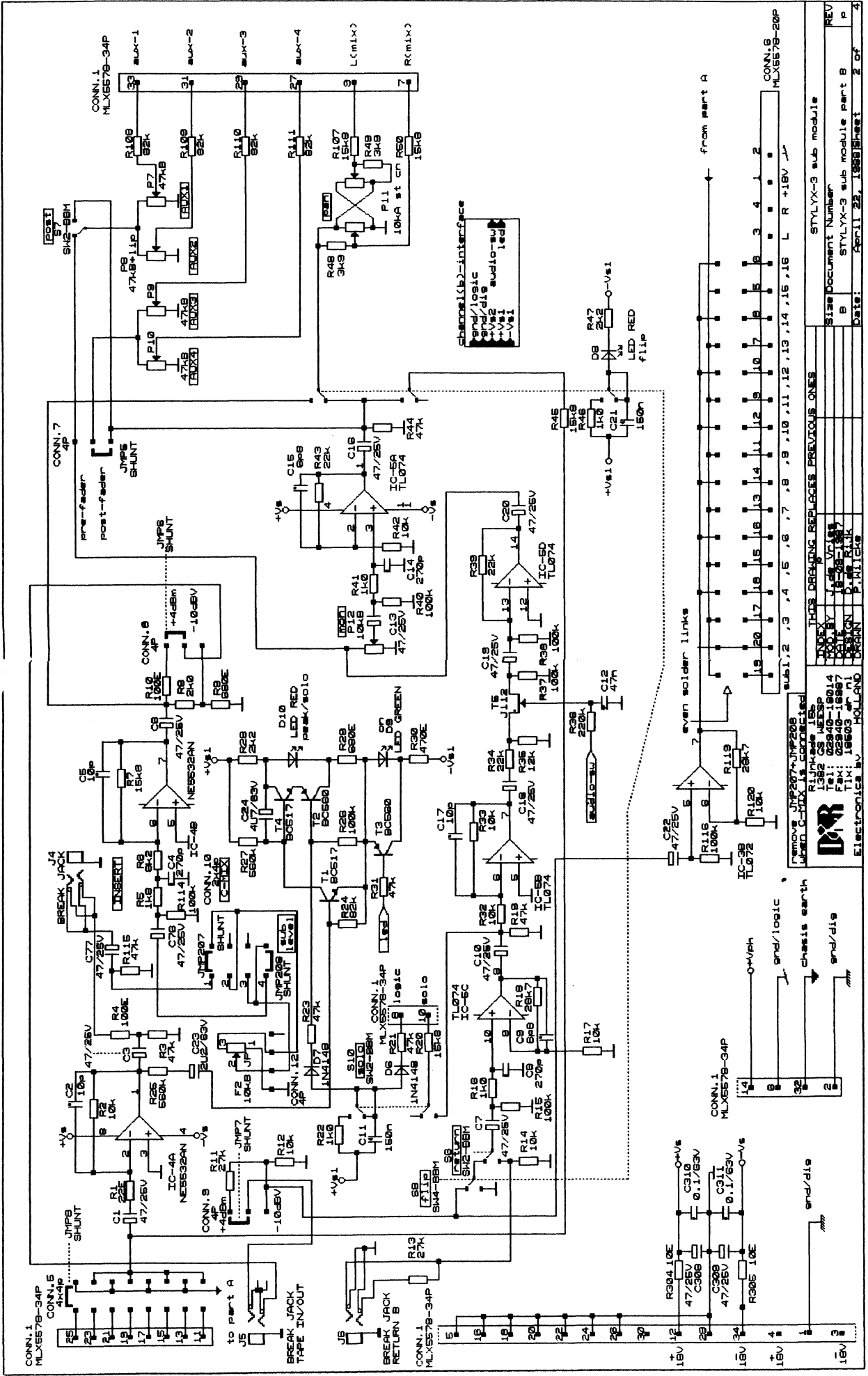


RAJNHADE LAB
1382 GS NEESP
Tel: 02840-18014
Fax: 02840-18987
TIN: 02840-18987
Electronics B.V. HOLLAND
P. H. H. H. H.

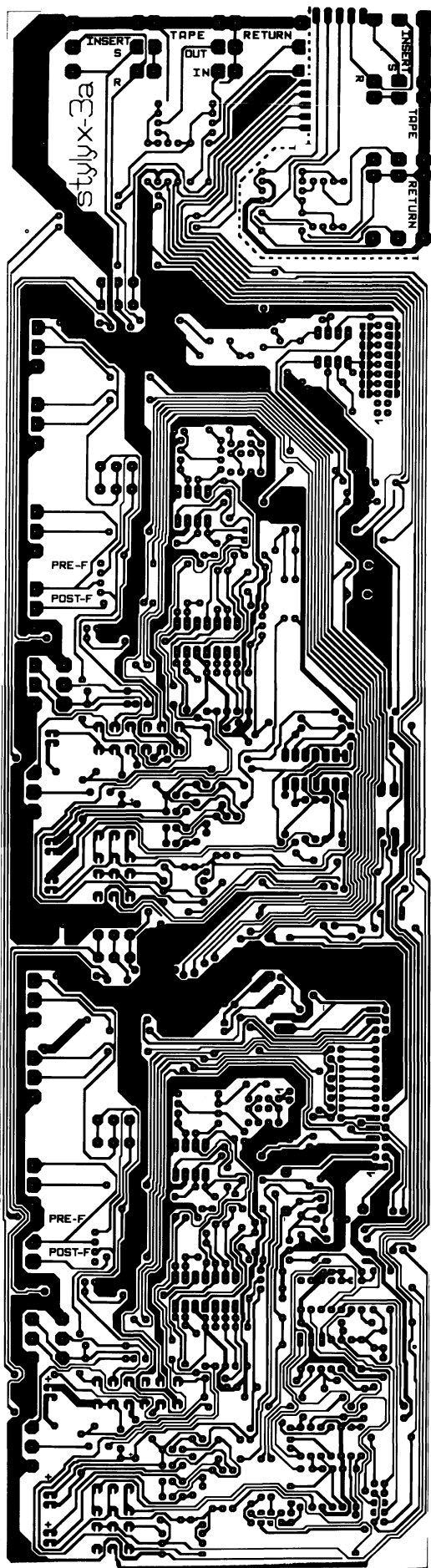
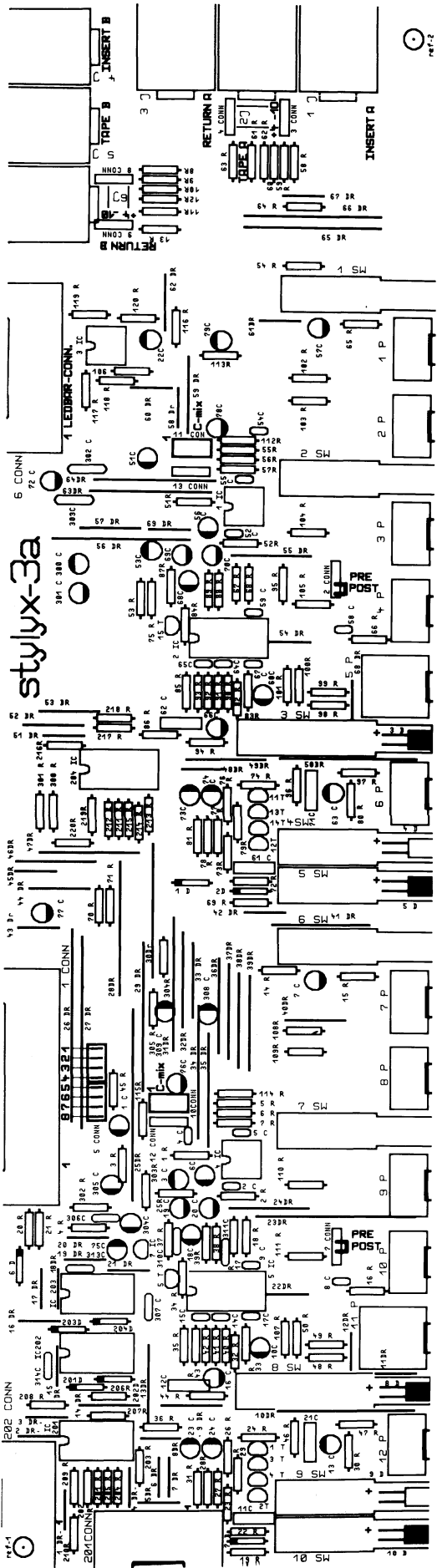
INDEX THIS DRAWING REPLACES PREVIOUS ONES
REV BY DATE
1 1-85 V.L.S.
2 8-85 V.L.S.
3 8-85 V.L.S.
4 8-85 V.L.S.
5 8-85 V.L.S.
6 8-85 V.L.S.
7 8-85 V.L.S.
8 8-85 V.L.S.
9 8-85 V.L.S.
10 8-85 V.L.S.
11 8-85 V.L.S.
12 8-85 V.L.S.
13 8-85 V.L.S.
14 8-85 V.L.S.
15 8-85 V.L.S.
16 8-85 V.L.S.
17 8-85 V.L.S.
18 8-85 V.L.S.
19 8-85 V.L.S.
20 8-85 V.L.S.
21 8-85 V.L.S.
22 8-85 V.L.S.
23 8-85 V.L.S.
24 8-85 V.L.S.
25 8-85 V.L.S.
26 8-85 V.L.S.
27 8-85 V.L.S.
28 8-85 V.L.S.
29 8-85 V.L.S.
30 8-85 V.L.S.
31 8-85 V.L.S.
32 8-85 V.L.S.
33 8-85 V.L.S.
34 8-85 V.L.S.
35 8-85 V.L.S.
36 8-85 V.L.S.
37 8-85 V.L.S.
38 8-85 V.L.S.
39 8-85 V.L.S.
40 8-85 V.L.S.
41 8-85 V.L.S.
42 8-85 V.L.S.
43 8-85 V.L.S.
44 8-85 V.L.S.
45 8-85 V.L.S.
46 8-85 V.L.S.
47 8-85 V.L.S.
48 8-85 V.L.S.
49 8-85 V.L.S.
50 8-85 V.L.S.
51 8-85 V.L.S.
52 8-85 V.L.S.
53 8-85 V.L.S.
54 8-85 V.L.S.
55 8-85 V.L.S.
56 8-85 V.L.S.
57 8-85 V.L.S.
58 8-85 V.L.S.
59 8-85 V.L.S.
60 8-85 V.L.S.
61 8-85 V.L.S.
62 8-85 V.L.S.
63 8-85 V.L.S.
64 8-85 V.L.S.
65 8-85 V.L.S.
66 8-85 V.L.S.
67 8-85 V.L.S.
68 8-85 V.L.S.
69 8-85 V.L.S.
70 8-85 V.L.S.
71 8-85 V.L.S.
72 8-85 V.L.S.
73 8-85 V.L.S.
74 8-85 V.L.S.
75 8-85 V.L.S.
76 8-85 V.L.S.
77 8-85 V.L.S.
78 8-85 V.L.S.
79 8-85 V.L.S.
80 8-85 V.L.S.
81 8-85 V.L.S.
82 8-85 V.L.S.
83 8-85 V.L.S.
84 8-85 V.L.S.
85 8-85 V.L.S.
86 8-85 V.L.S.
87 8-85 V.L.S.
88 8-85 V.L.S.
89 8-85 V.L.S.
90 8-85 V.L.S.
91 8-85 V.L.S.
92 8-85 V.L.S.
93 8-85 V.L.S.
94 8-85 V.L.S.
95 8-85 V.L.S.
96 8-85 V.L.S.
97 8-85 V.L.S.
98 8-85 V.L.S.
99 8-85 V.L.S.
100 8-85 V.L.S.

STYLX-3 sub module
Size Document Number
B STYLX-3 sub module part A
REV P

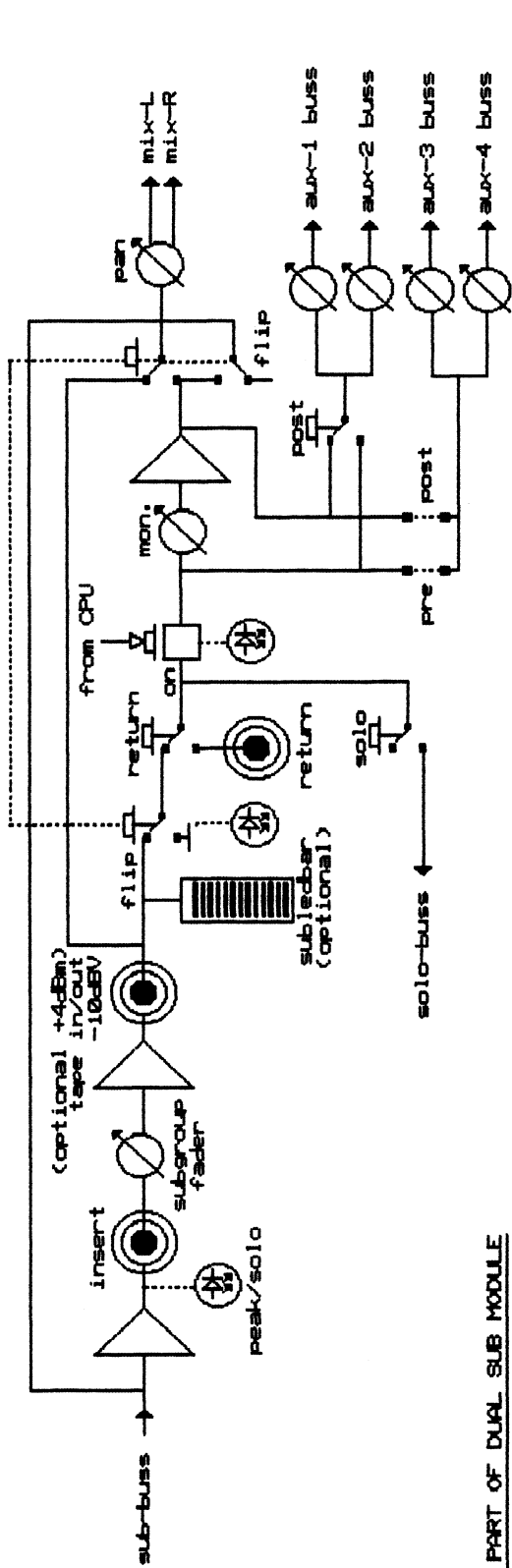
Date: April 22, 1989 18:00:00 I of 4



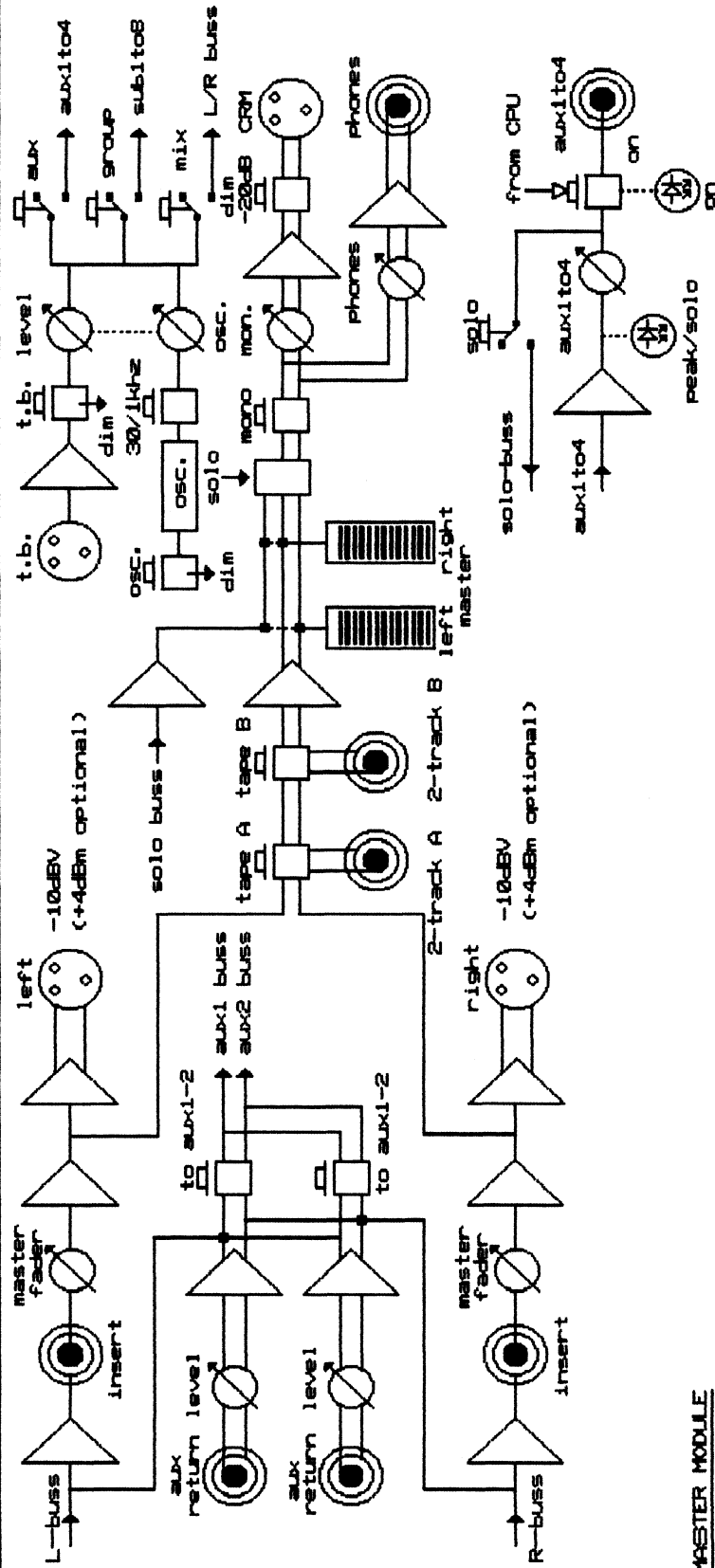
CONN.1 MLX5578-34P	CONN.5 4x4p	CONN.6 4P	CONN.7 4P	CONN.8 4P	CONN.9 4P	CONN.10 4P	CONN.11 4P	CONN.12 4P	CONN.13 4P	CONN.14 4P	CONN.15 4x4p	CONN.16 4P	CONN.17 4P	CONN.18 4P	CONN.19 4P	CONN.20 4P	CONN.21 4P	CONN.22 4P	CONN.23 4P	CONN.24 4P	CONN.25 4P	CONN.26 4P	CONN.27 4P	CONN.28 4P	CONN.29 4P	CONN.30 4P	CONN.31 4P	CONN.32 4P	CONN.33 4P	CONN.34 4P	CONN.35 4P	CONN.36 4P	CONN.37 4P	CONN.38 4P	CONN.39 4P	CONN.40 4P	CONN.41 4P	CONN.42 4P	CONN.43 4P	CONN.44 4P	CONN.45 4P	CONN.46 4P	CONN.47 4P	CONN.48 4P	CONN.49 4P	CONN.50 4P	CONN.51 4P	CONN.52 4P	CONN.53 4P	CONN.54 4P	CONN.55 4P	CONN.56 4P	CONN.57 4P	CONN.58 4P	CONN.59 4P	CONN.60 4P	CONN.61 4P	CONN.62 4P	CONN.63 4P	CONN.64 4P	CONN.65 4P	CONN.66 4P	CONN.67 4P	CONN.68 4P	CONN.69 4P	CONN.70 4P	CONN.71 4P	CONN.72 4P	CONN.73 4P	CONN.74 4P	CONN.75 4P	CONN.76 4P	CONN.77 4P	CONN.78 4P	CONN.79 4P	CONN.80 4P	CONN.81 4P	CONN.82 4P	CONN.83 4P	CONN.84 4P	CONN.85 4P	CONN.86 4P	CONN.87 4P	CONN.88 4P	CONN.89 4P	CONN.90 4P	CONN.91 4P	CONN.92 4P	CONN.93 4P	CONN.94 4P	CONN.95 4P	CONN.96 4P	CONN.97 4P	CONN.98 4P	CONN.99 4P	CONN.100 4P			
<p>Remove J1P207+J1P208 R1P208 10k J1P208 10k J1P207 10k J1P206 10k J1P205 10k J1P204 10k J1P203 10k J1P202 10k J1P201 10k J1P200 10k J1P199 10k J1P198 10k J1P197 10k J1P196 10k J1P195 10k J1P194 10k J1P193 10k J1P192 10k J1P191 10k J1P190 10k J1P189 10k J1P188 10k J1P187 10k J1P186 10k J1P185 10k J1P184 10k J1P183 10k J1P182 10k J1P181 10k J1P180 10k J1P179 10k J1P178 10k J1P177 10k J1P176 10k J1P175 10k J1P174 10k J1P173 10k J1P172 10k J1P171 10k J1P170 10k J1P169 10k J1P168 10k J1P167 10k J1P166 10k J1P165 10k J1P164 10k J1P163 10k J1P162 10k J1P161 10k J1P160 10k J1P159 10k J1P158 10k J1P157 10k J1P156 10k J1P155 10k J1P154 10k J1P153 10k J1P152 10k J1P151 10k J1P150 10k J1P149 10k J1P148 10k J1P147 10k J1P146 10k J1P145 10k J1P144 10k J1P143 10k J1P142 10k J1P141 10k J1P140 10k J1P139 10k J1P138 10k J1P137 10k J1P136 10k J1P135 10k J1P134 10k J1P133 10k J1P132 10k J1P131 10k J1P130 10k J1P129 10k J1P128 10k J1P127 10k J1P126 10k J1P125 10k J1P124 10k J1P123 10k J1P122 10k J1P121 10k J1P120 10k J1P119 10k J1P118 10k J1P117 10k J1P116 10k J1P115 10k J1P114 10k J1P113 10k J1P112 10k J1P111 10k J1P110 10k J1P109 10k J1P108 10k J1P107 10k J1P106 10k J1P105 10k J1P104 10k J1P103 10k J1P102 10k J1P101 10k J1P100 10k J1P99 10k J1P98 10k J1P97 10k J1P96 10k J1P95 10k J1P94 10k J1P93 10k J1P92 10k J1P91 10k J1P90 10k J1P89 10k J1P88 10k J1P87 10k J1P86 10k J1P85 10k J1P84 10k J1P83 10k J1P82 10k J1P81 10k J1P80 10k J1P79 10k J1P78 10k J1P77 10k J1P76 10k J1P75 10k J1P74 10k J1P73 10k J1P72 10k J1P71 10k J1P70 10k J1P69 10k J1P68 10k J1P67 10k J1P66 10k J1P65 10k J1P64 10k J1P63 10k J1P62 10k J1P61 10k J1P60 10k J1P59 10k J1P58 10k J1P57 10k J1P56 10k J1P55 10k J1P54 10k J1P53 10k J1P52 10k J1P51 10k J1P50 10k J1P49 10k J1P48 10k J1P47 10k J1P46 10k J1P45 10k J1P44 10k J1P43 10k J1P42 10k J1P41 10k J1P40 10k J1P39 10k J1P38 10k J1P37 10k J1P36 10k J1P35 10k J1P34 10k J1P33 10k J1P32 10k J1P31 10k J1P30 10k J1P29 10k J1P28 10k J1P27 10k J1P26 10k J1P25 10k J1P24 10k J1P23 10k J1P22 10k J1P21 10k J1P20 10k J1P19 10k J1P18 10k J1P17 10k J1P16 10k J1P15 10k J1P14 10k J1P13 10k J1P12 10k J1P11 10k J1P10 10k J1P9 10k J1P8 10k J1P7 10k J1P6 10k J1P5 10k J1P4 10k J1P3 10k J1P2 10k J1P1 10k</p>																																																																																																			
<p>STYLX-3 sub module Size Document Number STYLX-3 sub module part B REV Date: April 22, 1988 Sheet 2 of 4</p>																																																																																																			



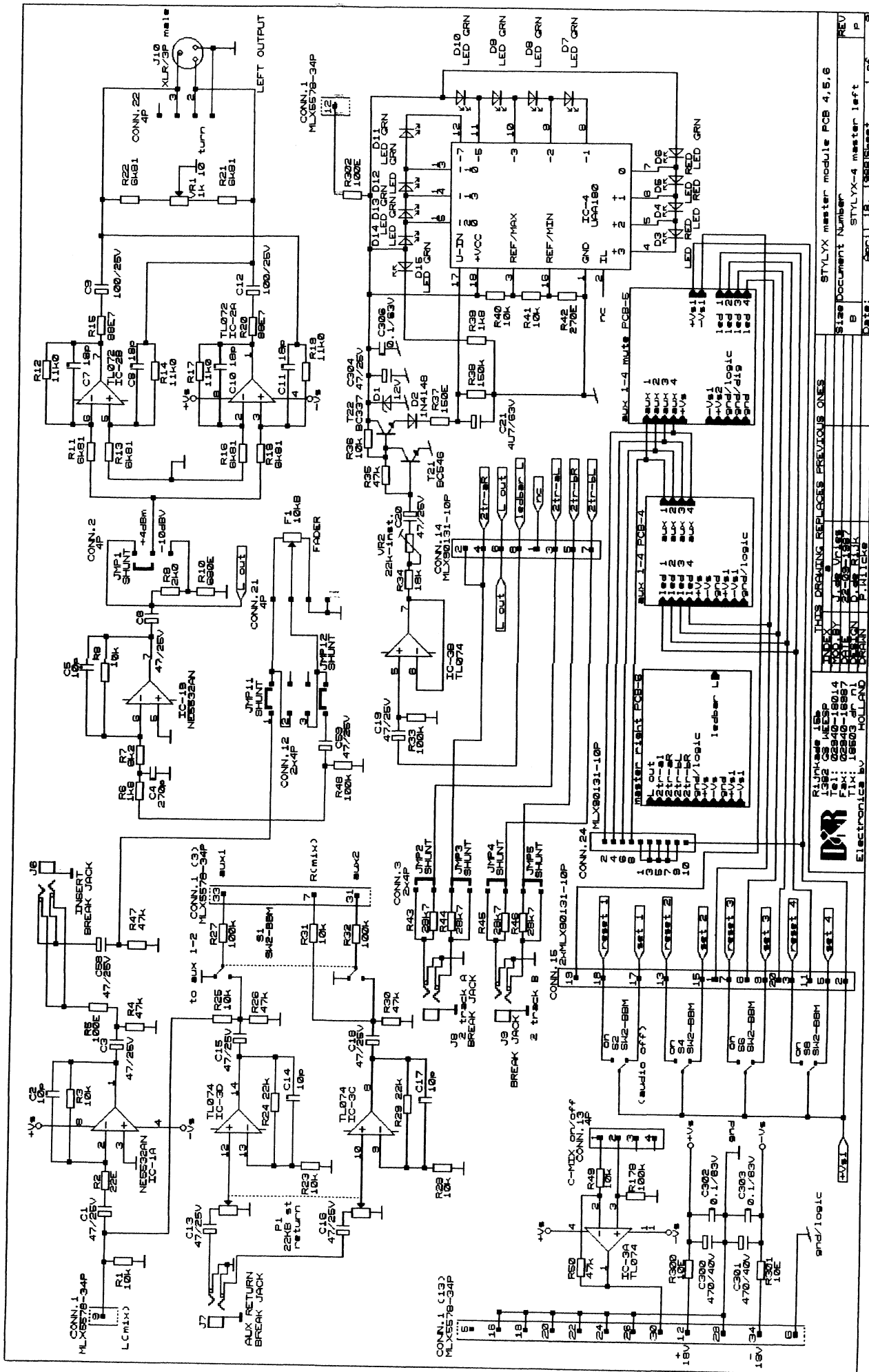
TELEPHONE		18503 dr.nl		TELEPHONE		02940-18014		RIJNKADE 15b		DESIGN		DATE		SHEET	
TELEX		1382GS WEESP		Electronic		by		Holland		TITLE		THIS DRAWING REPLACES PREVIOUS ONES		NOTES	
INDEX		MOD.BY.		DATE		CHECK 1		CHECK 2		DRAWN					



ONE PART OF DUAL SUB MODULE



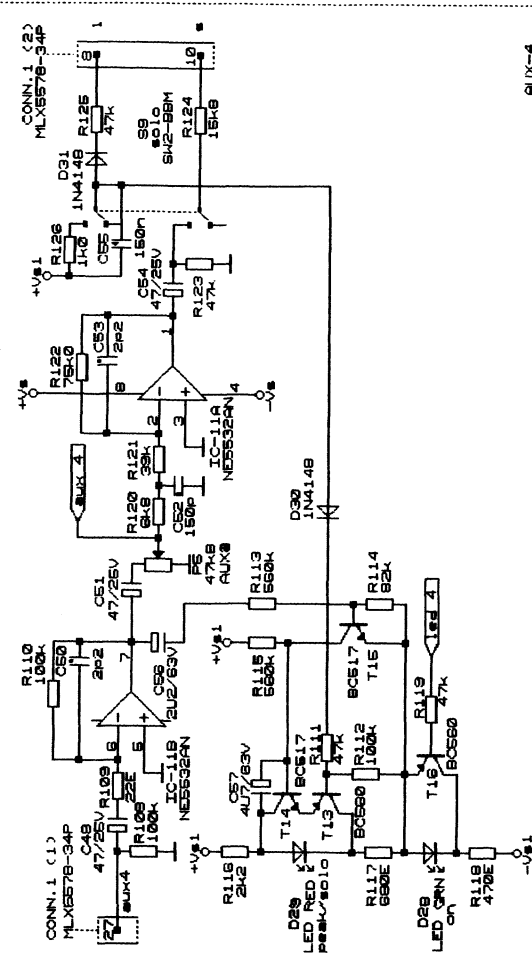
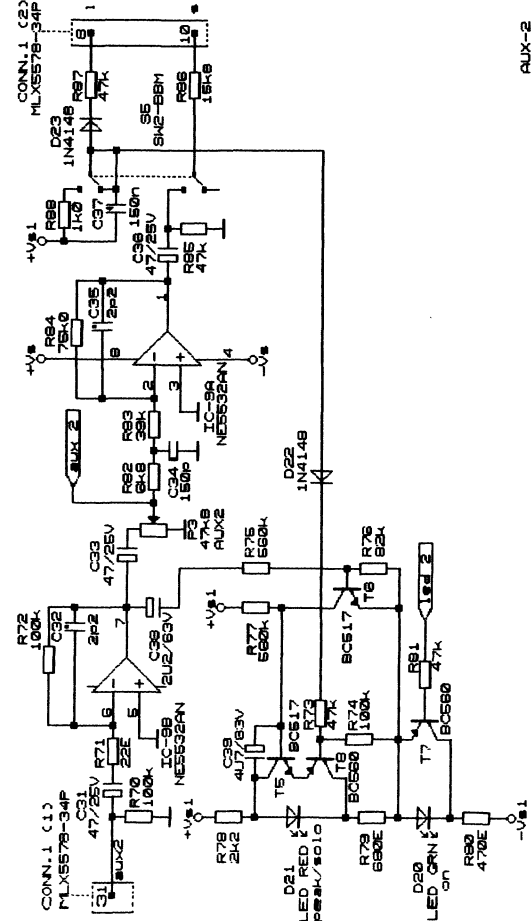
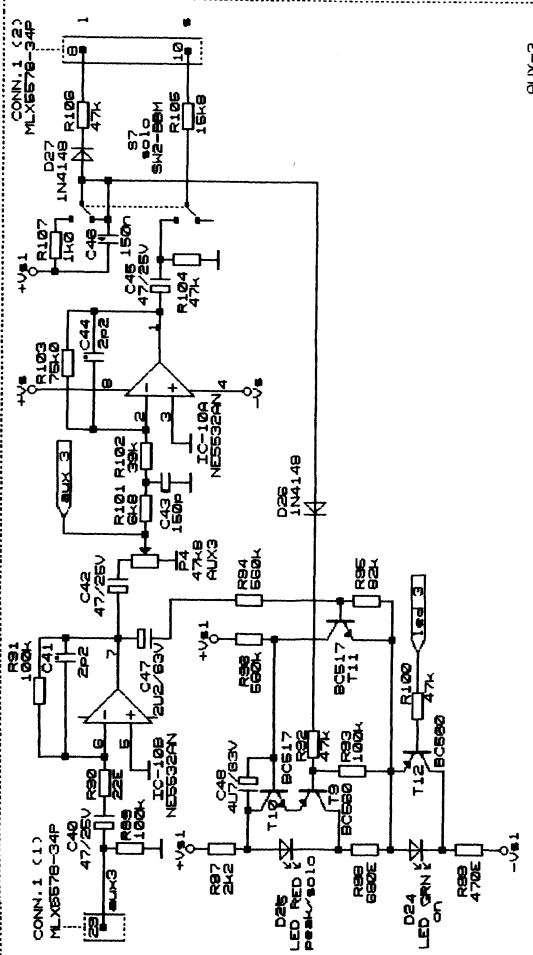
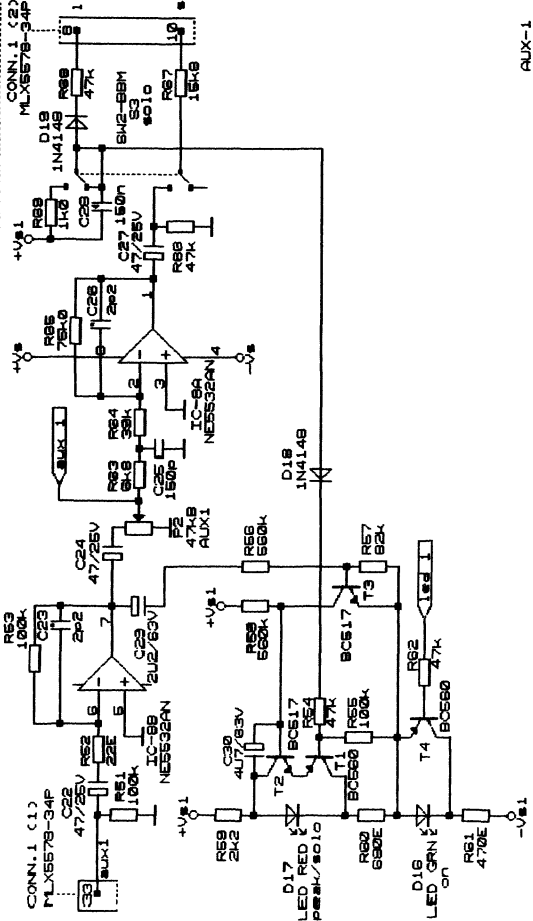
MASTER MODULE



STYLIX master module PCB 4,5,6
 Size Document Number
 STYLIX-4 master left
 REV
 Date: April 19, 1988 Sheet 1 of 3

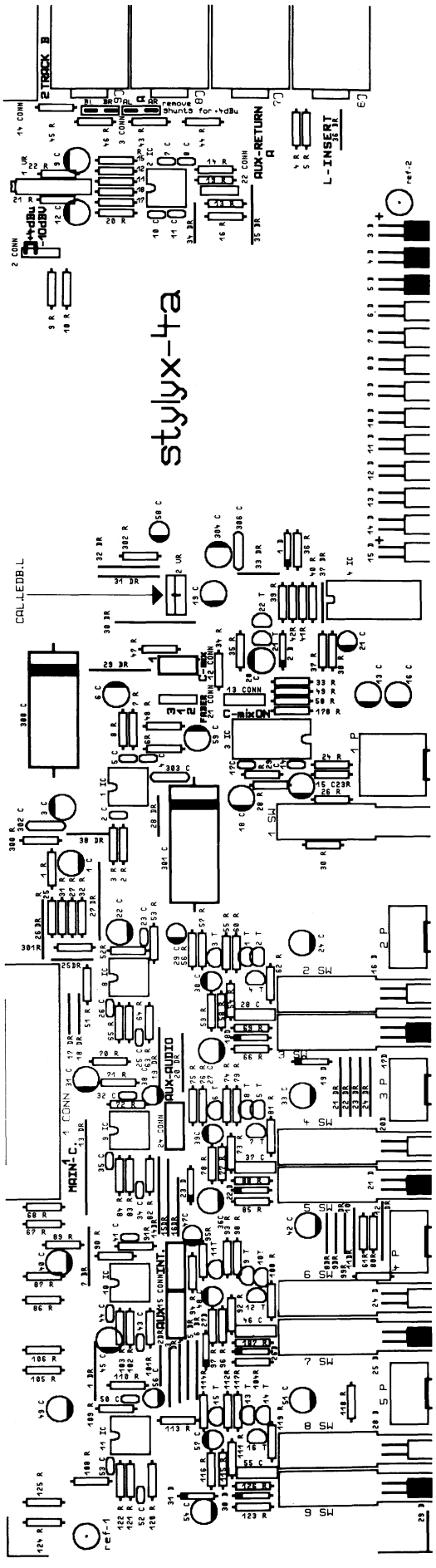
THIS DRAWING REPLACES PREVIOUS ONES
 DATE: 2/28/88
 BY: [Signature]
 CHECKED BY: [Signature]
 DRAWN BY: [Signature]
 P.I.N.I.C.K.E
 HOLLAND

Electronic by
 Tel: 02540-18014
 Fax: 02540-18887
 Tel: 18803 dr nl
 HOLLAND

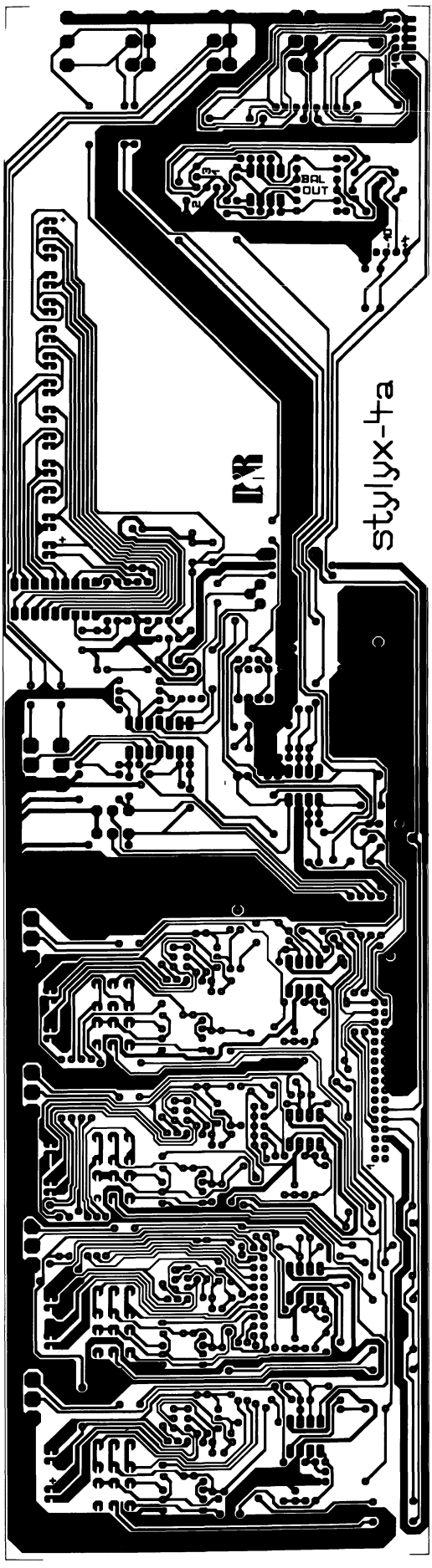


REV	P	7 of 8
Date:	March 29, 1969	Sheet
Design	P. HALL	
Drawn	D. B. BARK	
Checked		
Size	Document Number	STYLX-4 aux 1 to 4
Title		
THIS DRAWING REPLACES PREVIOUS ONES		
STYLX master module PCB 4,5,6		

R1, INK 45 150
 R132 CS NCS3P
 Tel: 02940-18014
 Fax: 02940-18987
 Tlx: 15503 dr nl
 DR Electronics BV, HOLLAND



stylix-4a



stylix-4a

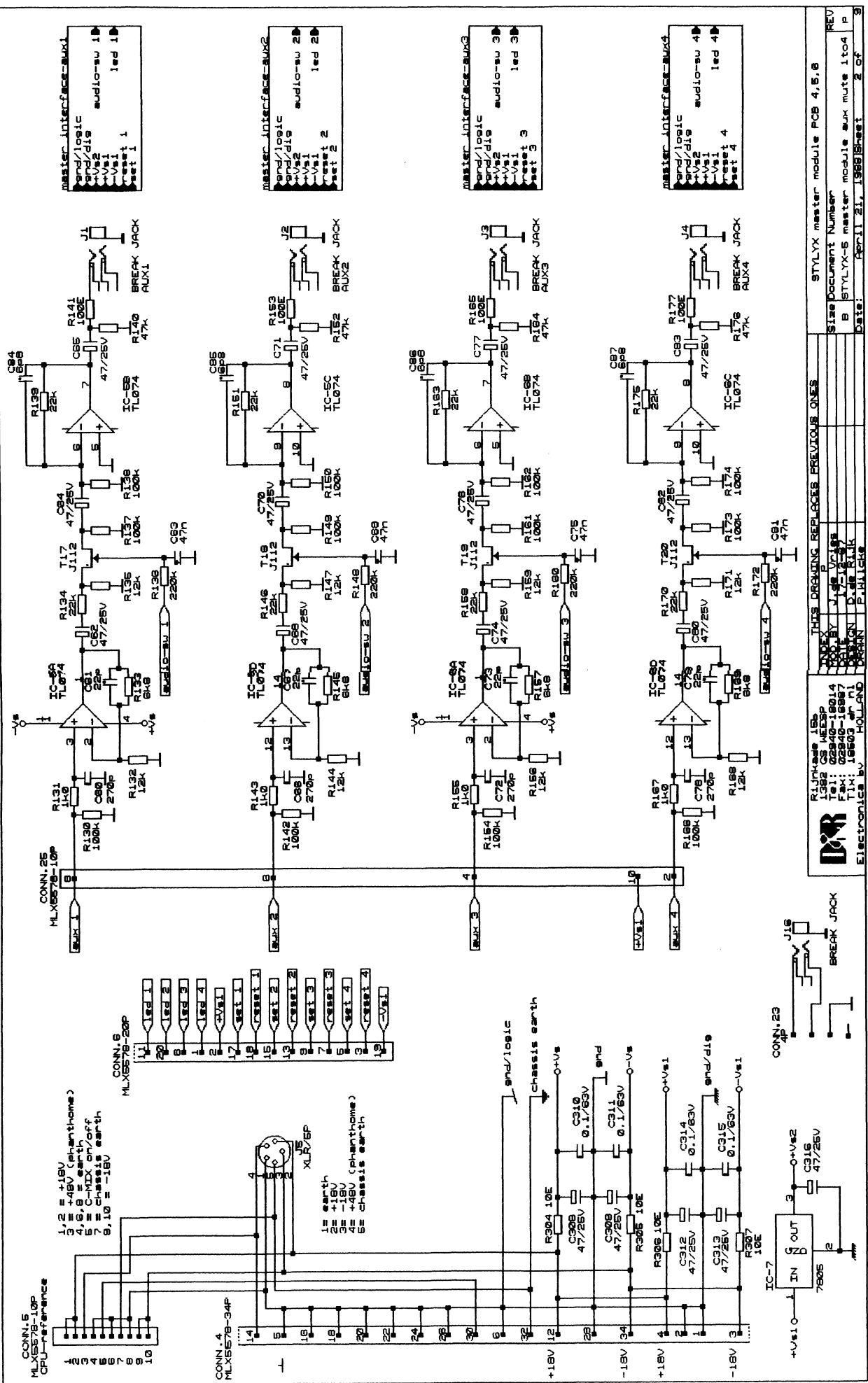
DAR
 Electronica by Holland

TELEX 18503 dr nl
 TELEPHONE 02940-18014
 Rijksweg 15b
 1382GS WEESP

TITLE :
 PCB REF. nr
 DESIGN DATE
 SHEET OF

THIS DRAWING REPLACES PREVIOUS ONES
 INDEX
 MOD. BY.
 DATE
 CHECK 1
 CHECK 2
 DRAWN

NOTES



master interface-aux1
 snd/dls
 audio-sw 1
 led 1
 test 1

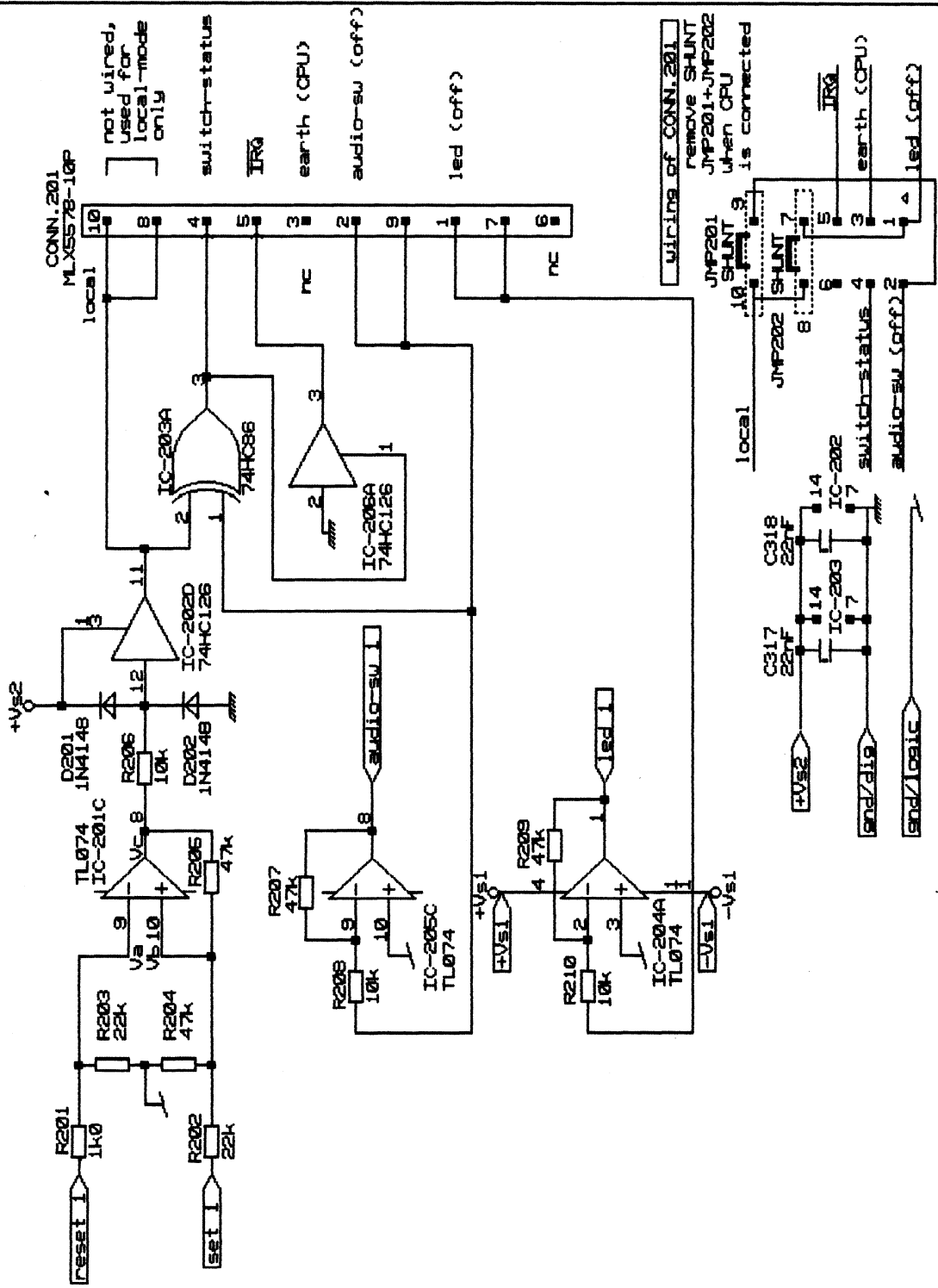
master interface-aux2
 snd/dls
 audio-sw 2
 led 2
 test 2

master interface-aux3
 snd/dls
 audio-sw 3
 led 3
 test 3

master interface-aux4
 snd/dls
 audio-sw 4
 led 4
 test 4

Package 155
 Part No. 155
 Tel: 02940-18014
 Fax: 02940-18887
 Email: sales@nl-
 Electronics B.V. HOLLAND
 P.O. BOX 17211
 1100 AB AMSTERDAM
 THE NETHERLANDS

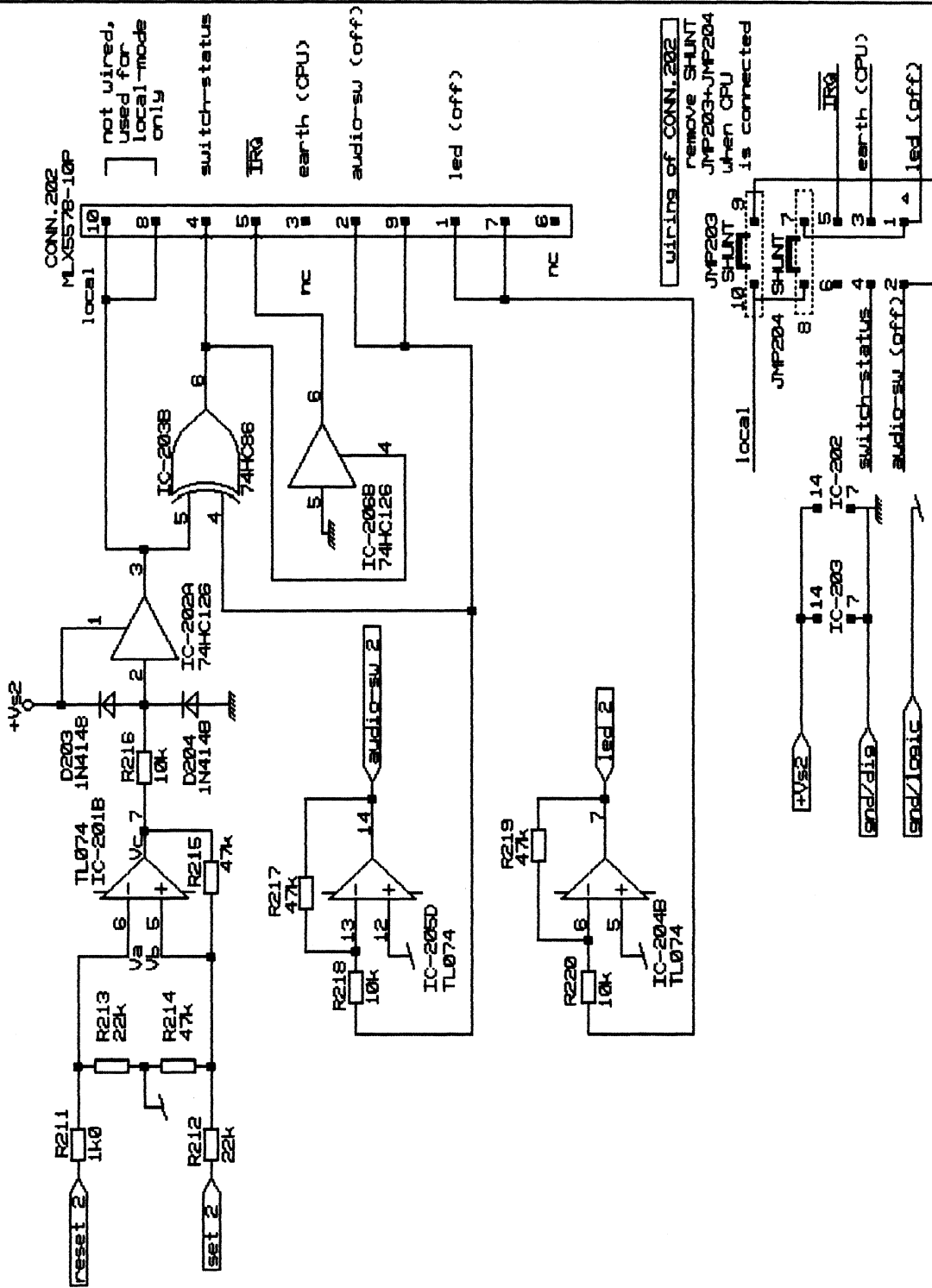
STYLIX master module PCB 4,5,6
 Size Document Number
 B STYLIX-S master module aux mute lta4 p
 Date: April 21, 1988 Sheet 2 of 3



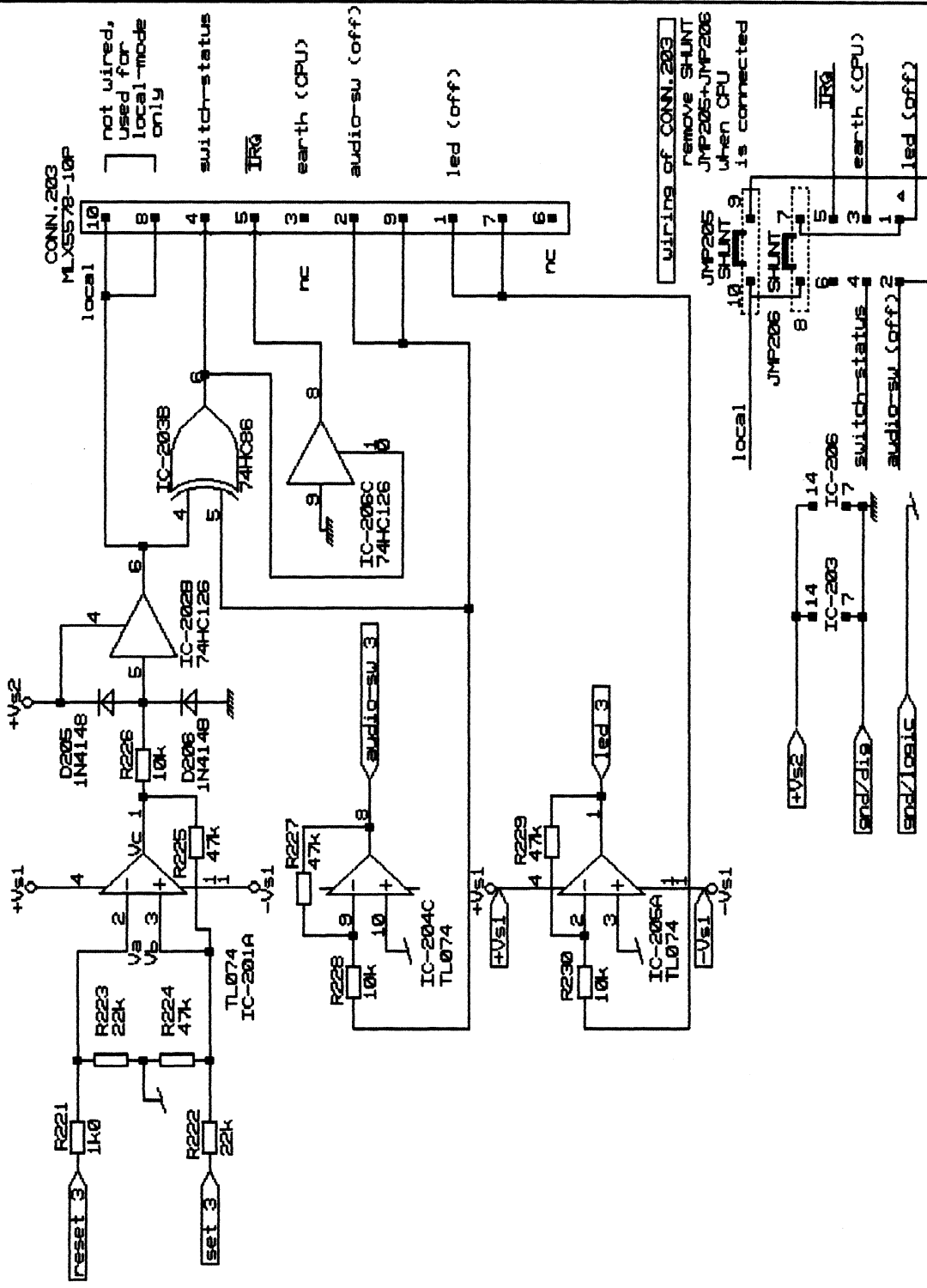
R1,Inkcode 15b 1382 GS WEESP Tel: 02940-18014 Fax: 02940-18987 Tlx: 18503 dr nl		THIS DRAWING REPLACES PREVIOUS ONES		STYLYX master module PCB 4,5,6	
INDEX	P	MOD. BY		Size Document Number	REV
DATE	29-10-87	DESIGN	J. de Vries	A	STYLYX-5 master interface aux 1
DRAWN	J. de Vries	HOLLAND		Date: March 9, 2008	Sheet 3 of 9



Electronic by HOLLAND

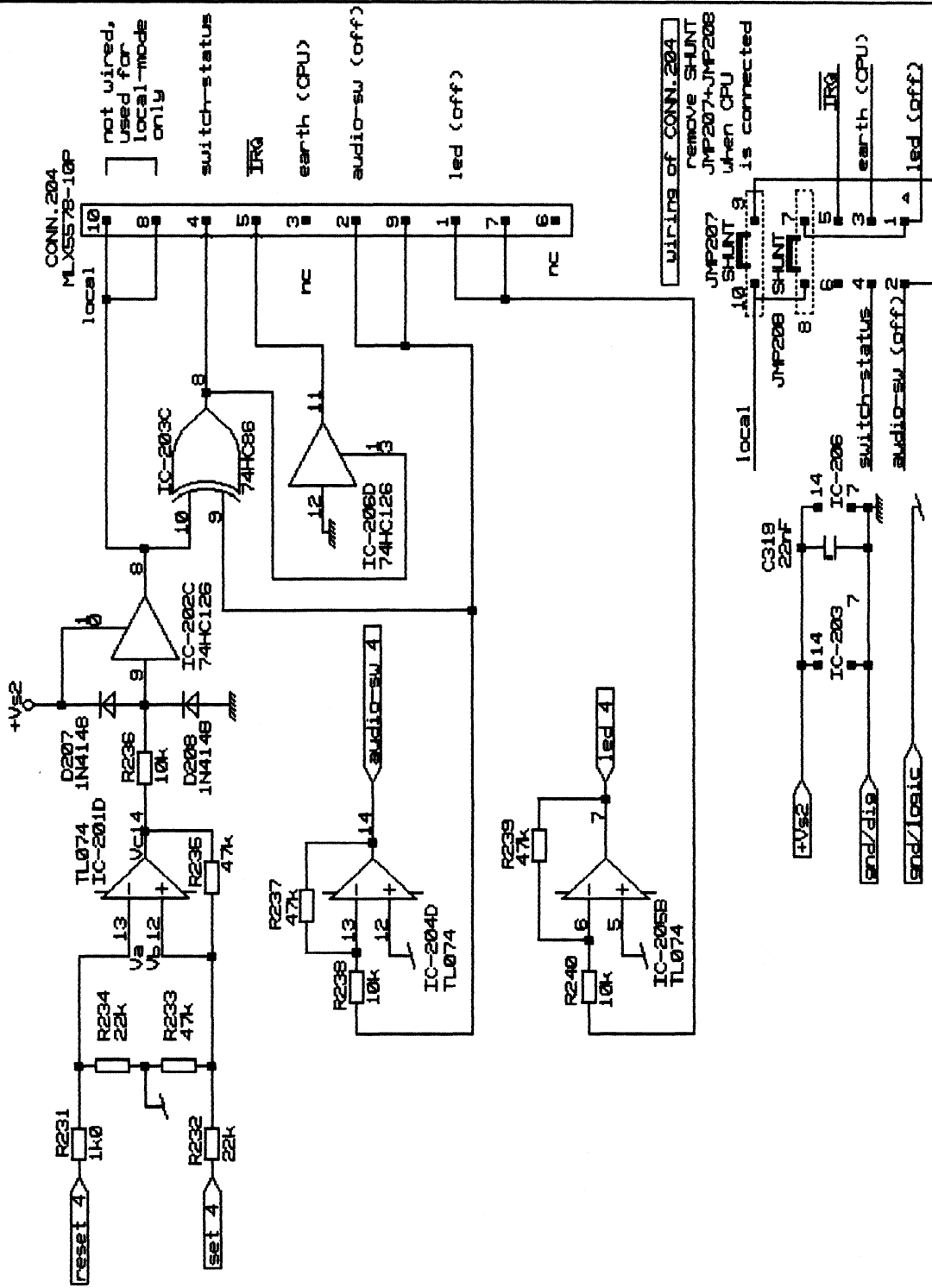


R1,Inkade 15b		STLYX master module PCB 4,5,6	
1382 GS WEESP		REV	
Tel: 02940-18014		Size Document Number	
Fax: 02940-16967		A	
Tlx: 18503 dr n1		STLYX-5 master interface aux 2	
DESIGN J. de Vries		P	
DRAWN J. de Vries		Date: March 9, 2038	
Electonica bv HOLLAND		Sheet 4 of 9	

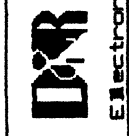


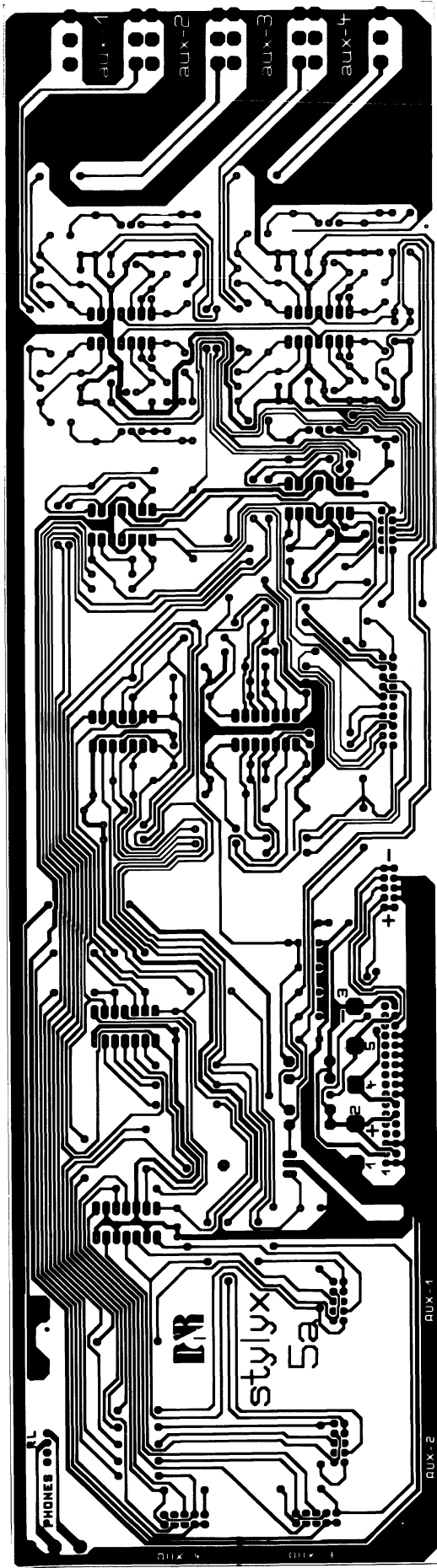
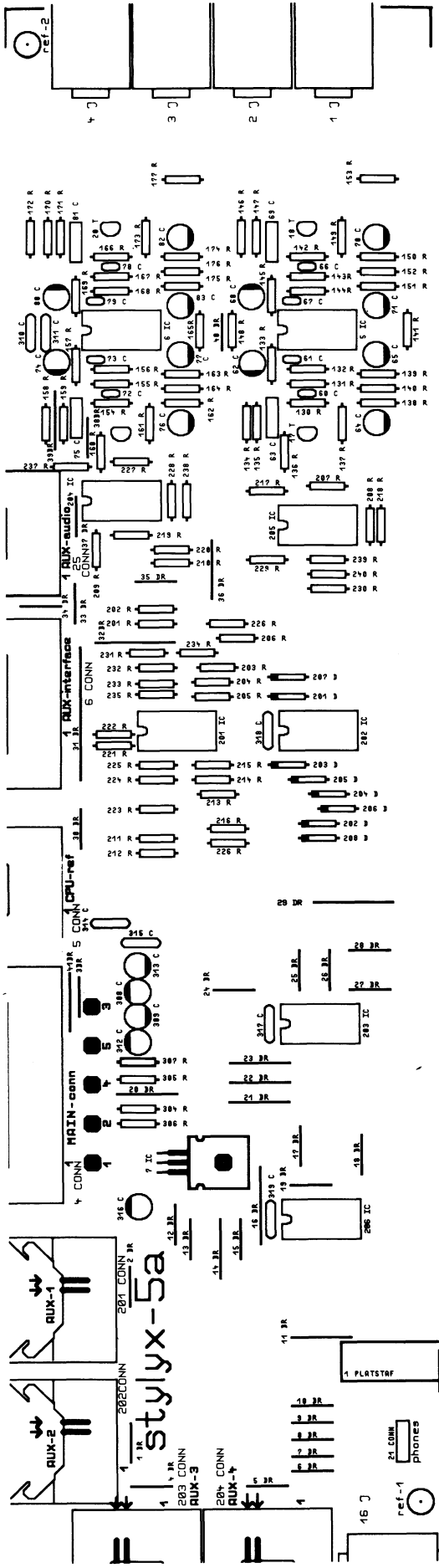
THIS DRAWING REPLACES PREVIOUS ONES		STLYX master module PCB 4,5,6	
INDEX		Size	Document Number
MOD. BY		A	STLYX-5 master interface aux 3
DATE	29-10-87		
DESIGN	J. de Vries		
DRAWN	J. de Vries	Date:	March 9, 2038 Sheet 5 of 9

Rijkswade 15b
1332 GS WESP
Tel: 02940-18014
Fax: 02940-18987
Tlx: 18503 dr n1
E.I. Electronica bv HOLLAND

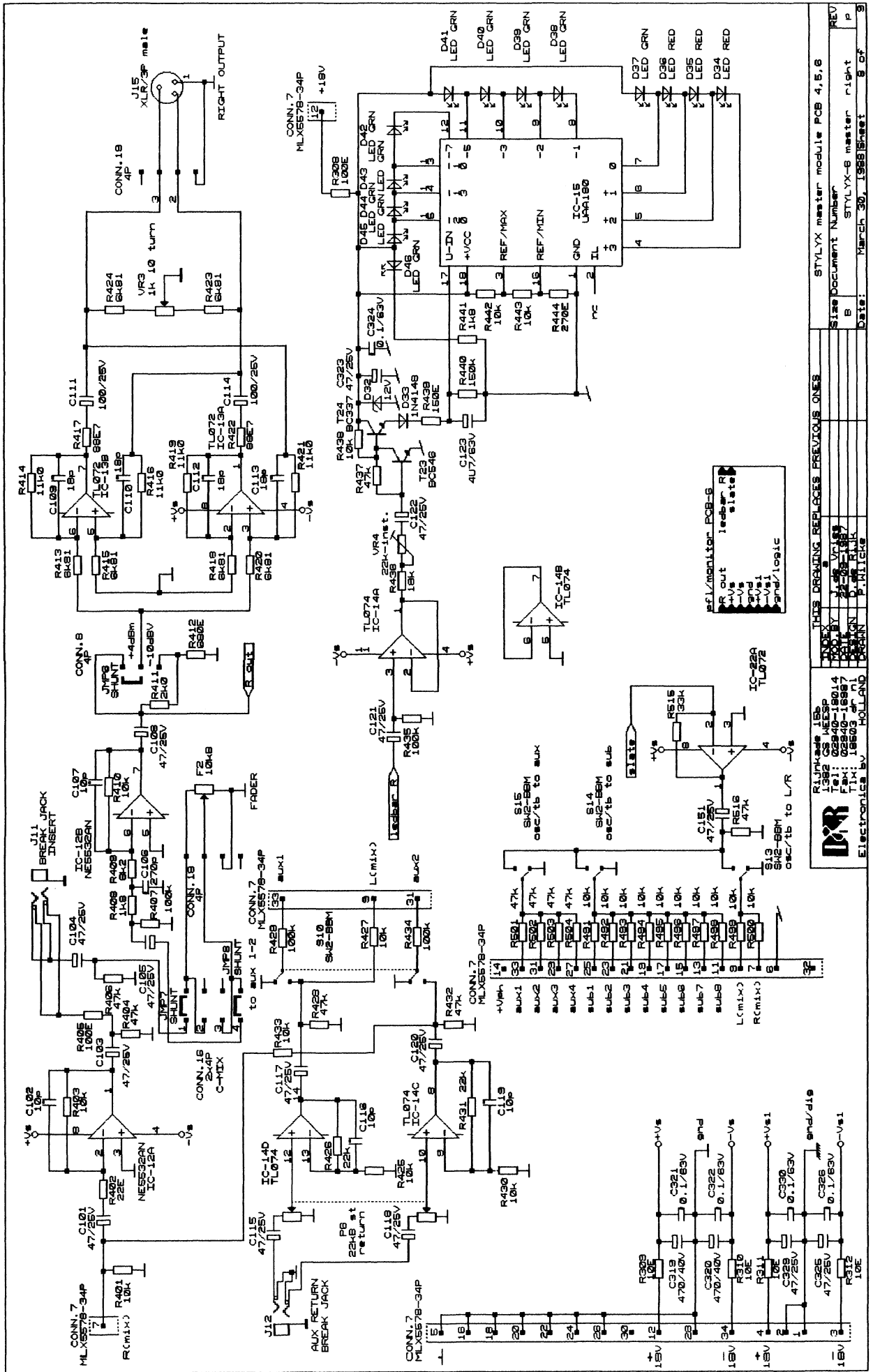


R1, Inkade 15b		THIS DRAWING REPLACES PREVIOUS ONES		STYLIX master module PCB 4, 5, 6	
1382 GS WEESP		INDEX		Size Document Number	
Tel: 02940-18014		MOD. BY		A	
Fax: 02940-16987		DATE		29-10-87	
Tlx: 18503 dr n1		DESIGN		J. de Vries	
Electronics by HOLLAND		DRAWN		J. de Vries	
Date: April 21, 1988		Sheet		6 of 9	

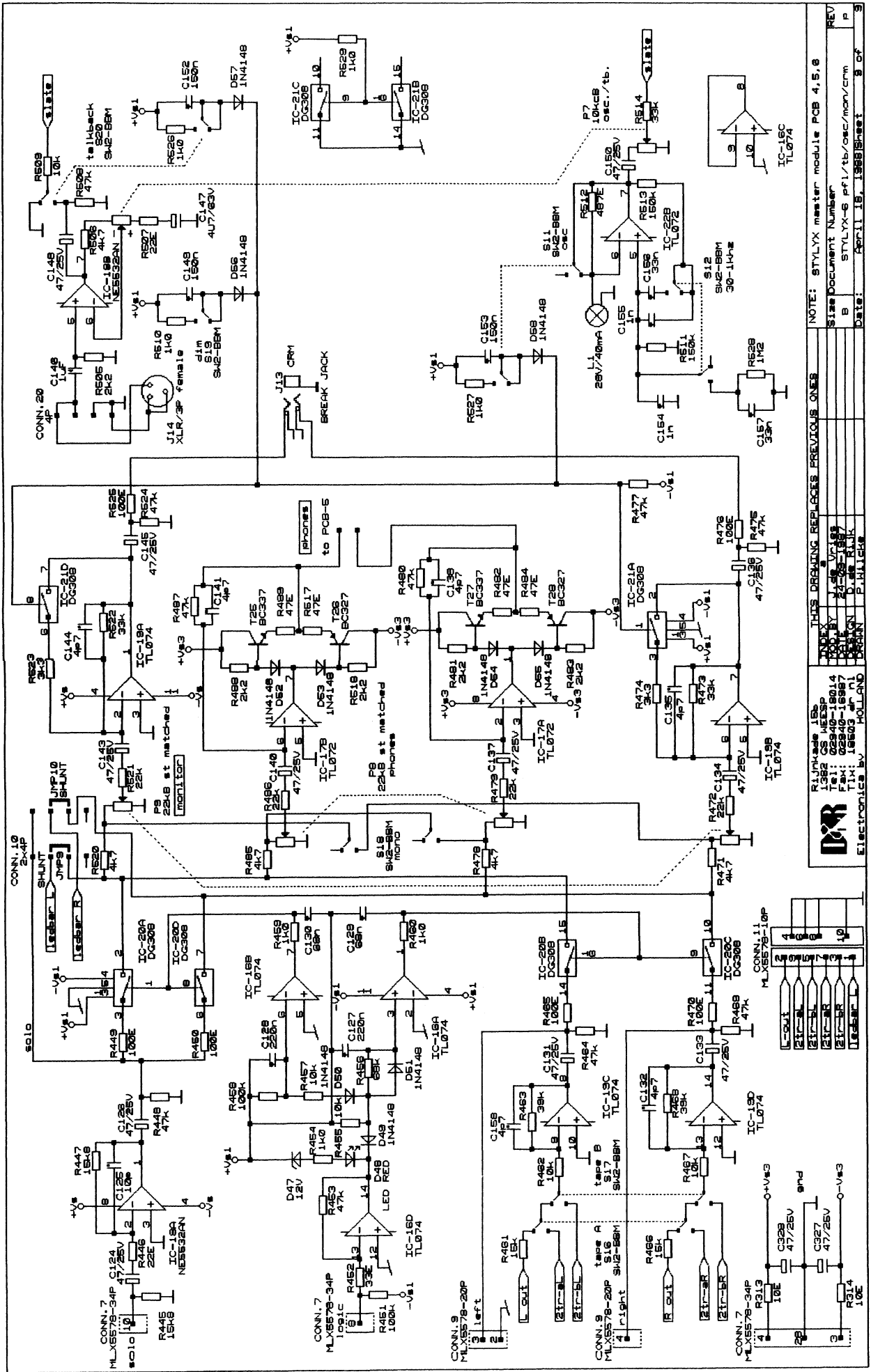




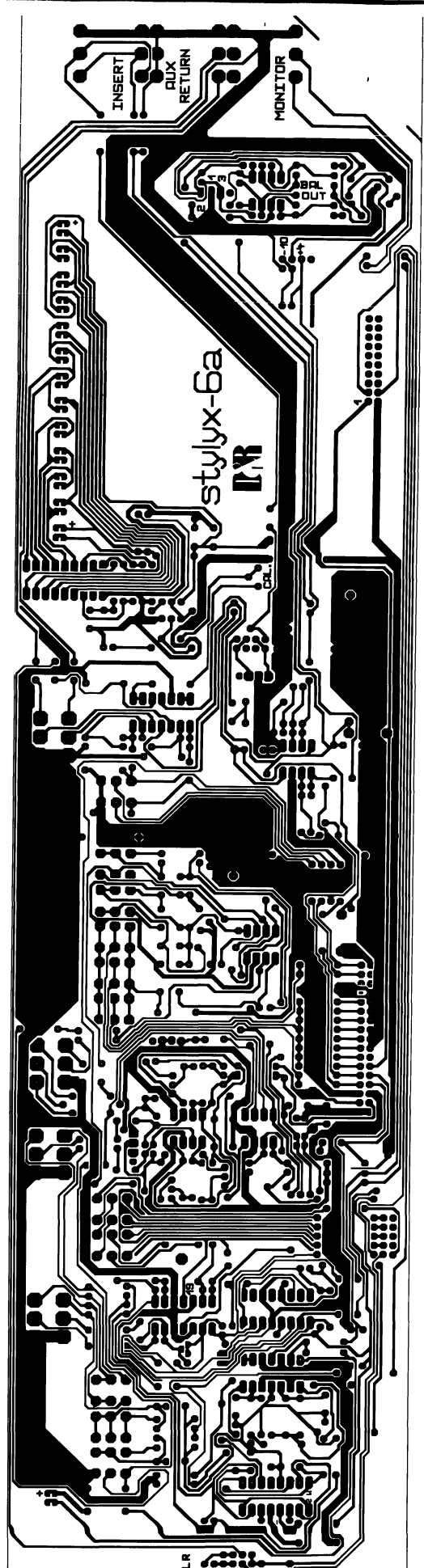
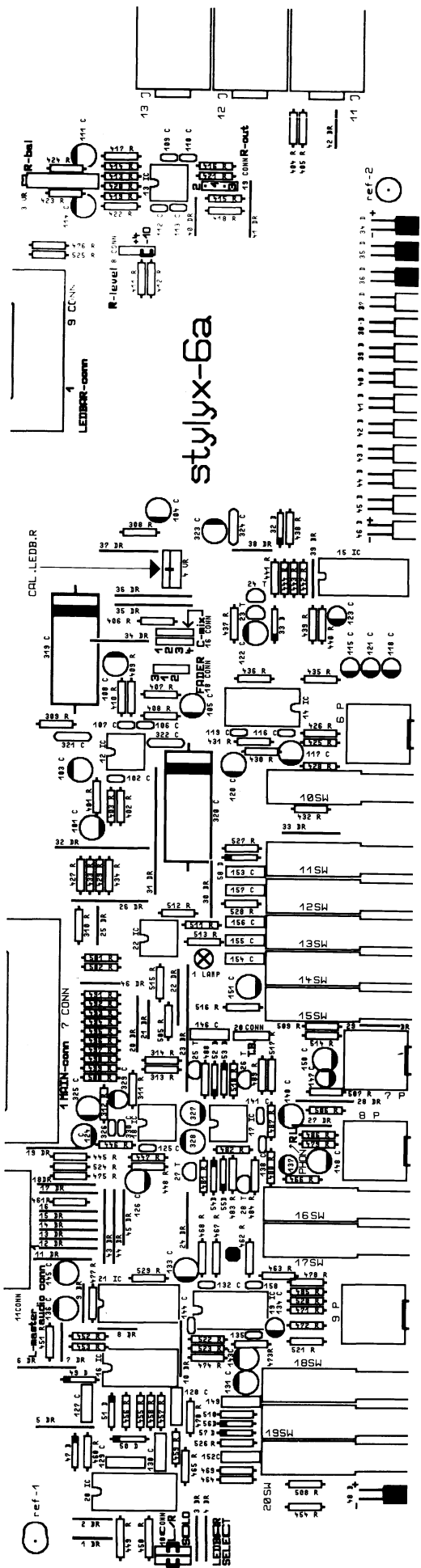
TELEX 18503 dr ni		TITLE :		THIS DRAWING REPLACES PREVIOUS ONES		NOTES	
TELEPHONE 02940-18014		INDEX		MOD.BY.		DATE	
RIJNSKADE 15D		PCB.REF. nr		DATE		CHECK 1	
1982GS WEESP		DESIGN		DATE		CHECK 2	
Electronic by Holland		SHEET		OF		DRAWN	



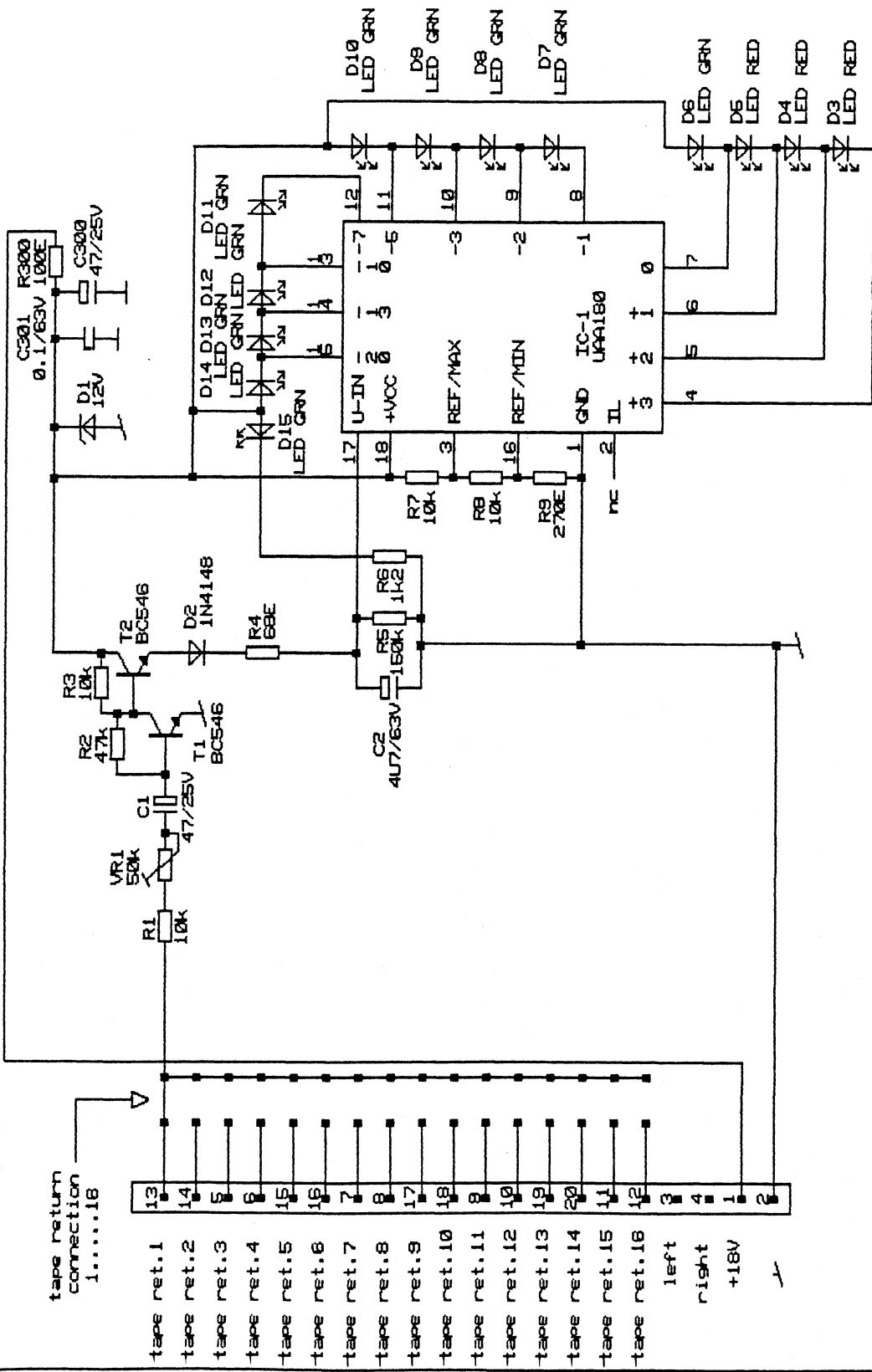
RUPK: 15b		THIS DRAWING REPLACES PREVIOUS ONES		STYLYX master module PCB 4,5,6	
1982 GS MEESP		DRAWN BY: J. VAN DER WOUDE		Size Document Number	
1981 GS MEESP		CHECKED BY: J. VAN DER WOUDE		B	
1981 GS MEESP		DESIGNED BY: J. VAN DER WOUDE		STYLYX-B master right	
1981 GS MEESP		DATE: 1981-03-30		REV	
1981 GS MEESP		DATE: 1981-03-30		1	
1981 GS MEESP		DATE: 1981-03-30		2	
1981 GS MEESP		DATE: 1981-03-30		3	
1981 GS MEESP		DATE: 1981-03-30		4	
1981 GS MEESP		DATE: 1981-03-30		5	
1981 GS MEESP		DATE: 1981-03-30		6	
1981 GS MEESP		DATE: 1981-03-30		7	
1981 GS MEESP		DATE: 1981-03-30		8	
1981 GS MEESP		DATE: 1981-03-30		9	
1981 GS MEESP		DATE: 1981-03-30		10	
1981 GS MEESP		DATE: 1981-03-30		11	
1981 GS MEESP		DATE: 1981-03-30		12	
1981 GS MEESP		DATE: 1981-03-30		13	
1981 GS MEESP		DATE: 1981-03-30		14	
1981 GS MEESP		DATE: 1981-03-30		15	
1981 GS MEESP		DATE: 1981-03-30		16	
1981 GS MEESP		DATE: 1981-03-30		17	
1981 GS MEESP		DATE: 1981-03-30		18	
1981 GS MEESP		DATE: 1981-03-30		19	
1981 GS MEESP		DATE: 1981-03-30		20	
1981 GS MEESP		DATE: 1981-03-30		21	
1981 GS MEESP		DATE: 1981-03-30		22	
1981 GS MEESP		DATE: 1981-03-30		23	
1981 GS MEESP		DATE: 1981-03-30		24	
1981 GS MEESP		DATE: 1981-03-30		25	
1981 GS MEESP		DATE: 1981-03-30		26	
1981 GS MEESP		DATE: 1981-03-30		27	
1981 GS MEESP		DATE: 1981-03-30		28	
1981 GS MEESP		DATE: 1981-03-30		29	
1981 GS MEESP		DATE: 1981-03-30		30	
1981 GS MEESP		DATE: 1981-03-30		31	
1981 GS MEESP		DATE: 1981-03-30		32	
1981 GS MEESP		DATE: 1981-03-30		33	
1981 GS MEESP		DATE: 1981-03-30		34	
1981 GS MEESP		DATE: 1981-03-30		35	
1981 GS MEESP		DATE: 1981-03-30		36	
1981 GS MEESP		DATE: 1981-03-30		37	
1981 GS MEESP		DATE: 1981-03-30		38	
1981 GS MEESP		DATE: 1981-03-30		39	
1981 GS MEESP		DATE: 1981-03-30		40	
1981 GS MEESP		DATE: 1981-03-30		41	
1981 GS MEESP		DATE: 1981-03-30		42	
1981 GS MEESP		DATE: 1981-03-30		43	
1981 GS MEESP		DATE: 1981-03-30		44	
1981 GS MEESP		DATE: 1981-03-30		45	
1981 GS MEESP		DATE: 1981-03-30		46	
1981 GS MEESP		DATE: 1981-03-30		47	
1981 GS MEESP		DATE: 1981-03-30		48	
1981 GS MEESP		DATE: 1981-03-30		49	
1981 GS MEESP		DATE: 1981-03-30		50	
1981 GS MEESP		DATE: 1981-03-30		51	
1981 GS MEESP		DATE: 1981-03-30		52	
1981 GS MEESP		DATE: 1981-03-30		53	
1981 GS MEESP		DATE: 1981-03-30		54	
1981 GS MEESP		DATE: 1981-03-30		55	
1981 GS MEESP		DATE: 1981-03-30		56	
1981 GS MEESP		DATE: 1981-03-30		57	
1981 GS MEESP		DATE: 1981-03-30		58	
1981 GS MEESP		DATE: 1981-03-30		59	
1981 GS MEESP		DATE: 1981-03-30		60	
1981 GS MEESP		DATE: 1981-03-30		61	
1981 GS MEESP		DATE: 1981-03-30		62	
1981 GS MEESP		DATE: 1981-03-30		63	
1981 GS MEESP		DATE: 1981-03-30		64	
1981 GS MEESP		DATE: 1981-03-30		65	
1981 GS MEESP		DATE: 1981-03-30		66	
1981 GS MEESP		DATE: 1981-03-30		67	
1981 GS MEESP		DATE: 1981-03-30		68	
1981 GS MEESP		DATE: 1981-03-30		69	
1981 GS MEESP		DATE: 1981-03-30		70	
1981 GS MEESP		DATE: 1981-03-30		71	
1981 GS MEESP		DATE: 1981-03-30		72	
1981 GS MEESP		DATE: 1981-03-30		73	
1981 GS MEESP		DATE: 1981-03-30		74	
1981 GS MEESP		DATE: 1981-03-30		75	
1981 GS MEESP		DATE: 1981-03-30		76	
1981 GS MEESP		DATE: 1981-03-30		77	
1981 GS MEESP		DATE: 1981-03-30		78	
1981 GS MEESP		DATE: 1981-03-30		79	
1981 GS MEESP		DATE: 1981-03-30		80	
1981 GS MEESP		DATE: 1981-03-30		81	
1981 GS MEESP		DATE: 1981-03-30		82	
1981 GS MEESP		DATE: 1981-03-30		83	
1981 GS MEESP		DATE: 1981-03-30		84	
1981 GS MEESP		DATE: 1981-03-30		85	
1981 GS MEESP		DATE: 1981-03-30		86	
1981 GS MEESP		DATE: 1981-03-30		87	
1981 GS MEESP		DATE: 1981-03-30		88	
1981 GS MEESP		DATE: 1981-03-30		89	
1981 GS MEESP		DATE: 1981-03-30		90	
1981 GS MEESP		DATE: 1981-03-30		91	
1981 GS MEESP		DATE: 1981-03-30		92	
1981 GS MEESP		DATE: 1981-03-30		93	
1981 GS MEESP		DATE: 1981-03-30		94	
1981 GS MEESP		DATE: 1981-03-30		95	
1981 GS MEESP		DATE: 1981-03-30		96	
1981 GS MEESP		DATE: 1981-03-30		97	
1981 GS MEESP		DATE: 1981-03-30		98	
1981 GS MEESP		DATE: 1981-03-30		99	
1981 GS MEESP		DATE: 1981-03-30		100	



THIS DRAWING REPLACES PREVIOUS ONES THIS DRAWING REPLACES PREVIOUS ONES	
Right-side 15B 1382 CS 4653 File: 02840-1887 Design: 15B Title: 18503 4r n1	Date: April 15, 1988 Sheet 8 of 9
DR Electronics by HOLLAND	NOTE: STYLIX master module PCB 4,5,8 Size Document Number B STYLIX-6 pfl/tb/osc/mon/crm REV p



TELEX 18503 dr ni		TITLE :		THIS DRAWING REPLACES PREVIOUS ONES		NOTES	
TELEPHONE 02940-48014		PCB REF. DR		INDEX			
RIJNKADE 15b		DESIGN		MOD. BY.			
1382GS WEESP		DATE		DATE			
Electronica by Holland		SHEET		CHECK 1			
		OF		CHECK 2			
				DRAWN			



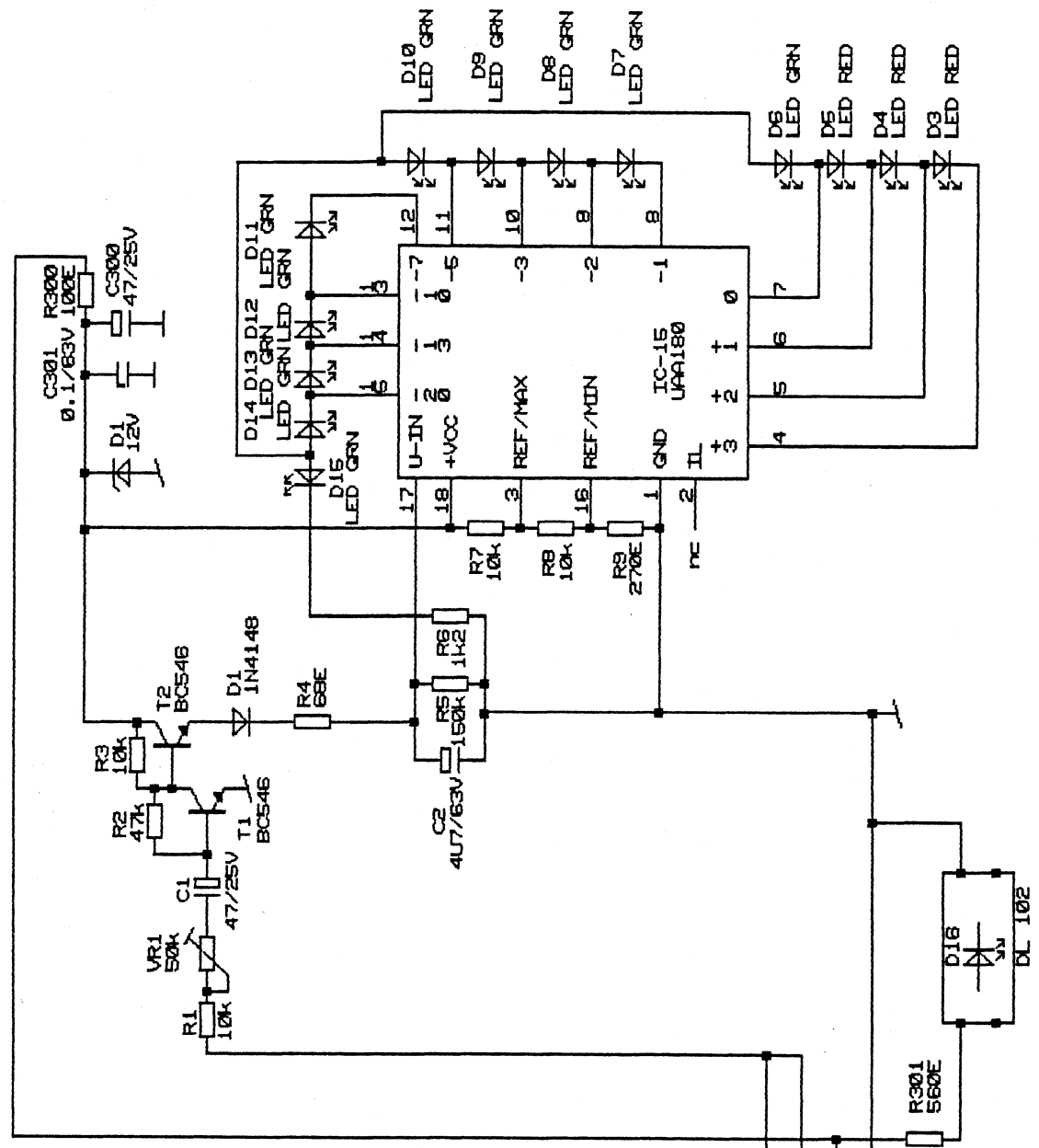
Rijkswade 15b 1382 GS WESP Tel: 02940-18014 Fax: 02940-16987 Tlx: 16503 dr n1 Electronica by HOLLAND		THIS DRAWING REPLACES PREVIOUS ONES		STYLX-7	
INDEX		MOD.BY	J. de Vries	Size	Document Number
DATE	17-09-1987	DESIGN	D. de Rijk	A	STYLX-7 ledbar
DRAWN	P. Wicke			Date:	June 2, 1988 Sheet 1 of 1
				REV	P

tape return connection 1.....16

- tape ret.1
- tape ret.2
- tape ret.3
- tape ret.4
- tape ret.5
- tape ret.6
- tape ret.7
- tape ret.8
- tape ret.9
- tape ret.10
- tape ret.11
- tape ret.12
- tape ret.13
- tape ret.14
- tape ret.15
- tape ret.16
- left
- right
- +18V

tape return connection
1.....16

- tape ret.1
- tape ret.2
- tape ret.3
- tape ret.4
- tape ret.5
- tape ret.6
- tape ret.7
- tape ret.8
- tape ret.9
- tape ret.10
- tape ret.11
- tape ret.12
- tape ret.13
- tape ret.14
- tape ret.15
- tape ret.16
- left
- right
- +18V



Rijkswade 15b
1362 GS WEESP
Tel: 02940-18014
Fax: 02940-16987
Tlx: 18503 dr n1
Electronica by HOLLAND



THIS DRAWING REPLACES PREVIOUS ONES

INDEX	STLYX-8
MOD. BY	J. de Vries
DATE	17-09-1987
DESIGN	D. de Rijk
DRAWN	P. Wilcke
Size	A
Document Number	STLYX-8 ledbar
REV	P
Date:	June 2, 1988
Sheet	1 of 1