

SETTINGS

STYLYX MAIN-CONNECTOR

date: 10-04-1988

pin nr.:	function:
1	digital ground
2	digital ground
3	- 18 V (for logic supplies)
4	+ 18 V (for logic supplies)
5	audio ground
6	ground logic
7	right master mixbuss
8	logic buss
9	left master mixbuss
10	solo mixbuss
11	sub 8 mixbuss
12	+ 18 V (for audio supply)
13	sub 7 mixbuss
14	+ V phantome (+48V)
15	sub 6 mixbuss
16	audio ground
17	sub 5 mixbuss
18	audio ground
19	sub 4 mixbuss
20	audio ground
21	sub 3 mixbuss
22	audio ground
23	sub 2 mixbuss
24	audio ground
25	sub 1 mixbuss
26	audio ground
27	aux 4 mixbuss
28	audio ground
29	aux 3 mixbuss
30	C-mix on/off (optional)
31	aux 2 mixbuss
32	chassis earth
33	aux 1 mixbuss
34	- 18 V (for audio supply)

2

34

TOP VIEW CONNECTOR

1

33

pin nr.: function: CONN 6 on PCB-5 <---> CONN 15 on PCB-4

1	aux-4 LED
2	+ Vs1 supply (from PCB-5)
3	aux-4 reset
4	n.c.
5	aux-4 set audio
6	aux-3 LED
7	aux-3 reset audio
8	n.c.
9	aux-3 set audio
10	n.c.
11	aux-1 LED
12	n.c.
13	aux-2 reset audio
14	n.c.
15	aux-2 set audio
16	n.c.
17	aux-1 set audio
18	aux-1 reset audio
19	- Vs1 supply (from PCB-5)
20	aux-2 LED

2 20

 | ***** | TOP VIEW CONNECTOR

^ 1 19

pin nr.: function: CONN 25 on PCB-5 <---> CONN 24 on PCB-4

1	ground shield (from PCB-4)
2	aux-4 (slider)
3	ground shield (from PCB-4)
4	aux-3 (slider)
5	ground shield (from PCB-4)
6	aux-2 (slider)
7	ground shield (from PCB-4)
8	aux-1 (slider)
9	ground shield (from PCB-4)
10	+ Vs1 (from PCB-5)

2 10

* * * * *	TOP VIEW CONNECTOR
* * * * *	

^ 1 9

STYLYX LEFT-MASTER AUDIO CONNECTOR

date: 10-04-19

pin nr.: function: CONN 14 on PCB-4 <---> CONN 11 on PCB-6

1	L-LEDbar send (to PCB-4)
2	L-out (0dBu)
3	two-track B right-input
4	ground shield (from PCB-4)
5	two-track B left-input
6	ground shield (from PCB-4)
7	two-track A right-input
8	ground shield (from PCB-4)
9	two-track A left-input
10	ground shield (from PCB-4)

2 10

* * * * *	TOP VIEW CONNECTOR
* * * * *	

^ 1 9

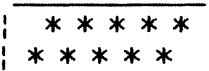
STYLYX CPU-REFERENCE CONN .

date: 10-04-1988

pin nr.: function: CONN 5 on PCB-5 <---> on CPU module

1	+ 18 V
2	+ 18 V
3	+ 48 V (phantome)
4	earth
5	C-mix on/off
6	earth
7	chassis earth
8	earth
9	- 18 V
10	- 18 V

2 10



TOP VIEW CONNECTOR

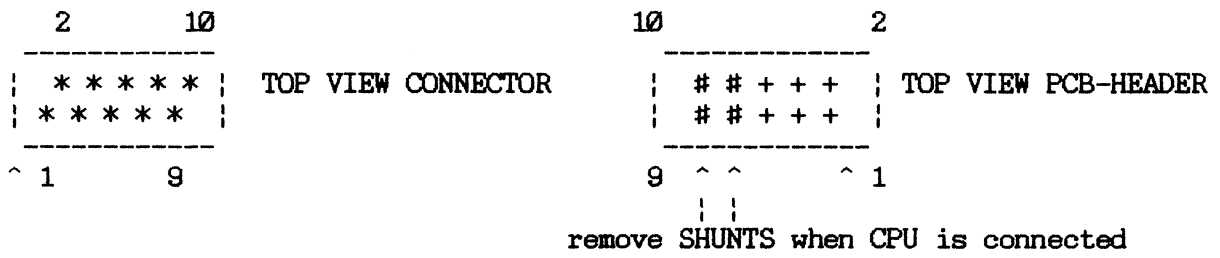
^ 1 9

STYLYX CH/MASTER/INTERFACE

date: 10-04-1988

pin nr.: function: CONN 201 on CHANNEL, CONN 201-204 on master

1	LED (off)
2	audio-sw (off)
3	earth (CPU)
4	switch-status
5	inverted IRQ
6	not wired
7	LED (off)
8	not wired (used for local-mode only)
9	audio sw (off)
10	not wired (used for local-mode only)



STYLYX LED-BAR CONNECTOR

date: 10-04-1988

pin nr.: function: CONN 6 on PCB-3, CONN 9 on PCB-6, D-CONN chassis

1	:	+ 18 V
2	:	ground logic
3	:	L-master LEDfeed
4	:	R-master LEDfeed
5	:	tape return 3 LEDfeed
6	:	tape return 4 LEDfeed
7	:	tape return 7 LEDfeed
8	:	tape return 8 LEDfeed
9	:	tape return 11 LEDfeed
10	:	tape return 12 LEDfeed
11	:	tape return 15 LEDfeed
12	:	tape return 16 LEDfeed
13	:	tape return 1 LEDfeed
14	:	tape return 2 LEDfeed
15	:	tape return 5 LEDfeed
16	:	tape return 6 LEDfeed
17	:	tape return 9 LEDfeed
18	:	tape return 10 LEDfeed
19	:	tape return 13 LEDfeed
20	:	tape return 14 LEDfeed

2 20

```

: * * * * * * * * * * : TOP VIEW CONNECTOR
: * * * * * * * * * * :

```

^ 1 19

STYLYX-1A SHUNT SETTINGS

date: 10-04-1988

CONN 3 AUX1+2 standard: pre fader | 0 ### 0 |

 optional: pre equalizer | ### 0 0 |

CONN 4+5 AUX3+4 standard: post fader | # 0 0 0 |

 # -----
0 0 0

optional: pre equalizer | 0 # 0 0 |

 # -----
0 # 0 0

optional: pre fader | 0 0 # 0 |

 # -----
0 0 # 0

CONN 6 C-MIX standard: not in use

 | ### |
 | 0 0 |
 | 0 0 |
###

optional: in use

 | 0 0 | 1
 | 0 0 | 2
 | 0 0 | 3
 | 0 0 | 4

CONN 201 CPU CHANNEL INTERFACE 10 2

standard: not in use | # # + + + | SIDE-VIEW PCB-HEADER

 | # # + + + |

optional: CPU in use 9 | | ^ 1
 remove 2 SHUNTS

STYLYX-1A WIRING

CONN 2 MIC INPUT (XLR) colour | 0 0 0 0 |

 1 not wired - (black) 1 2 3 4
 2 ground 1 (green)
 3 out of phase 3 (red)
 4 in phase 2 (blue)

CONN 7 FADER CONN. (FADER) colour | 0 0 0 0 |

 1 not wired - (black) 1 2 3 4
 2 top 3 (green)
 3 ground 1 (red)
 4 slider 2 (blue)

STYLYX-2A SHUNT SETTINGS

date: 30-05-1988

CONN 4	AUX1+2	optional: post fader	<pre> : # 0 0 0 : - # ----- : # 0 0 0 : </pre>
		optional: switchable	<pre> : 0 # 0 0 : - # ----- : 0 # 0 0 : </pre>
		standard: pre fader	<pre> : 0 0 # 0 : - # ----- : 0 0 # 0 : </pre>
		optional: pre equalizer	<pre> : 0 0 0 # : - # ----- : 0 0 0 # : </pre>
CONN 5	AUX3+4	standard: post fader	<pre> : # 0 0 0 : - # ----- : # 0 0 0 : </pre>
		optional: switchable	<pre> : 0 # 0 0 : - # ----- : 0 # 0 0 : </pre>
		optional: pre fader	<pre> : 0 0 # 0 : - # ----- : 0 0 # 0 : </pre>
		optional: pre equalizer	<pre> : 0 0 0 # : - # ----- : 0 0 0 # : </pre>
CONN 6+7	C-MIX	standard: not in use	<pre> : ### : : 0 0 : : 0 0 : : ### : </pre>
		optional: in use	<pre> : 0 0 : 1 : 0 0 : 2 : 0 0 : 3 : 0 0 : 4 </pre>
		(no shunts)	

CONN 8+9 DIRECT OUT standard : + 4dBu : ### 0 0 :
 optional: -10dBV : 0 ### 0 :

CONN 201 CPU CHANNEL INTERFACE 10 2
 standard: not in use : # # + + + : SIDE-VIEW PCB-HEADER
 : # # + + + :
 optional: CPU in use 9 : : ^ 1
 remove 2 SHUNTS

STYLYX-2A WIRING

CONN 2+3 FADER CONN. (FADER) colour : 0 : 1
 1 not wired - (black) : 0 : 2
 2 top 3 (green) : 0 : 3
 3 ground 1 (red) : 0 : 4
 4 slider 2 (blue)
 CONN 10 REMOTE CONN. (SWITCH) color (JACK) : 0 0 0 0 :
 1 not wired - (black)
 2 break-contact 2 (green) [sleeve]
 3 make-contact 4 (red) [ring]
 4 P-contact 1 (blue) [tip]

STYLYX-3A SHUNT SETTINGS

date: 25-04-1988

			CONN 2 :	CONN 7 :
CONN 2 + 7	AUX 3 + 4	standard: post-fader	; ### 0 0 ;	; 0 ### 0 ;
	(2 x 1 shunt)	optional: pre equalizer	; 0 ### 0 ;	; 0 0 ### ;
CONN 3 + 8	TAPE OUT	standard: -10 dBV	; 0 ### 0 ;	
	(1 shunt)	optional: + 4 dBu	; ### 0 0 ;	
CONN 4 + 9	TAPE IN	standard: -10 dBV	; 0 ### 0 ;	
		optional: + 4 dBu	; ### 0 0 ;	
CONN 5	SUBGROUP SELECT	first module:	; 0 0 0 # ; 0 0 0 # ;	
	(2 shunts)		# #	
			; 0 0 0 # ; 0 0 0 # ;	
		second module:	; 0 0 # 0 ; 0 0 # 0 ;	
			# #	
			; 0 0 # 0 ; 0 0 # 0 ;	
		third module:	; 0 # 0 0 ; 0 # 0 0 ;	
			# #	
			; 0 # 0 0 ; 0 # 0 0 ;	
		fourth module:	; # 0 0 0 ; # 0 0 0 ;	
			# #	
			; # 0 0 0 ; # 0 0 0 ;	
CONN 10+11	C-MIX	standard: not in use	###	
	(2 x 2 shunts)		0 0	
			0 0	
			###	
	optional: in use		0 0 ; 1	
	(no shunts)		0 0 ; 2	
			0 0 ; 3	
			0 0 ; 4	

CONN 201+202 CPU CHANNEL INTERFACE

10 2

standard: not in use

|| # # + + + ||
|| # # + + + ||

SIDE-VIEW PCB-HEADER

optional: CPU in use

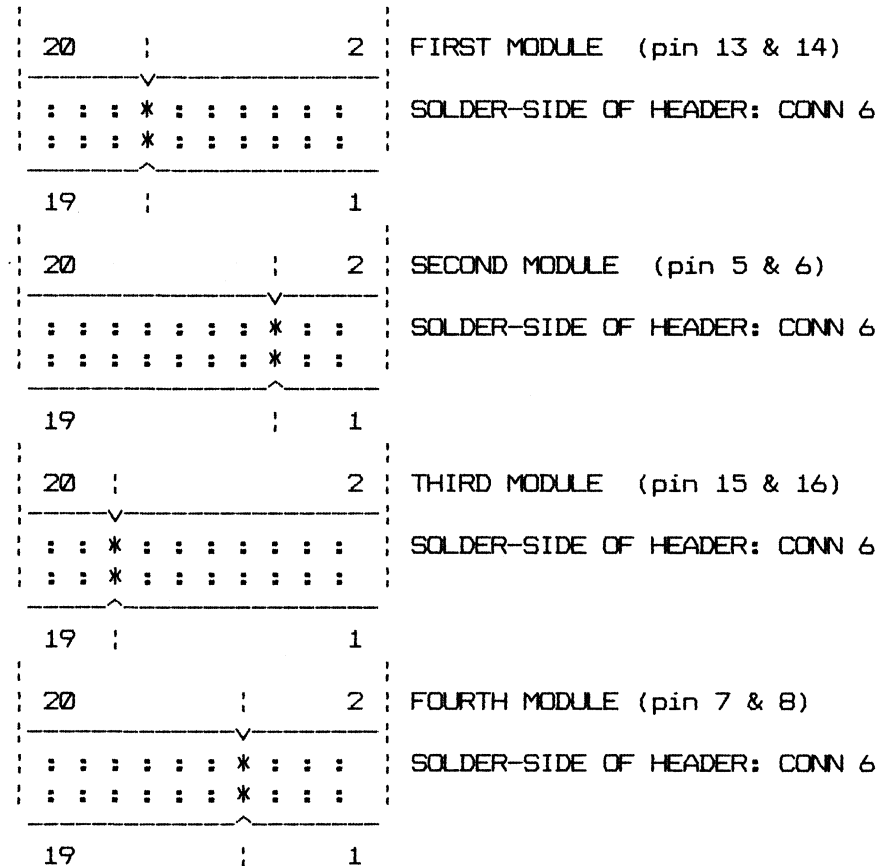
9 || ^ 1
remove 2 SHUNTS

STYLYX-3A WIRING

CONN 12+13 FADER CONN. (FADER) colour

1	not wired	-	(black)	0	1
2	top	3	(green)	0	2
3	ground	1	(red)	0	3
4	slider	2	(blue)	0	4

CONN 6 LEDBAR CONNECTOR 20pins



- optional FIFTH MODULE : pin 17 & 18
- optional SIXTH MODULE : pin 9 & 10
- optional SEVENTH MODULE : pin 19 & 20
- optional EIGHTH MODULE : pin 11 & 12

STYLYX-4A SHUNT SETTINGS

date: 10-04-1988

CONN 2	L-OUT standard: + 4 dBu (1 shunt)	<pre> ----- # # 0 0 ----- </pre>	<pre> ----- 0 # # 0 ----- </pre>	<p>optional: -10 dBV (1 shunt)</p>
CONN 3	2-TRACK A/B standard: -10 dBV (4 shunts)	<pre> ----- # BL # # BR # # AL # # AR # ----- </pre>	<pre> ----- 0 BL 0 0 BR 0 0 AL 0 0 AR 0 ----- </pre>	<p>optional: + 4 dBu (no shunts)</p>
CONN 12	C-MIX standard: not in use (2 shunts)	<pre> ----- ### 0 0 0 0 ### ----- </pre>	<pre> ----- 0 0 1 0 0 2 0 0 3 0 0 4 ----- </pre>	<p>optional: in use (no shunts)</p>

STYLYX-4A WIRING

CONN 13	C-MIX ON	colour	<pre> ----- 0 1 0 2 0 3 0 4 ----- </pre>
	1 not connected	(black)	
	2 not connected	(green)	
	3 C-MIX on (+12V)	(red)	
	4 C-MIX ground	(blue)	
CONN 14	LEFT-MASTER AUDIO CONN. to PCB-6 10-pin to 10-pin connector		
CONN 15	AUX-INTERFACE to PCB-5 20-pin to 20-pin connector		
CONN 21	FADER CONN.	(FADER) colour	<pre> ----- 0 1 0 2 0 3 0 4 ----- </pre>
	1 not wired	- (black)	
	2 top	3 (green)	
	3 ground	1 (red)	
	4 slider	2 (blue)	
CONN 22	LEFT OUTPUT	(XLR) colour	<pre> ----- 0 1 0 2 0 3 0 4 ----- </pre>
	1 not wired	- (black)	
	2 ground	1 (green)	
	3 out of phase	3 (red)	
	4 in phase	2 (blue)	
CONN 24	AUX AUDIO to PCB-5 10-pin to 10-pin connector		

STYLYX-6A SHUNT SETTINGS

date: 10-04-1988

CONN 8 R-OUT standard: + 4 dBu
(1 shunt)

```

-----
# |
# |
0 |
0 |
-----
    
```

```

-----
0 |
# |
# |
0 |
-----
    
```

optional: -10 dBV
(1 shunt)

CONN 10 LEDBAR SELECT standard: L/R
(2 shunts)

```

-----
0 0 |
# # |
# # |
# # |
0 0 |
-----
    
```

L/R

```

-----
0 0 |
0 0 |
# # |
# # |
# # |
-----
    
```

SOLO

optional: SOLO
(2 shunts)

CONN 16 C-MIX standard: not in use
(2 shunts)

```

-----
### |
0 0 |
0 0 |
### |
-----
    
```

```

-----
0 0 | 1
0 0 | 2
0 0 | 3
0 0 | 4
-----
    
```

optional: in use
(no shunts)

STYLYX-6A WIRING

CONN 20 TALKBACK colour

```

-----
1 TALKBACK input (black) | 0 | 1
2 ground (green) | 0 | 2
3 ground (red) | 0 | 3
4 not wired (blue) | 0 | 4
-----
    
```

CONN 11 LEFT-MASTER AUDIO CONN.to PCB-4 10-pin to 10-pin connector

CONN 18 FADER CONN. (FADER) colour

```

-----
1 not wired - (black) | 0 | 1
2 top 3 (green) | 0 | 2
3 ground 1 (red) | 0 | 3
4 slider 2 (blue) | 0 | 4
-----
    
```

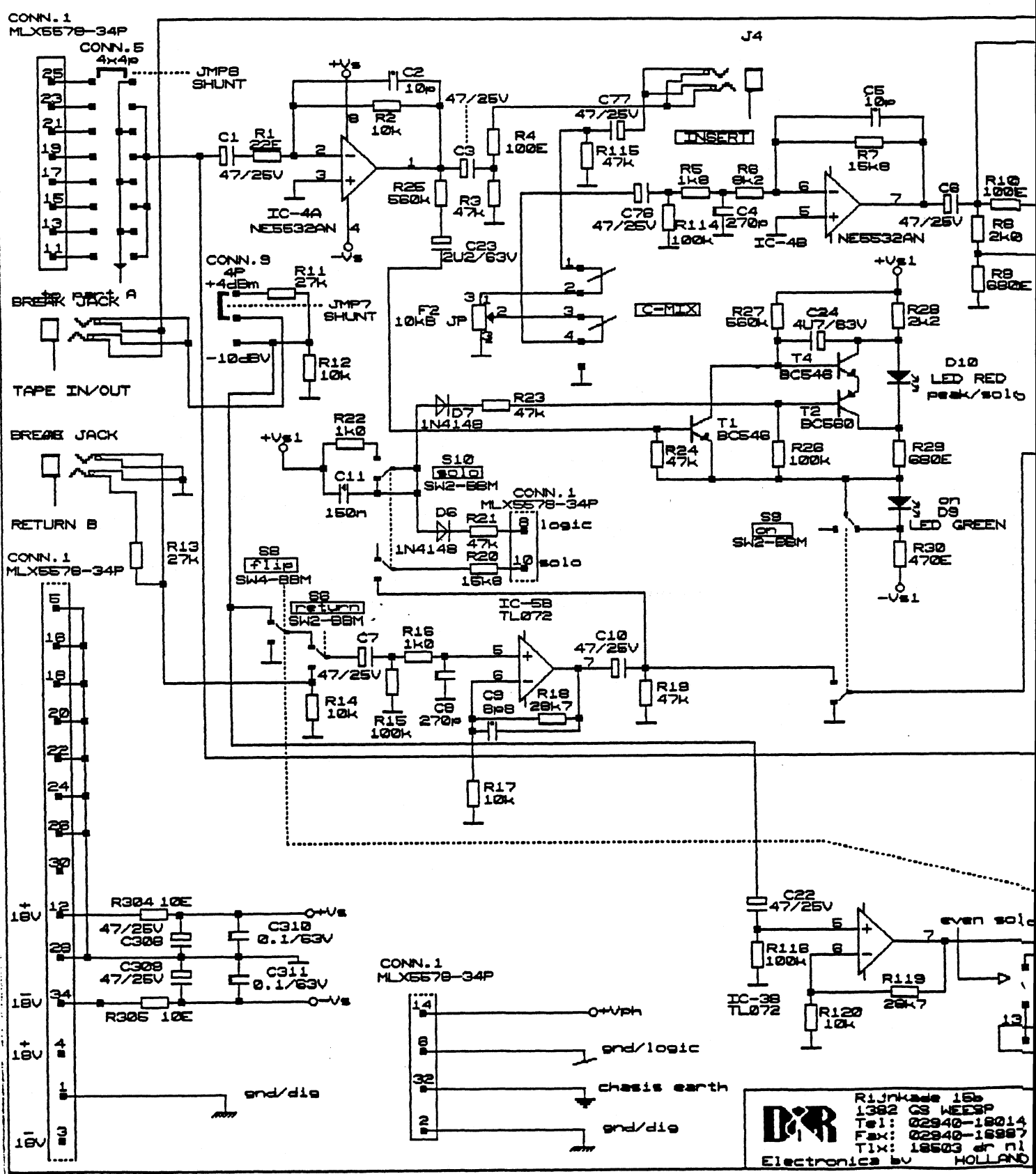
CONN 19 RIGHT OUT (XLR) colour


```

-----
1 not wired - (black) | 0 | 1
2 ground 1 (green) | 0 | 2
3 out of phase 3 (red) | 0 | 3
4 in phase 2 (blue) | 0 | 4
-----
    
```

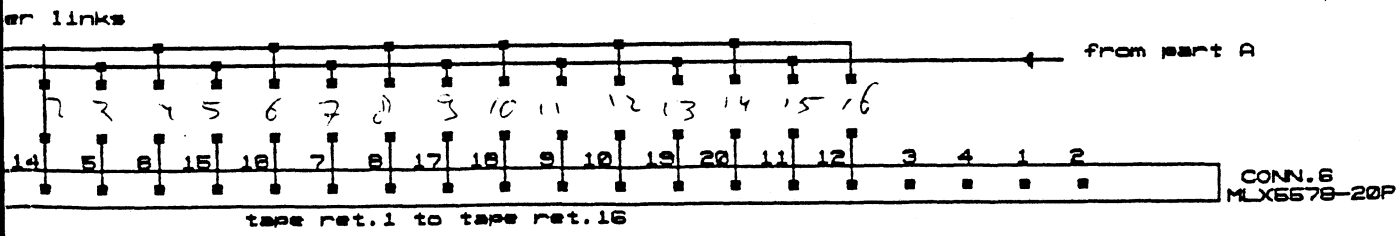
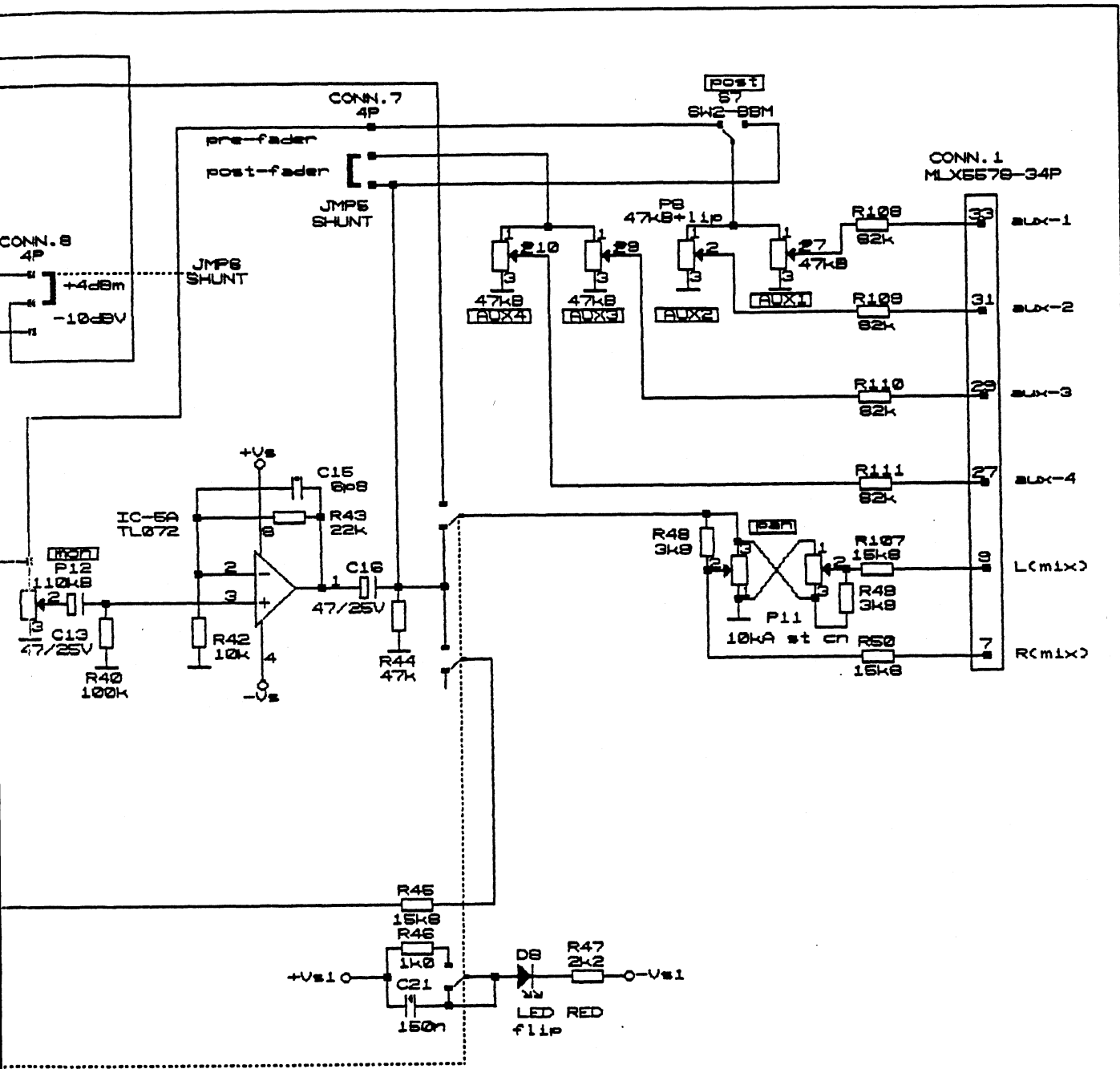
DRAWINGS

BREAK JACK



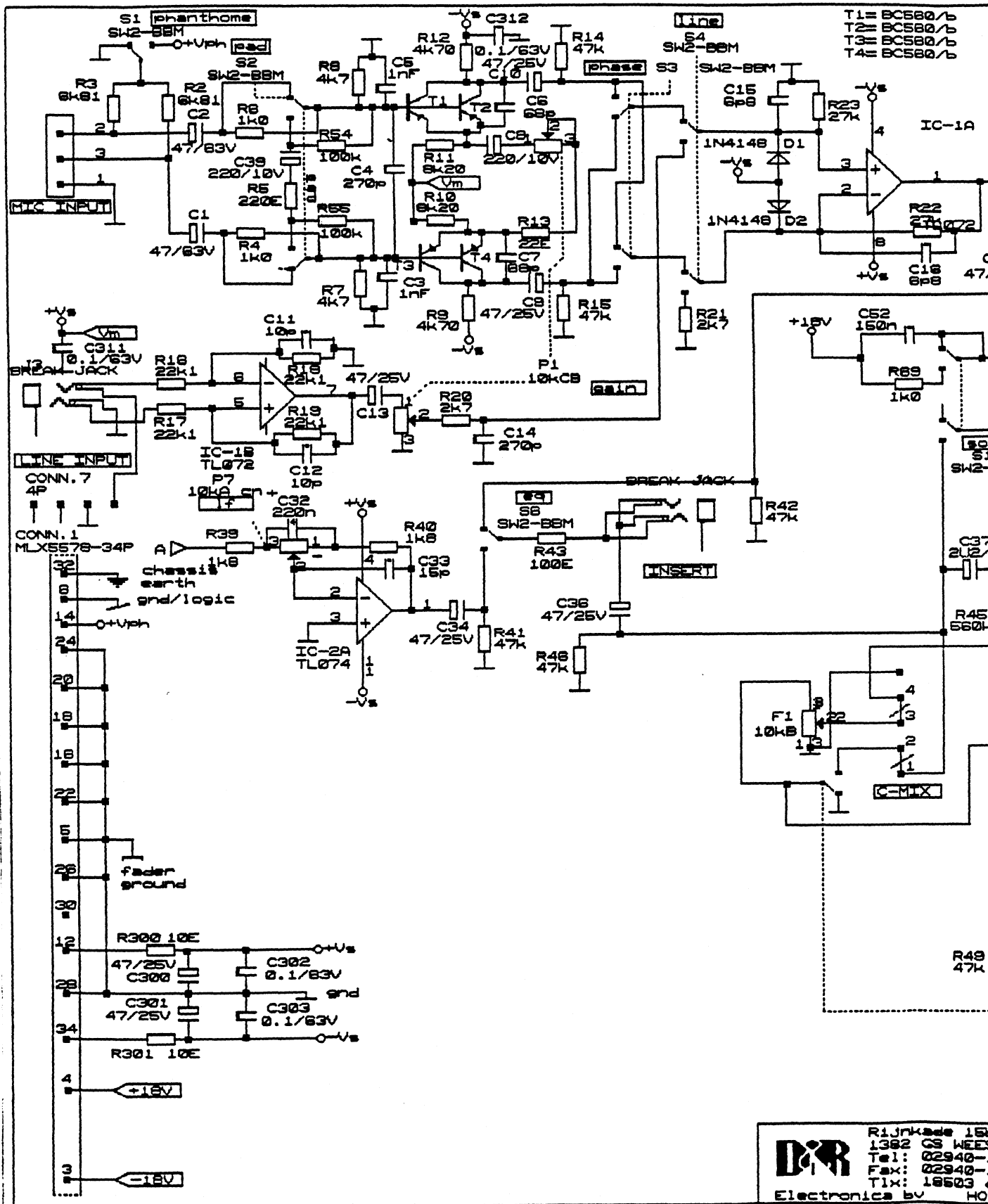

 Rijnkade 15b
 1382 CS WEESP
 Tel: 02940-18014
 Fax: 02940-18987
 Tlx: 18503 er nl
 Electronics bv HOLLAND

STYLYX 30/3

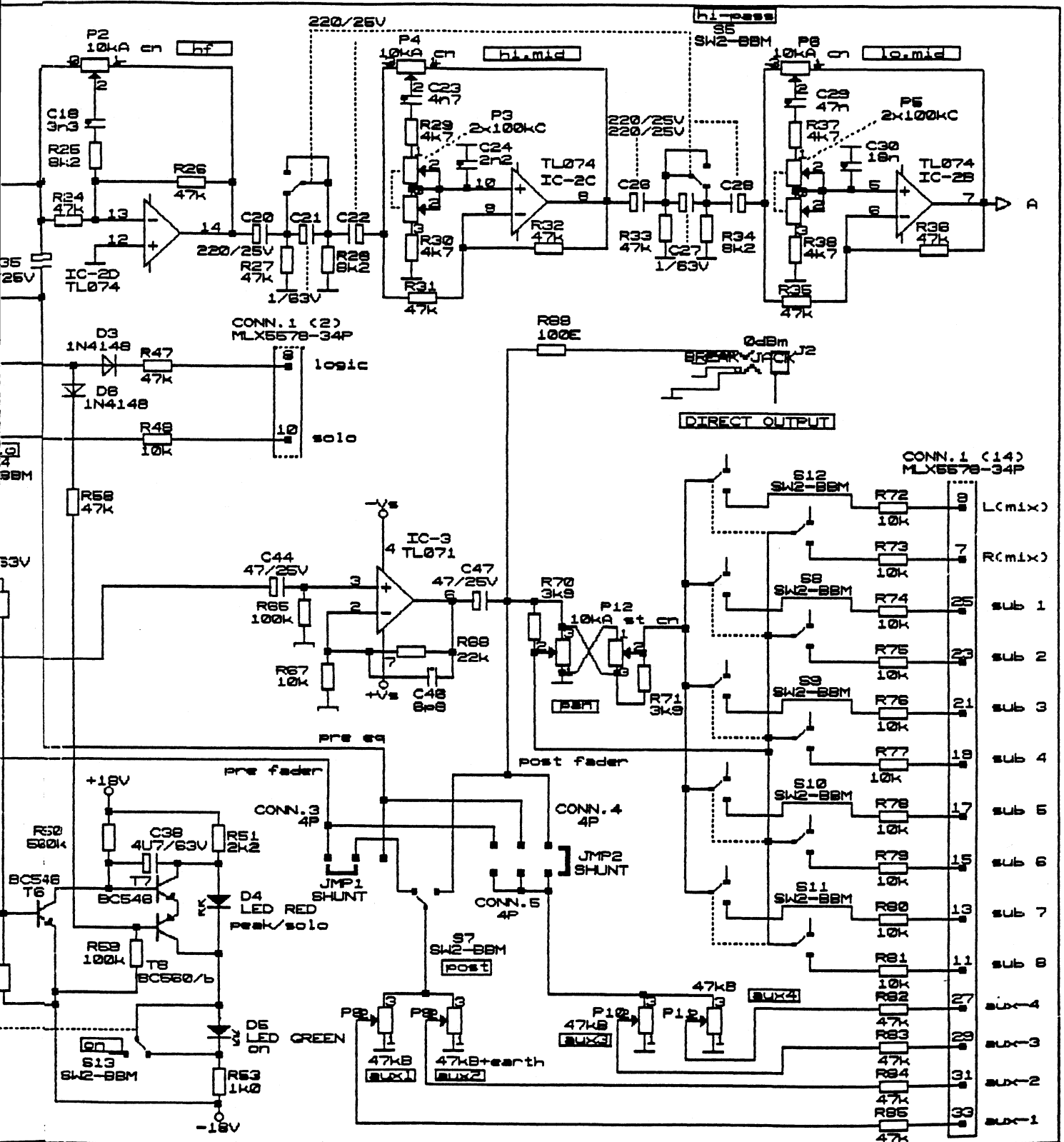


THIS DRAWING REPLACES PREVIOUS ONES				STYLIX-30 sub module	
INDEX				Size	Document Number
REV. BY	J. de Vries			B	STYLIX-30 sub module part B
DATE	25-11-1985			Date:	December 2, 1985 Sheet 2 of 2
DESIGN	D. de Rijk				
DRAWN	P. Wlicke				

STYLIX 30/4



Stylyx 10 / 1



THIS DRAWING REPLACES PREVIOUS ONES			STYLIX-10 mono module	
INDEX			Size	Document Number
MODEL	D. de Rijk			
DATE	29-07-1988			
DESIGN	D. de Rijk			
DRAWN	R. Berghammer		Date: November 16, 1988	Sheet 1 of 1
REV				P

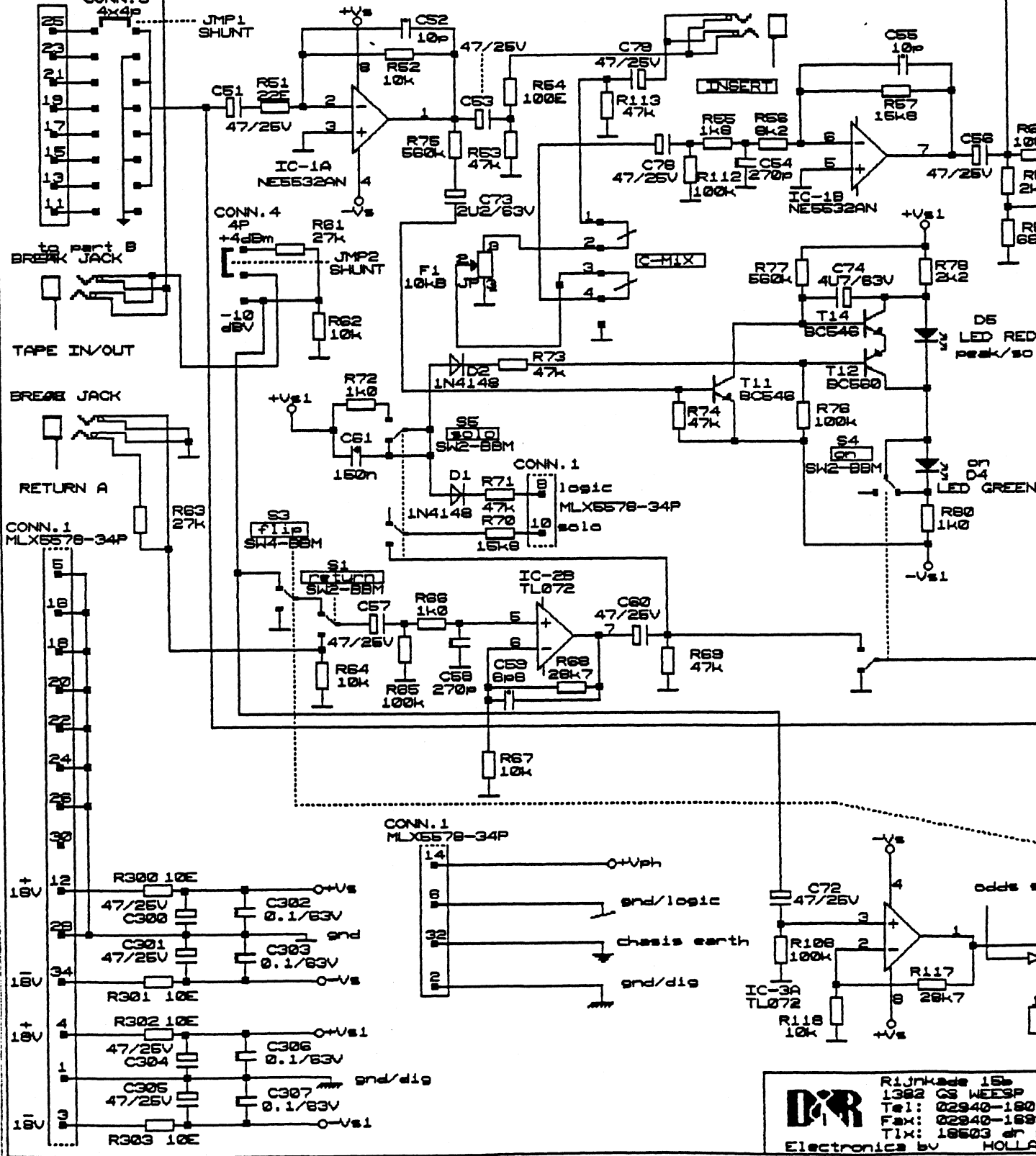
Stylux 10/2


BREAK JACK

CONN.1
MLX5578-34P

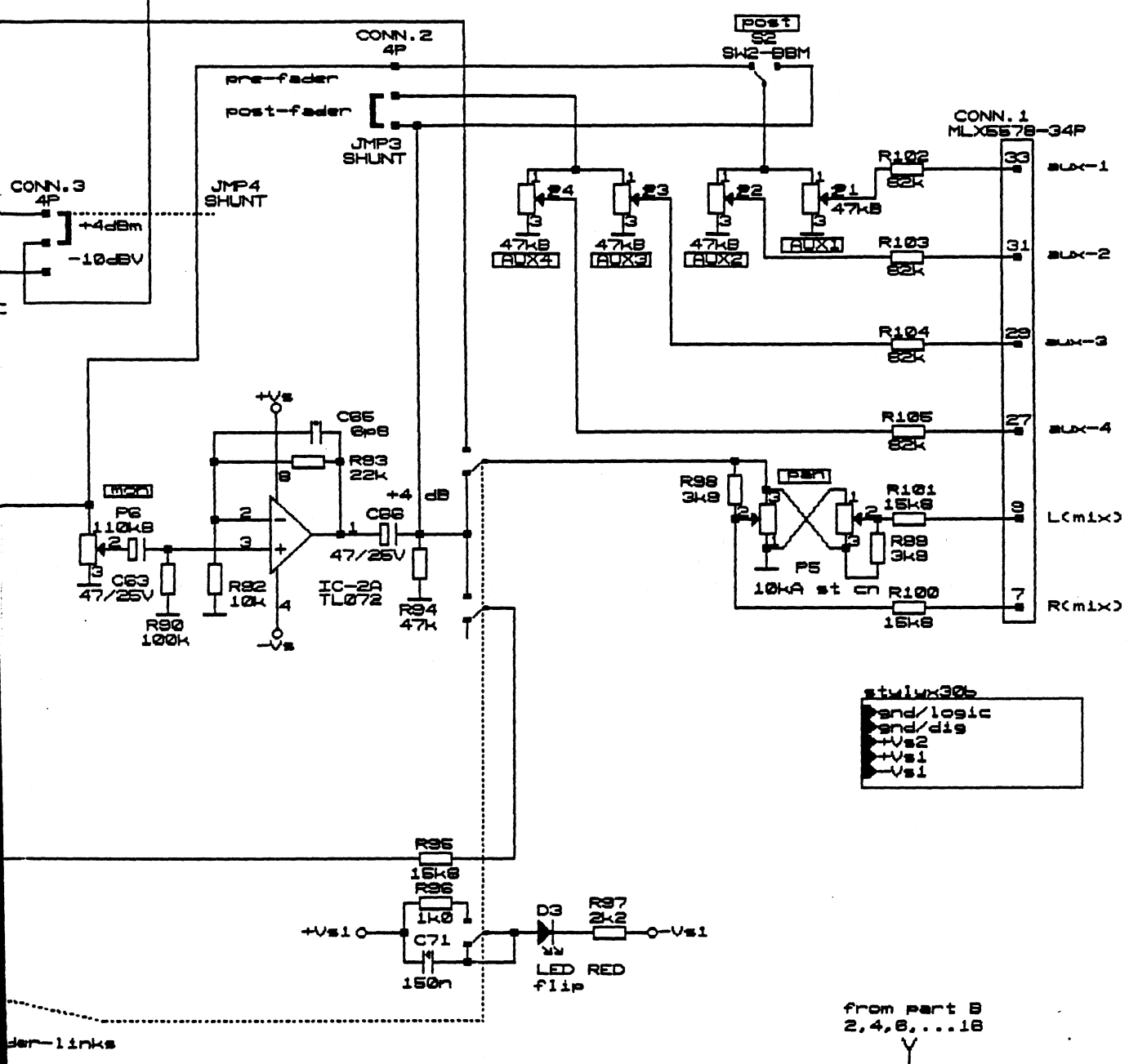
CONN.5
4x4P

J1

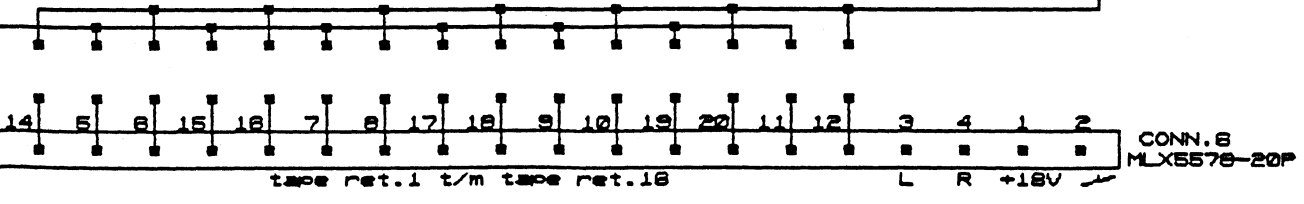



 Rijnkade 15b
 1382 CS WEESP
 Tel: 02940-1800
 Fax: 02940-1896
 Tlx: 19503 en r
 Electronics bv HOLLAND

Stylax 30/1

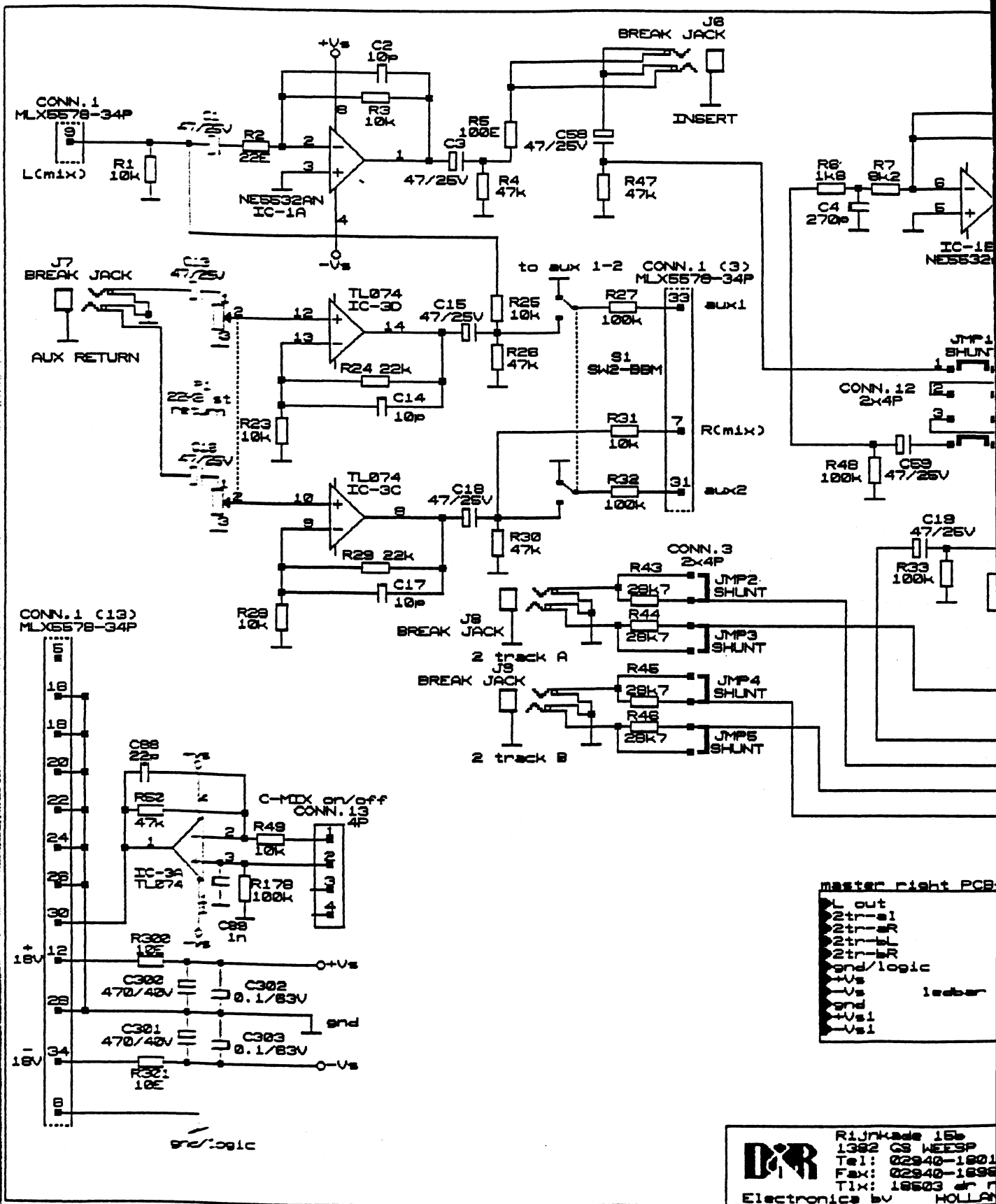


stylux30b
 and/logic
 and/dis
 +Vs2
 +Vs1
 -Vs1

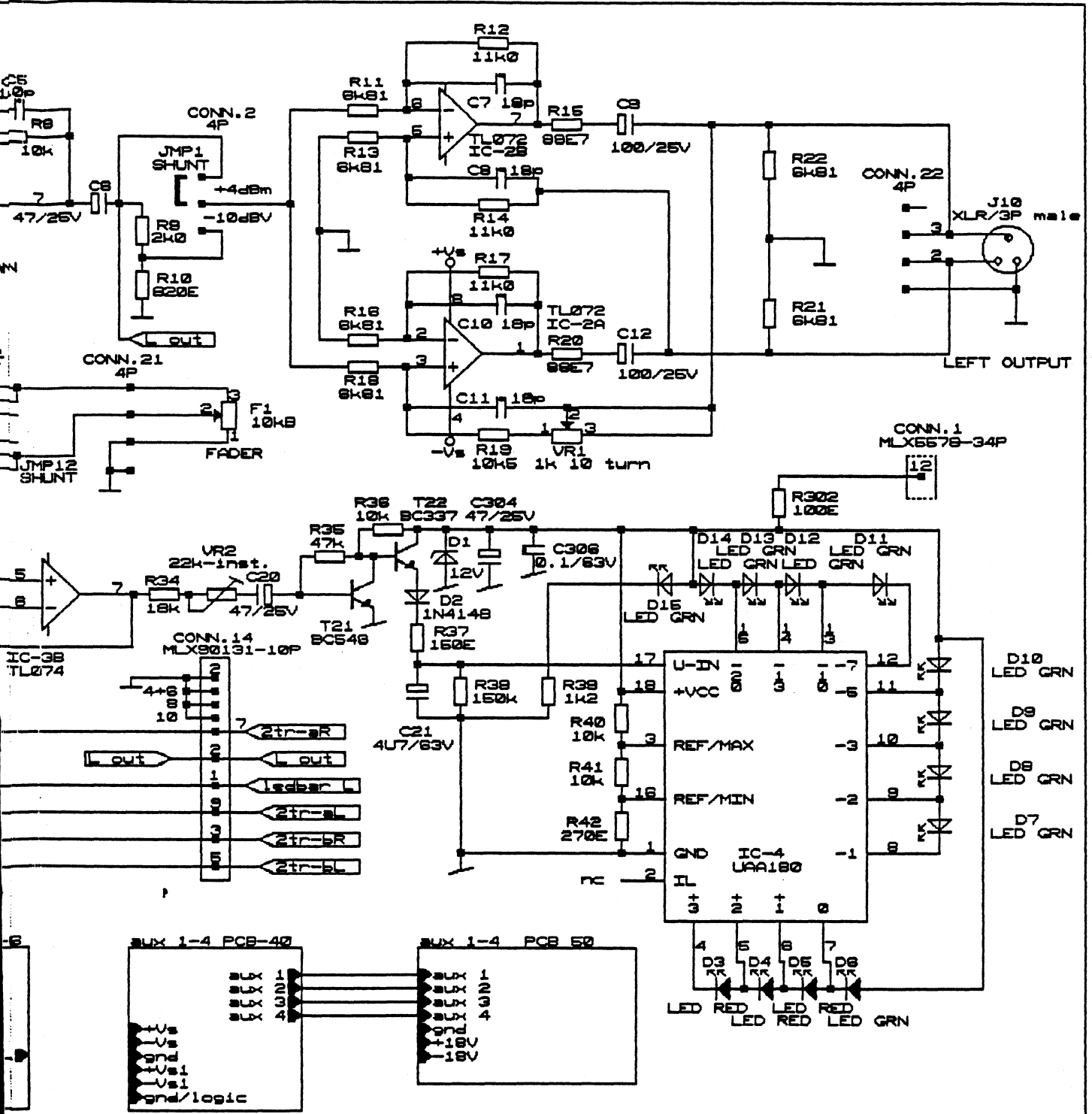


THIS DRAWING REPLACES PREVIOUS ONES				STYLIX-30 sub module		
INDEX				Size	Document Number	REV
MOD. BY	J. de Vries	J. de Vries	J. de Vries	B	STYLIX-30 sub module part A	a
DATE	15-08-1987			Date:	December 2, 1988	Sheet 1 of 2
DESIGN	D. de Kink					
DRAWN	P. Wicke					

Stylux 30/2



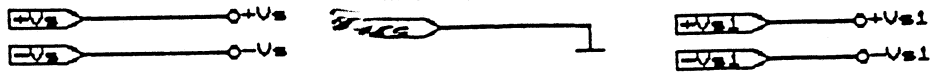
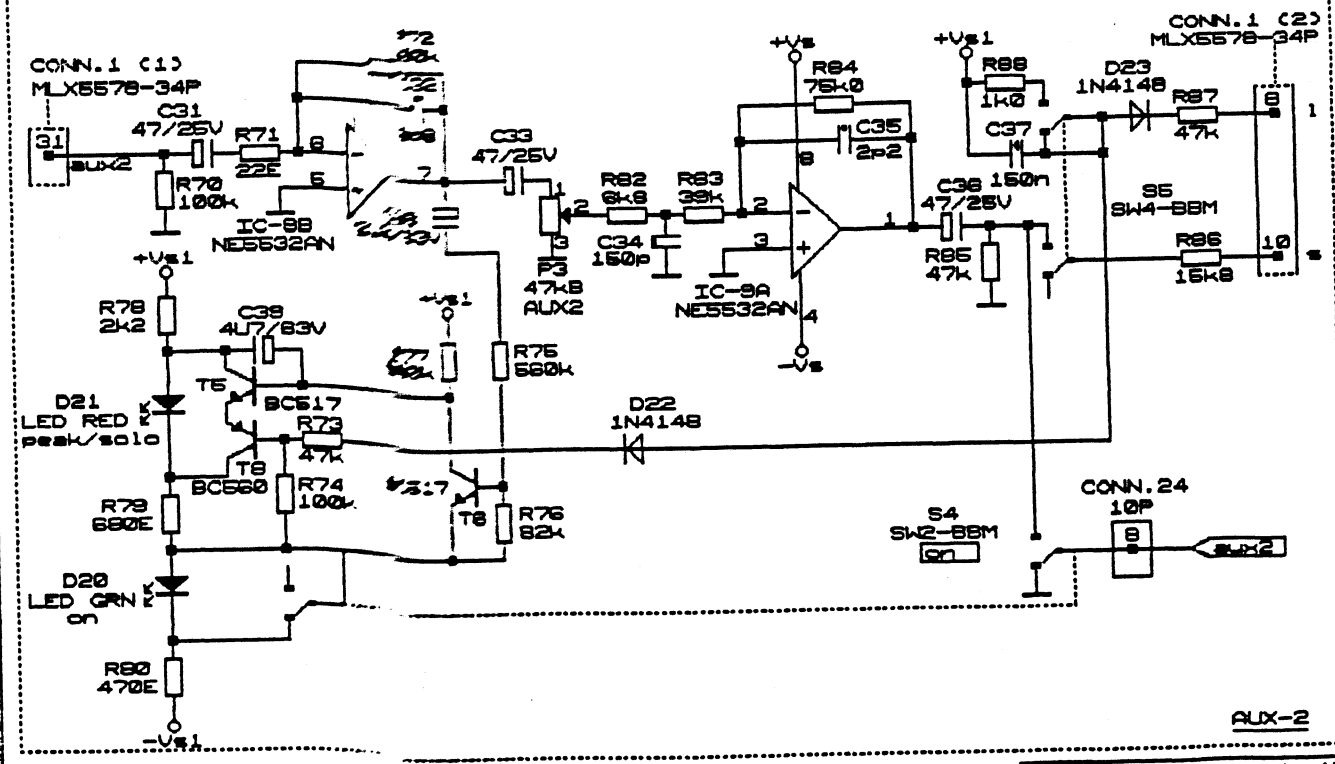
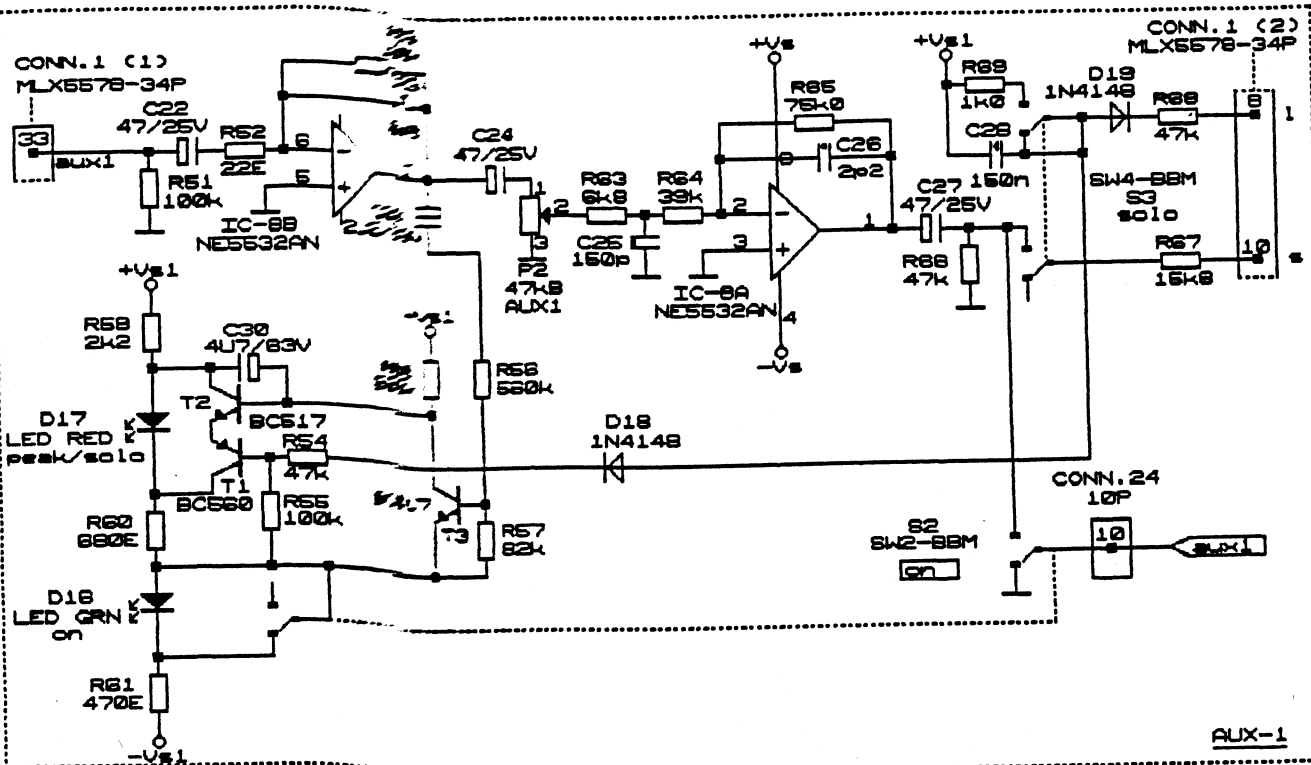
STYLUX 40/1



THIS DRAWING REPLACES PREVIOUS ONES

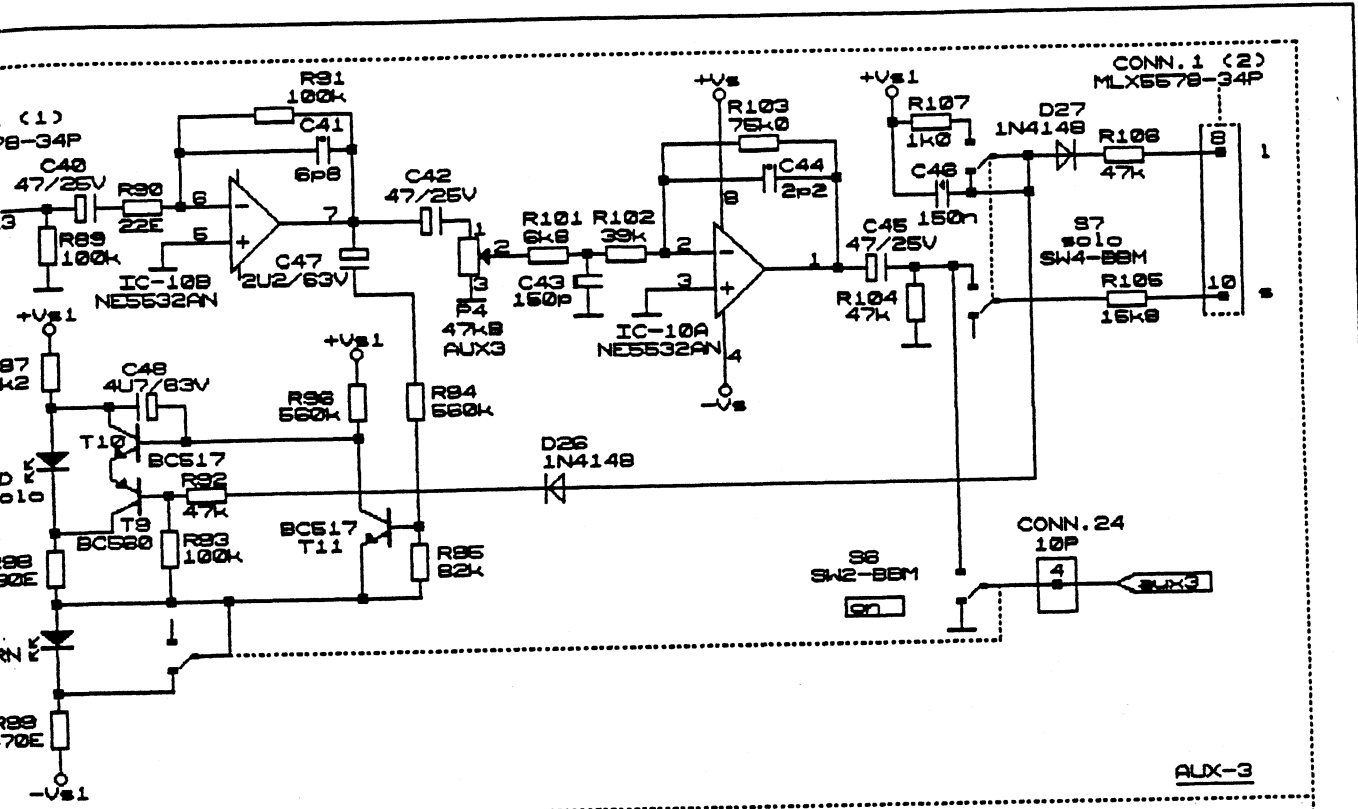
INDEX				STYLYX master module PCB 40, 50, 60	
DESIGNED BY	J. & V. Vries			Size Document Number	REV
DATE	16-01-1989			B	a
DESIGN	D. & R. J. K.			STYLYX-40 master left	
DRAWN	P. Wilke			Date: January 16, 1989 Sheet 1 of 5	

STYLYX 40/2

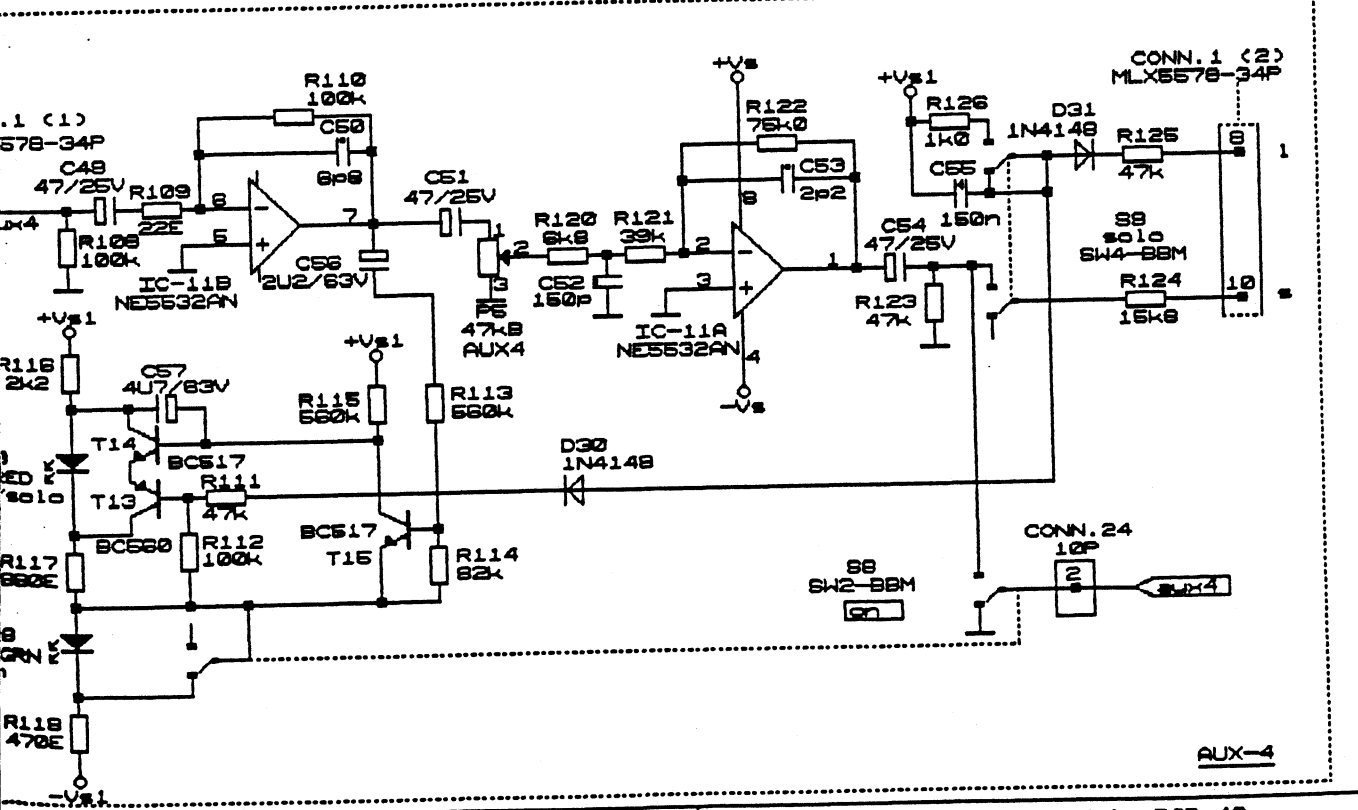


D&R
 Rijnkade 15b
 1382 GS WEESP
 Tel: 02940-18014
 Fax: 02940-18887
 Tlx: 18503 or nl
 Electronics bv HOLLAND

Stylux 40/3



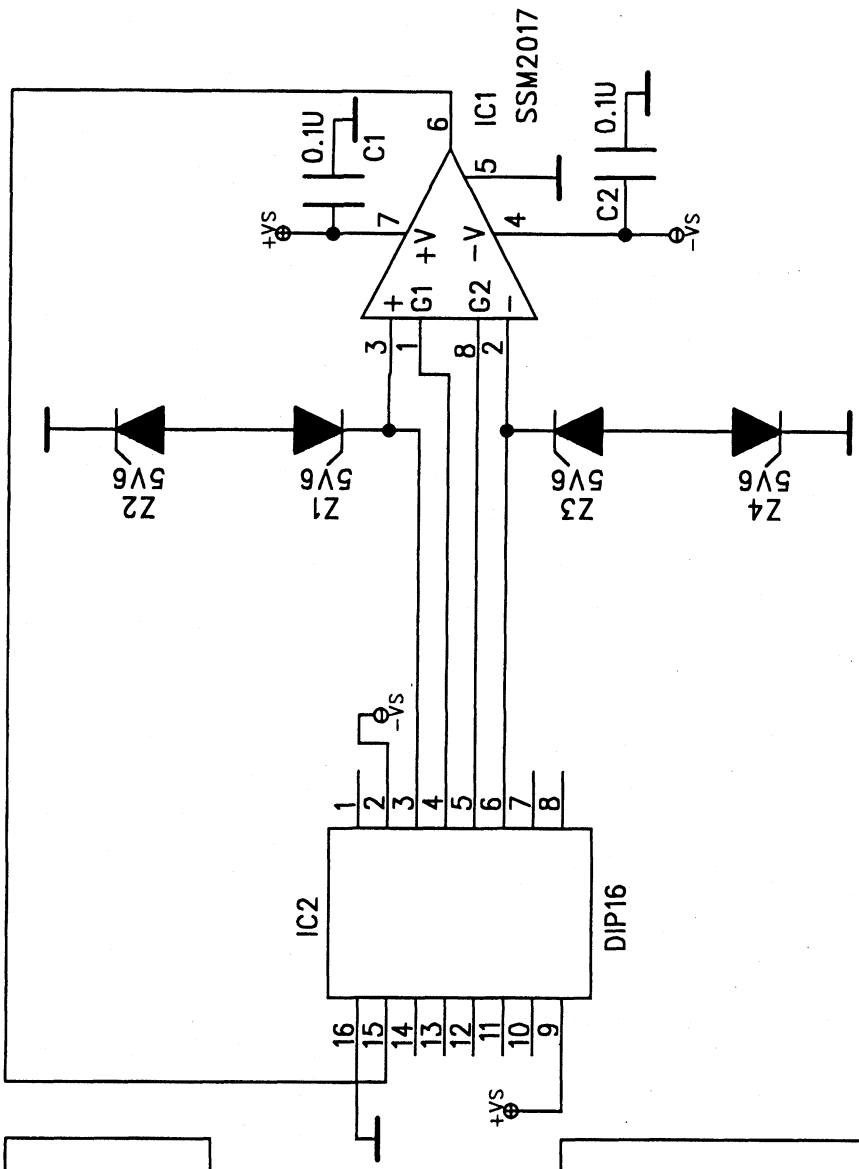
AUX-3



AUX-4

THIS DRAWING REPLACES PREVIOUS ONES			STYLYX master module PCB 40		
INDEX	DATE	DESIGN	Size	Document Number	REV
	12-01-1989	D. de Risk	B	STYLYX-40 aux 1 to 4	A
DRAWN	P. HILCKE		Date:	January 20, 1989	Sheet 2 of 5

Stylyx uo/4



Avalon
 Remove : R217, R218, R175, R176
 Short: C79

FOR STYLIX CHANNEL
 REMOVE R8,R9,R15,R20
 SHORT C61
 FOR MARILON 1 CHANNEL
 REMOVE R34,R35,R36,R37
 SHORT C3

Project:

SSM

Title:

2016->2017

Rev:

P

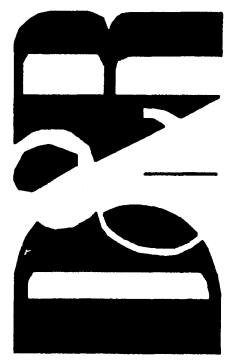
Date: **21-10-1996**

Sheet: **1** of **1**

Design:

Peter Wilcke

Rijnkade 15b
 1382 GS Weesp
 The Netherlands
 phone: 0294-418014
 fax: 0294-416987



D&R Electronica B.V.