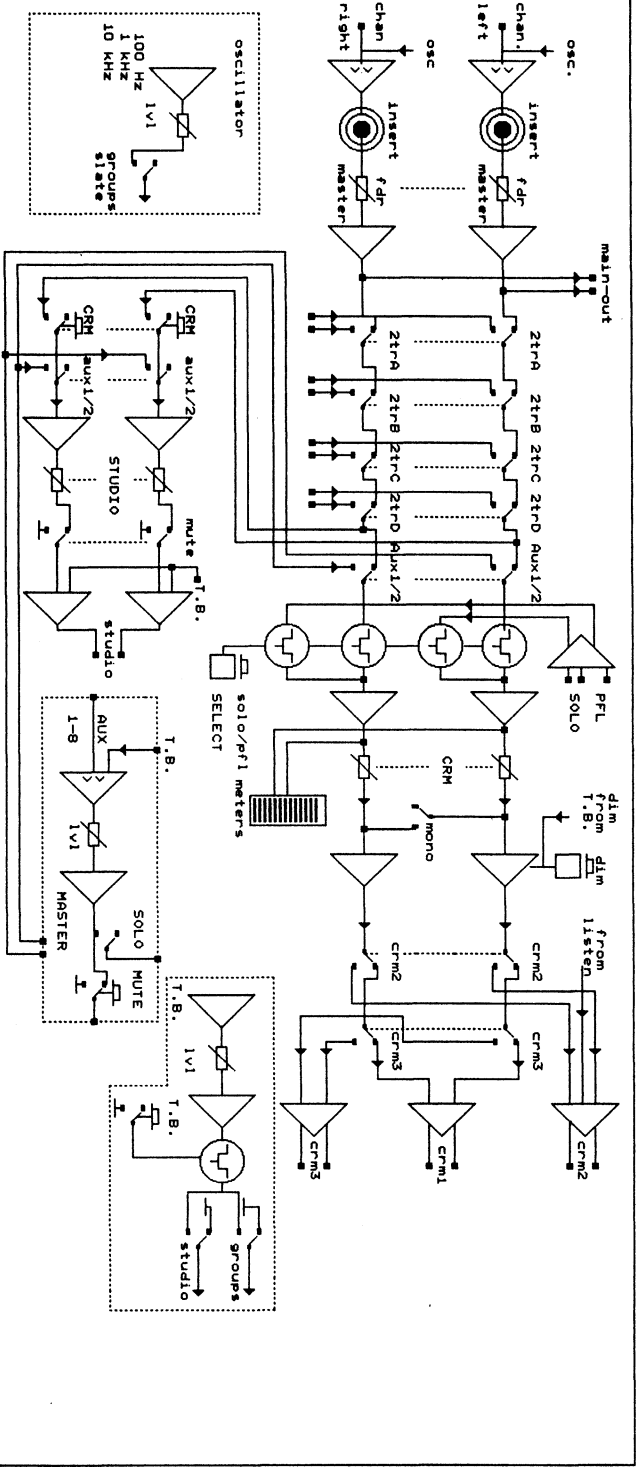
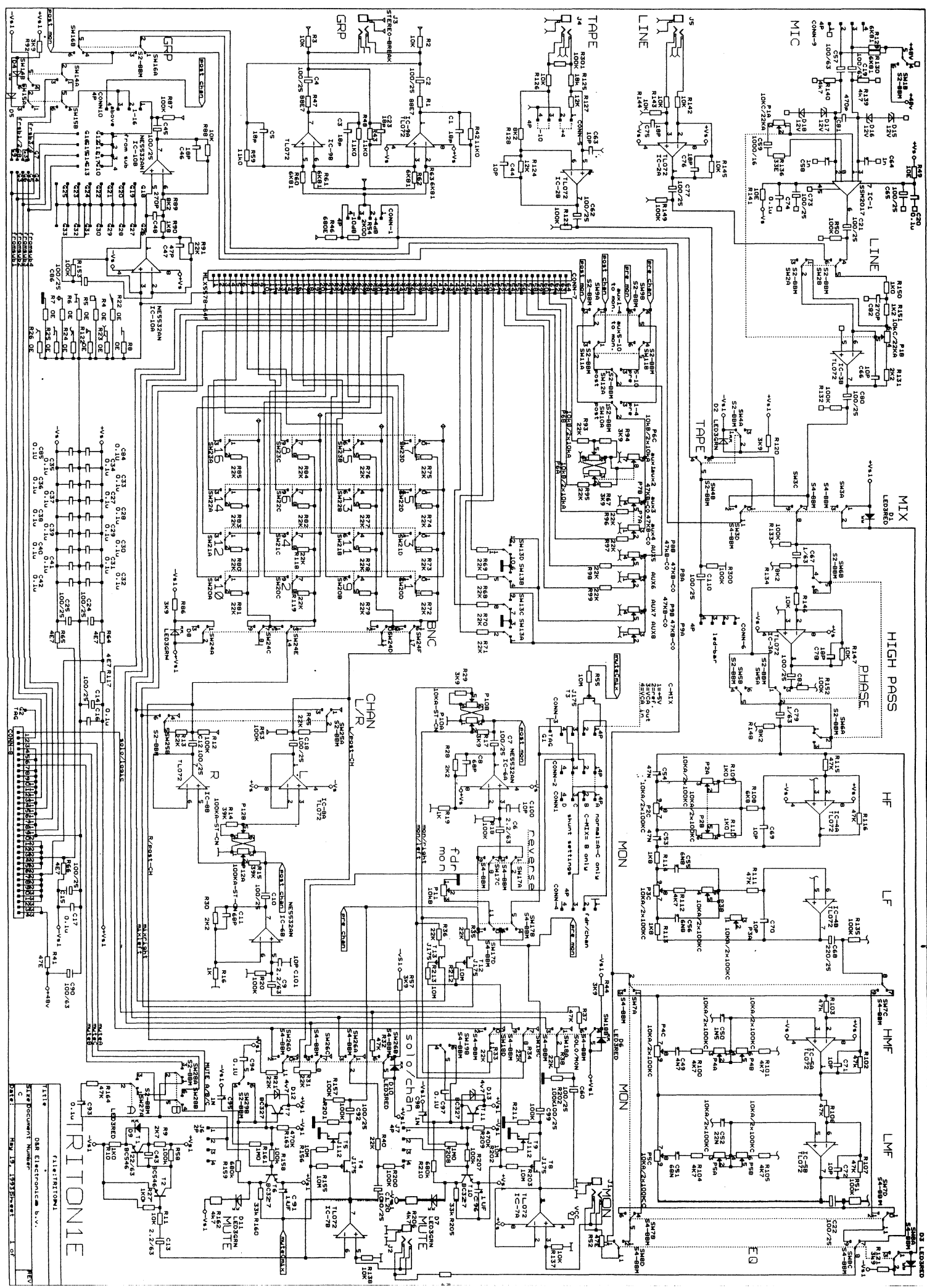


FILE:TRIBLOK	
Title	TRITON SERIES IN-LINE CHANNEL
Size	Document Number
A	1
Date	January 17, 1991 Sheet
	of 1

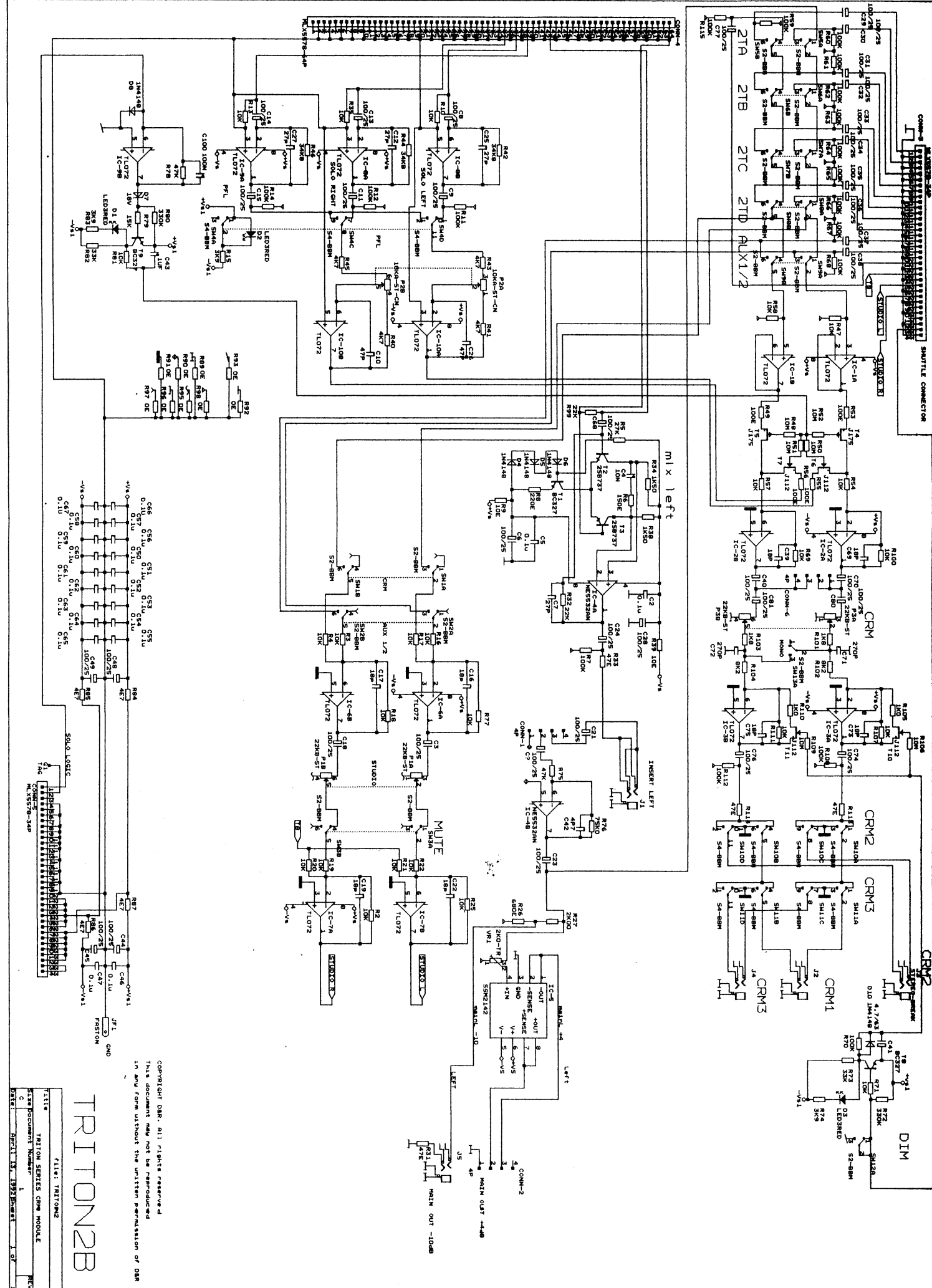


FILE:TRIMSTR	
Title	TRITON MASTER
Size Document Number	1
REV	1
Date:	January 17, 1991 Sheet 1 of 1



TRITONE

Title: D&R Electronics Co. Inc.
 File: TRITONE
 Rev: 10/73

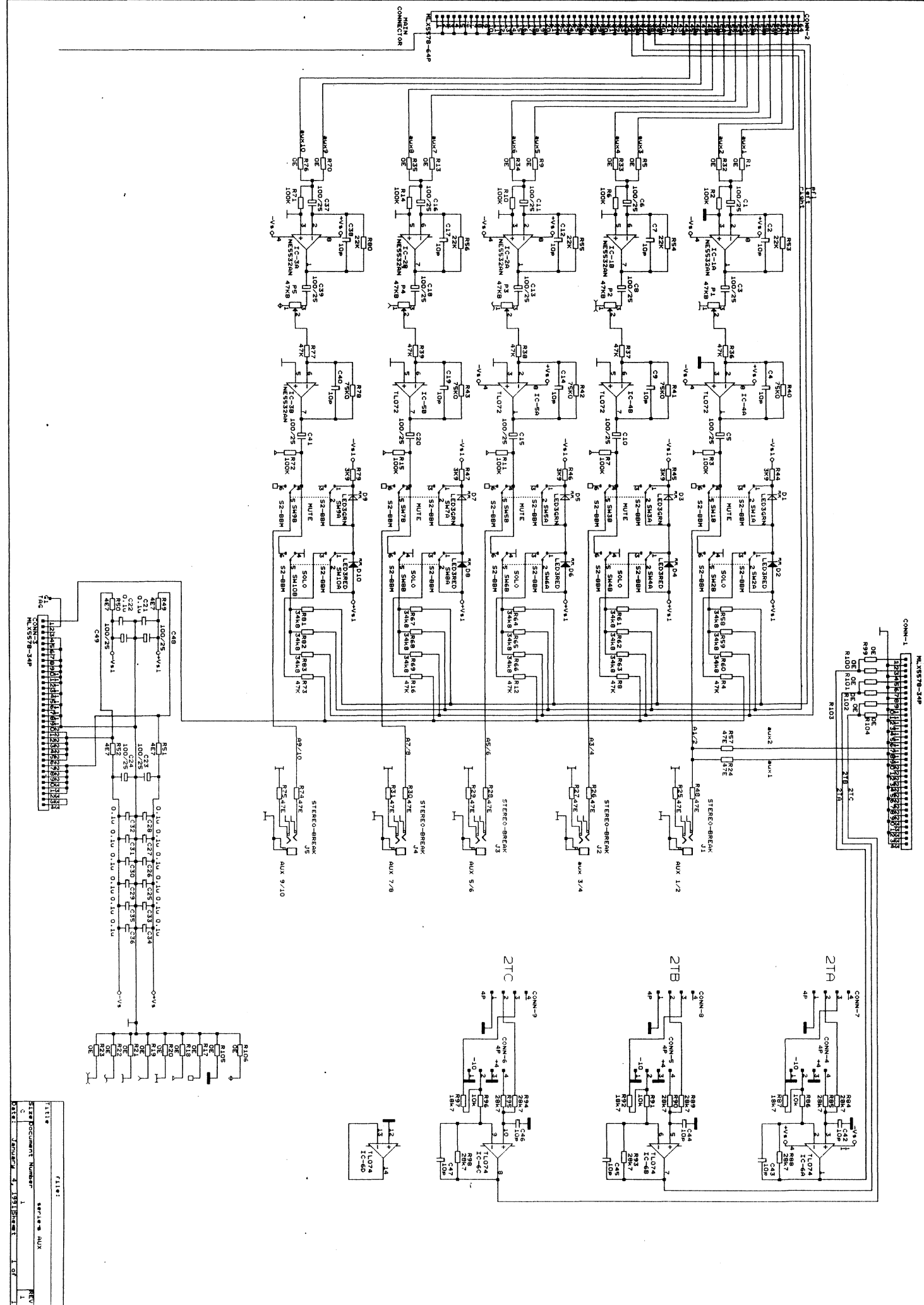


TRITON2B

COPYRIGHT D&R. All rights reserved.
 This document may not be reproduced
 in any form without the written permission of D&R

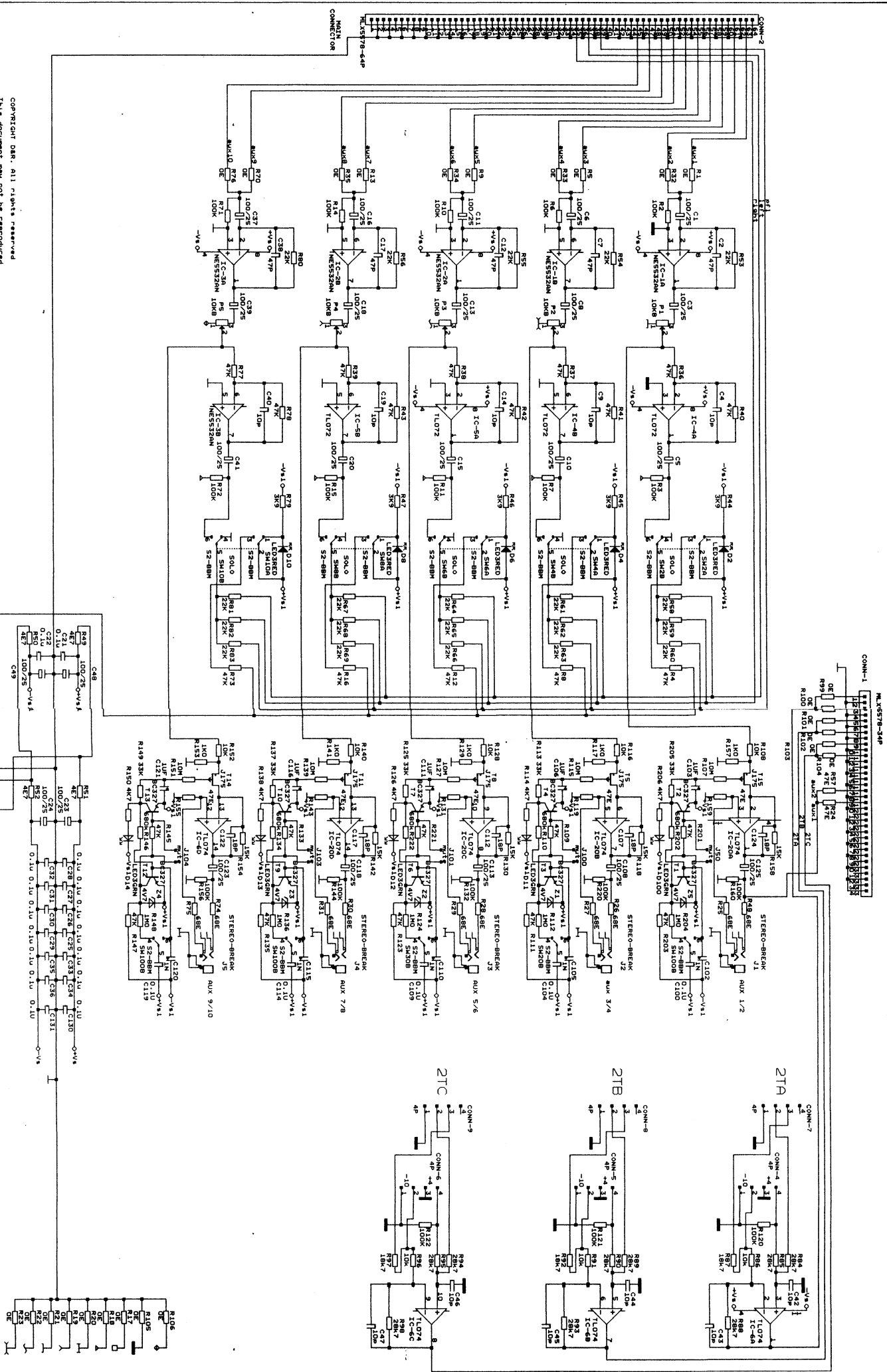
FILE:	TRITON2B
TITLE:	TRITON SERIES CRT MODULE
DATE:	REV 11 1972
REV:	1 OF 1

SHUTTLE CONNECTOR



FILE: SERIAL AUX
 SHEET DOCUMENT NUMBER 1
 REV 1
 DATE: JANUARY 4, 1971

SHUTTLE CONNECTOR

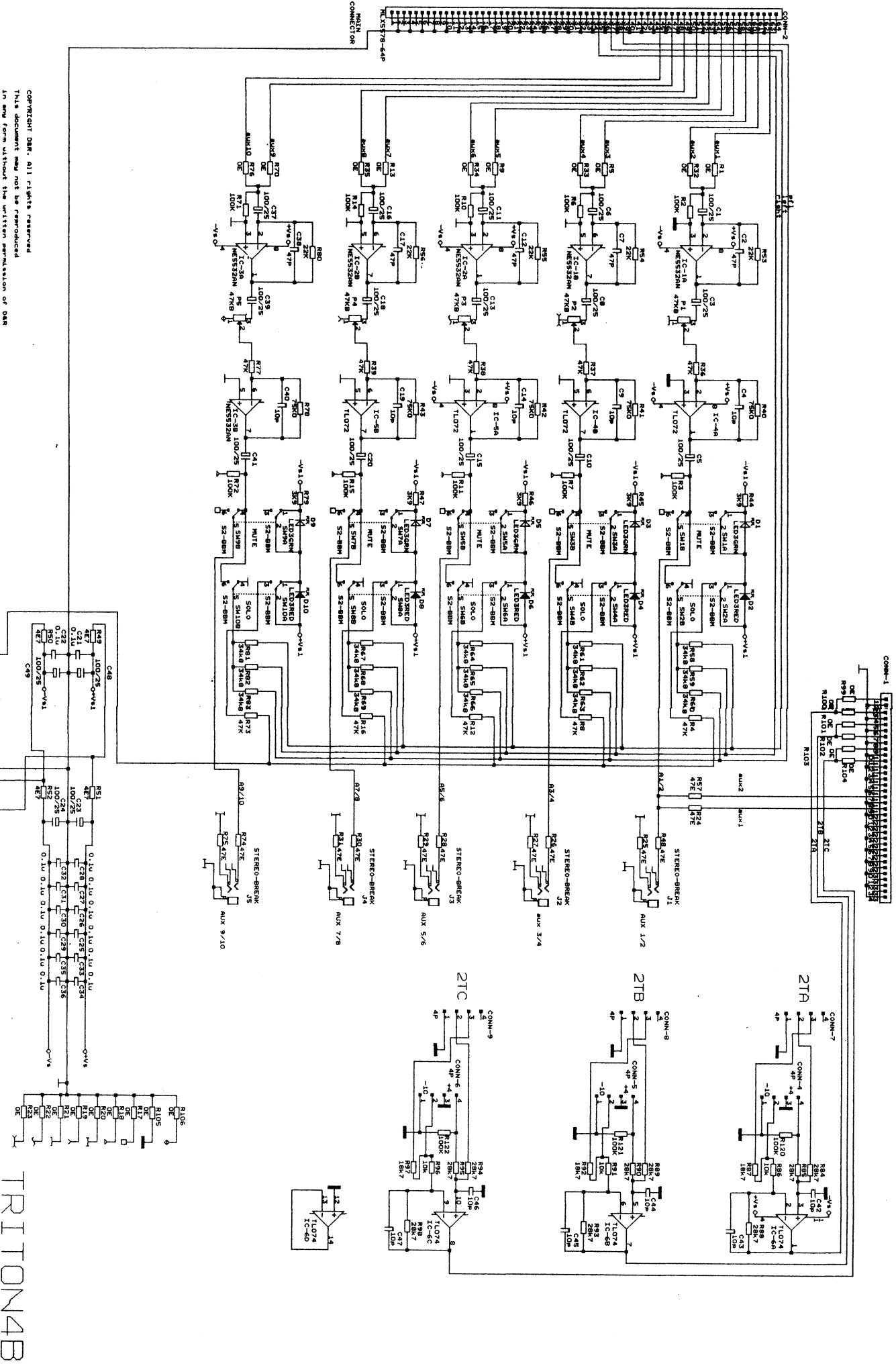


COPYRIGHT DSR. All rights reserved.
 This document may not be reproduced
 in any form without the written permission of DSR

TRITON4M

FILE#	FILE# TRITON4M
TRITON SERIES AUX	
SIZE	
DOCUMENT NUMBER	1
DATE	MAY 23 1993
REV	3 OF
H	

SHUTTLE CONNECTOR

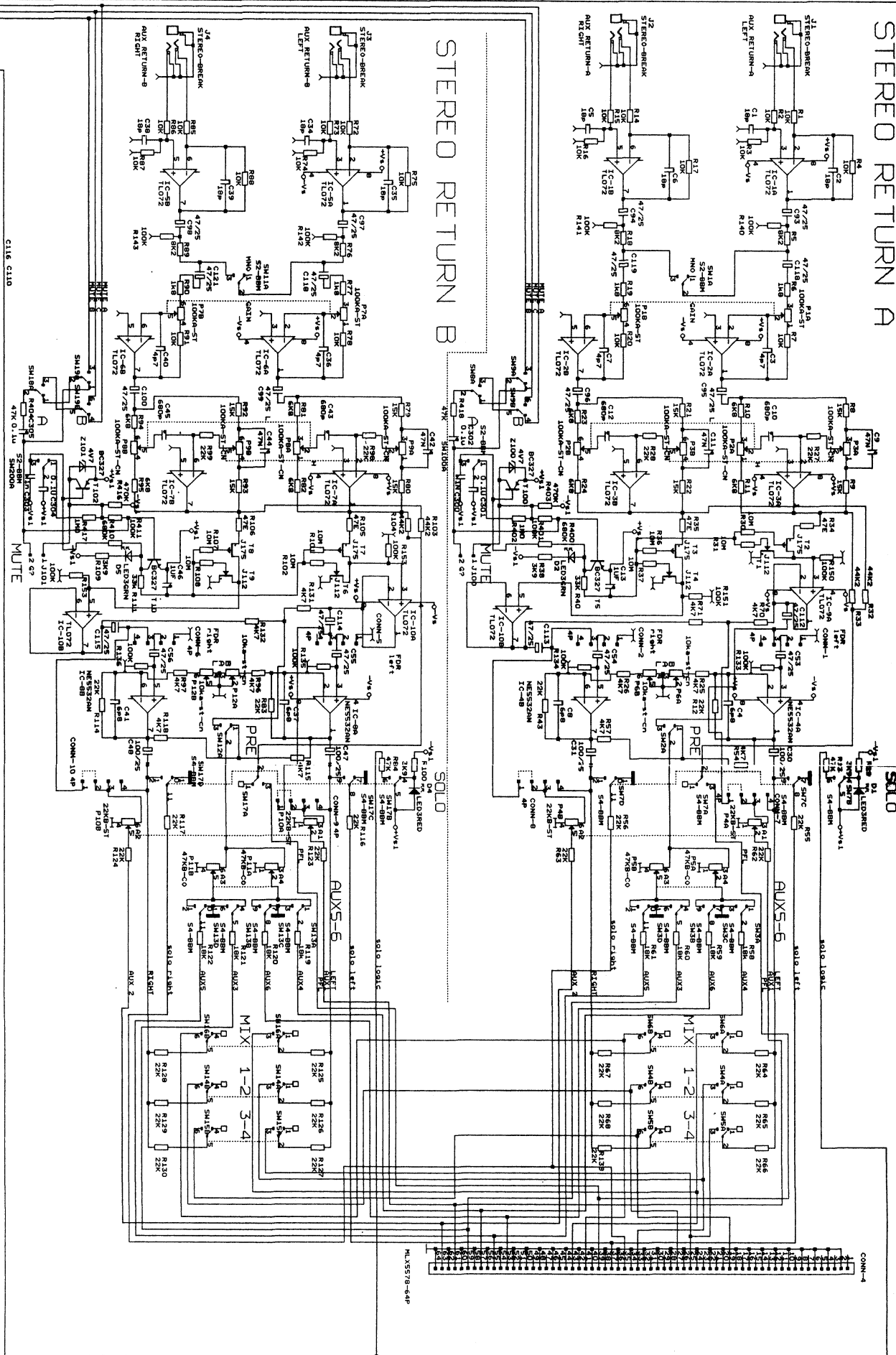


COPYRIGHT DSR. ALL RIGHTS RESERVED
 THIS DOCUMENT MAY NOT BE REPRODUCED
 IN ANY FORM WITHOUT THE WRITTEN PERMISSION OF DSR

TRITON48

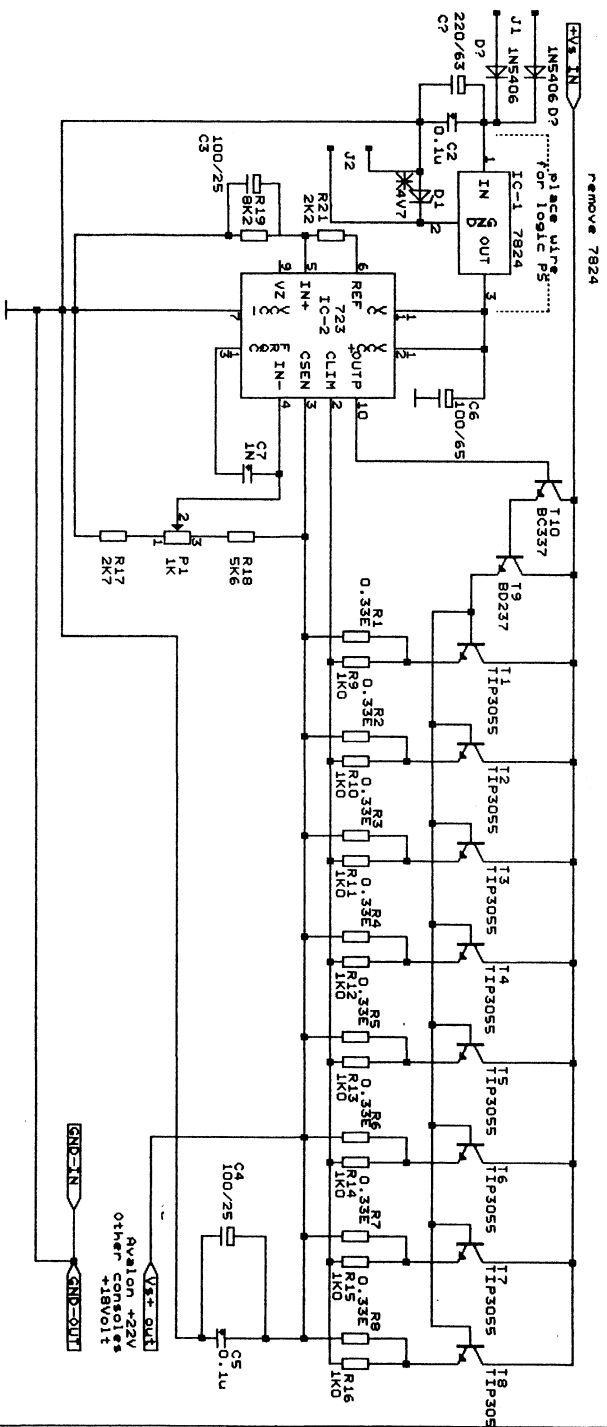
STEREO RETURN A

STEREO RETURN B

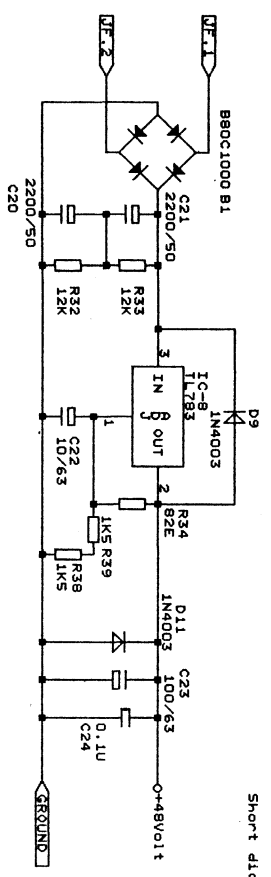


TRITON 6

FILE:TRITON6M
SIZ: 800000
REV: 1
DATE: 1983-08-01

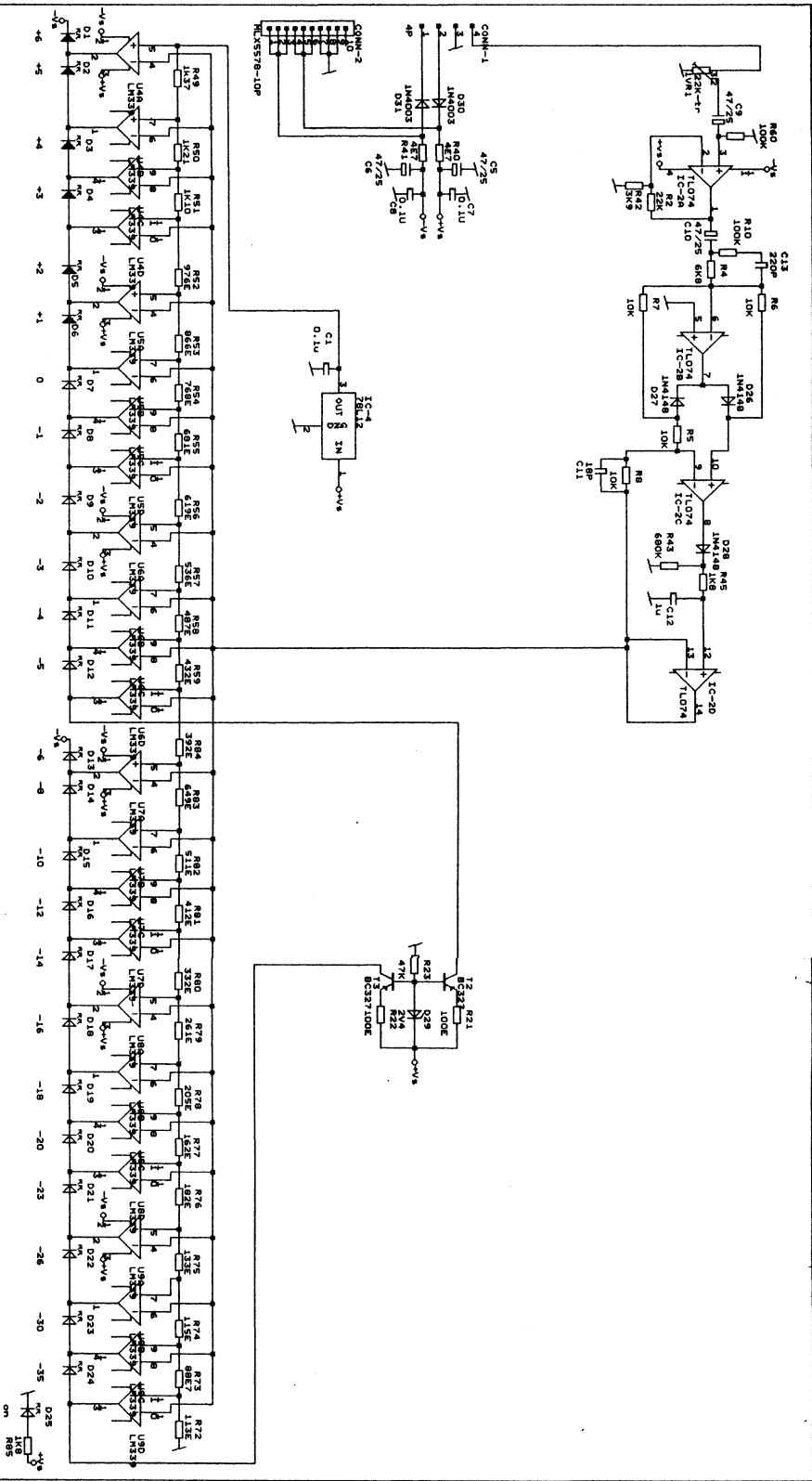


NEGATIVE SUPPLY IDENTICAL TO POSITIVE SUPPLY



Short diode for Marllion/Triton/Oxlon/Axlon/Airted consoles

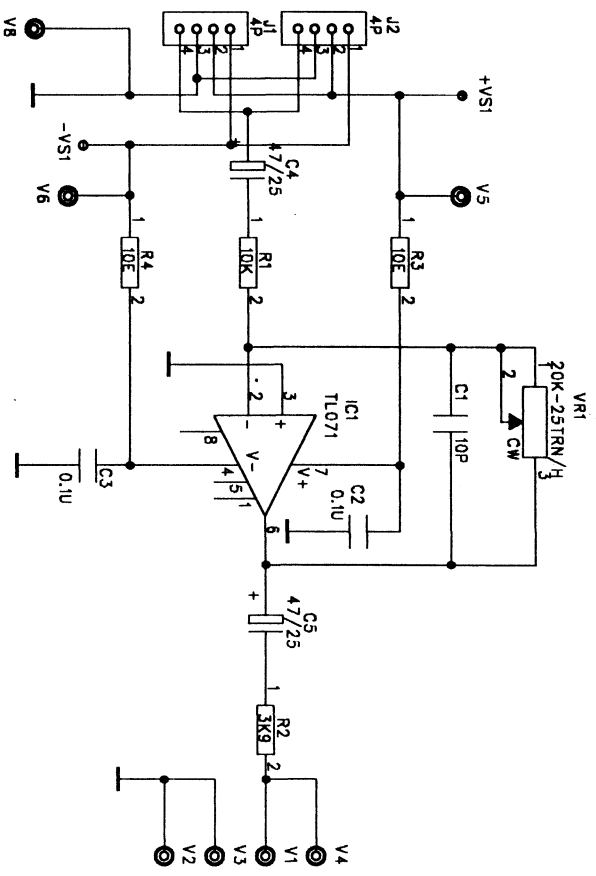
File:	Power
Title:	D&R Electronics b.v.
Size:	Power Supply regulator boards
Document Number:	REV
Date:	November 27, 1993
Sheet:	1 of 1



AVALON/TRITON/STYLIX studio 1 edbar

HR25

TITEL	HR25
OPDRACHTER	DEK Electronics b.v.
OPDRACHTER Nummer	
OPDRACHTER Datum	1991
OPDRACHTER Locatie	1 of 1
OPDRACHTER Status	REV 1



D&R
 Riinkode 15b
 1382 CS Weesp
 The Netherlands
 phone: 02940-18014
 fax: 02940-16987
 D&R Electronica B.V.

Title: VU driver/o		Rev: 0
Date: 03-11-1992	Sheet 1 of 1	