



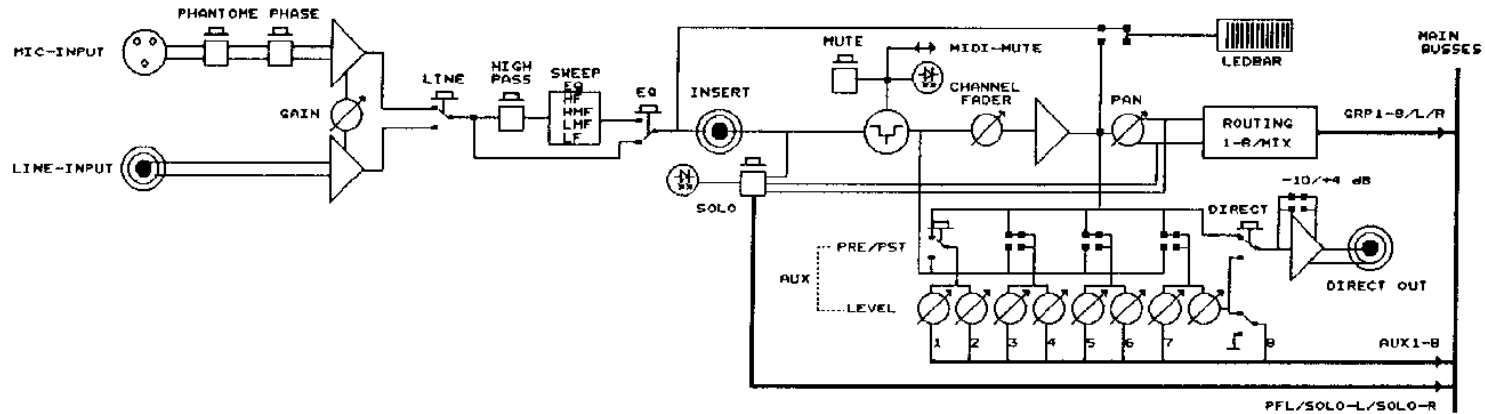
# VISION

## SERVICE MANUAL

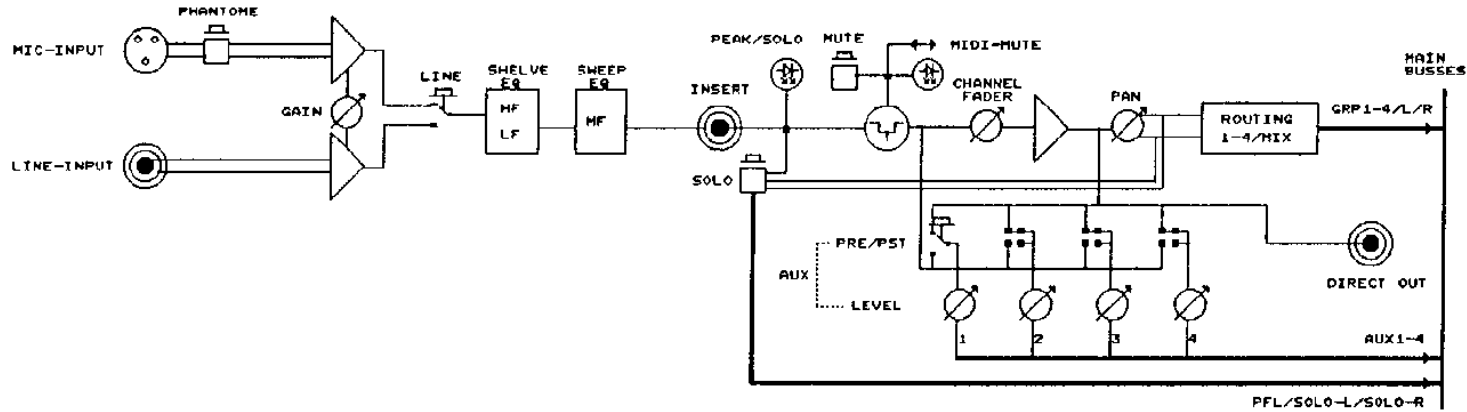
## Circuit diagram list

<b>Description</b>	<b>PCB name</b>	<b>Number of Sheets</b>
Block diagram Vision		8
Mono lux channel module	VISION1C	1
Mono standard channel module	VISION2P	1
Stereo lux channel module	VISION3D	1
Stereo standard module	VISION4P	1
Dual line module	VISION5A	2
Matrix module	VISION6A	1
Group module	VISION7A	1
Master standard	VISION8B	1
Master lux	VISION9P	1
Master ledbar	VISION70A	1
Outputs conn. PCB	VISION80C	1
Powersupply Vision > 19"	PS300A	1
Powersupply Vision 19"	AIRCOM9C	1

# VISION MONO-DELUXE MODULE

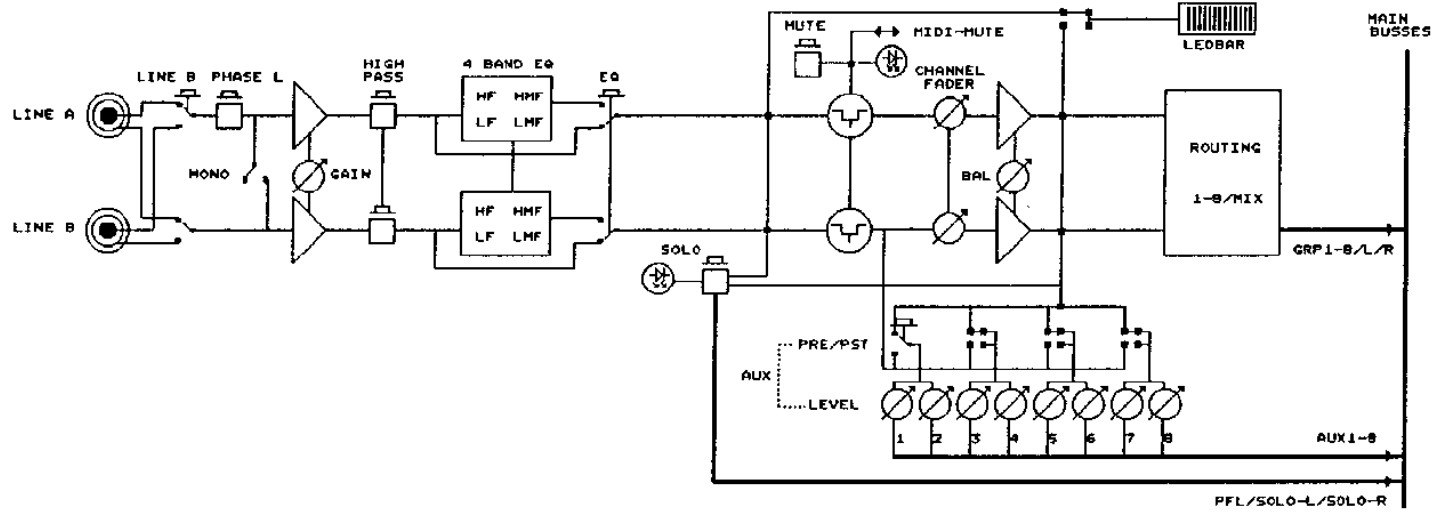


# VISION MONO-STANDARD MODULE

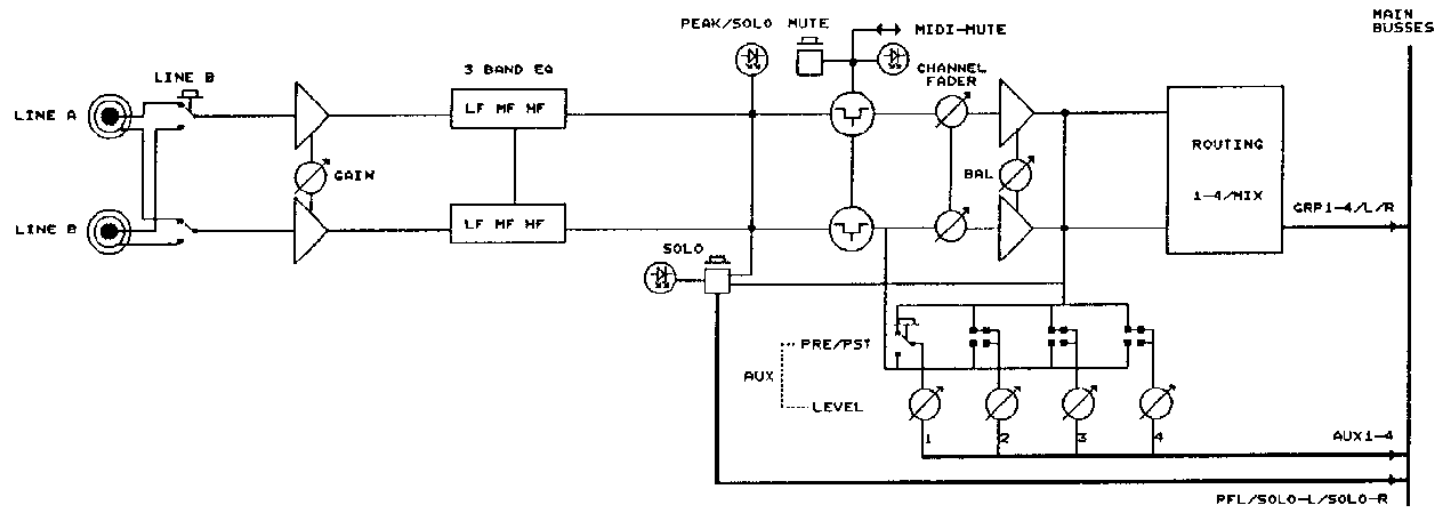


VISION 2 SIGNAL FLOW		
Size	Document Number	REV
B		A
Date:	June 2, 1994	Sheet 2 of 8

# VISION STEREO-DELUXE MODULE



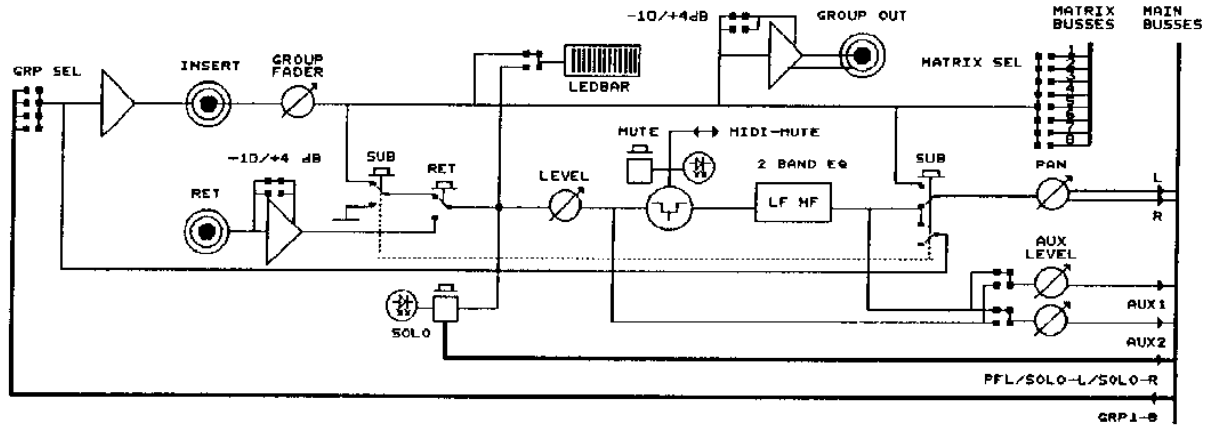
# VISION STEREO-STANDARD MODULE



VISION 4 SIGNAL FLOW		
Size	Document Number	REV
B		A
Date:	JUNE 2, 1994	Sheet 4 of 8

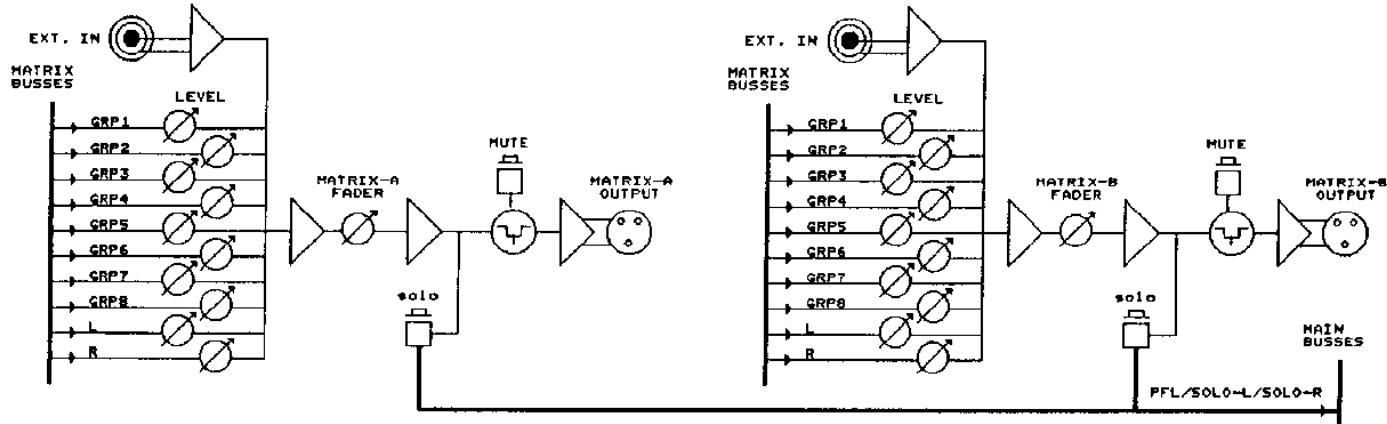
VISION DUAL GROUP MODULE

< DRAWING SHOWS 1 PART >



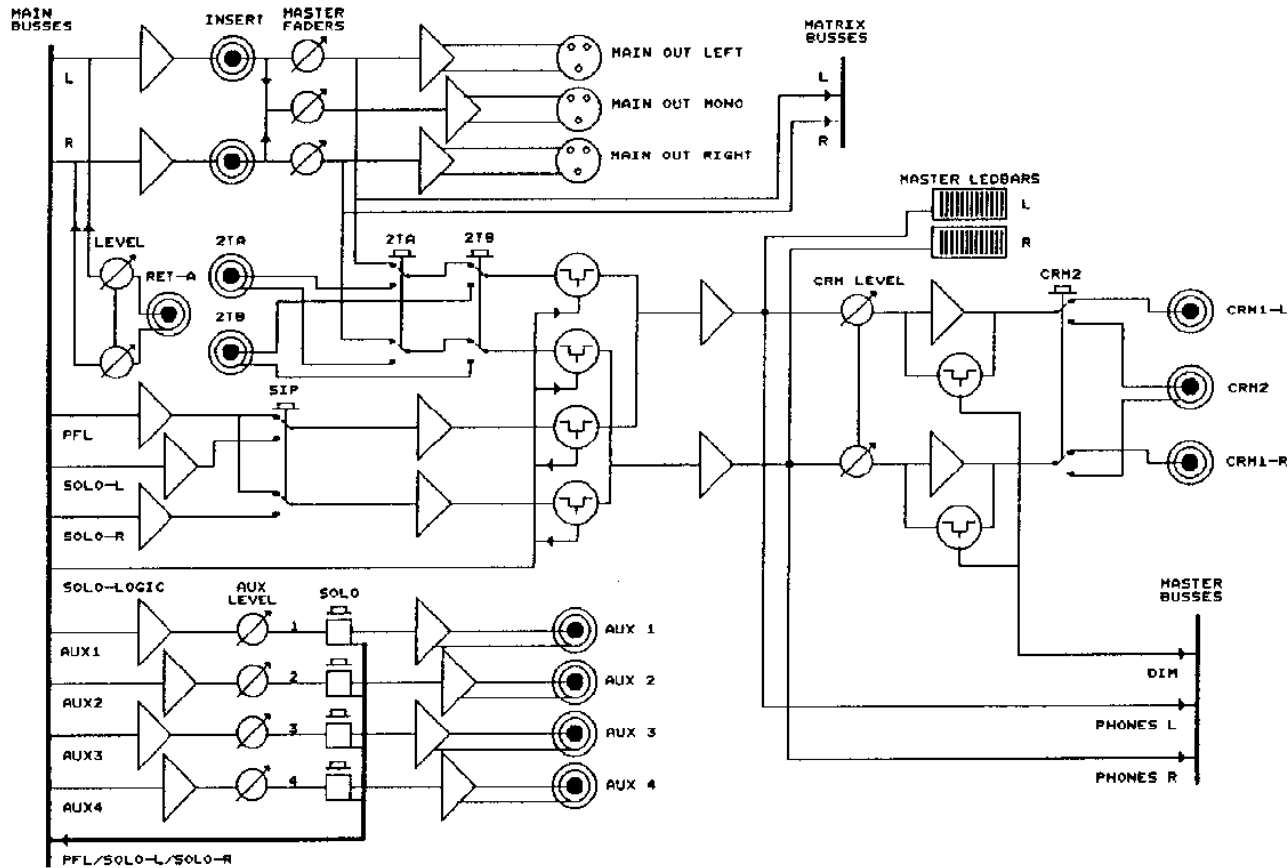
VISION 7 SIGNAL FLOW		
Size	Document Number	REV
B		A
Date:	June 2, 1994	Sheet 5 of 8

# VISION MATRIX MODULE

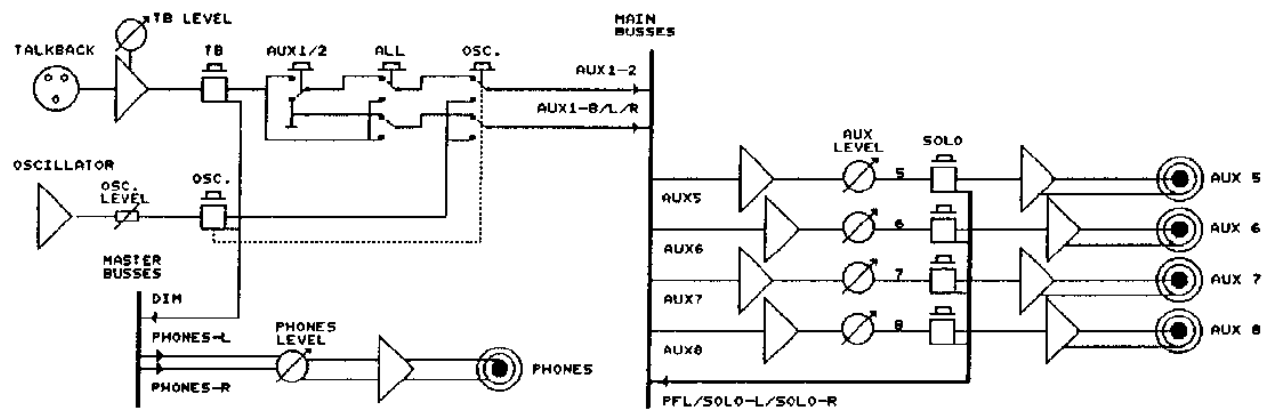


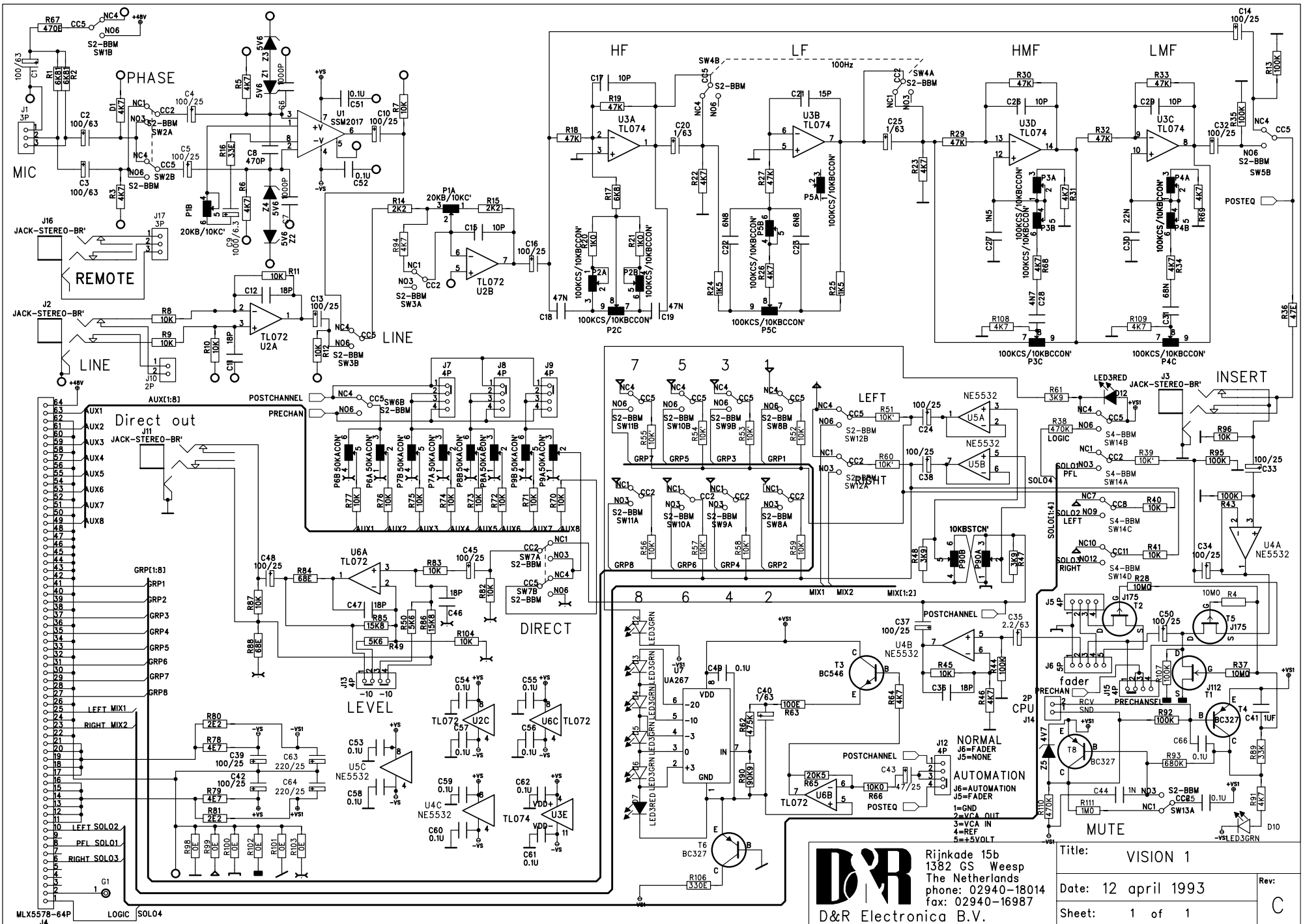


# VISION MASTER MODULE



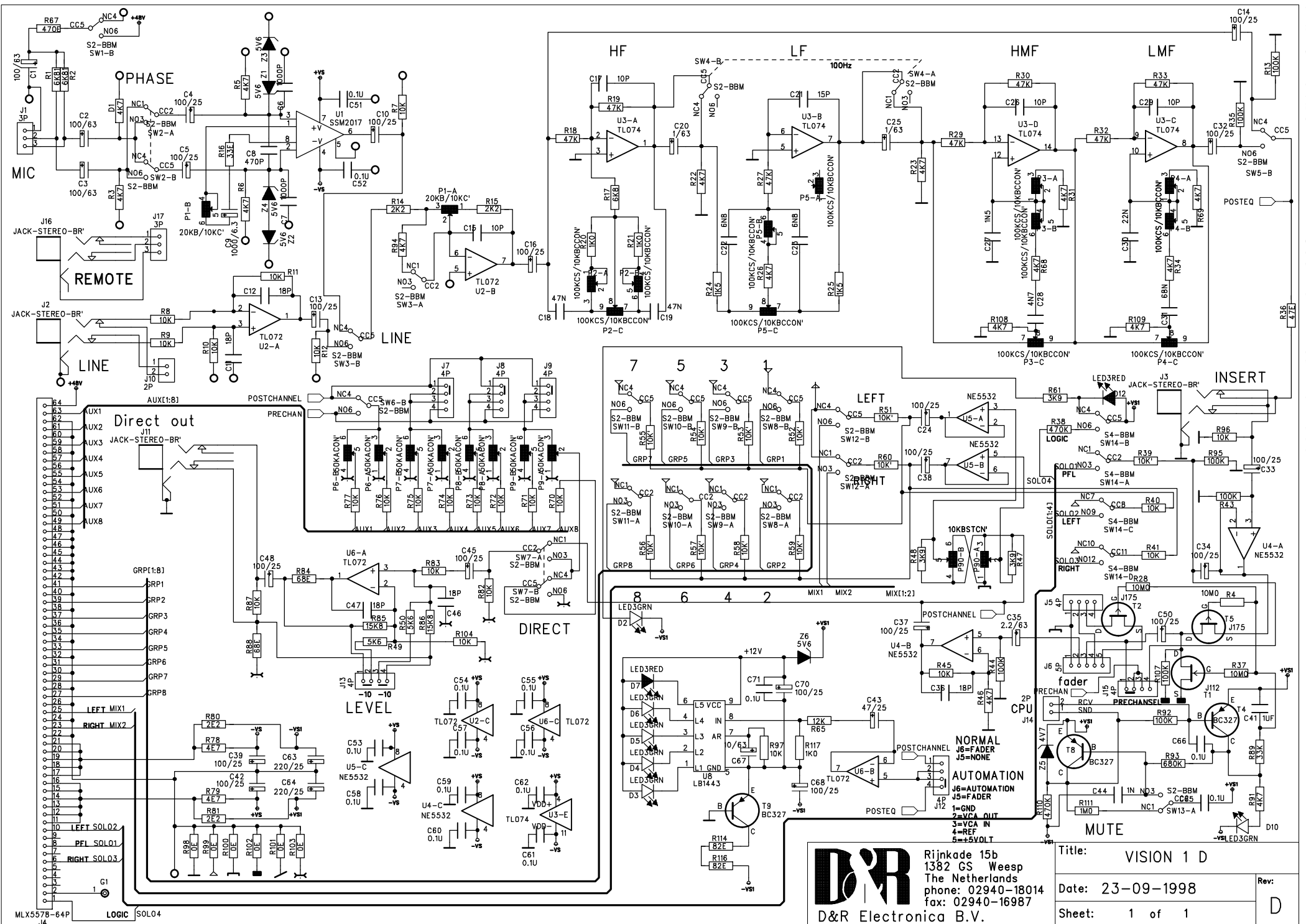
# VISION MASTER-DELUXE MODULE





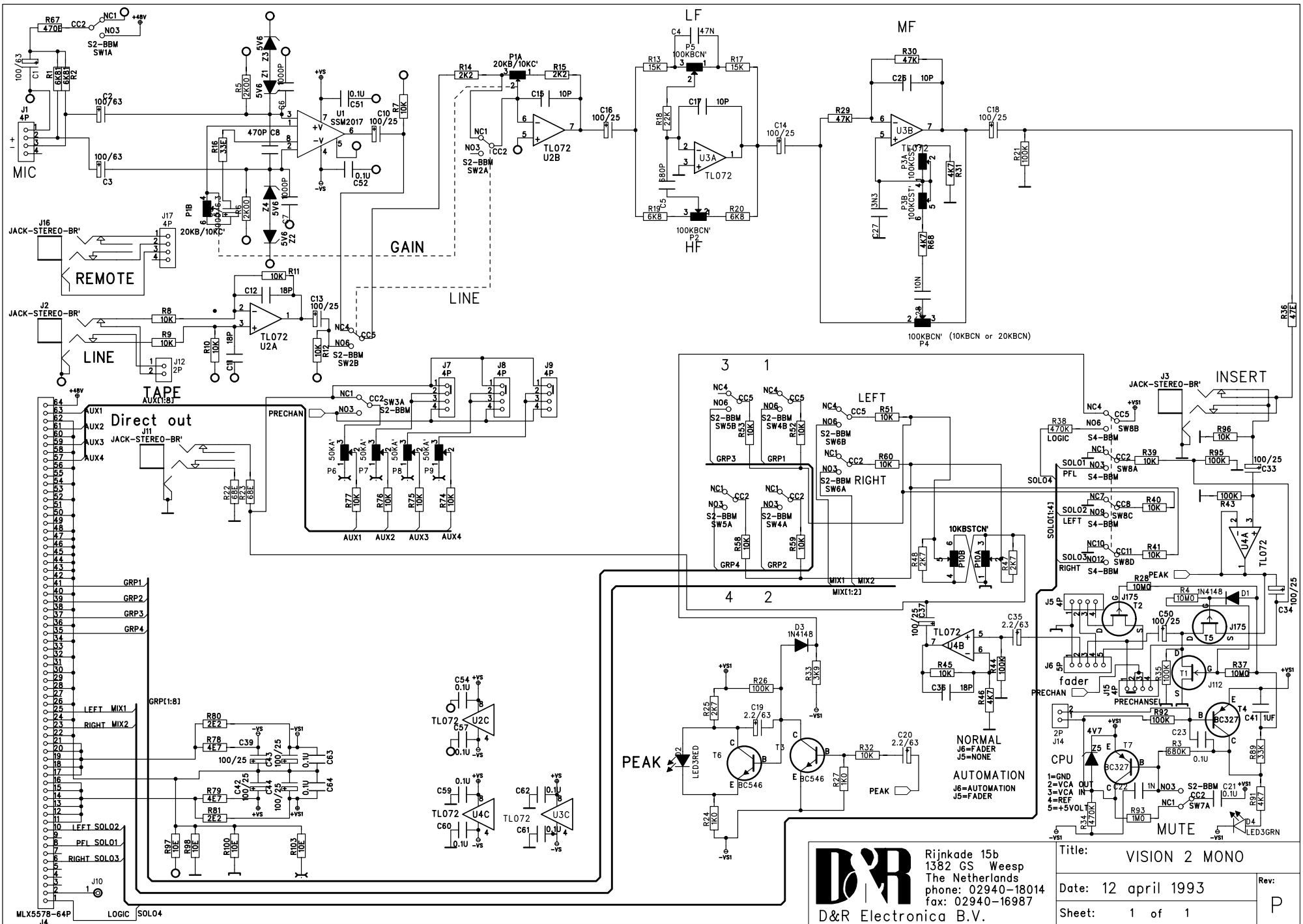

 Rijkade 15b  
 1382 GS Weesp  
 The Netherlands  
 phone: 02940-18014  
 fax: 02940-16987  
 D&R Electronica B.V.

Title: VISION 1  
 Date: 12 april 1993  
 Sheet: 1 of 1  
 Rev: C



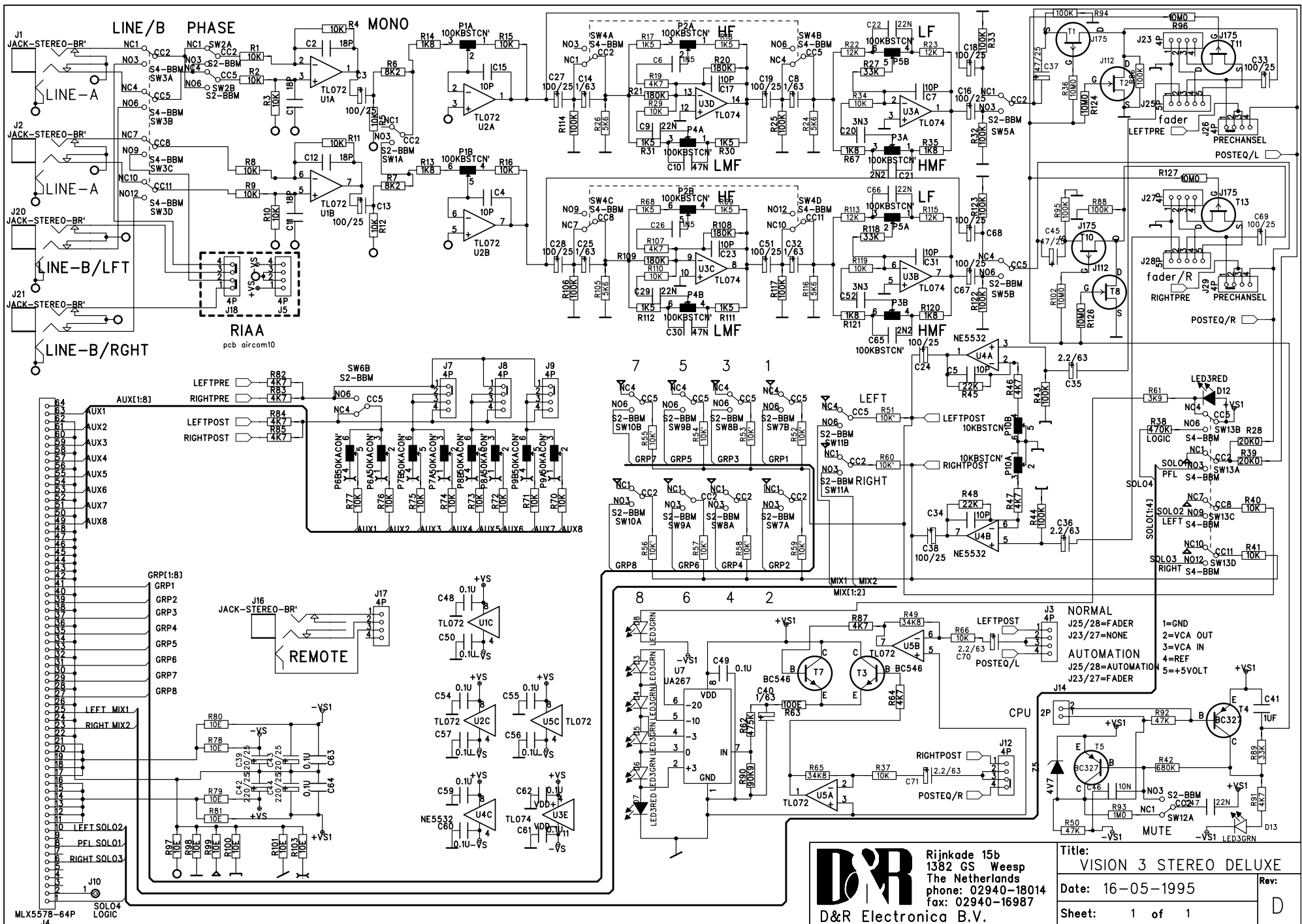
**D&R**  
 Rijnkade 15b  
 1382 GS Weesp  
 The Netherlands  
 phone: 02940-18014  
 fax: 02940-16987  
 D&R Electronica B.V.

Title:	VISION 1 D	Rev:	D
Date:	23-09-1998		
Sheet:	1 of 1		




 Rijnkade 15b  
 1382 GS Weesp  
 The Netherlands  
 phone: 02940-18014  
 fax: 02940-16987  
 D&R Electronica B.V.

Title: VISION 2 MONO  
 Date: 12 april 1993  
 Sheet: 1 of 1  
 Rev: P




 Rijnkade 15b  
 1382 GS Weesp  
 The Netherlands  
 phone: 02940-18014  
 fax: 02940-16987  
 D&R Electronica B.V.

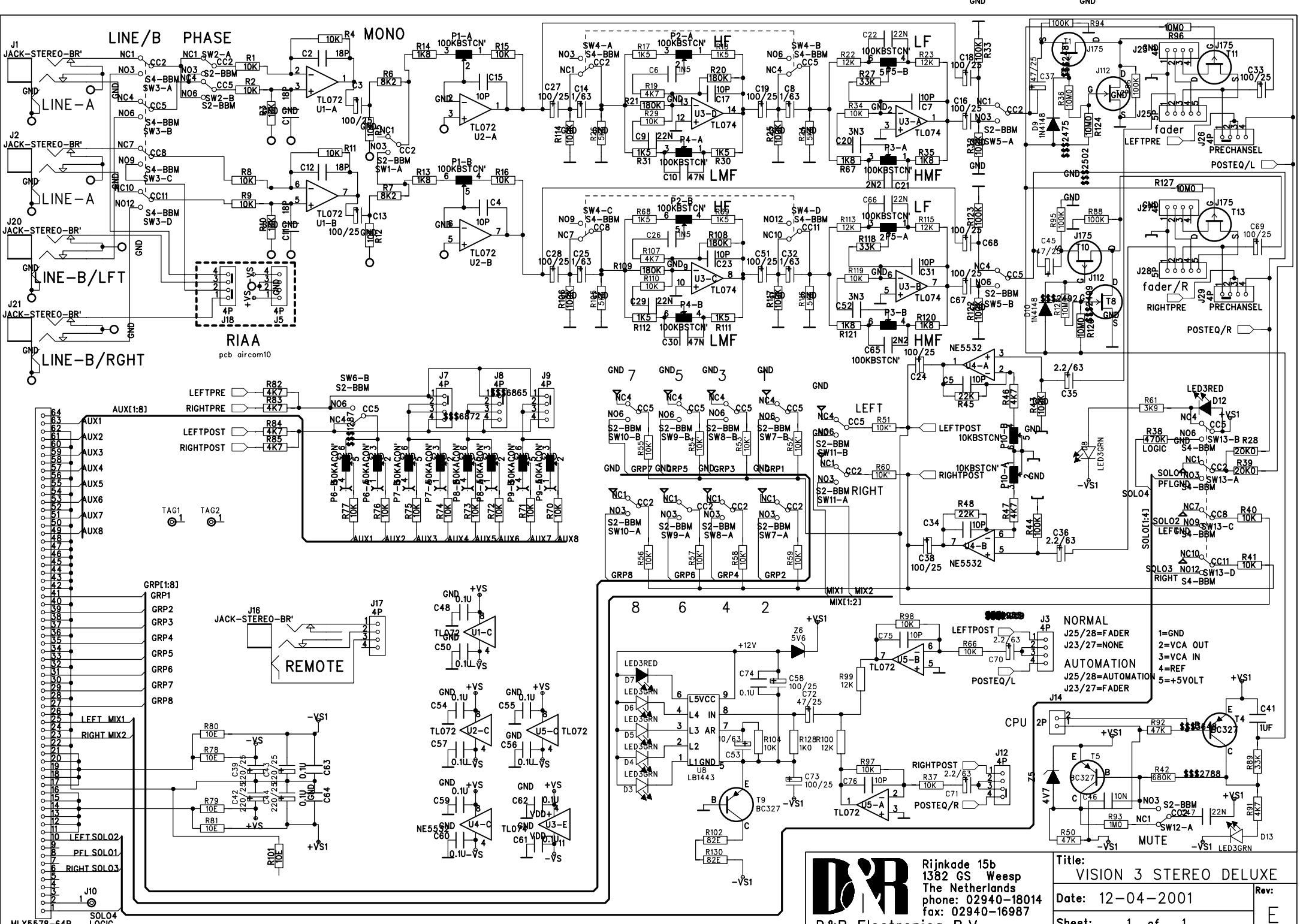
Title: VISION 3 STEREO DELUXE  
 Date: 16-05-1995  
 Sheet: 1 of 1  
 Rev: D

NORMAL  
 J25/28=FADER  
 J23/27=NONE  
 AUTOMATION  
 J25/28=AUTOMATION  
 J23/27=FADER

1=GND  
 2=VCA OUT  
 3=VCA IN  
 4=REF  
 5=+5VOLT

LED3RED  
 D12  
 +VS1  
 R38 470K  
 N06 C65  
 S4-SW13B R28  
 LOGIC  
 NC1 C2  
 CC2 20K  
 R39  
 SOLO4  
 NC1 C2  
 S2-BBM SW13A  
 SOLO2:4J  
 NC7 C8  
 R40 10K  
 SOLO2:008-SW13C  
 LEFT S4-BBM  
 NC10 C11  
 R41 10K  
 SOLO3:002-SW13D  
 RIGHT S4-BBM

CPU  
 J14  
 +VS1  
 R92 47K  
 T4 BC327  
 E  
 C  
 B  
 R93 1M0  
 NC1 S2-BBM  
 CC2 22N  
 SW12A  
 +VS1  
 R91 47K  
 D13  
 MUTE  
 -VS1 LED3GRN

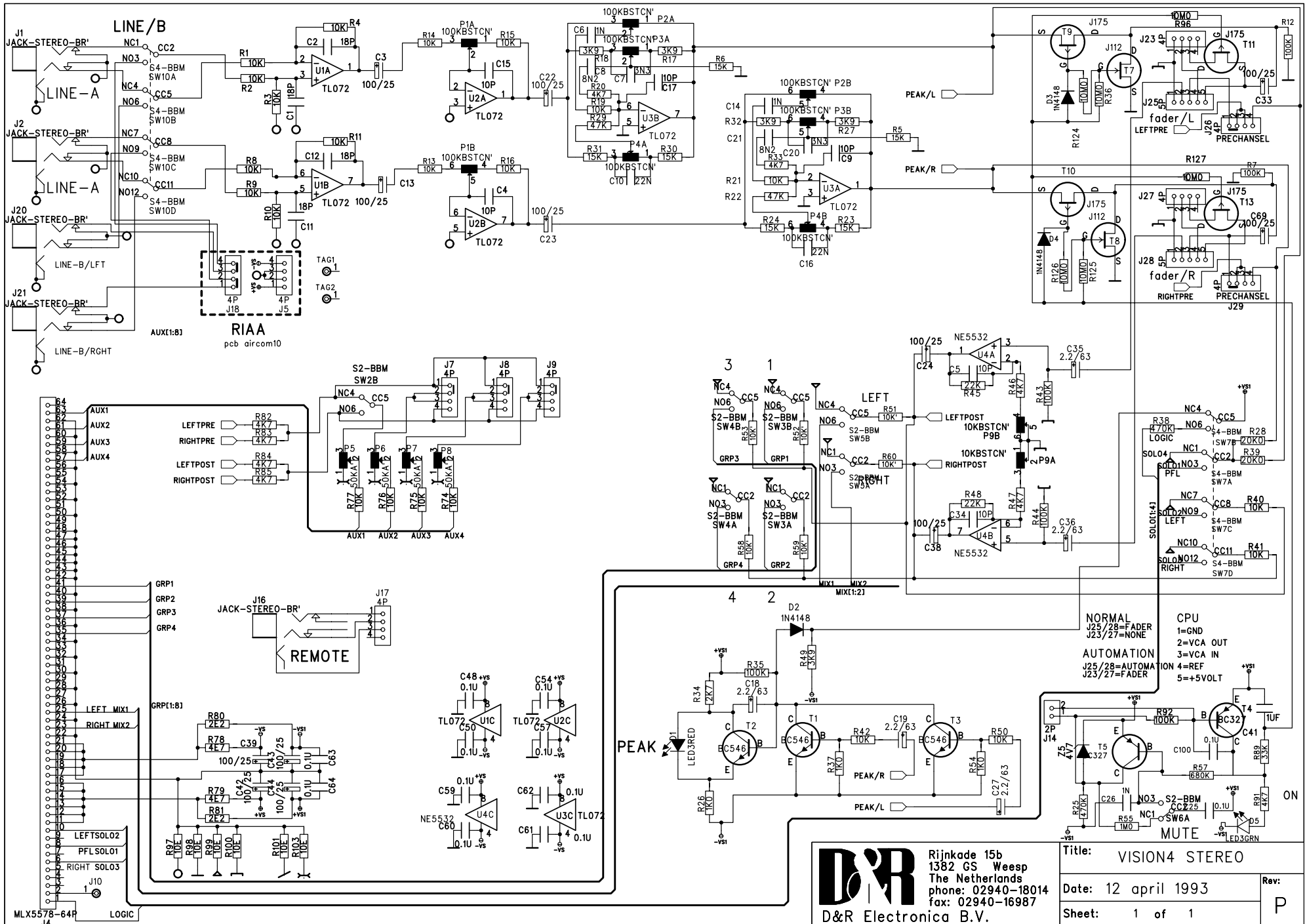


MLX5578-64P

**D&R**  
 Rijnkade 15b  
 1382 GS Weesp  
 The Netherlands  
 phone: 02940-18014  
 fax: 02940-16987  
 D&R Electronica B.V.

Title: VISION 3 STEREO DELUXE  
 Date: 12-04-2001  
 Sheet: 1 of 1  
 Rev: E

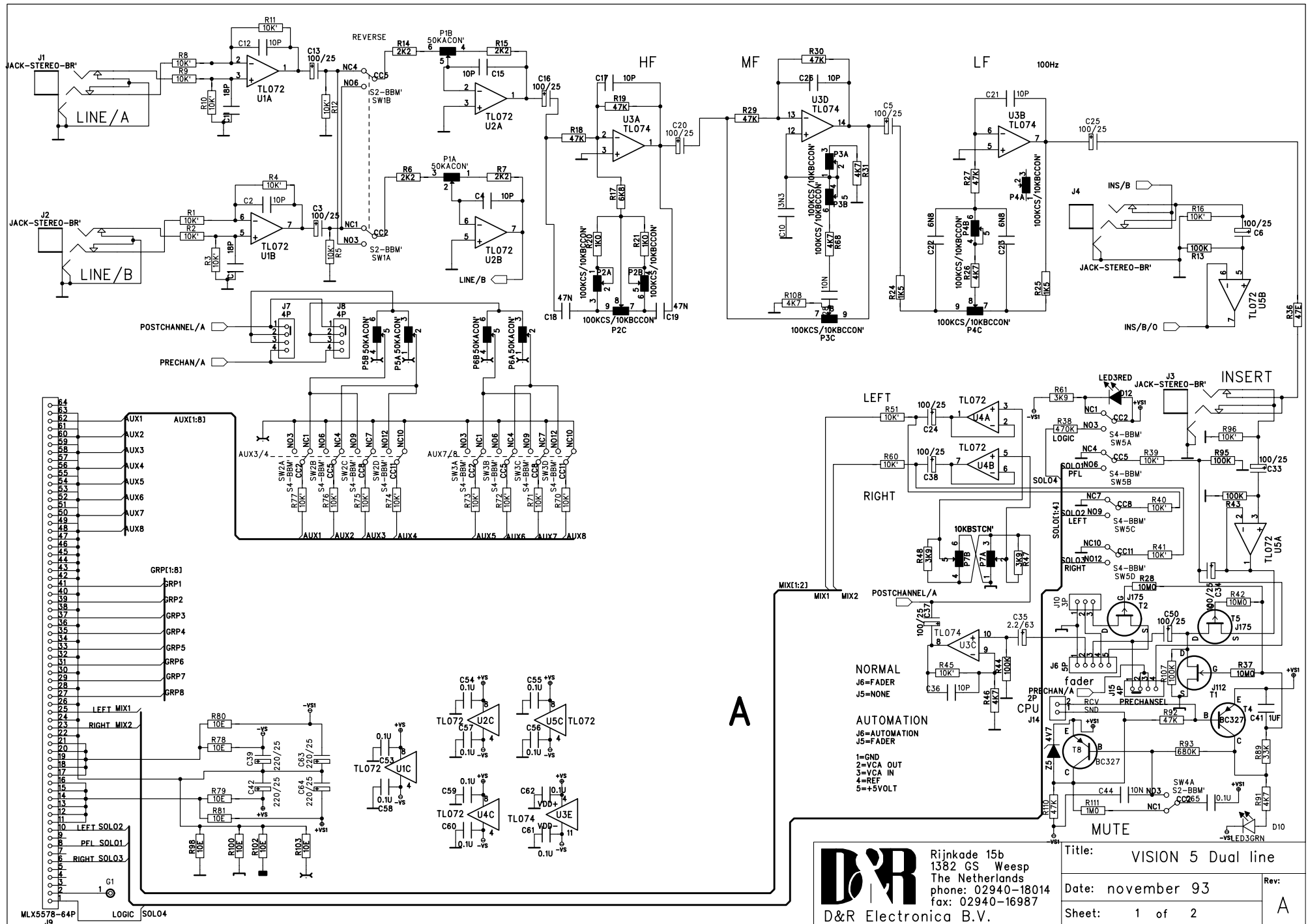
Vision3e.sch-1 - Wed May 01 09:43:47 2002



**D&R**  
 Rijkade 15b  
 1382 GS Weesp  
 The Netherlands  
 phone: 02940-18014  
 fax: 02940-16987  
 D&R Electronica B.V.

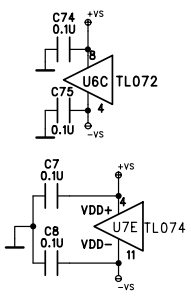
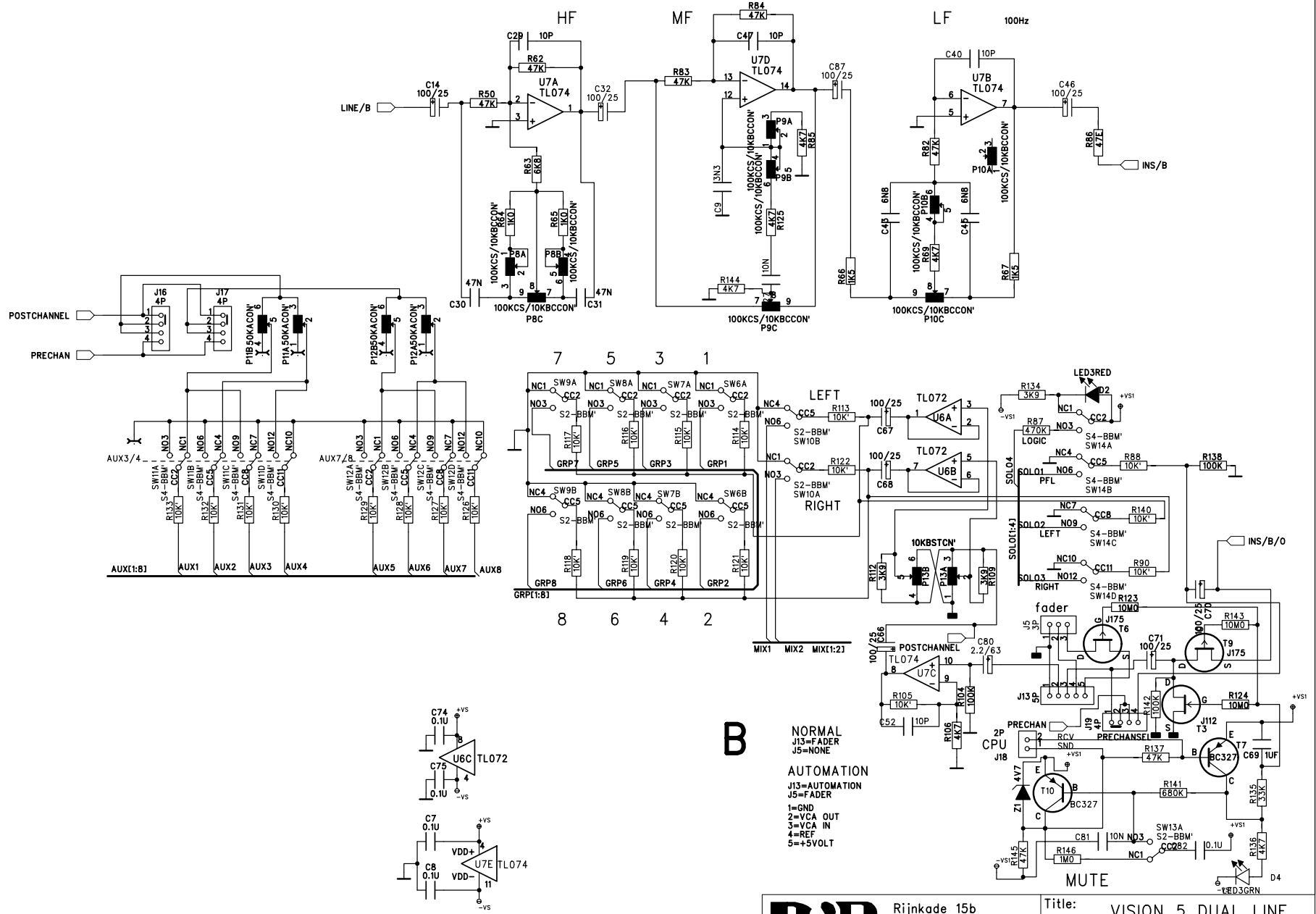
Title: VISION4 STEREO  
 Date: 12 april 1993  
 Sheet: 1 of 1  
 Rev: P





**D&R**  
 Rijnkade 15b  
 1382 GS Weesp  
 The Netherlands  
 phone: 02940-18014  
 fax: 02940-16987  
 D&R Electronica B.V.

Title: VISION 5 Dual line  
 Date: november 93  
 Sheet: 1 of 2  
 Rev: A



**B**

NORMAL  
J13=FADER  
J5=NONE

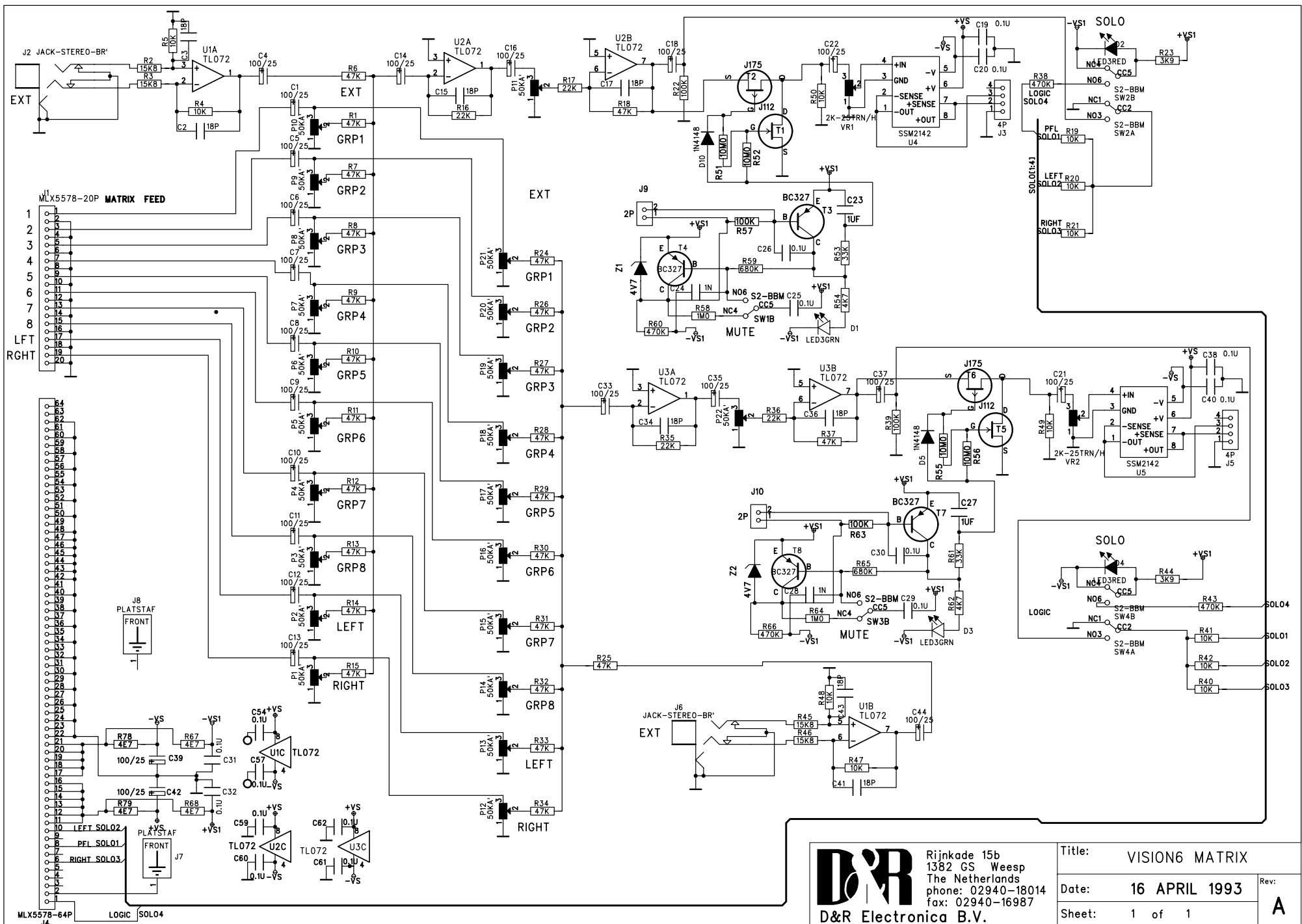
AUTOMATION  
J13=AUTOMATION  
J5=FADER

1=GND  
2=VCA OUT  
3=VCA IN  
4=REF  
5=+5VOLT

**D&R** Rijnkade 15b  
1382 GS Weesp  
The Netherlands  
phone: 02940-18014  
fax: 02940-16987

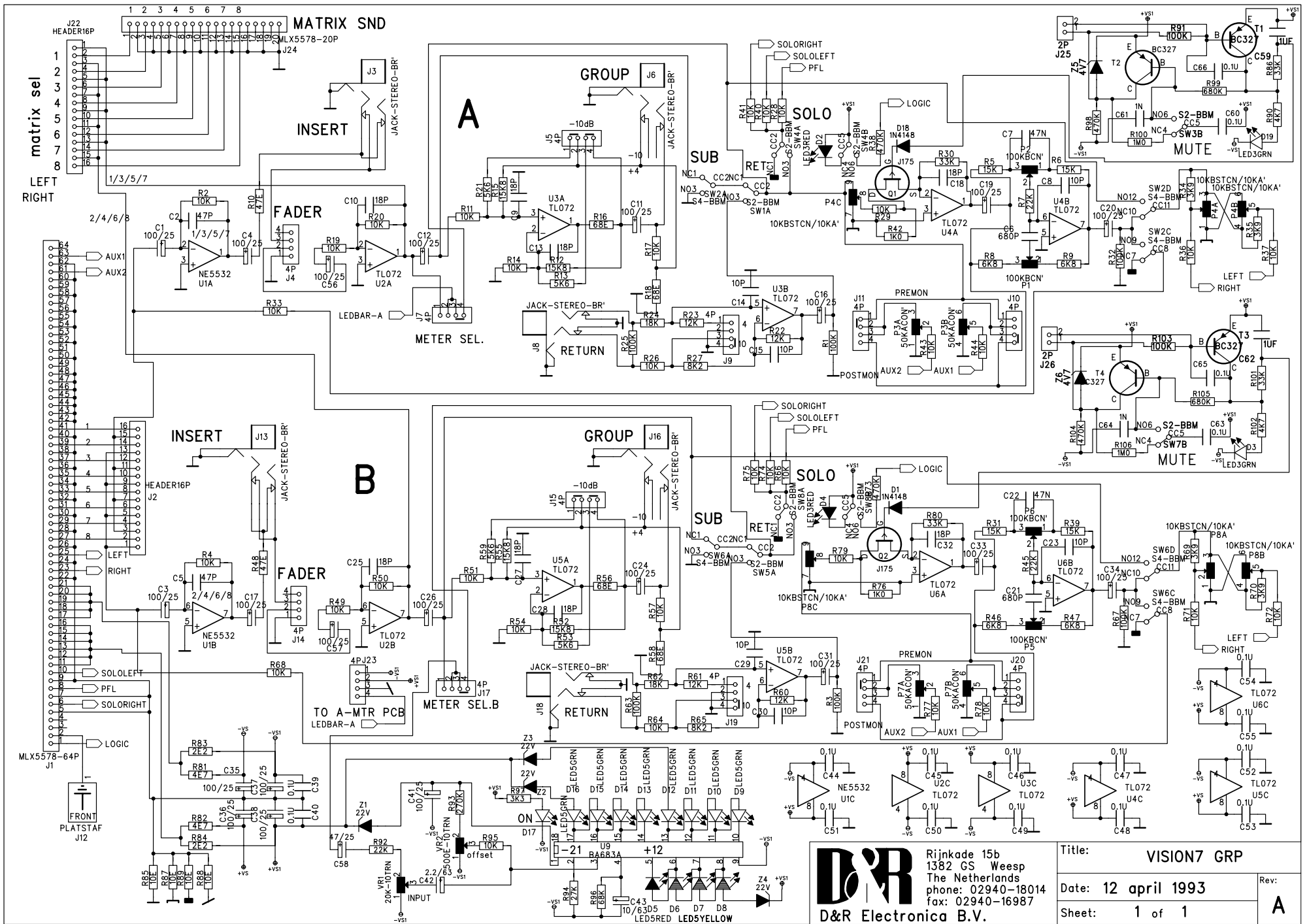
D&R Electronica B.V.

Title:	VISION 5 DUAL LINE	
Date:	november 93	Rev:
Sheet:	2 of 2	A



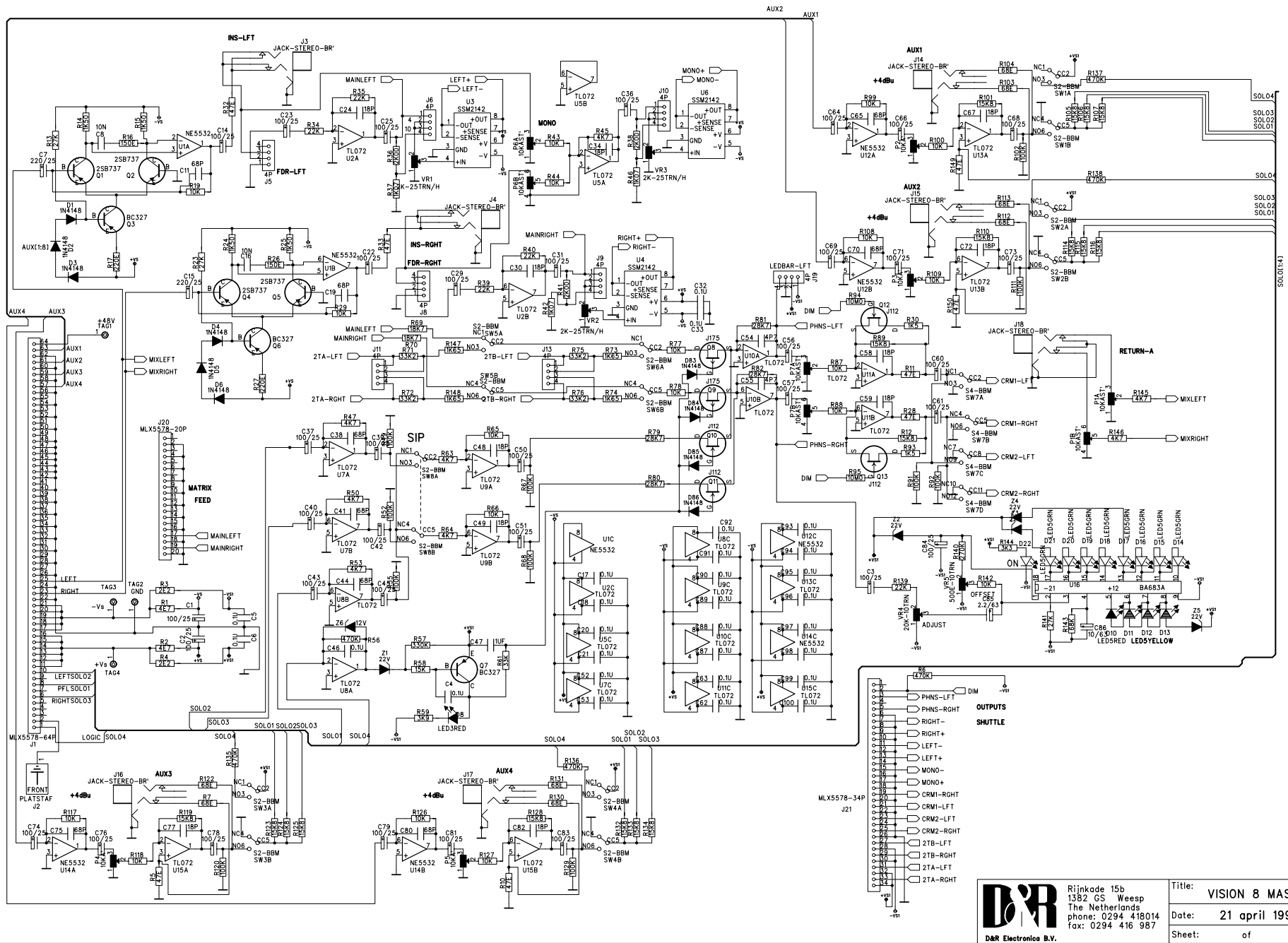

 Rijnkade 15b  
 1382 GS Weesp  
 The Netherlands  
 phone: 02940-18014  
 fax: 02940-16987  
**D&R Electronica B.V.**

Title:	VISION6 MATRIX	
Date:	16 APRIL 1993	Rev:
Sheet:	1 of 1	<b>A</b>

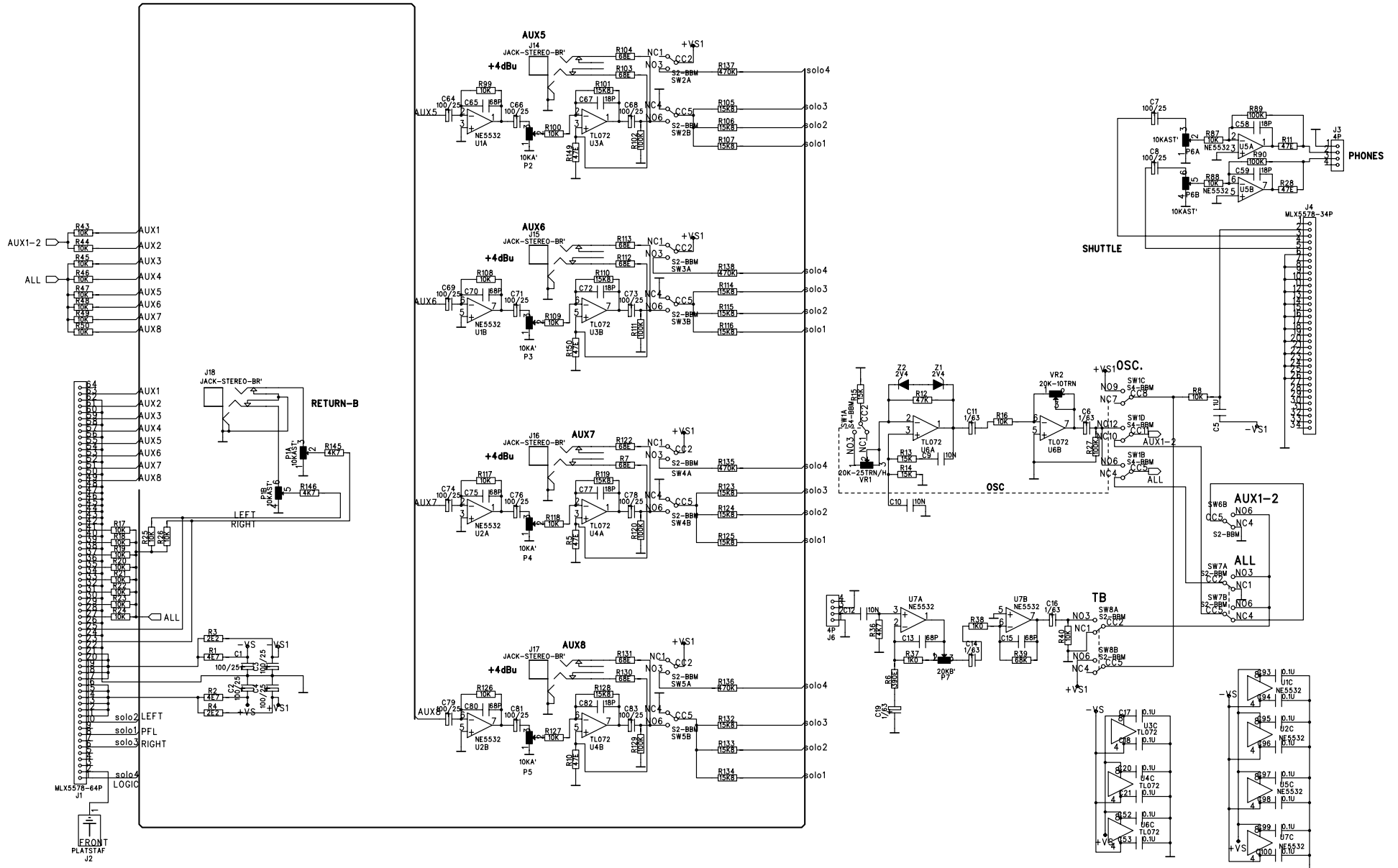


**D&R**  
 Rijkade 15b  
 1382 GS Weesp  
 The Netherlands  
 phone: 02940-18014  
 fax: 02940-16987  
 D&R Electronica B.V.

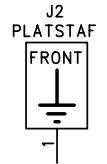
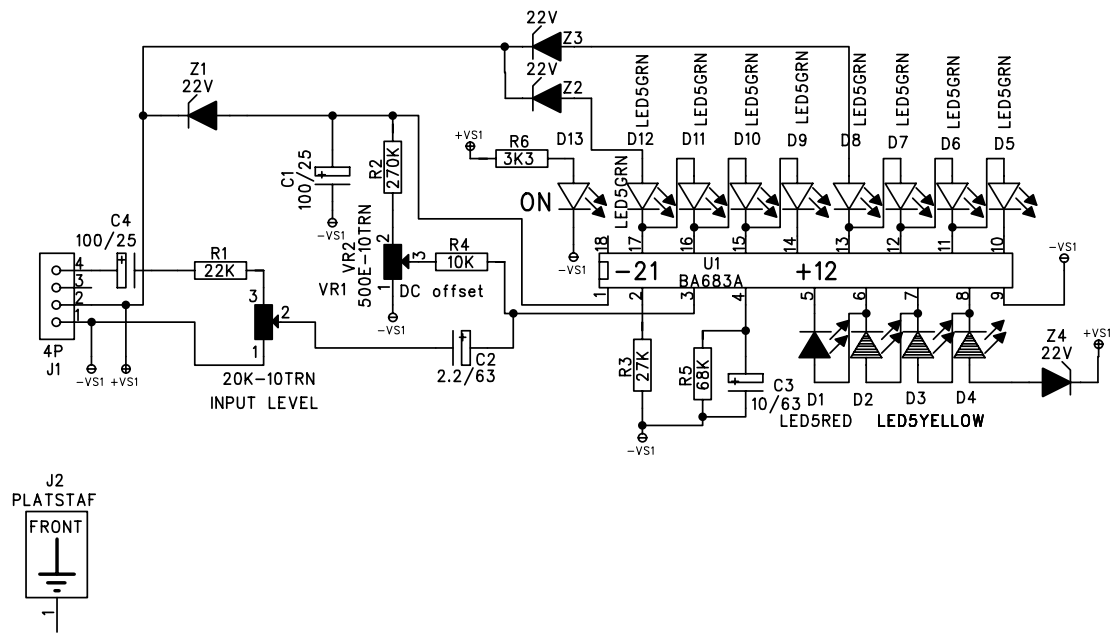
Title: VISION7 GRP	Rev: A
Date: 12 april 1993	
Sheet: 1 of 1	



AUX1:8)

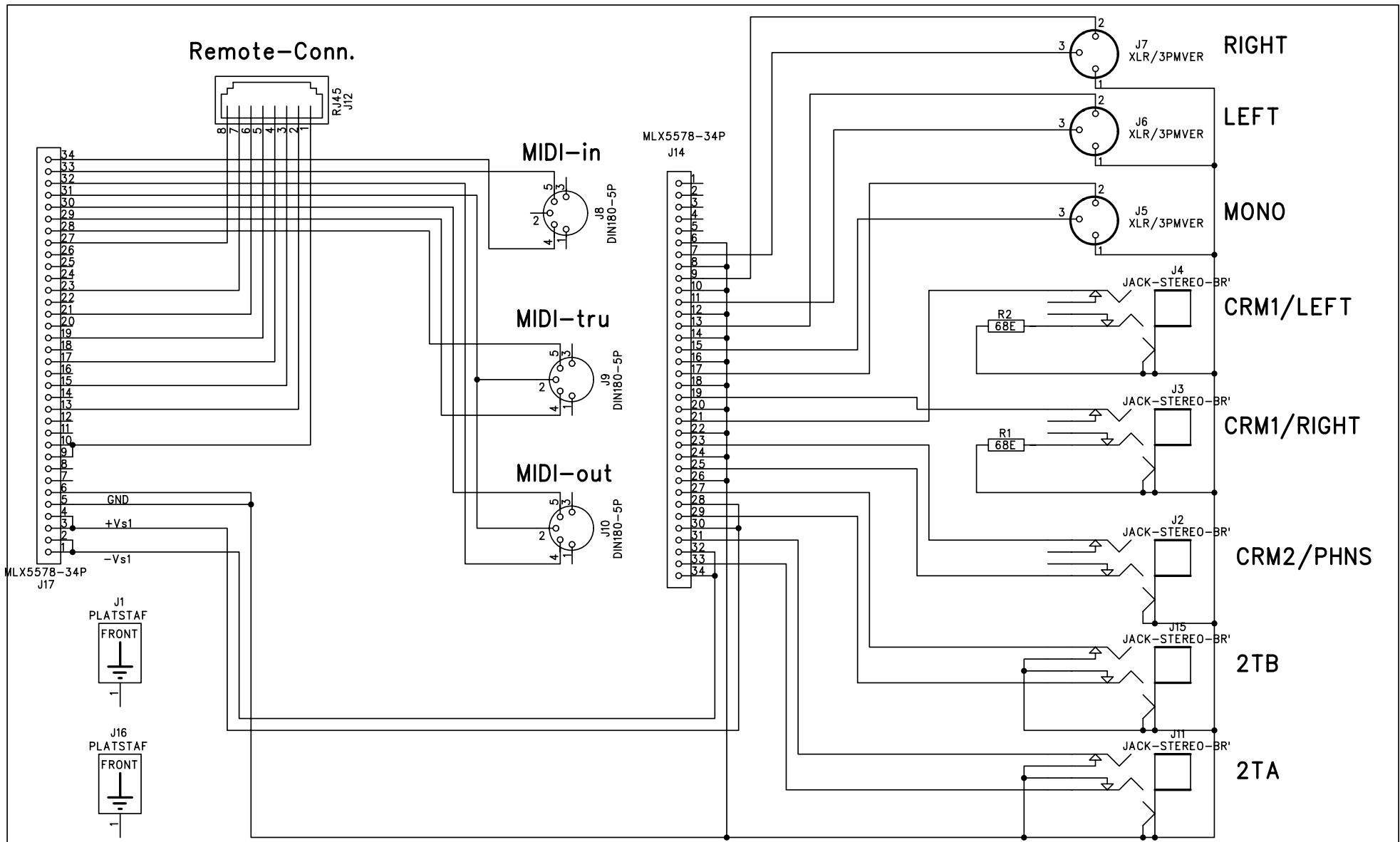


solol:4)




 Rijnkade 15b  
 1382 GS Weesp  
 The Netherlands  
 phone: 02940-18014  
 fax: 02940-16987  
**D&R Electronica B.V.**

Title:	VISION 70 LEDBAR	
Date:	12 APRIL 1993	Rev: A
Sheet:	1 of 1	



Rijnkade 15b  
 1382 GS Weesp  
 The Netherlands  
 phone: 02940-18014  
 fax: 02940-16987

D&R Electronica B.V.

Title: VISION80 OUTPUTS

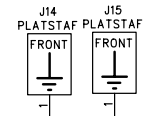
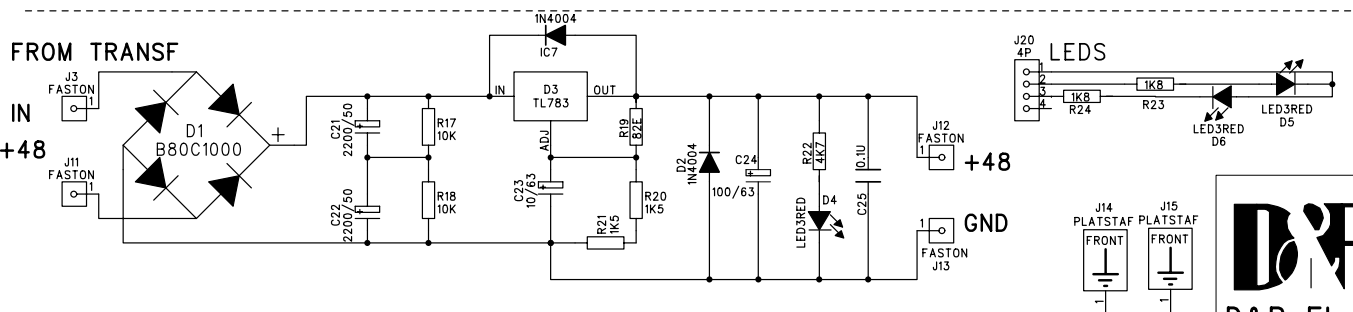
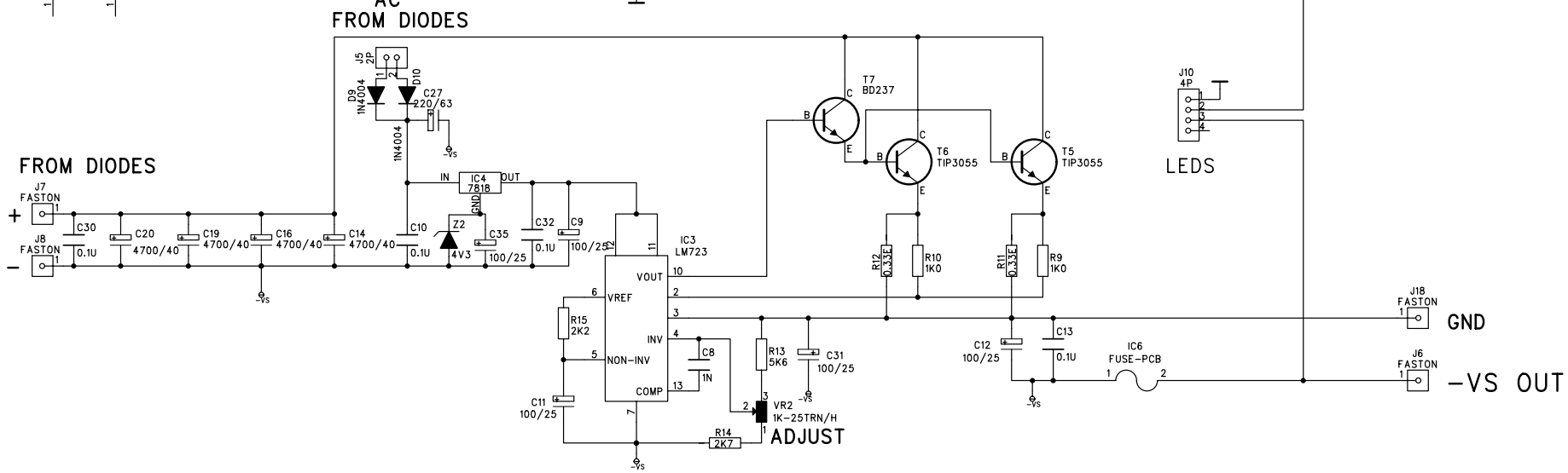
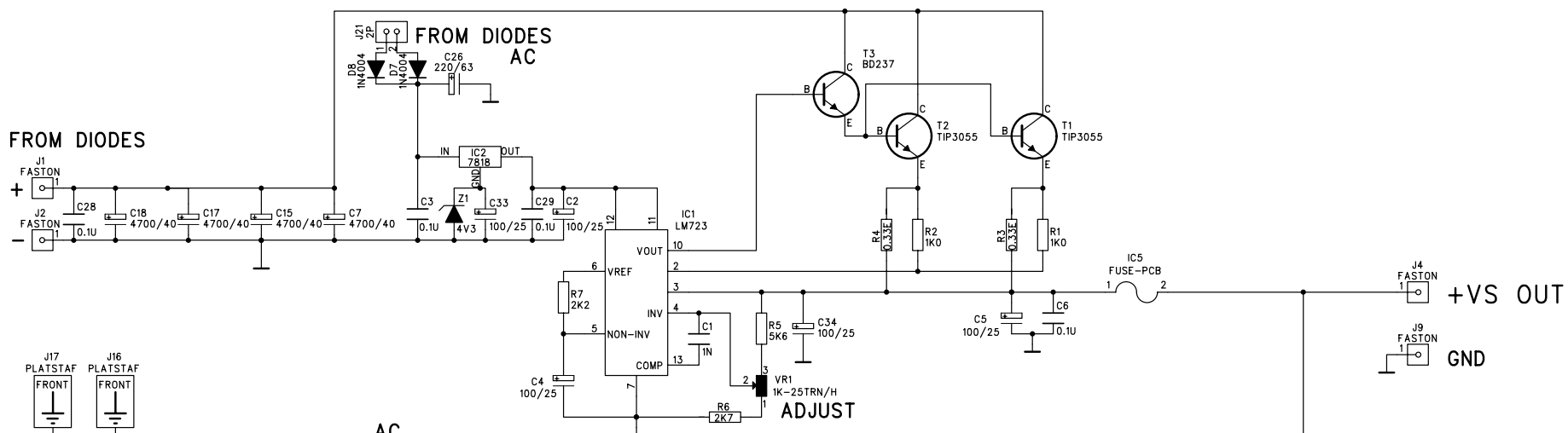
Date: SEPTEMBER 1993

Sheet: 1 of 1

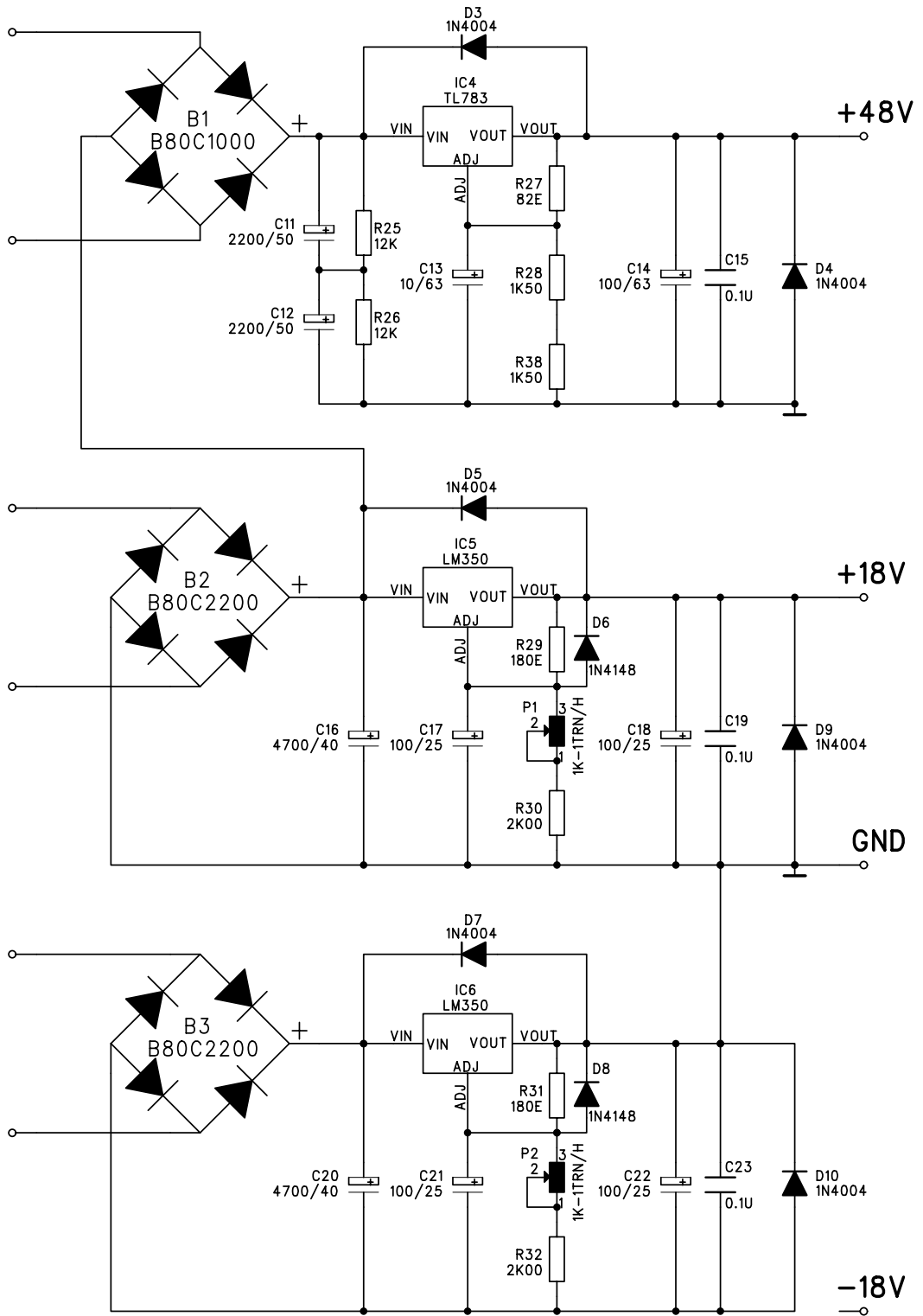
Rev:

C





<p><b>D&amp;R</b> Electronica B.V.</p>	Rijnkade 15b 1382 GS Weesp The Netherlands phone: 02940-18014 fax: 02940-16987		Title: PS300a	Rev: <b>A</b>
			Date: 17-06-1994	
			Sheet: 1 of 1	
			Design: D&R Electronica	



**D&R** Rijkkade 15b  
 1382 GS Weesp  
 The Netherlands  
 phone: 0294-418014  
 fax: 0294-416987

**D&R Electronica B.V.**

Design: R&D

Project: **Power Supply**

Title: **Aircom/Airmix**

File: **ps\_air\_c.sch** Rev: **C**

Date: **21-01-1991**

Sheet: **1 of 1**

# D&R Electronica Weesp BV (VISION PARTLIST) DATE: 04-05-1998

60882708 Vision master stand. pcb8

Articlecode	Description	Quantity	Unit
10400209	Condensator ker 4p7 R2.5	2.0000	st
10400216	Condensator ker 18p R2.5	11.0000	st
10400223	Condensator ker 68p R2.5	9.0000	st
10401241	Condensator ker 100nF/50V R5 T	27.0000	st
10401246	Condensator poly 1n0 R5.0	1.0000	st
10401268	Condensator poly 1uF R5.0	1.0000	st
10401253	Condensator poly 10n R5.0	3.0000	st
10250342	Diode 1N4148 (signaal)	10.0000	st
10400284	Elco 10uF / 40V radiaal R5.0	2.0000	st
10400292	Elco 100uF / 25V radiaal R5.0	35.0000	st
10400280	Elco 2.2uF / 50V radiaal R5.0	2.0000	st
10400290	Elco 220uF / 25V radiaal R5.0	6.0000	st
10250338	Fet J112 (N-channel switch)	4.0000	st
10250017	Fet J175 (P-channel switch)	2.0000	st
10600512	Header 4P lock straight(R2.54)	1.0000	st
10600456	Header haaks 20p (raster 2.54)	1.0000	st
10600140	Header haaks 34p (raster 2.54)	1.0000	st
10600141	Header haaks 64p (raster 2.54)	1.0000	st
10600474	Header recht 3p (raster 3.96)	2.0000	st
10600478	Header recht 4p (raster 2.54)	5.0000	st
10250375	Ic BA683A (led-driver)	2.0000	st
10250182	Ic SSM-2142 P (balanced out)	3.0000	st
10600394	Ic-voet 8 pins (vork-contact)	15.0000	st
10600397	Ic-voet 18 pins (vork-contact)	2.0000	st
10300166	Instelpot 10-tur 22k (T18)	2.0000	st
10300150	Instelpot 10-tur 500E (T18)	2.0000	st
10300202	Instelpot 22-tur 2k H T93YB	3.0000	st
10600530	Jack chassis break (slimline)	7.0000	st
10300378	Potm.16 1x 10kA log	4.0000	st
10300370	Potm.16 2x 10kA log	3.0000	st
10201008	Print Vision 8B (mstr standrd)	1.0000	st
10201015	Print Vision70A (13 seg ldbar)	1.0000	st
10550400	Schakelaar Alps 2p-ns (2 x om)	7.0000	st
10550401	Schakelaar Alps 4p-ns (4 x om)	1.0000	st
10600414	Shunt 2p (mini-jumper)	7.0000	st
10250335	Transistor 2SB737 (pnp)	4.0000	st
10250333	Transistor BC-327/25 (pnp)	3.0000	st
10350829	Weerstand 1k07 1% 1/4W	3.0000	st
10350731	Weerstand 1k5 5% 1/4W	2.0000	st
10350833	Weerstand 1k50 1% 1/4W	4.0000	st
10350579	Weerstand 1k65 1% 1/4W	4.0000	st
10350835	Weerstand 2k00 1% 1/4W	3.0000	st
10350735	Weerstand 3k3 5% 1/4W	2.0000	st
10350736	Weerstand 3k9 5% 1/4W	1.0000	st
10350737	Weerstand 4k7 5% 1/4W	8.0000	st
10350705	Weerstand 10E 5% 1/4W	4.0000	st
10350776	Weerstand 10M0 5% 1/4W	2.0000	st
10350741	Weerstand 10k 5% 1/4W	20.0000	st
10350743	Weerstand 15k 5% 1/4W	1.0000	st
10350853	Weerstand 15k8 1% 1/4W	18.0000	st
10350880	Weerstand 18k7 1% 1/4W	2.0000	st
10350745	Weerstand 22k 5% 1/4W	6.0000	st
10350746	Weerstand 27k 5% 1/4W	2.0000	st
10350861	Weerstand 28k7 1% 1/4W	4.0000	st
10350747	Weerstand 33k 5% 1/4W	1.0000	st
10350862	Weerstand 33k2 1% 1/4W	4.0000	st
10350713	Weerstand 47E 5% 1/4W	8.0000	st
10350749	Weerstand 47k 5% 1/4W	1.0000	st
10350715	Weerstand 68E 5% 1/4W	8.0000	st
10350751	Weerstand 68k 5% 1/4W	2.0000	st
10350753	Weerstand 100K 5% 1/4W	12.0000	st
10350719	Weerstand 150E 5% 1/4W	2.0000	st
10350721	Weerstand 220E 5% 1/4W	2.0000	st
10350758	Weerstand 270k 5% 1/4W	2.0000	st
10350761	Weerstand 470k 5% 1/4W	6.0000	st
10250353	Zenerdiode 12V0 / 1W	1.0000	st
10250365	Zenerdiode 22V / 400mW	9.0000	st
10101015	Achterplaat Vision15a (master)	1.0000	st
10700929	Bout M 3 x 20 rvs	1.0000	st
10600173	Conn: 3p wrd:402-03*20cm 2.5T	3.0000	st
10600169	Conn: 4p wired:1=blk/gm/rd/bl	2.0000	st
10450195	Deksel SiFam 11mm gray bulk	5.0000	st
10450152	Deksel SiFam 11mm red/7 bulk	2.0000	st
10300089	Fader JP 100mm mono 10KA	2.0000	st
10101008	Front Vision 8c (mstr standrd)	1.0000	st
10600012	Kabelschoen rondstift blauw	1.0000	st
10700625	Kartelring M 3 (buitenvertan)	6.0000	st
10450251	Knop Druktoets 3.3 black-squar	2.0000	st
10450197	Knop Druktoets 3.3 grey-rectan	1.0000	st
10450253	Knop Druktoets 3.3 grey-square	4.0000	st
10450196	Knop Druktoets 3.3 red-rectang	1.0000	st
10450105	Knop Fader SIF GREY/black1.2x8	2.0000	st
10450103	Knop SiFam grey splined(11mm)	7.0000	st
10250387	Led 3mm red round	1.0000	st

10250393	Led 5x2mm ORANGE 1"lead	6.0000	st
10250391	Led 5x2mm green (BRIGHT)	18.0000	st
10250392	Led 5x2mm red (BRIGHT)	2.0000	st
10650490	Montagedraad 2.5 mm2 (blauw)	40.0000	cm
10650103	Montagedraad 2.5 mm2 (grijs)	40.0000	cm
10650100	Montagedraad 2.5 mm2 (rood)	40.0000	cm
10650104	Montagedraad 2.5 mm2 (zwart)	40.0000	cm
10700690	Platstaf 25 x 10 x 10mm	2.0000	st
10700611	Popnagel 3.0 x 6.5 blank	3.0000	st
20851014	Print bestukt Vision 70 ldbar	1.0000	st
20851008	Print bestukt Vision 8 (mstrS)	1.0000	st
10700786	Taptite M3x5 verzkop/pozidr/zw	6.0000	st
10700681	Tywrap kort 94 mm blank	3.0000	st

60882709 Vision master deluxe pcb9

Articlecode	Description	Quantity	Unit
10400216	Condensator ker 18p R2.5	6.0000	st
10400223	Condensator ker 68p R2.5	6.0000	st
10401241	Condensator ker 100nF/50V R5 T	14.0000	st
10401268	Condensator poly 1uF R5.0	1.0000	st
10401253	Condensator poly 10n R5.0	3.0000	st
10400279	Elco 1uF / 63V radiaal R5.0	5.0000	st
10400292	Elco 100uF / 25V radiaal R5.0	18.0000	st
10600512	Header 4P lock straight(R2.54)	2.0000	st
10600140	Header haaks 34p (raster 2.54)	1.0000	st
10600141	Header haaks 64p (raster 2.54)	1.0000	st
10250307	Ic NE-5532 AP TI (dual-opamp)	4.0000	st
10250304	Ic TL-072 CP TI (dual-opamp)	3.0000	st
10600394	Ic-voet 8 pins (vork-contact)	7.0000	st
10300166	Instelpot 10-tur 22k (T18)	1.0000	st
10300200	Instelpot 25-tur 20k H T93YB	1.0000	st
10600530	Jack chassis break (slimline)	5.0000	st
10300378	Potm.16 1x 10kA log	4.0000	st
10300372	Potm.16 1x 20kB cn lin	1.0000	st
10300370	Potm.16 2x 10kA log	2.0000	st
10201009	Print Vision 9A (mstr lux)	1.0000	st
10550403	Schakelaar Alps 2p- s (2 x om)	1.0000	st
10550400	Schakelaar Alps 2p-ns (2 x om)	6.0000	st
10550401	Schakelaar Alps 4p-ns (4 x om)	1.0000	st
10350517	Weerstand 0E 5% 1/4W	2.0000	st
10350729	Weerstand 1k0 5% 1/4W	2.0000	st
10350703	Weerstand 2E2 5% 1/4W	2.0000	st
10350704	Weerstand 4E7 5% 1/4W	2.0000	st
10350737	Weerstand 4k7 5% 1/4W	3.0000	st
10350741	Weerstand 10k 5% 1/4W	31.0000	st
10350743	Weerstand 15k 5% 1/4W	3.0000	st
10350853	Weerstand 15k8 1% 1/4W	16.0000	st
10350713	Weerstand 47E 5% 1/4W	6.0000	st
10350749	Weerstand 47k 5% 1/4W	1.0000	st
10350715	Weerstand 68E 5% 1/4W	8.0000	st
10350751	Weerstand 68k 5% 1/4W	8.0000	st
10350751	Weerstand 68k 5% 1/4W	1.0000	st
10350753	Weerstand 100K 5% 1/4W	7.0000	st
10350724	Weerstand 390E 5% 1/4W	1.0000	st
10350761	Weerstand 470k 5% 1/4W	4.0000	st
10250340	Zenerdiode 2V4 / 400mW	2.0000	st
10101016	Achterplaat Vision16a (master)	1.0000	st
10600169	Conn: 4p wired:1=blk/gm/rd/bl	2.0000	st
10450195	Deksel SiFam 11mm gray bulk	4.0000	st
10450152	Deksel SiFam 11mm red/7 bulk	3.0000	st
10101009	Front Vision 9a (mstr lux)	1.0000	st
10500004	Isolatiekous 4.0mm rond (grys)	24.0000	cm
10600432	Jack chassis break	2.0000	st
10450251	Knop Druktoets 3.3 black-squar	2.0000	st
10450253	Knop Druktoets 3.3 grey-square	4.0000	st
10450196	Knop Druktoets 3.3 red-rectang	1.0000	st
10450252	Knop Druktoets 3.3 red-square	1.0000	st
10450103	Knop SiFam grey splined(11mm)	7.0000	st
10500683	Krimpkaus 3.2mm RNF-100 1/8"zw	3.0000	cm
10700690	Platstaf 25 x 10 x 10mm	1.0000	st
10700611	Popnagel 3.0 x 6.5 blank	2.0000	st
10700606	Popnagel 3x7 zwart ano alu/sta	2.0000	st
20851009	Print bestukt Vision 9 (mstrL)	1.0000	st
10700787	Taptite M3x6 bolkopozidr/zwr	4.0000	st
10700790	Taptite M3x6 verzkop/pozidr/zw	1.0000	st
10600424	XLR chass fem 3p pl.zw s	1.0000	st

# D&R Electronica Weesp BV (VISION PARTLIST) DATE: 04-05-1998

60882710 Vision mono-stand. ch pcb2

Articlecode	Description	Quantity	Unit
10400213	Condensator ker 10p R2.5	3.0000	st
10400216	Condensator ker 18p R2.5	3.0000	st
10400232	Condensator ker 470p R2.5	1.0000	st
10400234	Condensator ker 680p R2.5	1.0000	st
10400236	Condensator ker 1000p R2.5	2.0000	st
10401241	Condensator ker 100nF/50V R5 T	11.0000	st
10401268	Condensator poly 1uF R5.0	1.0000	st
10401249	Condensator poly 3n3 R5.0	1.0000	st
10401253	Condensator poly 10n R5.0	2.0000	st
10401258	Condensator poly 47n R5.0	1.0000	st
10250342	Diode 1N4148 (signaal)	1.0000	st
10400292	Elco 100uF / 25V radiaal R5.0	9.0000	st
10400302	Elco 100uF / 63V radiaal R5.0	3.0000	st
10400280	Elco 2.2uF / 50V radiaal R5.0	3.0000	st
10400290	Elco 220uF / 25V radiaal R5.0	4.0000	st
10400303	Elco 1000uF / 10V radiaal R5.0	1.0000	st
10250338	Fet J112 (N-channel switch)	1.0000	st
10250017	Fet J175 (P-channel switch)	2.0000	st
10600510	Header 2p Lock straightR 2.54	2.0000	st
10600511	Header 3p Lock straightR 2.54	1.0000	st
10600512	Header 4p lock straight(R2.54)	3.0000	st
10600141	Header haaks 64p (raster 2.54)	1.0000	st
10600478	Header recht 4p (raster 2.54)	4.0000	st
10250307	Ic NE-5532 AP TI (dual-opamp)	1.0000	st
10250184	Ic SSM-2017 P (audio pre-amp)	1.0000	st
10250304	Ic TL-072 CP TI (dual-opamp)	2.0000	st
10600394	Ic-voet 8 pins (vork-contact)	4.0000	st
10600530	Jack chassis break (slimline)	4.0000	st
10300385	Potm.16 1x 100kB cn lin	2.0000	st
10300374	Potm.16 1x 20k/1x 10kRD gain	1.0000	st
10300380	Potm.16 1x 50kA log	4.0000	st
10300371	Potm.16 2x 10k/1x 10k lin	2.0000	st
10300382	Potm.16 2x100k	1.0000	st
10201002	Print Vision 2A (mono standrd)	1.0000	st
10550400	Schakelaar Alps 2p-ns (2 x om)	6.0000	st
10550395	Schakelaar Alps 2p-ns (moment)	1.0000	st
10550401	Schakelaar Alps 4p-ns (4 x om)	1.0000	st
10600414	Shunt 2p (mini-jumper)	4.0000	st
10250333	Transistor BC-327/25 (pnp)	2.0000	st
10250328	Transistor BC-546B (nnp)	2.0000	st
10350517	Weerstand 0E 5% 1/4W	55.0000	st
10350765	Weerstand 1M0 5% 1/4W	1.0000	st
10350729	Weerstand 1k0 5% 1/4W	2.0000	st
10350835	Weerstand 2k00 1% 1/4W	2.0000	st
10350733	Weerstand 2k2 5% 1/4W	2.0000	st
10350734	Weerstand 2k7 5% 1/4W	3.0000	st
10350736	Weerstand 3k9 5% 1/4W	1.0000	st
10350737	Weerstand 4k7 5% 1/4W	4.0000	st
10350846	Weerstand 6k81 1% 1/4W	2.0000	st
10350739	Weerstand 6k8 5% 1/4W	2.0000	st
10350705	Weerstand 10E 5% 1/4W	4.0000	st
10350776	Weerstand 10M0 5% 1/4W	3.0000	st
10350741	Weerstand 10k 5% 1/4W	22.0000	st
10350743	Weerstand 15k 5% 1/4W	2.0000	st
10350745	Weerstand 22k 5% 1/4W	1.0000	st
10350711	Weerstand 33E 5% 1/4W	1.0000	st
10350747	Weerstand 33k 5% 1/4W	1.0000	st
10350713	Weerstand 47E 5% 1/4W	1.0000	st
10350749	Weerstand 47k 5% 1/4W	4.0000	st
10350715	Weerstand 68E 5% 1/4W	2.0000	st
10350753	Weerstand 100K 5% 1/4W	6.0000	st
10350725	Weerstand 470E 5% 1/4W	1.0000	st
10350761	Weerstand 470k 5% 1/4W	1.0000	st
10350763	Weerstand 680k 5% 1/4W	1.0000	st
10250362	Zenerdiode 4V7 / 400mW	1.0000	st
10250351	Zenerdiode 5V6 / 400mW	4.0000	st
10101011	Achterplaat Vision 11b(mono)	1.0000	st
10600171	Conn: 3p wired: 1=blck/grn/red	1.0000	st
10600173	Conn: 3p wrd:402-03*20cm 2.5T	1.0000	st
10450151	Deksel SiFam 11mm Hopsack/117	1.0000	st
10450153	Deksel SiFam 11mm black/5bulk	3.0000	st
10450182	Deksel SiFam 11mm blue bulk	2.0000	st
10450195	Deksel SiFam 11mm gray bulk	2.0000	st
10450194	Deksel SiFam 11mm green bulk	1.0000	st
10450152	Deksel SiFam 11mm red/7 bulk	1.0000	st
10300089	Fader JP 100mm mono 10KA	1.0000	st
10101002	Front Vision 2a (mono standrd)	1.0000	st
10500005	Isolatiekous 5.0mm rond (grys)	18.0000	cm
10700625	Kartelring M 3 (buitenvertan)	2.0000	st
10700684	Kartelring M 10 (buitenvertan)	6.0000	st
10450197	Knop Druktoets 3.3 grey-rectan	1.0000	st
10450253	Knop Druktoets 3.3 grey-square	4.0000	st
10450196	Knop Druktoets 3.3 red-rectang	1.0000	st
10450252	Knop Druktoets 3.3 red-square	1.0000	st

10450082	Knop Fader SiFam white (1.2x8)	1.0000	st
10450103	Knop SiFam grey splined(11mm)	10.0000	st
10250386	Led 3mm green round	1.0000	st
10250387	Led 3mm red round	1.0000	st
10700610	Moer M 3	2.0000	st
20851002	Print bestukt Vision 2 (monoS)	1.0000	st
10700616	Taptite M3x10 bolkoppozidr/zw.	2.0000	st
10700786	Taptite M3x5 verzkop/pozidr/zw	2.0000	st
10600424	XLR chass fem 3p pl.zw s	1.0000	st

60882711 Vision mono-luxe ch pcb1

Articlecode	Description	Quantity	Unit
10400213	Condensator ker 10p R2.5	4.0000	st
10400215	Condensator ker 15p R2.5	1.0000	st
10400216	Condensator ker 18p R2.5	5.0000	st
10400232	Condensator ker 470p R2.5	1.0000	st
10400236	Condensator ker 1000p R2.5	2.0000	st
10401241	Condensator ker 100nF/50V R5 T	13.0000	st
10401247	Condensator poly 1n5 R5.0	1.0000	st
10401268	Condensator poly 1uF R5.0	1.0000	st
10401250	Condensator poly 4n7 R5.0	1.0000	st
10401251	Condensator poly 6n8 R5.0	2.0000	st
10401253	Condensator poly 10n R5.0	1.0000	st
10400277	Condensator poly 22n R5.0	2.0000	st
10401258	Condensator poly 47n R5.0	2.0000	st
10401260	Condensator poly 68n R5.0	1.0000	st
10400279	Elco 1uF / 63V radiaal R5.0	3.0000	st
10400287	Elco 47uF / 25V radiaal R5.0	1.0000	st
10400292	Elco 100uF / 25V radiaal R5.0	15.0000	st
10400302	Elco 100uF / 63V radiaal R5.0	3.0000	st
10400280	Elco 2.2uF / 50V radiaal R5.0	1.0000	st
10400290	Elco 220uF / 25V radiaal R5.0	4.0000	st
10400303	Elco 1000uF / 10V radiaal R5.0	1.0000	st
10250338	Fet J112 (N-channel switch)	1.0000	st
10250017	Fet J175 (P-channel switch)	2.0000	st
10600510	Header 2p Lock straightR 2.54	2.0000	st
10600511	Header 3p Lock straightR 2.54	4.0000	st
10600141	Header haaks 64p (raster 2.54)	1.0000	st
10600478	Header recht 4p (raster 2.54)	6.0000	st
10250307	Ic NE-5532 AP TI (dual-opamp)	2.0000	st
10250184	Ic SSM-2017 P (audio pre-amp)	1.0000	st
10250304	Ic TL-072 CP TI (dual-opamp)	2.0000	st
10250305	Ic TL-074 CN TI (quad-opamp)	1.0000	st
10250312	Ic UA-267 (led-driver)	1.0000	st
10600394	Ic-voet 8 pins (vork-contact)	5.0000	st
10600395	Ic-voet 14 pins (vork-contact)	1.0000	st
10600530	Jack chassis break (slimline)	4.0000	st
10300374	Potm.16 1x 20k/1x 10kRD gain	1.0000	st
10300371	Potm.16 2x 10k/1x 10kB cn lin	1.0000	st
10300373	Potm.16 2x 50kA con	4.0000	st
10300381	Potm.16 2x100k/1x 10k/1x 10kB cn con	4.0000	st
10201001	Print Vision 1C (mono lux)	1.0000	st
10550400	Schakelaar Alps 2p-ns (2 x om)	12.0000	st
10550395	Schakelaar Alps 2p-ns (moment)	1.0000	st
10550401	Schakelaar Alps 4p-ns (4 x om)	1.0000	st
10600414	Shunt 2p (mini-jumper)	7.0000	st
10250333	Transistor BC-327/25 (pnp)	3.0000	st
10250328	Transistor BC-546B (nnp)	1.0000	st
10351741	Weerstand 10k 1/8W 5%	11.0000	st
10350749	Weerstand 47k 5% 1/4W	9.0000	st
10350753	Weerstand 100K 5% 1/4W	6.0000	st
10350761	Weerstand 470k 5% 1/4W	1.0000	st
10101011	Achterplaat Vision 11b(mono)	1.0000	st
10600171	Conn: 3p wired: 1=blck/grn/red	1.0000	st
10600173	Conn: 3p wrd:402-03*20cm 2.5T	1.0000	st
10450151	Deksel SiFam 11mm Hopsack/117	1.0000	st
10450153	Deksel SiFam 11mm black/5bulk	3.0000	st
10450182	Deksel SiFam 11mm blue bulk	2.0000	st
10450195	Deksel SiFam 11mm gray bulk	2.0000	st
10450194	Deksel SiFam 11mm green bulk	1.0000	st
10450152	Deksel SiFam 11mm red/7 bulk	1.0000	st
10300089	Fader JP 100mm mono 10KA	1.0000	st
10101001	Front Vision 1a (mono lux)	1.0000	st
10500004	Isolatiekous 4.0mm rond (grys)	40.0000	cm
10700625	Kartelring M 3 (buitenvertan)	2.0000	st
10700684	Kartelring M 10 (buitenvertan)	8.0000	st
10450251	Knop Druktoets 3.3 black-squar	2.0000	st
10450197	Knop Druktoets 3.3 grey-rectan	1.0000	st
10450253	Knop Druktoets 3.3 grey-square	9.0000	st
10450196	Knop Druktoets 3.3 red-rectang	1.0000	st

# D&R Electronica Weesp BV (VISION PARTLIST) DATE: 04-05-1998

60882711 Vision mono-luxe ch pcb1			
Articlecode	Description	Quantity	Unit
10450252	Knop Druktoets 3.3 red-square	1.0000	st
10450082	Knop Fader SiFam white (1.2x8)	1.0000	st
10450101	Knop SiFam grey Alps(bot15mm)	8.0000	st
10450100	Knop SiFam grey spli(top11mm)	8.0000	st
10450103	Knop SiFam grey splined(11mm)	2.0000	st
10500683	Krimpous 3.2mm RNF-100 1/8"zw	6.0000	cm
10250386	Led 3mm green round	6.0000	st
10250387	Led 3mm red round	2.0000	st
10700606	Popnagel 3x7 zwart ano alu/sta	2.0000	st
20851010	Print bestukt Vision 1 mnolux	1.0000	st
10700786	Tapitie M3x5 verzkop/pozid/rzw	2.0000	st
10700787	Tapitie M3x6 bolkoppozid/rzwrt	4.0000	st
10600424	XLR chass fem 3p pl.zw s	1.0000	st

60882712 Vision stereo-stand ch.pcb4			
Articlecode	Description	Quantity	Unit
10400213	Condensator ker 10p R2.5	6.0000	st
10400216	Condensator ker 18p R2.5	4.0000	st
10401241	Condensator ker 100nF/50V R5 T	11.0000	st
10401246	Condensator poly 1n0 R5.0	2.0000	st
10401268	Condensator poly 1uF R5.0	1.0000	st
10401249	Condensator poly 3n3 R5.0	2.0000	st
10400278	Condensator poly 8n2 R5.0	2.0000	st
10401253	Condensator poly 10n R5.0	1.0000	st
10400277	Condensator poly 22n R5.0	2.0000	st
10250342	Diode 1N4148 (signaal)	1.0000	st
10400292	Elco 100uF / 25V radiaal R5.0	8.0000	st
10400280	Elco 2.2uF / 50V radiaal R5.0	5.0000	st
10400290	Elco 220uF / 25V radiaal R5.0	4.0000	st
10250338	Fet J112 (N-channel switch)	2.0000	st
10250017	Fet J175 (P-channel switch)	4.0000	st
10600510	Header 2p Lock straightR 2.54	1.0000	st
10600511	Header 3p Lock straightR 2.54	2.0000	st
10600512	Header 4p lock straight(R2.54)	3.0000	st
10600141	Header haaks 64p (raster 2.54)	1.0000	st
10600478	Header recht 4p (raster 2.54)	6.0000	st
10600170	Header recht 4p female pcb	1.0000	st
10250307	Ic NE-5532 AP TI (dual-opamp)	1.0000	st
10250304	Ic TL-072 CP TI (dual-opamp)	3.0000	st
10600394	Ic-voet 8 pins (vork-contact)	4.0000	st
10600530	Jack chassis break (slimline)	5.0000	st
10300380	Potm.16 1x 50kA log	1.0000	st
10300371	Potm.16 2x 10kB cn lin	1.0000	st
10300375	Potm.16 2x100kB cn lin	4.0000	st
10201004	Print Vision 4B (ster.standrd)	1.0000	st
10550400	Schakelaar Alps 2p-ns (2 x om)	4.0000	st
10550395	Schakelaar Alps 2p-ns (moment)	1.0000	st
10550401	Schakelaar Alps 4p-ns (4 x om)	2.0000	st
10600414	Shunt 2p (mini-jumper)	7.0000	st
10250333	Transistor BC-327/25 (pnp)	2.0000	st
10250328	Transistor BC-546B (nnp)	3.0000	st
10350517	Weerstand 0E 5% 1/4W	81.0000	st
10350765	Weerstand 1M0 5% 1/4W	1.0000	st
10350729	Weerstand 1k0 5% 1/4W	3.0000	st
10350734	Weerstand 2k7 5% 1/4W	1.0000	st
10350736	Weerstand 3k9 5% 1/4W	5.0000	st
10350737	Weerstand 4k7 5% 1/4W	9.0000	st
10350705	Weerstand 10E 5% 1/4W	4.0000	st
10350776	Weerstand 10M0 5% 1/4W	6.0000	st
10350741	Weerstand 10k 5% 1/4W	22.0000	st
10351741	Weerstand 10k 1/8W 5%	6.0000	st
10350743	Weerstand 15k 5% 1/4W	6.0000	st
10350856	Weerstand 20k0 1% 1/4W	2.0000	st
10350745	Weerstand 22k 5% 1/4W	2.0000	st
10350747	Weerstand 33k 5% 1/4W	1.0000	st
10350749	Weerstand 47k 5% 1/4W	4.0000	st
10350753	Weerstand 100K 5% 1/4W	5.0000	st
10350761	Weerstand 470k 5% 1/4W	1.0000	st
10350763	Weerstand 680k 5% 1/4W	1.0000	st
10250362	Zenerdiode 4V7 / 400mW	1.0000	st
10101012	Achterplaat Vision 12b (ster.)	1.0000	st
10600171	Conn: 3p wired: 1=blck/grn/red	2.0000	st
10450153	Deksel SiFam 11mm black/5bulk	1.0000	st
10450182	Deksel SiFam 11mm blue bulk	1.0000	st
10450195	Deksel SiFam 11mm gray bulk	4.0000	st
10450194	Deksel SiFam 11mm green bulk	1.0000	st
10450152	Deksel SiFam 11mm red/7 bulk	2.0000	st
10300090	Fader JP 100mm stereo 10KA	1.0000	st
10101004	Front Vision 4a (ster standrd)	1.0000	st
10450251	Knop Druktoets 3.3 black-squar	1.0000	st
10450197	Knop Druktoets 3.3 grey-rectan	1.0000	st
10450253	Knop Druktoets 3.3 grey-square	4.0000	st

10450196	Knop Druktoets 3.3 red-rectang	1.0000	st
10450082	Knop Fader SiFam white (1.2x8)	1.0000	st
10450103	Knop SiFam grey splined(11mm)	9.0000	st
10250386	Led 3mm green round	1.0000	st
10250387	Led 3mm red round	1.0000	st
20851004	Print bestukt Vision 4 (sterS)	1.0000	st
10700786	Tapitie M3x5 verzkop/pozid/rzw	2.0000	st

60882713 Vision stereo-luxe ch pcb3			
Articlecode	Description	Quantity	Unit
10400213	Condensator ker 10p R2.5	8.0000	st
10400216	Condensator ker 18p R2.5	4.0000	st
10401241	Condensator ker 100nF/50V R5 T	13.0000	st
10401247	Condensator poly 1n5 R5.0	2.0000	st
10401268	Condensator poly 1uF R5.0	1.0000	st
10401248	Condensator poly 2n2 R5.0	2.0000	st
10401249	Condensator poly 3n3 R5.0	2.0000	st
10401253	Condensator poly 10n R5.0	1.0000	st
10400277	Condensator poly 22n R5.0	5.0000	st
10401258	Condensator poly 47n R5.0	2.0000	st
10400279	Elco 1uF / 63V radiaal R5.0	5.0000	st
10400287	Elco 47uF / 25V radiaal R5.0	2.0000	st
10400292	Elco 100uF / 25V radiaal R5.0	14.0000	st
10400280	Elco 2.2uF / 50V radiaal R5.0	4.0000	st
10400290	Elco 220uF / 25V radiaal R5.0	4.0000	st
10250338	Fet J112 (N-channel switch)	2.0000	st
10250017	Fet J175 (P-channel switch)	4.0000	st
10600510	Header 2p Lock straightR 2.54	1.0000	st
10600511	Header 3p Lock straightR 2.54	3.0000	st
10600512	Header 4P lock straight(R2.54)	2.0000	st
10600141	Header haaks 64p (raster 2.54)	1.0000	st
10600478	Header recht 4p (raster 2.54)	8.0000	st
10600170	Header recht 4p female pcb	1.0000	st
10250307	Ic NE-5532 AP TI (dual-opamp)	1.0000	st
10250304	Ic TL-072 CP TI (dual-opamp)	3.0000	st
10250305	Ic TL-074 CN TI (quad-opamp)	1.0000	st
10250312	Ic UA-267 (led-driver)	1.0000	st
10600394	Ic-voet 8 pins (vork-contact)	4.0000	st
10600395	Ic-voet 14 pins (vork-contact)	1.0000	st
10600530	Jack chassis break (slimline)	5.0000	st
10300371	Potm.16 2x 10kB cn lin	1.0000	st
10300375	Potm.16 2x 50kA con	4.0000	st
10300373	Potm.16 2x100kB cn lin	5.0000	st
10201003	Print Vision 3D (stereo lux)	1.0000	st
10550400	Schakelaar Alps 2p-ns (2 x om)	9.0000	st
10550395	Schakelaar Alps 2p-ns (moment)	1.0000	st
10550401	Schakelaar Alps 4p-ns (4 x om)	3.0000	st
10600414	Shunt 2p (mini-jumper)	9.0000	st
10250333	Transistor BC-327/25 (pnp)	2.0000	st
10250328	Transistor BC-546B (nnp)	2.0000	st
10350765	Weerstand 1M0 5% 1/4W	1.0000	st
10350731	Weerstand 1k5 5% 1/4W	8.0000	st
10350732	Weerstand 1k8 5% 1/4W	6.0000	st
10350736	Weerstand 3k9 5% 1/4W	1.0000	st
10350737	Weerstand 4k7 5% 1/4W	11.0000	st
10350738	Weerstand 5k6 5% 1/4W	4.0000	st
10350740	Weerstand 8k2 5% 1/4W	2.0000	st
10350705	Weerstand 10E 5% 1/4W	5.0000	st
10350776	Weerstand 10M0 5% 1/4W	6.0000	st
10350741	Weerstand 10k 5% 1/4W	28.0000	st
10351741	Weerstand 10k 1/8W 5%	10.0000	st
10350742	Weerstand 12k 5% 1/4W	4.0000	st
10350856	Weerstand 20k0 1% 1/4W	2.0000	st
10350745	Weerstand 22k 5% 1/4W	2.0000	st
10350747	Weerstand 33k 5% 1/4W	3.0000	st
10350863	Weerstand 34k8 1% 1/4W	2.0000	st
10350749	Weerstand 47k 5% 1/4W	2.0000	st
10350799	Weerstand 90k9 1% 1/4W	1.0000	st
10350717	Weerstand 100E 5% 1/4W	1.0000	st
10350753	Weerstand 100K 5% 1/4W	14.0000	st
10350756	Weerstand 180K 5% 1/4W	4.0000	st
10350761	Weerstand 470k 5% 1/4W	1.0000	st
10350763	Weerstand 475k 1% 1/4W	1.0000	st
10350876	Weerstand 680k 5% 1/4W	1.0000	st
10250362	Zenerdiode 4V7 / 400mW	1.0000	st
10101012	Achterplaat Vision 12b (ster.)	1.0000	st
10600171	Conn: 3p wired: 1=blck/grn/red	2.0000	st
10450151	Deksel SiFam 11mm Hopsack/117	1.0000	st

# D&R Electronica Weesp BV (VISION PARTLIST) DATE: 04-05-1998

## 60882713 Vision stereo-luxe ch pcb3

Articlecode	Description	Quantity	Unit
10450153	Deksel SiFam 11mm black/5bulk	3.0000	st
10450182	Deksel SiFam 11mm blue bulk	1.0000	st
10450195	Deksel SiFam 11mm gray bulk	2.0000	st
10450152	Deksel SiFam 11mm red/7 bulk	1.0000	st
10300090	Fader JP 100mm stereo 10KA	1.0000	st
10101003	Front Vision 3a (stereo lux)	1.0000	st
10450251	Knop Druktoets 3.3 black-squar	1.0000	st
10450197	Knop Druktoets 3.3 grey-rectan	1.0000	st
10450253	Knop Druktoets 3.3 grey-square	9.0000	st
10450196	Knop Druktoets 3.3 red-rectang	1.0000	st
10450252	Knop Druktoets 3.3 red-square	1.0000	st
10450082	Knop Fader SiFam white (1.2x8)	1.0000	st
10450101	Knop SiFam grey Alps(bot15mm)	4.0000	st
10450100	Knop SiFam grey spli(top11mm)	4.0000	st
10450103	Knop SiFam grey splined(11mm)	6.0000	st
10250386	Led 3mm green round	6.0000	st
10250387	Led 3mm red round	2.0000	st
20851003	Print bestukt Vision 3 stereo	1.0000	st
10700786	Taptite M3x6 verzkop/pozidr/zw	2.0000	st

## 60882715 Vision dual line ch pcb5

Articlecode	Description	Quantity	Unit
10400213	Condensator ker 10p R2.5	12.0000	st
10400216	Condensator ker 18p R2.5	2.0000	st
10401241	Condensator ker 100nF/50V R5 T	16.0000	st
10401268	Condensator poly 1uF R5.0	2.0000	st
10401249	Condensator poly 3n3 R5.0	2.0000	st
10401251	Condensator poly 6n8 R5.0	4.0000	st
10401253	Condensator poly 10n R5.0	4.0000	st
10401258	Condensator poly 47n R5.0	4.0000	st
10400292	Elco 100uF / 25V radiaal R5.0	22.0000	st
10400280	Elco 2.2uF / 50V radiaal R5.0	2.0000	st
10400290	Elco 220uF / 25V radiaal R5.0	4.0000	st
10250338	Fet J112 (N-channel switch)	2.0000	st
10250017	Fet J175 (P-channel switch)	4.0000	st
10600510	Header 2p Lock straight(R.2.54)	2.0000	st
10600511	Header 3p Lock straight(R.2.54)	4.0000	st
10600512	Header 4p lock straight(R2.54)	1.0000	st
10600141	Header haaks 64p (raster 2.54)	1.0000	st
10600478	Header recht 4p (raster 2.54)	5.0000	st
10250304	Ic TL-072 CP TI (dual-opamp)	5.0000	st
10250305	Ic TL-074 CN TI (quad-opamp)	2.0000	st
10600394	Ic-voet 8 pins (vork-contact)	5.0000	st
10600395	Ic-voet 14 pins (vork-contact)	2.0000	st
10600530	Jack chassis break (slimline)	4.0000	st
10300388	Potm.16 20KB/20KB (lin) conc	1.0000	st
10300371	Potm.16 2x 10kB cn lin	2.0000	st
10300373	Potm.16 2x 50kA con	4.0000	st
10300381	Potm.16 2x100kC/1x 10kB cn con	6.0000	st
10201005	Print Vision 5A (dual line)	1.0000	st
10550205	Schakelaar Alps 2p mini MOMENT	2.0000	st
10550414	Schakelaar Alps 2pole mini NS	6.0000	st
10550415	Schakelaar Alps 4pole mini NS	6.0000	st
10600414	Shunt 2p (mini-jumper)	6.0000	st
10250333	Transistor BC-327/25 (pnp)	4.0000	st
10350517	Weerstand 0E 5% 1/4W	10.0000	st
10350765	Weerstand 1M0 5% 1/4W	2.0000	st
10350729	Weerstand 1k0 5% 1/4W	4.0000	st
10350731	Weerstand 1k5 5% 1/4W	4.0000	st
10350733	Weerstand 2k2 5% 1/4W	4.0000	st
10350736	Weerstand 3k9 5% 1/4W	6.0000	st
10350737	Weerstand 4k7 5% 1/4W	11.0000	st
10351737	Weerstand 4k7 1/8W 5%	1.0000	st
10350739	Weerstand 6k8 5% 1/4W	1.0000	st
10351739	Weerstand 6k8 1/8W 5%	1.0000	st
10350705	Weerstand 10E 5% 1/4W	4.0000	st
10350776	Weerstand 10M0 5% 1/4W	6.0000	st
10351741	Weerstand 10k 1/8W 5%	48.0000	st
10350747	Weerstand 33k 5% 1/4W	2.0000	st
10350713	Weerstand 47E 5% 1/4W	2.0000	st
10350749	Weerstand 47k 5% 1/4W	10.0000	st
10351749	Weerstand 47k 1/8W 5%	4.0000	st
10350753	Weerstand 100K 5% 1/4W	6.0000	st
10351753	Weerstand 100k 1/8W 5%	2.0000	st
10350761	Weerstand 470k 5% 1/4W	2.0000	st
10350763	Weerstand 680k 5% 1/4W	2.0000	st
10250362	Zenerdiode 4V7 / 400mW	2.0000	st
10101055	Achterplaat Vision 50a(dual.)	1.0000	st
10600171	Conn. 3p wired: 1=blck/grn/red	2.0000	st
10450153	Deksel SiFam 11mm black/5bulk	2.0000	st
10450182	Deksel SiFam 11mm blue bulk	2.0000	st
10450195	Deksel SiFam 11mm gray bulk	4.0000	st

10450194	Deksel SiFam 11mm green bulk	2.0000	st
10450152	Deksel SiFam 11mm red/7 bulk	1.0000	st
10300091	Fader JP 51MM ST SV5102S20AU	2.0000	st
10101005	Front Vision 5B (dual line)	1.0000	st
10700625	Kartelring M 3 (buitenvertan)	4.0000	st
10700684	Kartelring M 10 (buitenvertan)	10.0000	st
10450209	Knop Druktoets 2.8 black-squar	5.0000	st
10450211	Knop Druktoets 2.8 grey-rectan	2.0000	st
10450208	Knop Druktoets 2.8 grey-square	4.0000	st
10450212	Knop Druktoets 2.8 red -rectan	2.0000	st
10450210	Knop Druktoets 2.8 red-square	1.0000	st
10450082	Knop Fader SiFam white (1.2x8)	2.0000	st
10450101	Knop SiFam grey Alps(bot15mm)	11.0000	st
10450100	Knop SiFam grey spli(top11mm)	11.0000	st
10450103	Knop SiFam grey splined(11mm)	2.0000	st
10250386	Led 3mm green round	2.0000	st
10250387	Led 3mm red round	2.0000	st
20851005	Print bestukt Vision 5 (dualL)	1.0000	st
10700790	Taptite M3x6 verzkop/pozidr/zw	4.0000	st

## 60882716 Vision group module pcb 7

Articlecode	Description	Quantity	Unit
10400213	Condensator ker 10p R2.5	6.0000	st
10400216	Condensator ker 18p R2.5	8.0000	st
10400221	Condensator ker 47p R2.5	2.0000	st
10401241	Condensator ker 100nF/50V R5 T	16.0000	st
10401268	Condensator poly 1uF R5.0	2.0000	st
10401253	Condensator poly 10n R5.0	2.0000	st
10401258	Condensator poly 47n R5.0	2.0000	st
10401245	Condensator poly 680p R5.0	2.0000	st
10250342	Diode 1N4148 (signaal)	2.0000	st
10400284	Elco 10uF / 40V radiaal R5.0	2.0000	st
10400287	Elco 47uF / 25V radiaal R5.0	1.0000	st
10400292	Elco 100uF / 25V radiaal R5.0	23.0000	st
10400280	Elco 2.2uF / 50V radiaal R5.0	2.0000	st
10250017	Fet J175 (P-channel switch)	2.0000	st
10600510	Header 2p Lock straight(R.2.54)	2.0000	st
10600512	Header 4P lock straight(R2.54)	3.0000	st
10600456	Header haaks 20p (raster 2.54)	1.0000	st
10600141	Header haaks 64p (raster 2.54)	1.0000	st
10600478	Header recht 4p (raster 2.54)	10.0000	st
10600438	Header recht 16p nobox(R.2.54)	2.0000	st
10250375	Ic BA683A (led-driver)	2.0000	st
10250307	Ic NE-5532 AP TI (dual-opamp)	3.0000	st
10250304	Ic TL-072 CP TI (dual-opamp)	3.0000	st
10600394	Ic-voet 8 pins (vork-contact)	6.0000	st
10600397	Ic-voet 18 pins (vork-contact)	2.0000	st
10300166	Instelpot 10-turn 22k (T18)	2.0000	st
10300150	Instelpot 10-turn 500E (T18)	2.0000	st
10600530	Jack chassis break (slimline)	6.0000	st
10300385	Potm.16 1x 100KB cn lin	4.0000	st
10300377	Potm.16 2x 10kB cn/1x10KA conc	2.0000	st
10300373	Potm.16 2x 50kA con	2.0000	st
10201007	Print Vision 7B (group)	1.0000	st
10201015	Print Vision70A (13 seg ldbar)	1.0000	st
10550400	Schakelaar Alps 2p-ns (2 x om)	4.0000	st
10550395	Schakelaar Alps 2p-ns (moment)	2.0000	st
10550401	Schakelaar Alps 4p-ns (4 x om)	2.0000	st
10600414	Shunt 2p (mini-jumper)	10.0000	st
10250333	Transistor BC-327/25 (pnp)	4.0000	st
10350517	Weerstand 0E 5% 1/4W	4.0000	st
10350765	Weerstand 1M0 5% 1/4W	4.0000	st
10350729	Weerstand 1M0 5% 1/4W	2.0000	st
10350703	Weerstand 2E2 5% 1/4W	2.0000	st
10350735	Weerstand 3k3 5% 1/4W	1.0000	st
10350736	Weerstand 3k9 5% 1/4W	7.0000	st
10350734	Weerstand 4E7 5% 1/4W	2.0000	st
10350707	Weerstand 4k7 5% 1/4W	2.0000	st
10350738	Weerstand 5k6 5% 1/4W	4.0000	st
10350739	Weerstand 6k8 5% 1/4W	4.0000	st
10350740	Weerstand 8k2 5% 1/4W	2.0000	st
10350741	Weerstand 10k 5% 1/4W	34.0000	st
10350742	Weerstand 12k 5% 1/4W	4.0000	st
10350743	Weerstand 15k 5% 1/4W	4.0000	st
10350853	Weerstand 15k8 1% 1/4W	4.0000	st
10350744	Weerstand 18k 5% 1/4W	2.0000	st
10350745	Weerstand 22k 5% 1/4W	4.0000	st
10350747	Weerstand 33k 5% 1/4W	4.0000	st
10350713	Weerstand 47E 5% 1/4W	2.0000	st

# D&R Electronica Weesp BV (VISION PARTLIST) DATE: 04-05-1998

60882716 Vision group module pcb 7

Articlecode	Description	Quantity	Unit
10350749	Weerstand 47k 5% 1/4W	6.0000	st
10350715	Weerstand 68E 5% 1/4W	4.0000	st
10350751	Weerstand 68k 5% 1/4W	2.0000	st
10350753	Weerstand 100K 5% 1/4W	6.0000	st
10350758	Weerstand 270k 5% 1/4W	2.0000	st
10351761	Weerstand 470k 1/8W 5%	2.0000	st
10350763	Weerstand 680k 5% 1/4W	2.0000	st
10250362	Zenerdiode 4V7 / 400mW	2.0000	st
10250365	Zenerdiode 22V / 400mW	8.0000	st
10101014	Achterplaat Vision14a (group)	1.0000	st
10700929	Bout M 3 x 20 rvs	1.0000	st
10600169	Conn: 4p wired:1=blk/grn/rd/bl	3.0000	st
10450151	Deksel SiFam 11mm Hopsack/117	2.0000	st
10450153	Deksel SiFam 11mm black/5bulk	2.0000	st
10450195	Deksel SiFam 11mm gray bulk	4.0000	st
10300089	Fader JP 100mm mono 10KA	2.0000	st
10101007	Front Vision 7a (group)	1.0000	st
10700625	Kartelring M 3 (buitenvertan)	2.0000	st
10450197	Knop Druktoets 3.3 grey-rectan	2.0000	st
10450253	Knop Druktoets 3.3 grey-square	2.0000	st
10450196	Knop Druktoets 3.3 red-rectang	2.0000	st
10450252	Knop Druktoets 3.3 red-square	2.0000	st
10450011	Knop Fader SiFam red (1.2x8)	2.0000	st
10450101	Knop SiFam grey Alps(bot15mm)	4.0000	st
10450100	Knop SiFam grey spli(top11mm)	4.0000	st
10450103	Knop SiFam grey splined(11mm)	4.0000	st
10250386	Led 3mm green round	2.0000	st
10250387	Led 3mm red round	2.0000	st
10250393	Led 5x2mm ORANGE 1"lead	6.0000	st
10250391	Led 5x2mm green (BRIGHT)	18.0000	st
10250392	Led 5x2mm red (BRIGHT)	2.0000	st
10700610	Moer M 3	2.0000	st
10700690	Platstaf 25 x 10 x 10mm	2.0000	st
10700611	Popnagel 3.0 x 6.5 blank	3.0000	st
20851007	Print bestukt Vision 7 (group)	1.0000	st
20851014	Print bestukt Vision 70 ldbar	1.0000	st
10700786	Tapitie M3x5 verzkop/pozidrz/w	6.0000	st

60882717 Vision matrix module pcb 6

Articlecode	Description	Quantity	Unit
10400216	Condensator ker 18p R2.5	8.0000	st
10401241	Condensator ker 100nF/50V R5 T	10.0000	st
10401268	Condensator poly 1uF R5.0	2.0000	st
10401253	Condensator poly 10n R5.0	2.0000	st
10400277	Condensator poly 22n R5.0	2.0000	st
10250342	Diode 1N4148 (signaal)	2.0000	st
10400292	Elco 100uF / 25V radiaal R5.0	18.0000	st
10400290	Elco 220uF / 25V radiaal R5.0	4.0000	st
10250338	Fet J112 (N-channel switch)	2.0000	st
10250017	Fet J175 (P-channel switch)	2.0000	st
10600510	Header 2p Lock straightR 2.54	2.0000	st
10600512	Header 4P lock straight(R2.54)	2.0000	st
10600456	Header haaks 20p (raster 2.54)	1.0000	st
10600141	Header haaks 64p (raster 2.54)	1.0000	st
10250182	Ic SSM-2142 P (balanced out)	2.0000	st
10250304	Ic TL-072 CP TI (dual-opamp)	3.0000	st
10600394	Ic-voet 8 pins (vork-contact)	5.0000	st
10600530	Jack chassis break (slimline)	2.0000	st
10300380	Potm.16 1x 50kA log	22.0000	st
10201006	Print Vision 6A (matrix )	1.0000	st
10550400	Schakelaar Alps 2p-ns (2 x om)	2.0000	st
10550395	Schakelaar Alps 2p-ns (moment)	2.0000	st
10250333	Transistor BC-327/25 (pnp)	4.0000	st
10350765	Weerstand 1M0 5% 1/4W	2.0000	st
10350835	Weerstand 2k00 1% 1/4W	4.0000	st
10350736	Weerstand 3k9 5% 1/4W	2.0000	st
10350737	Weerstand 4k7 5% 1/4W	2.0000	st
10350804	Weerstand 10E 1% 1/4W	4.0000	st
10350776	Weerstand 10M0 5% 1/4W	4.0000	st
10350741	Weerstand 10k 5% 1/4W	4.0000	st
10350853	Weerstand 15k8 1% 1/4W	10.0000	st
10350745	Weerstand 22k 5% 1/4W	2.0000	st
10350747	Weerstand 33k 5% 1/4W	2.0000	st
10350863	Weerstand 34k8 1% 1/4W	2.0000	st
10350749	Weerstand 47k 5% 1/4W	28.0000	st
10350753	Weerstand 100K 5% 1/4W	2.0000	st
10350761	Weerstand 470k 5% 1/4W	2.0000	st
10350763	Weerstand 680k 5% 1/4W	2.0000	st
10250362	Zenerdiode 4V7 / 400mW	2.0000	st
10101060	Achterplaat Vision 60a(matrix)	1.0000	st
10600173	Conn: 3p wrd:402-03*20cm 2.5T	2.0000	st
10450182	Deksel SiFam 11mm blue bulk	4.0000	st

10450195	Deksel SiFam 11mm gray bulk	16.0000	st
10450152	Deksel SiFam 11mm red/7 bulk	2.0000	st
10101006	Front Vision 6a (matrix)	1.0000	st
10500004	Isolatiekous 4.0mm rond (grys)	30.0000	cm
10450197	Knop Druktoets 3.3 grey-rectan	2.0000	st
10450196	Knop Druktoets 3.3 red-rectang	2.0000	st
10450103	Knop SiFam grey splined(11mm)	22.0000	st
10500683	Krimpkous 3.2mm RNF-100 1/8"zw	6.0000	cm
10250386	Led 3mm green round	2.0000	st
10250387	Led 3mm red round	2.0000	st
10700690	Platstaf 25 x 10 x 10mm	2.0000	st
10700611	Popnagel 3.0 x 6.5 blank	4.0000	st
10700606	Popnagel 3x7 zwart ano alu/sta	4.0000	st
20851006	Print bestukt Vision 6 (matri)	1.0000	st
10700786	Tapitie M3x5 verzkop/pozidrz/w	2.0000	st
10600423	XLR chass mal 3p pl.zw s	2.0000	st

60882718 Vision blindset

Articlecode	Description	Quantity	Unit
10101018	Achterplaat Vision18a (blind)	1.0000	st
10101010	Front Vision10a (blind)	1.0000	st

60882720 Vision MIDI 1-32

Articlecode	Description	Quantity	Unit
10400217	Condensator ker 22p R2.5	2.0000	st
10401241	Condensator ker 100nF/50V R5 T	11.0000	st
10250342	Diode 1N4148 (signaal)	10.0000	st
10400284	Elco 10uF / 40V radiaal R5.0	1.0000	st
10400280	Elco 2.2uF / 50V radiaal R5.0	1.0000	st
10400294	Elco 470uF / 25V radiaal R5.0	2.0000	st
10250270	Fet BST76a /BS107 (Nch switch)	2.0000	st
10600509	Header 20P Straight	2.0000	st
10600510	Header 2p Lock straightR 2.54	39.0000	st
10600511	Header 3p Lock straightR 2.54	3.0000	st
10600140	Header haaks 34p (raster 2.54)	1.0000	st
10600513	Header recht 5p lock (R 2.54)	1.0000	st
10250026	Ic 27C512-10 EPROM 64K 100ns	1.0000	st
10250109	Ic 40109 (volt.level shifter)	2.0000	st
10250067	Ic 4067 (16 ch.analog multip.)	4.0000	st
10250014	Ic 4N27 (opto-coupler)	1.0000	st
10250039	Ic 62C256 (8 bit 32k ram)	1.0000	st
10250034	Ic 74HC132 (quad 2inp.schmitt)	2.0000	st
10250033	Ic 74HC573 (octal-D latch)	1.0000	st
10250060	Ic 74LS07 (hex buffer driver)	1.0000	st
10250291	Ic 7805 TO220 SGS (volt.reg)	1.0000	st
10250036	Ic 80C552 (8-bit micro-comptr)	1.0000	st
10250316	Ic LM-339 (comparator)	2.0000	st
10250038	Ic SN75176 (diff bus transcvr)	1.0000	st
10600394	Ic-voet 8 pins (vork-contact)	1.0000	st
10600395	Ic-voet 14 pins (vork-contact)	5.0000	st
10600396	Ic-voet 16 pins (vork-contact)	2.0000	st
10600398	Ic-voet 20 pins (vork-contact)	1.0000	st
10600399	Ic-voet 24 pins (vork-contact)	4.0000	st
10600401	Ic-voet 28 pins (vork-contact)	3.0000	st
10600403	Ic-voet 68 pins (PLCC Socket)	1.0000	st
10720662	Koelprof KL-169/SW TO-220	1.0000	st
10250395	Kristal 6.00 Mhz	1.0000	st
10201051	Print Midi Mute Control MMC-2b	1.0000	st
10600414	Shunt 2p (mini-jumper)	6.0000	st
10250361	Transistor BD-238 (pnp)	1.0000	st
10350701	Weerstand 1E0 5% 1/4W	2.0000	st
10351765	Weerstand 1M0 1/8W 5%	8.0000	st
10350729	Weerstand 1k0 5% 1/4W	2.0000	st
10350733	Weerstand 2k2 5% 1/4W	2.0000	st
10350735	Weerstand 3k3 5% 1/4W	1.0000	st
10350704	Weerstand 4E7 5% 1/4W	1.0000	st
10350737	Weerstand 4k7 5% 1/4W	1.0000	st
10350705	Weerstand 10E 5% 1/4W	1.0000	st
10351741	Weerstand 10k 1/8W 5%	8.0000	st
10350713	Weerstand 47E 5% 1/4W	1.0000	st
10350787	Weerstand 47E 5W	1.0000	st
10350749	Weerstand 47k 5% 1/4W	6.0000	st
10350788	Weerstand 68E 5W	1.0000	st
10350717	Weerstand 100E 5% 1/4W	2.0000	st
10350753	Weerstand 100K 5% 1/4W	8.0000	st

# D&R Electronica Weesp BV (VISION PARTLIST) DATE: 04-05-1998

## 60882720 Vision MIDI 1-32

Articlecode	Description	Quantity	Unit
10350721	Weerstand 220E 5% 1/4W	5.0000	st
10350758	Weerstand 270k 5% 1/4W	1.0000	st
10250340	Zenerdiode 2V4 / 400mW	1.0000	st
10250352	Zenerdiode 8V2 / 400mW	1.0000	st
10700650	Afstandstift PCB 11mm wit	4.0000	st
10650159	Bandkabel 34p (R 1.27)	30.0000	cm
10950480	Batterij 1.5 Volt (penlightAA)	3.0000	st
10600005	Batterij clip 9V	1.0000	st
10150942	Battery-vak F006C(voor 3 x1.5)	1.0000	st
10600160	Conn 2p wired 1=black 2=green	33.0000	st
10600163	Connector 2p(2.54)	33.0000	st
10600132	Connector bandkabel female 34p	2.0000	st
10600465	Connector krimpcontact 2.54	66.0000	st
10500004	Isolatiekous 4.0mm rond (grys)	10.0000	cm
20851051	Print bestukt Midi Mute MMC2	1.0000	st
10700786	Taptite M3x5 verzkop/pozidrl/zw	2.0000	st

## 60882721 Vision Midi 1-64

Articlecode	Description	Quantity	Unit
10400217	Condensator ker 22p R2.5	2.0000	st
10401241	Condensator ker 100nF/50V R5 T	11.0000	st
10250342	Diode 1N4148 (signaal)	10.0000	st
10400284	Elco 10uF / 40V radiaal R5.0	1.0000	st
10400280	Elco 2.2uF / 50V radiaal R5.0	1.0000	st
10400294	Elco 470uF / 25V radiaal R5.0	2.0000	st
10250270	Fet BS176a /BS107 (Nch switch)	2.0000	st
10600509	Header 20P Straight	3.0000	st
10600510	Header 2p Lock straightR 2.54	71.0000	st
10600511	Header 3p Lock straightR 2.54	3.0000	st
10600140	Header haaks 34p (raster 2.54)	1.0000	st
10600513	Header recht 5p lock (R 2.54)	1.0000	st
10250026	Ic 27C512-10 EPROM 64K 100ns	1.0000	st
10250109	Ic 40109 (volt.level shifter)	2.0000	st
10250067	Ic 4067 (16 ch.analog multip.)	8.0000	st
10250014	Ic 4N27 (opto-coupler)	1.0000	st
10250039	Ic 62C256 (8 bit 32k ram)	1.0000	st
10250034	Ic 74HC132 (quad 2inp.schmitt)	2.0000	st
10250033	Ic 74HC573 (octal-D latch)	1.0000	st
10250060	Ic 74LS07 (hex buffer driver)	1.0000	st
10250291	Ic 7805 TO220 SGS (volt.reg)	1.0000	st
10250036	Ic 80C552 (8-bit micro-comptr)	1.0000	st
10250316	Ic LM-339 (comparator)	2.0000	st
10250038	Ic SN75176 (diff bus transcvr)	1.0000	st
10600394	Ic-voet 8 pins (vork-contact)	1.0000	st
10600395	Ic-voet 14 pins (vork-contact)	5.0000	st
10600396	Ic-voet 16 pins (vork-contact)	2.0000	st
10600398	Ic-voet 20 pins (vork-contact)	1.0000	st
10600399	Ic-voet 24 pins (vork-contact)	8.0000	st
10600401	Ic-voet 28 pins (vork-contact)	3.0000	st
10600403	Ic-voet 68 pins (PLCC Socket)	1.0000	st
10720662	Koelprof KL-169/SW TO-220	1.0000	st
10250395	Kristal 6.00 Mhz	1.0000	st
10201051	Print Midi Mute Control MMC-2b	1.0000	st
10201053	Print Midi Mute MMC-3a	1.0000	st
10600414	Shunt 2p (mini-jumper)	6.0000	st
10250361	Transistor BD-238 (pnp)	1.0000	st
10350517	Weerstand 0E 5% 1/4W	2.0000	st
10350701	Weerstand 1E0 5% 1/4W	2.0000	st
10351765	Weerstand 1M0 1/8W 5%	8.0000	st
10350729	Weerstand 1k0 5% 1/4W	2.0000	st
10350733	Weerstand 2k2 5% 1/4W	2.0000	st
10350735	Weerstand 3k3 5% 1/4W	1.0000	st
10350704	Weerstand 4E7 5% 1/4W	1.0000	st
10350737	Weerstand 4k7 5% 1/4W	1.0000	st
10350705	Weerstand 10E 5% 1/4W	1.0000	st
10350741	Weerstand 10k 5% 1/4W	4.0000	st
10351741	Weerstand 10k 1/8W 5%	8.0000	st
10350713	Weerstand 47E 5% 1/4W	1.0000	st
10350787	Weerstand 47E 5W	1.0000	st
10350749	Weerstand 47k 5% 1/4W	6.0000	st
10350788	Weerstand 68E 5W	1.0000	st
10350717	Weerstand 100E 5% 1/4W	2.0000	st
10350753	Weerstand 100K 5% 1/4W	8.0000	st
10350721	Weerstand 220E 5% 1/4W	5.0000	st
10350758	Weerstand 270k 5% 1/4W	1.0000	st
10250340	Zenerdiode 2V4 / 400mW	1.0000	st
10250352	Zenerdiode 8V2 / 400mW	1.0000	st
10700650	Afstandstift PCB 11mm wit	8.0000	st
10650448	Bandkabel 20p (R 1.27)	10.0000	cm
10650159	Bandkabel 34p (R 1.27)	30.0000	cm
10950480	Batterij 1.5 Volt (penlightAA)	3.0000	st
10600005	Batterij clip 9V	1.0000	st

10150942	Battery-vak F006C(voor 3 x1.5)	1.0000	st
10600160	Conn 2p wired 1=black 2=green	65.0000	st
10600163	Connector 2p(2.54)	65.0000	st
10600470	Connector bandkabel female 20p	2.0000	st
10600132	Connector bandkabel female 34p	2.0000	st
10600465	Connector krimpcontact 2.54	130.0000	st
10500004	Isolatiekous 4.0mm rond (grys)	10.0000	cm
20851051	Print bestukt Midi Mute MMC2	1.0000	st
20851053	Print bestukt Midi Mute MMC3	1.0000	st
10700786	Taptite M3x5 verzkop/pozidrl/zw	2.0000	st

## 60882722 Vision Midi 1-96

Articlecode	Description	Quantity	Unit
10400217	Condensator ker 22p R2.5	4.0000	st
10401241	Condensator ker 100nF/50V R5 T	22.0000	st
10250342	Diode 1N4148 (signaal)	20.0000	st
10400284	Elco 10uF / 40V radiaal R5.0	2.0000	st
10400280	Elco 2.2uF / 50V radiaal R5.0	2.0000	st
10400294	Elco 470uF / 25V radiaal R5.0	4.0000	st
10250270	Fet BS176a /BS107 (Nch switch)	4.0000	st
10600509	Header 20P Straight	5.0000	st
10600510	Header 2p Lock straightR 2.54	110.0000	st
10600511	Header 3p Lock straightR 2.54	6.0000	st
10600140	Header haaks 34p (raster 2.54)	2.0000	st
10600513	Header recht 5p lock (R 2.54)	2.0000	st
10250026	Ic 27C512-10 EPROM 64K 100ns	2.0000	st
10250109	Ic 40109 (volt.level shifter)	4.0000	st
10250067	Ic 4067 (16 ch.analog multip.)	12.0000	st
10250014	Ic 4N27 (opto-coupler)	2.0000	st
10250039	Ic 62C256 (8 bit 32k ram)	2.0000	st
10250034	Ic 74HC132 (quad 2inp.schmitt)	4.0000	st
10250033	Ic 74HC573 (octal-D latch)	2.0000	st
10250060	Ic 74LS07 (hex buffer driver)	2.0000	st
10250291	Ic 7805 TO220 SGS (volt.reg)	2.0000	st
10250036	Ic 80C552 (8-bit micro-comptr)	2.0000	st
10250316	Ic LM-339 (comparator)	4.0000	st
10250038	Ic SN75176 (diff bus transcvr)	2.0000	st
10600394	Ic-voet 8 pins (vork-contact)	2.0000	st
10600395	Ic-voet 14 pins (vork-contact)	10.0000	st
10600396	Ic-voet 16 pins (vork-contact)	4.0000	st
10600398	Ic-voet 20 pins (vork-contact)	2.0000	st
10600399	Ic-voet 24 pins (vork-contact)	12.0000	st
10600401	Ic-voet 28 pins (vork-contact)	6.0000	st
10600403	Ic-voet 68 pins (PLCC Socket)	2.0000	st
10720662	Koelprof KL-169/SW TO-220	2.0000	st
10250395	Kristal 6.00 Mhz	2.0000	st
10201051	Print Midi Mute Control MMC-2b	2.0000	st
10201053	Print Midi Mute MMC-3a	1.0000	st
10600414	Shunt 2p (mini-jumper)	12.0000	st
10250361	Transistor BD-238 (pnp)	2.0000	st
10350517	Weerstand 0E 5% 1/4W	2.0000	st
10350701	Weerstand 1E0 5% 1/4W	4.0000	st
10351765	Weerstand 1M0 1/8W 5%	16.0000	st
10350729	Weerstand 1k0 5% 1/4W	4.0000	st
10350733	Weerstand 2k2 5% 1/4W	4.0000	st
10350735	Weerstand 3k3 5% 1/4W	2.0000	st
10350704	Weerstand 4E7 5% 1/4W	2.0000	st
10350737	Weerstand 4k7 5% 1/4W	2.0000	st
10350705	Weerstand 10E 5% 1/4W	2.0000	st
10350741	Weerstand 10k 5% 1/4W	16.0000	st
10351741	Weerstand 10k 1/8W 5%	2.0000	st
10350713	Weerstand 47E 5% 1/4W	2.0000	st
10350787	Weerstand 47E 5W	2.0000	st
10350749	Weerstand 47k 5% 1/4W	12.0000	st
10350788	Weerstand 68E 5W	2.0000	st
10350717	Weerstand 100E 5% 1/4W	4.0000	st
10350753	Weerstand 100K 5% 1/4W	16.0000	st
10350721	Weerstand 220E 5% 1/4W	10.0000	st
10350758	Weerstand 270k 5% 1/4W	2.0000	st
10250340	Zenerdiode 2V4 / 400mW	2.0000	st
10250352	Zenerdiode 8V2 / 400mW	2.0000	st
10700650	Afstandstift PCB 11mm wit	12.0000	st
10650448	Bandkabel 20p (R 1.27)	50.0000	cm
10650159	Bandkabel 34p (R 1.27)	30.0000	cm
10950480	Batterij 1.5 Volt (penlightAA)	3.0000	st
10600005	Batterij clip 9V	1.0000	st
10150942	Battery-vak F006C(voor 3 x1.5)	1.0000	st
10600160	Conn 2p wired 1=black 2=green	97.0000	st



# D&R Electronica Weesp BV (VISION PARTLIST) DATE: 04-05-1998

60882722 Vision Midi 1-96

Articlecode	Description	Quantity	Unit
10600163	Connector 2p(2.54)	97.0000	st
10600470	Connector bandkabel female 20p	4.0000	st
10600132	Connector bandkabel female 34p	2.0000	st
10600465	Connector krimpcontact 2.54	194.0000	st
20851051	Print bestukt Midi Mute MMC2	2.0000	st
20851053	Print bestukt Midi Mute MMC3	1.0000	st
10700787	Tapitie M3x6 bolkopozidr/zwr	2.0000	st

60882723 Vision Midi 1-128

Articlecode	Description	Quantity	Unit
10400217	Condensator ker 22p R2.5	4.0000	st
10401241	Condensator ker 100nF/50V R5 T	22.0000	st
10250342	Diode 1N4148 (signaal)	20.0000	st
10400284	Elco 10uF / 40V radiaal R5.0	2.0000	st
10400280	Elco 2.2uF / 50V radiaal R5.0	2.0000	st
10400294	Elco 470uF / 25V radiaal R5.0	4.0000	st
10250270	Fet BST76a /BS107 (Nch switch)	4.0000	st
10600509	Header 20P Straight	6.0000	st
10600510	Header 2p Lock straightR 2.54	142.0000	st
10600511	Header 3p Lock straightR 2.54	6.0000	st
10600140	Header haaks 34p (raster 2.54)	2.0000	st
10600513	Header recht 5p lock (R 2.54)	2.0000	st
10250026	Ic 27C512-10 EPROM 64K 100ns	2.0000	st
10250109	Ic 40109 (volt.level shifter)	4.0000	st
10250067	Ic 4067 (16 ch.analog multip.)	16.0000	st
10250014	Ic 4N27 (opto-coupler)	2.0000	st
10250039	Ic 62C256 (8 bit 32k ram)	2.0000	st
10250034	Ic 74HC132 (quad 2inp.schmitt)	4.0000	st
10250033	Ic 74HC573 (octal-D latch)	2.0000	st
10250060	Ic 74LS07 (hex buffer driver)	2.0000	st
10250291	Ic 7805 TO220 SGS (volt.reg)	2.0000	st
10250036	Ic 80C552 (8-bit micro-comptr)	2.0000	st
10250316	Ic LM-339 (comparator)	4.0000	st
10250038	Ic SN75176 (diff bus transcvr)	2.0000	st
10600394	Ic-voet 8 pins (vork-contact)	2.0000	st
10600395	Ic-voet 14 pins (vork-contact)	10.0000	st
10600396	Ic-voet 16 pins (vork-contact)	4.0000	st
10600398	Ic-voet 20 pins (vork-contact)	2.0000	st
10600399	Ic-voet 24 pins (vork-contact)	16.0000	st
10600401	Ic-voet 28 pins (vork-contact)	6.0000	st
10600403	Ic-voet 68 pins (PLCC Socket)	2.0000	st
10720662	Koelprof KL-169/SW TO-220	2.0000	st
10250395	Kristal 6.00 Mhz	2.0000	st
10201051	Print Midi Mute Control MMC-2b	2.0000	st
10201053	Print Midi Mute MMC-3a	2.0000	st
10600414	Shunt 2p (mini-jumper)	12.0000	st
10250361	Transistor BD-238 (pnp)	2.0000	st
10350517	Weerstand 0E 5% 1/4W	4.0000	st
10350701	Weerstand 1E7 5% 1/4W	4.0000	st
10351765	Weerstand 1M0 1/8W 5%	16.0000	st
10350729	Weerstand 1k0 5% 1/4W	4.0000	st
10350733	Weerstand 2k2 5% 1/4W	4.0000	st
10350735	Weerstand 3k3 5% 1/4W	2.0000	st
10350704	Weerstand 4E7 5% 1/4W	2.0000	st
10350737	Weerstand 4k7 5% 1/4W	2.0000	st
10350705	Weerstand 10E 5% 1/4W	2.0000	st
10350741	Weerstand 10k 5% 1/4W	8.0000	st
10351741	Weerstand 10k 1/8W 5%	16.0000	st
10350713	Weerstand 47E 5% 1/4W	2.0000	st
10350787	Weerstand 47E 5W	2.0000	st
10350749	Weerstand 47k 5% 1/4W	12.0000	st
10350788	Weerstand 68E 5W	2.0000	st
10350717	Weerstand 100E 5% 1/4W	4.0000	st
10350753	Weerstand 100K 5% 1/4W	16.0000	st
10350721	Weerstand 220E 5% 1/4W	10.0000	st
10350758	Weerstand 270K 5% 1/4W	2.0000	st
10250340	Zenerdiode 2V4 / 400mW	2.0000	st
10250352	Zenerdiode 8V2 / 400mW	2.0000	st
10700650	Afstandstift PCB 11mm wit	16.0000	st
10650448	Bandkabel 20p (R 1.27)	60.0000	cm
10650159	Bandkabel 34p (R 1.27)	30.0000	cm
10950480	Batterij 1.5 Volt (penlightAA)	3.0000	st
10600005	Batterij clip 9V	1.0000	st
10150942	Battery-vak F006C(voor 3 x1.5)	1.0000	st
10600160	Conn 2p wired 1=black 2=green	129.0000	st
10600163	Connector 2p(2.54)	129.0000	st
10600470	Connector bandkabel female 20p	6.0000	st
10600132	Connector bandkabel female 34p	2.0000	st
10600465	Connector krimpcontact 2.54	258.0000	st
20851051	Print bestukt Midi Mute MMC2	2.0000	st
20851053	Print bestukt Midi Mute MMC3	2.0000	st
10700787	Tapitie M3x6 bolkopozidr/zwr	2.0000	st

60882730 Vision 2xVU meterbridge

Articlecode	Description	Quantity	Unit
10400213	Condensator ker 10p R2.5	2.0000	st
10401241	Condensator ker 100nF/50V R5 T	4.0000	st
10400287	Elco 47uF / 25V radiaal R5.0	4.0000	st
10600512	Header 4P lock straight(R2.54)	4.0000	st
10250303	Ic TL-071 CN TI (single-opamp)	2.0000	st
10600394	Ic-voet 8 pins (vork-contact)	2.0000	st
10300200	Instelpot 25-turn 20k H T93YB	2.0000	st
10200030	Print VUD/a (VU-driver)	2.0000	st
10350736	Weerstand 3k9 5% 1/4W	2.0000	st
10350705	Weerstand 10E 5% 1/4W	4.0000	st
10350741	Weerstand 10k 5% 1/4W	2.0000	st
10700671	Bout M 4 x 10 inbus verz zwart	4.0000	st
10600166	Conn: 4p wired: 1=bl/gr/rd/blu	2.0000	st
10600111	Connector sub-D + kap mal 25p	1.0000	st
10100026	Front 9.5" VU-meter anal.2HE/b	1.0000	st
10500006	Isolatiekous 6.0mm rond (grys)	65.0000	cm
10500683	Krimpkous 3.2mm RNF-100 1/8"zw	12.0000	cm
20850130	Print bestukt VUD (VU-driver)	2.0000	st
10951001	VU meter AL29-WF / 24v lamp	2.0000	st
10650449	Bandkabel 25p (R 1.27)	40.0000	cm
10700671	Bout M 4 x 10 inbus verz zwart	8.0000	st
10600169	Conn: 4p wired:1=blk/grn/rd/bl	2.0000	st
10600113	Connector sub-D bandkb.fem 25p	1.0000	st
10600112	Connector sub-D bandkb.mal 25p	2.0000	st
10100013	Front 9.5" Blindplaat/c	2.0000	st
10150009	Kast Vu-meter 19"(opbouw)/b	1.0000	st
10100008	Montageplaat 9.5"	1.0000	st
10700616	Tapitie M3x10 bolkopozidr/zw.	8.0000	st
10700786	Tapitie M3x5 verzkop/pozidr/zw	8.0000	st
10700787	Tapitie M3x6 bolkopozidr/zwr	6.0000	st

60882731 Vision 4xVU meterbridge

Articlecode	Description	Quantity	Unit
10400213	Condensator ker 10p R2.5	4.0000	st
10401241	Condensator ker 100nF/50V R5 T	8.0000	st
10400287	Elco 47uF / 25V radiaal R5.0	8.0000	st
10600512	Header 4P lock straight(R2.54)	8.0000	st
10250303	Ic TL-071 CN TI (single-opamp)	4.0000	st
10600394	Ic-voet 8 pins (vork-contact)	4.0000	st
10300200	Instelpot 25-turn 20k H T93YB	4.0000	st
10200030	Print VUD/a (VU-driver)	4.0000	st
10350736	Weerstand 3k9 5% 1/4W	4.0000	st
10350705	Weerstand 10E 5% 1/4W	8.0000	st
10350741	Weerstand 10k 5% 1/4W	4.0000	st
10700671	Bout M 4 x 10 inbus verz zwart	8.0000	st
10600166	Conn: 4p wired: 1=bl/gr/rd/blu	4.0000	st
10600111	Connector sub-D + kap mal 25p	2.0000	st
10100026	Front 9.5" VU-meter anal.2HE/b	2.0000	st
10500006	Isolatiekous 6.0mm rond (grys)	130.0000	cm
10500683	Krimpkous 3.2mm RNF-100 1/8"zw	24.0000	cm
20850130	Print bestukt VUD (VU-driver)	4.0000	st
10951001	VU meter AL29-WF / 24v lamp	4.0000	st
10650449	Bandkabel 25p (R 1.27)	40.0000	cm
10700671	Bout M 4 x 10 inbus verz zwart	8.0000	st
10600174	Conn: 4p wired: 402-04/2*20cm	2.0000	st
10600169	Conn: 4p wired:1=blk/grn/rd/bl	2.0000	st
10600465	Connector krimpcontact 2.54	2.0000	st
10600110	Connector sub-D + kap fem 25p	1.0000	st
10600112	Connector sub-D bandkb.mal 25p	2.0000	st
10500005	Isolatiekous 5.0mm rond (grys)	50.0000	cm
10600007	Kabelschoen + boutgat M3 rood	8.0000	st
10700625	Kartelring M 3 (buitenvertan)	8.0000	st
10150039	Kast Vu-meter 19"(opbouw)/b	1.0000	st
10500683	Krimpkous 3.2mm RNF-100 1/8"zw	20.0000	cm
10700610	Moer M 3	8.0000	st
10700616	Tapitie M3x10 bolkopozidr/zw.	8.0000	st
10700786	Tapitie M3x5 verzkop/pozidr/zw	8.0000	st
10700787	Tapitie M3x6 bolkopozidr/zwr	14.0000	st
10700620	Zeskant tap SUB D + moer	2.0000	st

## D&R Electronica Weesp BV (VISION PARTLIST) DATE: 04-05-1998

### 60882732 Vision 6xVU meterbridge

Articlecode	Description	Quantity	Unit
10400213	Condensator ker 10p R2.5	6.0000	st
10401241	Condensator ker 100nF/50V R5 T	12.0000	st
10400287	Elco 47uF / 25V radiaal R5.0	12.0000	st
10600512	Header 4P lock straight(R2.54)	12.0000	st
10250303	Ic TL-071 CN TI (single-opamp)	6.0000	st
10600394	Ic-voet 8 pins (vork-contact)	6.0000	st
10300200	Instelpot 25-turn 20k H T93YB	6.0000	st
10200030	Print VUD/a (VU-driver)	6.0000	st
10350736	Weerstand 3k9 5% 1/4W	6.0000	st
10350705	Weerstand 10E 5% 1/4W	12.0000	st
10350741	Weerstand 10k 5% 1/4W	6.0000	st
10700671	Bout M 4 x 10 inbus verz zwart	12.0000	st
10600166	Conn: 4p wired: 1=bl/gr/rd/blu	6.0000	st
10600111	Connector sub-D + kap mal 25p	3.0000	st
10100026	Front 9.5" VU-meter anal.2HE/b	3.0000	st
10500006	Isolatiekous 6.0mm rond (grys)	195.0000	cm
10500683	Krimpous 3.2mm RNF-100 1/8"zw	36.0000	cm
20850130	Print bestukt VUD (VU-driver)	6.0000	st
10951001	VU meter AL29-WF / 24v lamp	6.0000	st
10650449	Bandkabel 25p (R 1.27)	40.0000	cm
10700671	Bout M 4 x 10 inbus verz zwart	16.0000	st
10600169	Conn: 4p wired:1=blk/grn/rd/bl	6.0000	st
10600113	Connector sub-D bandkb.fem 25p	1.0000	st
10600112	Connector sub-D bandkb.mal 25p	2.0000	st
10100013	Front 9.5" Blindplaat/c	2.0000	st
10150039	Kast Vu-meter 19"(opbouw)/b	2.0000	st
10100008	Montageplaat 9.5"	1.0000	st
10700616	Tapitite M3x10 bolkopozidr/zw.	16.0000	st
10700786	Tapitite M3x5 verzkop/pozidr/zw	8.0000	st
10700787	Tapitite M3x6 bolkopozidr/zwrt	12.0000	st

### 60882733 Vision 8xVU meterbridge

Articlecode	Description	Quantity	Unit
10400213	Condensator ker 10p R2.5	8.0000	st
10401241	Condensator ker 100nF/50V R5 T	16.0000	st
10400287	Elco 47uF / 25V radiaal R5.0	16.0000	st
10600512	Header 4P lock straight(R2.54)	16.0000	st
10250303	Ic TL-071 CN TI (single-opamp)	8.0000	st
10600394	Ic-voet 8 pins (vork-contact)	8.0000	st
10300200	Instelpot 25-turn 20k H T93YB	8.0000	st
10200030	Print VUD/a (VU-driver)	8.0000	st
10350736	Weerstand 3k9 5% 1/4W	8.0000	st
10350705	Weerstand 10E 5% 1/4W	16.0000	st
10350741	Weerstand 10k 5% 1/4W	8.0000	st
10700671	Bout M 4 x 10 inbus verz zwart	16.0000	st
10600166	Conn: 4p wired: 1=bl/gr/rd/blu	8.0000	st
10600111	Connector sub-D + kap mal 25p	4.0000	st
10100026	Front 9.5" VU-meter anal.2HE/b	4.0000	st
10500006	Isolatiekous 6.0mm rond (grys)	260.0000	cm
10500683	Krimpous 3.2mm RNF-100 1/8"zw	48.0000	cm
20850130	Print bestukt VUD (VU-driver)	8.0000	st
10951001	VU meter AL29-WF / 24v lamp	8.0000	st
10650449	Bandkabel 25p (R 1.27)	40.0000	cm
10700671	Bout M 4 x 10 inbus verz zwart	16.0000	st
10600174	Conn: 4p wired: 402-04/2*20cm	4.0000	st
10600169	Conn: 4p wired:1=blk/grn/rd/bl	8.0000	st
10600465	Connector krimpcontact 2.54	10.0000	st
10600110	Connector sub-D + kap fem 25p	1.0000	st
10600113	Connector sub-D bandkb.fem 25p	4.0000	st
10600112	Connector sub-D bandkb.mal 25p	2.0000	st
10500005	Isolatiekous 5.0mm rond (grys)	90.0000	cm
10600007	Kabelschoen + boutgat M3 rood	16.0000	st
10700625	Kartelring M 3 (buitenvertan)	16.0000	st
10150039	Kast Vu-meter 19"(opbouw)/b	2.0000	st
10500683	Krimpous 3.2mm RNF-100 1/8"zw	30.0000	cm
10700610	Moer M 3	16.0000	st
10700616	Tapitite M3x10 bolkopozidr/zw.	16.0000	st
10700786	Tapitite M3x5 verzkop/pozidr/zw	8.0000	st
10700787	Tapitite M3x6 bolkopozidr/zwrt	32.0000	st
10700620	Zeskant tap SUB D + moer	2.0000	st

### 60882734 Vision 10xVU meterbridge

Articlecode	Description	Quantity	Unit
10400213	Condensator ker 10p R2.5	10.0000	st
10401241	Condensator ker 100nF/50V R5 T	20.0000	st
10400287	Elco 47uF / 25V radiaal R5.0	20.0000	st
10600512	Header 4P lock straight(R2.54)	20.0000	st
10250303	Ic TL-071 CN TI (single-opamp)	10.0000	st
10600394	Ic-voet 8 pins (vork-contact)	10.0000	st

10300200	Instelpot 25-turn 20k H T93YB	10.0000	st
10200030	Print VUD/a (VU-driver)	10.0000	st
10350736	Weerstand 3k9 5% 1/4W	10.0000	st
10350705	Weerstand 10E 5% 1/4W	20.0000	st
10350741	Weerstand 10k 5% 1/4W	10.0000	st
10700671	Bout M 4 x 10 inbus verz zwart	20.0000	st
10600166	Conn: 4p wired: 1=bl/gr/rd/blu	10.0000	st
10600111	Connector sub-D + kap mal 25p	5.0000	st
10100026	Front 9.5" VU-meter anal.2HE/b	5.0000	st
10500006	Isolatiekous 6.0mm rond (grys)	325.0000	cm
10500683	Krimpous 3.2mm RNF-100 1/8"zw	60.0000	cm
20850130	Print bestukt VUD (VU-driver)	10.0000	st
10951001	VU meter AL29-WF / 24v lamp	10.0000	st
10650449	Bandkabel 25p (R 1.27)	40.0000	cm
10700671	Bout M 4 x 10 inbus verz zwart	24.0000	st
10600169	Conn: 4p wired:1=blk/grn/rd/bl	10.0000	st
10600113	Connector sub-D bandkb.fem 25p	1.0000	st
10600112	Connector sub-D bandkb.mal 25p	2.0000	st
10100013	Front 9.5" Blindplaat/c	2.0000	st
10150039	Kast Vu-meter 19"(opbouw)/b	3.0000	st
10100008	Montageplaat 9.5"	1.0000	st
10700616	Tapitite M3x10 bolkopozidr/zw.	24.0000	st
10700786	Tapitite M3x5 verzkop/pozidr/zw	8.0000	st
10700787	Tapitite M3x6 bolkopozidr/zwrt	18.0000	st

### 60882775 Vision frame-19" (14posities)

Articlecode	Description	Quantity	Unit
10350517	Weerstand 0E 5% 1/4W	3.0000	st
10700928	Bout M 3 x 16 rvs	4.0000	st
10250347	Brugcel B250-C3700/2200 rechth	2.0000	st
10250345	Brugcel B80C1000 (rond)	1.0000	st
10401241	Condensator ker 100nF/50V R5 T	3.0000	st
10600447	Connector chass 809-D 8P8C	1.0000	st
10600114	Connector chassis DIN fem 5p	3.0000	st
10250343	Diode 1N4004 (rectifier)	8.0000	st
10400284	Elco 10uF / 40V radiaal R5.0	1.0000	st
10400292	Elco 100uF / 25V radiaal R5.0	4.0000	st
10400302	Elco 100uF / 63V radiaal R5.0	1.0000	st
10400272	Elco 2200uF / 63V axiaal	2.0000	st
10400300	Elco 4700uF / 50V axiaal	2.0000	st
10600140	Header haaks 34p (raster 2.54)	2.0000	st
10600450	Header recht 8p (raster 3.96)	1.0000	st
10250019	Ic LM-350 TO3 (volt.reg)	2.0000	st
10250020	Ic TL-783 TO220 (high voltreg)	1.0000	st
10300201	Instelpot 25-turn 1k H T93YB	2.0000	st
10600530	Jack chassis break (slimline)	5.0000	st
10700625	Kartelring M 3 (buitenvertan)	8.0000	st
10720664	Koelblok KL-135 75mm TO-3 zwrt	2.0000	st
10720659	Koelprof KL-176/SW hoed	2.0000	st
10700610	Moer M 3	4.0000	st
10700611	Pognagel 3.0 x 6.5 blank	8.0000	st
10200610	Print Aircom- 9c (powersupply)	1.0000	st
10201017	Print Vision80C (mstr i/o)	1.0000	st
10350835	Weerstand 2k00 1% 1/4W	2.0000	st
10350842	Weerstand 3k01 1% 1/4W	1.0000	st
10350742	Weerstand 12k 5% 1/4W	2.0000	st
10350715	Weerstand 68E 5% 1/4W	2.0000	st
10350716	Weerstand 82E 5% 1/4W	1.0000	st
10350720	Weerstand 180E 5% 1/4W	2.0000	st
10600798	XLR chass mal 3p pl.zw X906-02	3.0000	st
10101017	Achterplaat Vision17d (master)	1.0000	st
10700638	Afstandsbus M 3 x 10mm	6.0000	st
10650448	Bandkabel 20p (R 1.27)	45.0000	cm
10650159	Bandkabel 34p (R 1.27)	80.0000	cm
10650451	Bandkabel 64p (R 1.27)	200.0000	cm
10700778	Bout M 3 x 16 zwart	2.0000	st
10600169	Conn: 4p wired:1=blk/grn/rd/bl	2.0000	st
10600470	Connector bandkabel female 20p	3.0000	st
10600132	Connector bandkabel female 34p	4.0000	st
10600133	Connector bandkabel female 64p	14.0000	st
10600471	Crimp contact 406 series tin	6.0000	st
10700975	Dubbelzijdig plakband 12mm dun	88.0000	cm
10101067	Front Tekststrook Clubmix 7A	1.0000	st
10500004	Isolatiekous 4.0mm rond (grys)	90.0000	cm
10500006	Isolatiekous 6.0mm rond (grys)	65.0000	cm
10500705	Isolatieplaat midi mute PVC	2.0000	st
10600432	Jack chassis break	1.0000	st
10600007	Kabelschoen + boutgat M3 rood	1.0000	st

# D&R Electronica Weesp BV (VISION PARTLIST) DATE: 04-05-1998

## 60882775 Vision frame-19" (14posities)

Articlecode	Description	Quantity	Unit
10600013	Kabelschoen stiftouder blauw	4.0000	st
10700625	Kartelring M 3 (buitenvertan)	2.0000	st
10700910	Kartelring M5 (buitenvertan)	1.0000	st
10150035	Kast Vision-19"D (14 modules)	1.0000	st
10500683	Krimpous 3.2mm RNF-100 1/8"zw	10.0000	cm
10700007	Magneetstrip 8.5mm x 3mm	88.0000	cm
10600701	Mains inlet SKT MS3 + FR MS3	1.0000	st
10700610	Moer M 3	8.0000	st
10700909	Moer M5	1.0000	st
10650374	Montagedraad 0.4 mm2 (geel)	40.0000	cm
10650375	Montagedraad 0.4 mm2 (groen)	10.0000	cm
10650371	Montagedraad 0.4 mm2 (rood)	40.0000	cm
10650383	Montagedraad 1.5mm2 (blauw)	40.0000	cm
10650384	Montagedraad 1.5mm2 (grijs)	40.0000	cm
10650385	Montagedraad 1.5mm2 (rood)	40.0000	cm
10650386	Montagedraad 1.5mm2 (zwart)	40.0000	cm
10550020	Netschak. small black no lamp	1.0000	st
10700656	Plakvoet bouton zwart (10x10)	4.0000	st
10700690	Platstaf 25 x 10 x 10mm	2.0000	st
10700611	Popnagel 3.0 x 6.5 blank	4.0000	st
20850029	Print bestukt Aircom- 9 (ps)	1.0000	st
20851017	Print bestukt Vision80 ( i/o )	1.0000	st
10950879	Ringk 80VA/2x19/1x30+Mu+kern	1.0000	st
10700787	Tapitie M3x6 bolkopozidr/zwr	18.0000	st
10700681	Tywrap kort 94 mm blank	1.0000	st
10700675	Tywrap plakzadel ---- 28x28 mm	1.0000	st
10990650	Zekering 1.0 A slow 5 x 20mm	2.0000	st

## 60882776 Vision frame-46 (48posities)

Articlecode	Description	Quantity	Unit
10600447	Connector chass 809-D 8P8C	1.0000	st
10600114	Connector chassis DIN fem 5p	3.0000	st
10600140	Header haaks 34p (raster 2.54)	2.0000	st
10600530	Jack chassis break (slimline)	5.0000	st
10201017	Print Vision80C (mstr i/o)	1.0000	st
10350715	Weerstand 68E 5% 1/4W	2.0000	st
10600798	XLR chass mal 3p pl.zw X906-02	3.0000	st
10101017	Achterplaat Vision17d (master)	1.0000	st
10101018	Achterplaat Vision18a (blind)	2.0000	st
10650448	Bandkabel 20p (R 1.27)	45.0000	cm
10650159	Bandkabel 34p (R 1.27)	80.0000	cm
10650451	Bandkabel 64p (R 1.27)	345.0000	cm
10600470	Connector bandkabel female 20p	3.0000	st
10600132	Connector bandkabel female 34p	4.0000	st
10600133	Connector bandkabel female 64p	46.0000	st
10600525	Connector chass speakon 4p.zw.	1.0000	st
10700975	Dubbelzijdig plakband 12mm dun	148.0000	cm
10101010	Front Vision10a (blind)	2.0000	st
10600013	Kabelschoen stiftouder blauw	4.0000	st
10700625	Kartelring M 3 (buitenvertan)	8.0000	st
10150036	Kast Vision 46/C (48 posities)	1.0000	st
10700007	Magneetstrip 8.5mm x 3mm	298.0000	cm
10700610	Moer M 3	8.0000	st
10650490	Montagedraad 2.5 mm2 (blauw)	50.0000	cm
10650103	Montagedraad 2.5 mm2 (grijs)	50.0000	cm
10650100	Montagedraad 2.5 mm2 (rood)	50.0000	cm
10650104	Montagedraad 2.5 mm2 (zwart)	50.0000	cm
10700690	Platstaf 25 x 10 x 10mm	2.0000	st
10700611	Popnagel 3.0 x 6.5 blank	4.0000	st
20851017	Print bestukt Vision80 ( i/o )	1.0000	st
10100682	Schrijfstrook 2800x28x3mm 62st	156.0000	cm
10700700	Schroef spaanplaat 4.5 x 30	10.0000	st
10700616	Tapitie M3x10 bolkopozidr/zw.	10.0000	st
10700787	Tapitie M3x6 bolkopozidr/zwr	26.0000	st
10750066	Voorbalk Vision-46 (48modules)	1.0000	st
10750065	Zijkant Vision/b (L + R)	1.0000	s01

## 60882777 Vision frame-30 (32posities)

Articlecode	Description	Quantity	Unit
10600447	Connector chass 809-D 8P8C	1.0000	st
10600114	Connector chassis DIN fem 5p	3.0000	st
10600140	Header haaks 34p (raster 2.54)	2.0000	st
10600530	Jack chassis break (slimline)	5.0000	st
10201017	Print Vision80C (mstr i/o)	1.0000	st
10350715	Weerstand 68E 5% 1/4W	2.0000	st
10600798	XLR chass mal 3p pl.zw X906-02	3.0000	st
10101017	Achterplaat Vision17d (master)	1.0000	st
10101018	Achterplaat Vision18a (blind)	2.0000	st
10650448	Bandkabel 20p (R 1.27)	45.0000	cm

10650159	Bandkabel 34p (R 1.27)	80.0000	cm
10650451	Bandkabel 64p (R 1.27)	435.0000	cm
10700288	Bout M 3 x 12 verzonken zwart	2.0000	st
10600470	Connector bandkabel female 20p	3.0000	st
10600132	Connector bandkabel female 34p	4.0000	st
10600133	Connector bandkabel female 64p	30.0000	st
10600525	Connector chass speakon 4p.zw.	1.0000	st
10700975	Dubbelzijdig plakband 12mm dun	198.0000	cm
10101010	Front Vision10a (blind)	2.0000	st
10600013	Kabelschoen stiftouder blauw	4.0000	st
10150037	Kast Vision 30/c (32 posities)	1.0000	st
10500682	Krimpous 6 mm (rond)	10.0000	cm
10700007	Magneetstrip 8.5mm x 3mm	198.0000	cm
10650383	Montagedraad 1.5mm2 (blauw)	60.0000	cm
10650384	Montagedraad 1.5mm2 (grijs)	60.0000	cm
10650385	Montagedraad 1.5mm2 (rood)	60.0000	cm
10650386	Montagedraad 1.5mm2 (zwart)	60.0000	cm
10700603	Parker 2.9 x 9 zwart	4.0000	st
10700690	Platstaf 25 x 10 x 10mm	2.0000	st
10700611	Popnagel 3.0 x 6.5 blank	4.0000	st
20851017	Print bestukt Vision80 ( i/o )	1.0000	st
10700009	Rubber neopreenband 30 x 2 mm	15.0000	cm
10100682	Schrijfstrook 2800x28x3mm 62st	99.0000	cm
10700700	Schroef spaanplaat 4.5 x 30	10.0000	st
10700787	Tapitie M3x6 bolkopozidr/zwr	26.0000	st
10700681	Tywrap kort 94 mm blank	3.0000	st
10750067	Voorbalk Vision-30 (32modules)	1.0000	st
10750065	Zijkant Vision/b (L + R)	1.0000	s01

## 60882778 Vision frame-38 (40posities)

Articlecode	Description	Quantity	Unit
10600447	Connector chass 809-D 8P8C	1.0000	st
10600114	Connector chassis DIN fem 5p	3.0000	st
10600140	Header haaks 34p (raster 2.54)	2.0000	st
10600530	Jack chassis break (slimline)	5.0000	st
10201017	Print Vision80C (mstr i/o)	1.0000	st
10350715	Weerstand 68E 5% 1/4W	2.0000	st
10600798	XLR chass mal 3p pl.zw X906-02	3.0000	st
10101017	Achterplaat Vision17d (master)	1.0000	st
10101018	Achterplaat Vision18a (blind)	2.0000	st
10650448	Bandkabel 20p (R 1.27)	45.0000	cm
10650159	Bandkabel 34p (R 1.27)	80.0000	cm
10650451	Bandkabel 64p (R 1.27)	555.0000	cm
10700288	Bout M 3 x 12 verzonken zwart	2.0000	st
10600470	Connector bandkabel female 20p	3.0000	st
10600132	Connector bandkabel female 34p	4.0000	st
10600133	Connector bandkabel female 64p	38.0000	st
10600525	Connector chass speakon 4p.zw.	1.0000	st
10700975	Dubbelzijdig plakband 12mm dun	248.0000	cm
10101010	Front Vision10a (blind)	2.0000	st
10600013	Kabelschoen stiftouder blauw	4.0000	st
10150038	Kast Vision 38/c (40 posities)	1.0000	st
10500682	Krimpous 6 mm (rond)	10.0000	cm
10700007	Magneetstrip 8.5mm x 3mm	248.0000	cm
10650383	Montagedraad 1.5mm2 (blauw)	60.0000	cm
10650384	Montagedraad 1.5mm2 (grijs)	60.0000	cm
10650385	Montagedraad 1.5mm2 (rood)	60.0000	cm
10650386	Montagedraad 1.5mm2 (zwart)	60.0000	cm
10700603	Parker 2.9 x 9 zwart	5.0000	st
10700690	Platstaf 25 x 10 x 10mm	2.0000	st
10700611	Popnagel 3.0 x 6.5 blank	4.0000	st
20851017	Print bestukt Vision80 ( i/o )	1.0000	st
10100682	Schrijfstrook 2800x28x3mm 62st	124.0000	cm
10700700	Schroef spaanplaat 4.5 x 30	10.0000	st
10700787	Tapitie M3x6 bolkopozidr/zwr	26.0000	st
10700681	Tywrap kort 94 mm blank	3.0000	st
10750068	Voorbalk Vision-38 (40modules)	1.0000	st
10750065	Zijkant Vision/b (L + R)	1.0000	s01

# D&R Electronica Weesp BV (VISION PARTLIST) DATE: 04-05-1998

60889535 Voeding 2HE 19" 300VA TIP

Articlecode	Description	Quantity	Unit
10250345	Brugcel B80C1000 (rond)	1.0000	st
10401241	Condensator ker 100nF/50V R5 T	9.0000	st
10401246	Condensator poly 1n0 R5.0	2.0000	st
10600180	Connector metaansklem 2p 5mm	2.0000	st
10250343	Diode 1N4004 (rectifier)	6.0000	st
10400284	Elco 10uF / 40V radiaal R5.0	1.0000	st
10400292	Elco 100uF / 25V radiaal R5.0	10.0000	st
10400302	Elco 100uF / 63V radiaal R5.0	1.0000	st
10400293	Elco 220uF / 63V radiaal R5.0	2.0000	st
10400304	Elco 2200uF / 35V radiaal R7.5	2.0000	st
10400300	Elco 4700uF / 50V axiaal	8.0000	st
10600510	Header 2p Lock straight(R 2.54)	2.0000	st
10600512	Header 4P lock straight(R2.54)	2.0000	st
10600151	Header recht 1p opsteekkontkt	8.0000	st
10250313	Ic 723 dil-14 (volt.reg.)	2.0000	st
10250322	Ic 7818 TO220 SGS (volt.reg)	2.0000	st
10250020	Ic TL-783 TO220 (high voltreg)	1.0000	st
10600395	Ic-voet 14 pins (vork-contact)	2.0000	st
10300201	Instelpot 25-turm 1k H T93YB	2.0000	st
10720662	Koelprof KL-169/SW TO-220	1.0000	st
10201150	Print PS300/a 2HE	1.0000	st
10250334	Transistor BD-237 (npn)	2.0000	st
10350785	Weerstand 0.15E 5W	4.0000	st
10350517	Weerstand 0E 5% 1/4W	7.0000	st
10350729	Weerstand 1k0 5% 1/4W	4.0000	st
10350731	Weerstand 1k5 5% 1/4W	2.0000	st
10350732	Weerstand 1k8 5% 1/4W	2.0000	st
10350733	Weerstand 2k2 5% 1/4W	2.0000	st
10350734	Weerstand 2k7 5% 1/4W	2.0000	st
10350737	Weerstand 4k7 5% 1/4W	1.0000	st
10350738	Weerstand 5k6 5% 1/4W	2.0000	st
10350741	Weerstand 10k 5% 1/4W	2.0000	st
10350716	Weerstand 82E 5% 1/4W	1.0000	st
10990675	Zekeringhouder print + kap	2.0000	st
10250360	Zenerdiode 4V3 / 400mW	2.0000	st
10700654	Afstandhouder zeskant+tap 6mm	3.0000	st
10700928	Bout M 3 x 16 rvs	4.0000	st
10700905	Bout M 4 x 10 zwart	20.0000	st
10700671	Bout M 4 x 10 inbus verz zwart	4.0000	st
10700295	Bout M 6 x 70 tapbout zwart	1.0000	st
10250315	Brugcel 010-125-25A (vierkant)	2.0000	st
10600160	Conn 2p wired 1=black 2=green	2.0000	st
10600174	Conn: 4p wired: 402-04/2"20cm	1.0000	st
10600526	Connector plug speakon 4p.zw.	1.0000	st
10500962	Isolatiebus TO-3NYLON	4.0000	st
10500665	Isolatieplaat TOP/3 (TIP-3055)	4.0000	st
10500705	Isolatieplaat midi mute PVC	1.0000	st
10650496	Kabel 4 x 2.50 mm2 (zwart)	600.0000	cm
10600007	Kabelschoen + boutgat M3 rood	1.0000	st
10700625	Kartelring M 3 (buitenvertan)	6.0000	st
10700422	Kartelring M 4 (buitenvertan)	12.0000	st
10700912	Kartelring M 6 (buitenvertan)	2.0000	st
10150927	Kast Voeding 2HE/A (TIP3055)	1.0000	st
10720664	Koelblok KL-135 75mm TO-3 zwrt	4.0000	st
10500682	Krimpkous 6 mm (rond)	36.0000	cm
10500684	Krimpkous 38 mm RNF100-1.5" zw	5.0000	cm
10600701	Mains inlet SKT MS3 + FR MS3	1.0000	st
10700610	Moer M 3	10.0000	st
10700692	Moer M 4	12.0000	st
10700931	Moer M 6	1.0000	st
10700909	Moer M5	2.0000	st
10650385	Montagedraad 1.5mm2 (rood)	50.0000	cm
10650490	Montagedraad 2.5 mm2 (blauw)	50.0000	cm
10650100	Montagedraad 2.5 mm2 (rood)	50.0000	cm
10650105	Montagedraad 2.5 mm2 geel/grn	55.0000	cm
10600498	Netsnoer 3 aders euroconnector	1.0000	st
10700690	Platstaf 25 x 10 x 10mm	4.0000	st
10700611	Popnagel 3.0 x 6.5 blank	4.0000	st
20851150	Print bestukt PS300 2HE	1.0000	st
10950599	Ringk 300VA/2x21/1x48volt	1.0000	st
10550003	Schakelaar Wip 220V + neonlamp	1.0000	st
10700292	Taptit M3X10 verzkop/pozidr/zw	2.0000	st
10700616	Taptite M3x10 bolkoppozidr/zw.	2.0000	st
10250426	Transistor TIP3055 TO-220(npn)	4.0000	st
10700658	Trekontlasting 19m rond recht	1.0000	st
10990653	Zekering 3.15 A slow 5 x 20mm	1.0000	st